



US00D727807S

(12) **United States Design Patent**  
**Schroeder et al.**

(10) **Patent No.:** **US D727,807 S**  
(45) **Date of Patent:** **\*\* Apr. 28, 2015**

(54) **HOOD FOR AN ALL-TERRAIN VEHICLE**

(71) Applicants: **Anthony Schroeder**, Huntington Beach, CA (US); **Eric Chin**, Irvine, CA (US); **Erik Dunshee**, Torrance, CA (US); **Shinji Nagano**, Tokyo (JP)

(72) Inventors: **Anthony Schroeder**, Huntington Beach, CA (US); **Eric Chin**, Irvine, CA (US); **Erik Dunshee**, Torrance, CA (US); **Shinji Nagano**, Tokyo (JP)

(73) Assignee: **Honda Motor Co., Ltd.**, Tokyo (JP)

(\*\*) Term: **14 Years**

(21) Appl. No.: **29/490,706**

(22) Filed: **May 13, 2014**

(51) **LOC (10) Cl.** ..... **12-16**

(52) **U.S. Cl.**  
USPC ..... **D12/173**

(58) **Field of Classification Search**  
CPC .. B60R 21/34; B60R 2021/343; B62D 25/10; B62D 25/105; B62D 29/005; B62D 29/043  
USPC ..... D12/86, 90, 91, 92, 173, 196; 180/69.2, 180/69.21, 69.22

See application file for complete search history.

(56) **References Cited**

**U.S. PATENT DOCUMENTS**

5,215,343	A	6/1993	Fortune	
D388,042	S	12/1997	Thorne et al.	
D405,408	S	2/1999	Yoshida et al.	
D410,879	S	6/1999	Orth, Sr.	
D419,936	S	2/2000	Sacco et al.	
D420,962	S	2/2000	Chevalier	
D425,462	S	5/2000	Ujii	
D437,270	S *	2/2001	Yokomaku	D12/173
D472,854	S	4/2003	Weber et al.	
6,612,595	B1	9/2003	Storer	
D485,219	S	1/2004	Hamm et al.	
6,685,244	B2	2/2004	McCoy et al.	
D512,666	S *	12/2005	Chiang	D12/173

D513,718	S	1/2006	Itaya et al.	
D527,696	S	9/2006	Ichikawa et al.	
D532,348	S	11/2006	Kudo et al.	
D557,642	S	12/2007	Miwa et al.	
D577,640	S	9/2008	Wyszogrod et al.	
D580,322	S	11/2008	Schroeder et al.	
D592,574	S *	5/2009	Larson	D12/173
D599,250	S	9/2009	Hirano	
D606,913	S	12/2009	Robertson	
D609,615	S *	2/2010	Krugger et al.	D12/173
D617,700	S	6/2010	Nishio	
D637,533	S	5/2011	Miyazawa et al.	
D637,539	S	5/2011	Welch et al.	
D641,669	S *	7/2011	Vardis	D12/173

(Continued)

**OTHER PUBLICATIONS**

“Honda—ATV Range”—Honda Brochure—Aug. 12, 2014 [online]—Retrieved on Sep. 1, 2014—Retrieved from the INternet , URL: [http://motorcycles.honda.com.au/brochures/Honda\\_ATV\\_Range.pdf](http://motorcycles.honda.com.au/brochures/Honda_ATV_Range.pdf)>.

(Continued)

*Primary Examiner* — Philip S Hyder

*Assistant Examiner* — Darlington Ly

(74) *Attorney, Agent, or Firm* — Pearne & Gordon LLP

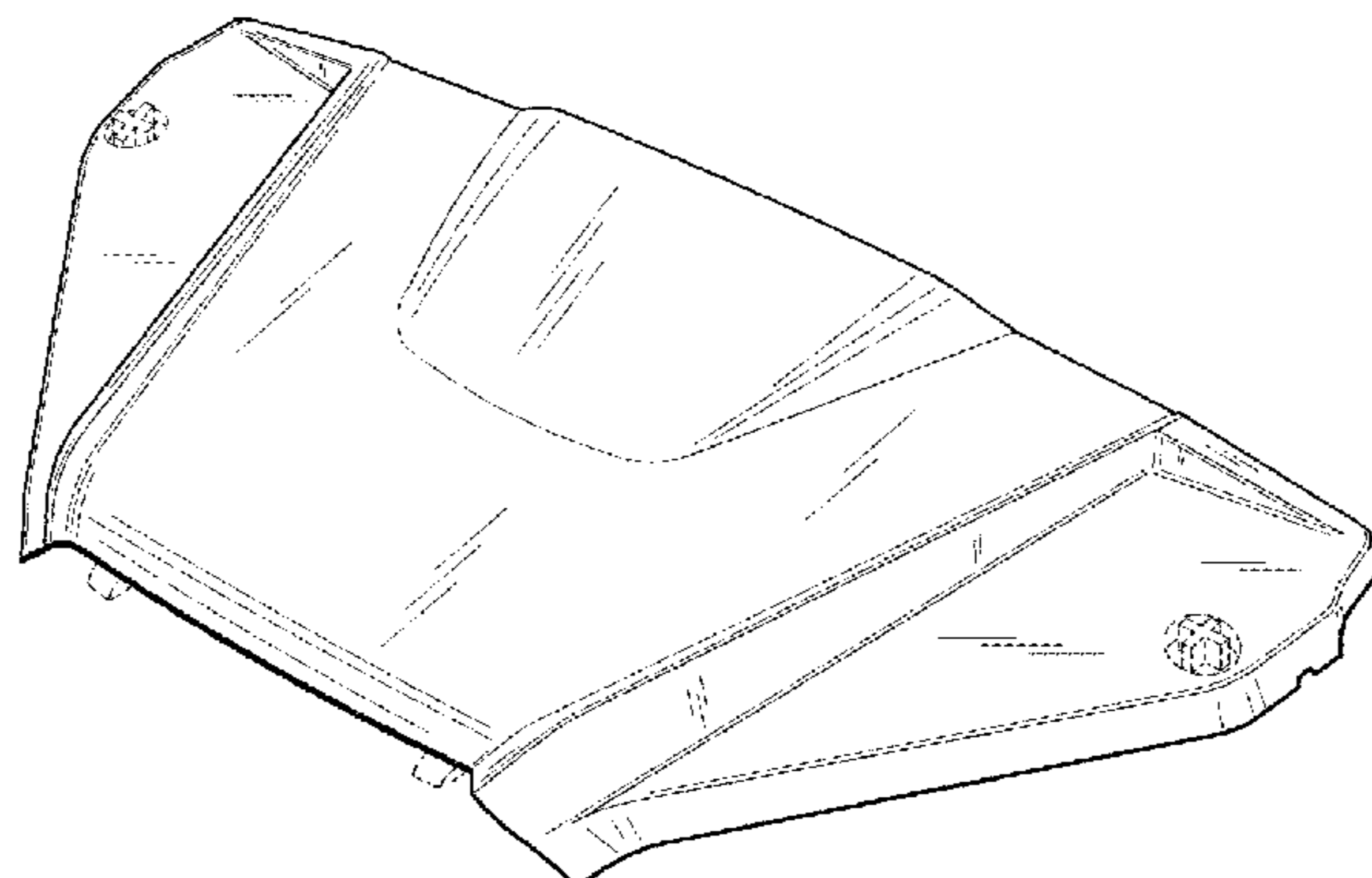
(57) **CLAIM**

The ornamental design for a hood for an all-terrain vehicle, as shown and described.

**DESCRIPTION**

FIG. 1 is a perspective view of our new invention; FIG. 2 is a top view thereof; FIG. 3 is a front view thereof; FIG. 4 is a right view thereof, a left view being a mirror image thereof; FIG. 5 is a bottom view thereof; and, FIG. 6 is a rear view thereof. The broken lines shown in the drawings illustrate portions of the hood for an all-terrain vehicle that forms no part of claimed design.

**1 Claim, 2 Drawing Sheets**



(56)

References Cited

U.S. PATENT DOCUMENTS

D641,672 S 7/2011 Willoughby et al.  
D641,674 S 7/2011 Kim et al.  
D642,099 S 7/2011 Nagao et al.  
D643,350 S 8/2011 Furst  
D643,781 S 8/2011 Nagao et al.  
D669,403 S \* 10/2012 Gifford ..... D12/173  
D669,504 S 10/2012 Higashikawa  
D679,227 S \* 4/2013 Schmeckpeper ..... D12/173  
D682,754 S 5/2013 Robinson  
D691,074 S 10/2013 Dugardin  
D692,812 S \* 11/2013 Harriton ..... D12/173  
D693,753 S 11/2013 Cheung et al.

D694,159 S \* 11/2013 Jung ..... D12/173  
8,678,482 B2 \* 3/2014 O'Brien et al. .... 296/193.11  
D704,610 S 5/2014 Mizuhata et al.  
D707,595 S \* 6/2014 Kavaja ..... D12/173  
2006/0201727 A1 \* 9/2006 Chan ..... 180/69.25  
2013/0187395 A1 7/2013 Hanson et al.  
2014/0319306 A1 \* 10/2014 Massicotte et al. .... 248/503

OTHER PUBLICATIONS

“Polaris—2013 Off-Road Vehicles” —Polaris Brochure—Jul. 30, 2012 [online] —Retrieved on Sep. 1, 2014] —Retrieved from the Internet < URL: <http://cdn.polarisindustries.com/polaris/orv/2013/img/shopping-tools/2013-brochure.pdf>>.

\* cited by examiner

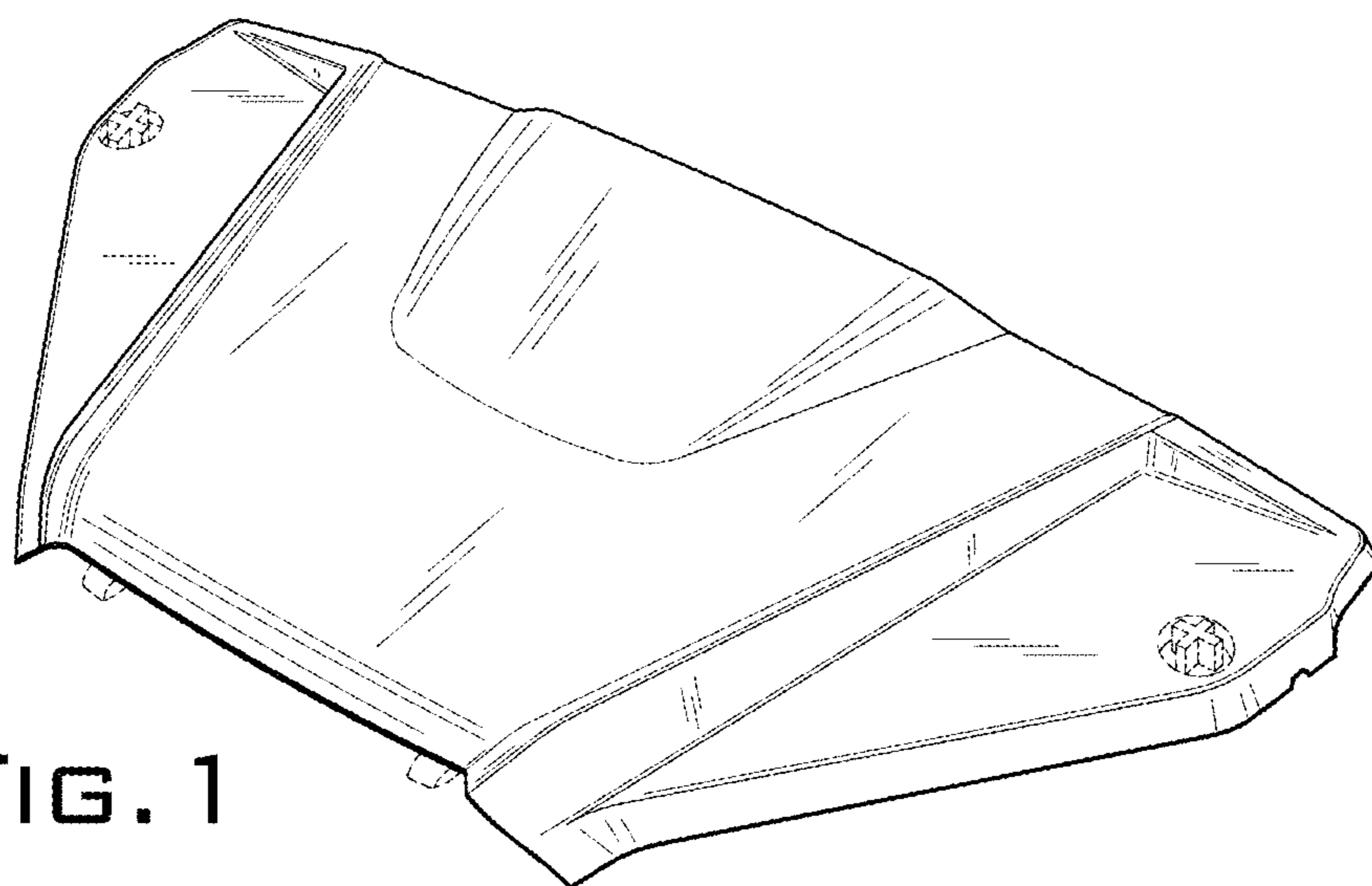


FIG. 1

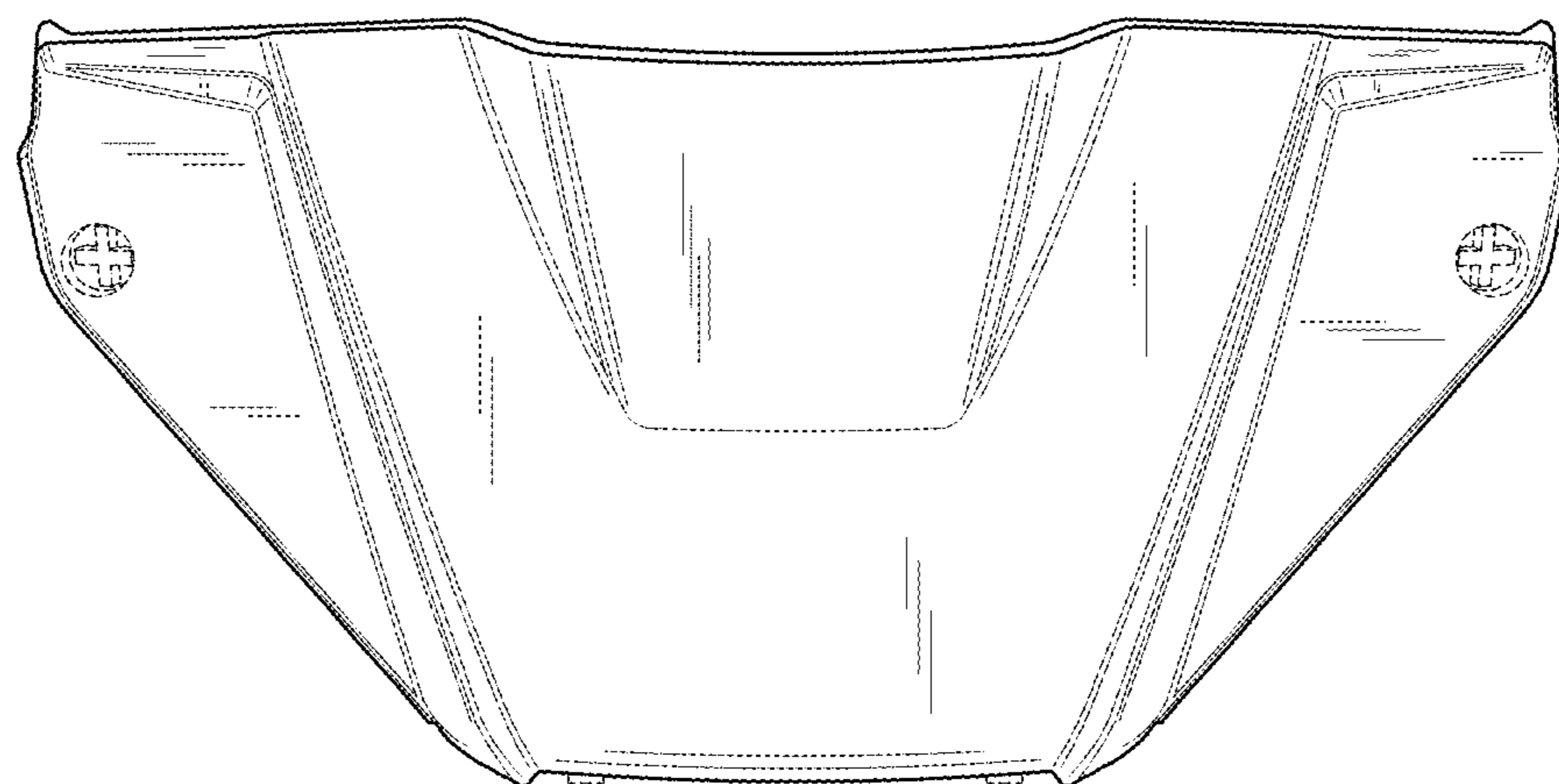


FIG. 2

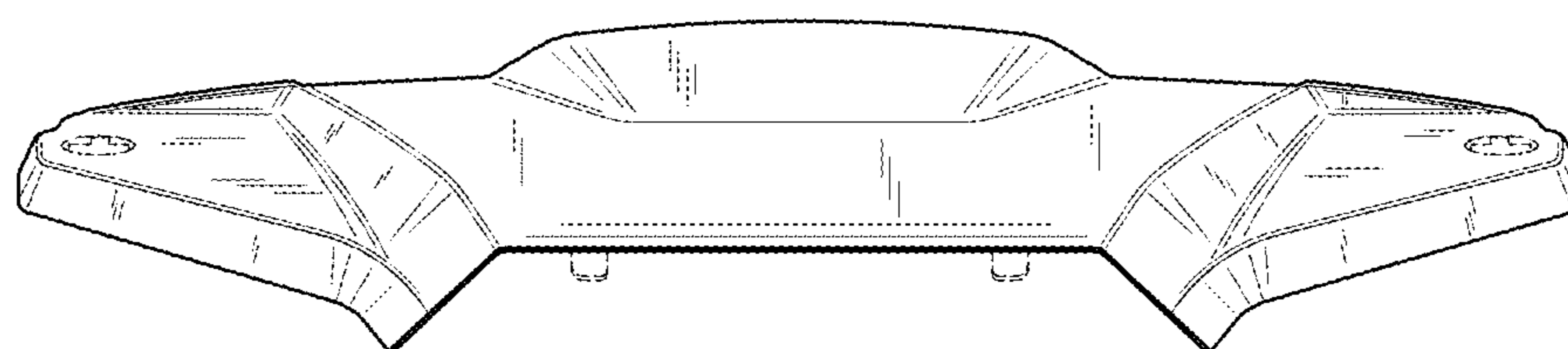


FIG. 3

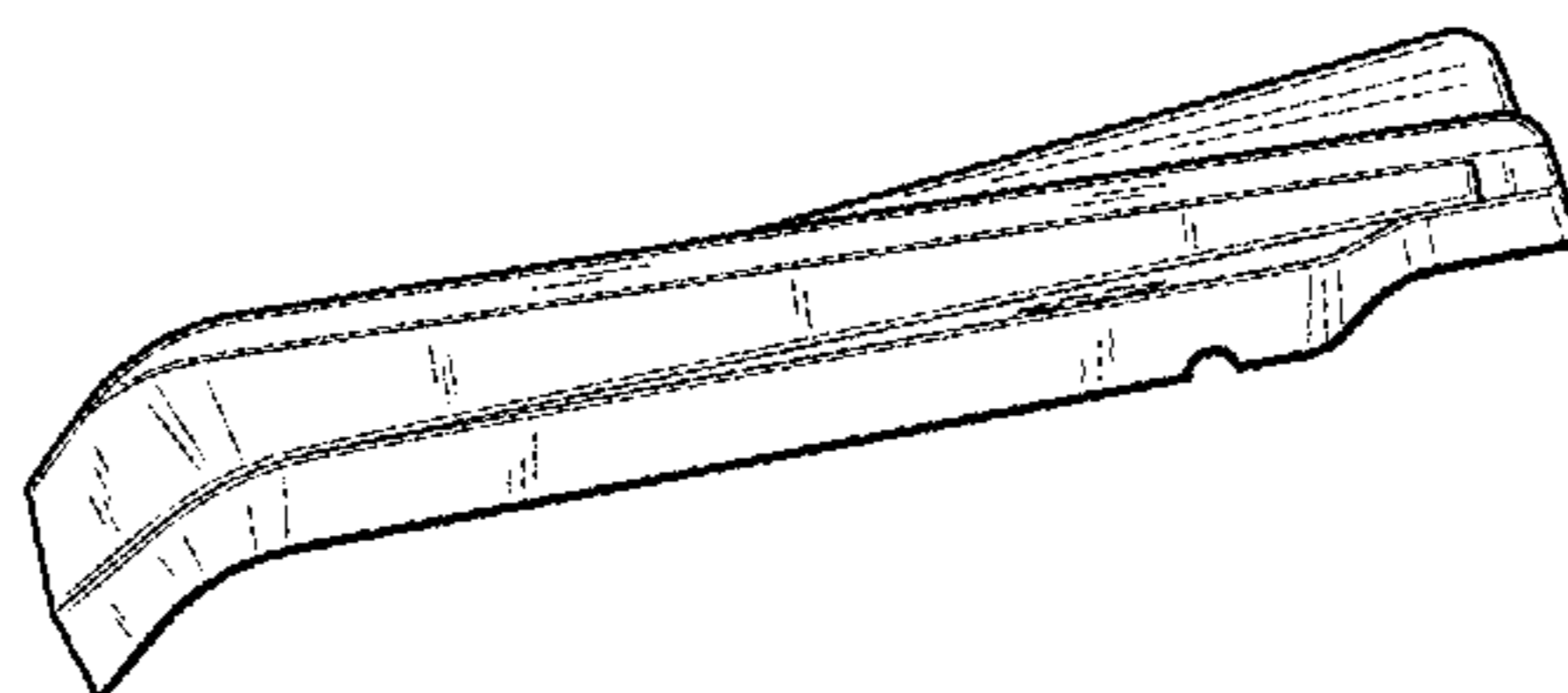


FIG. 4

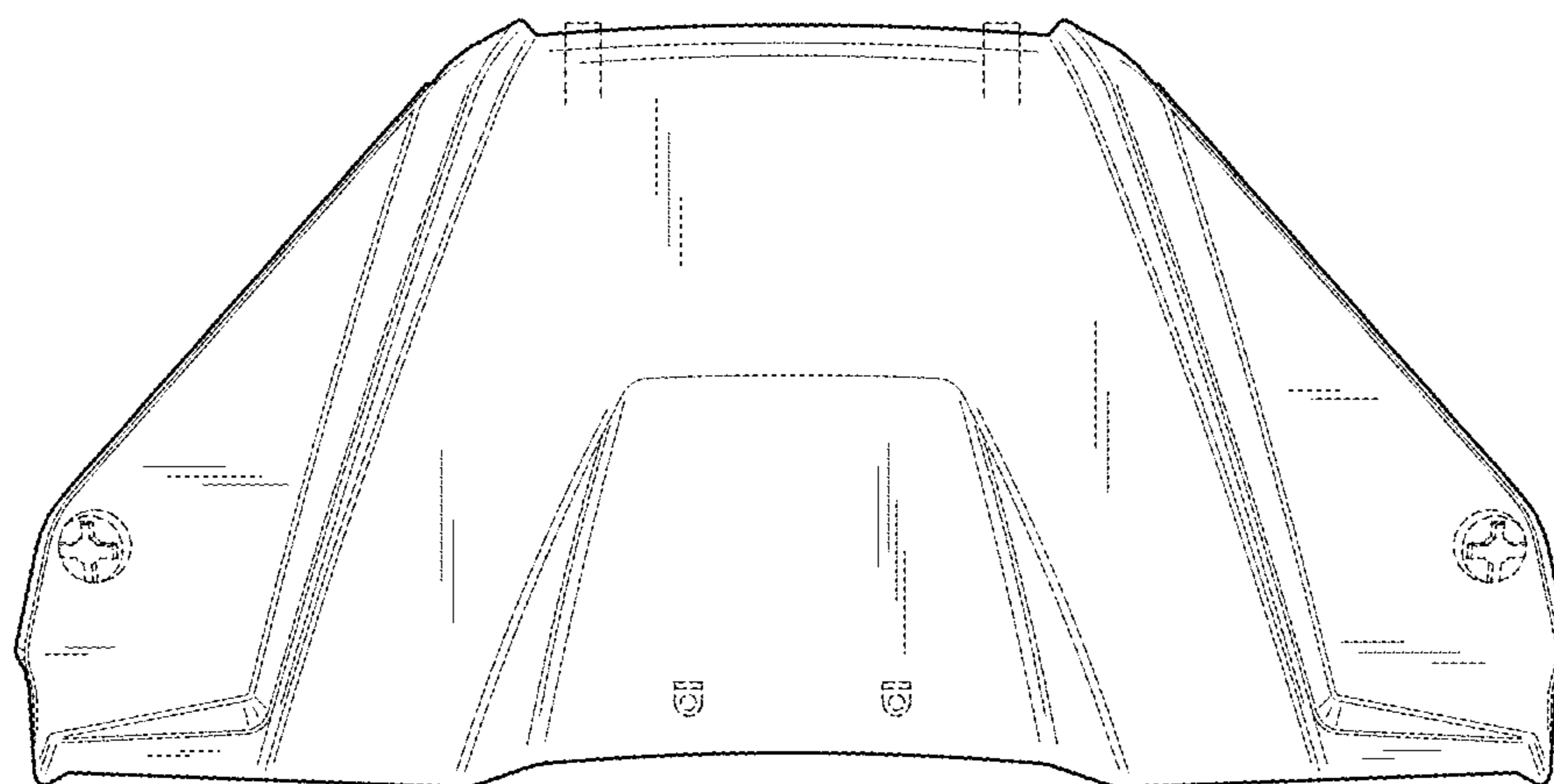


FIG. 5

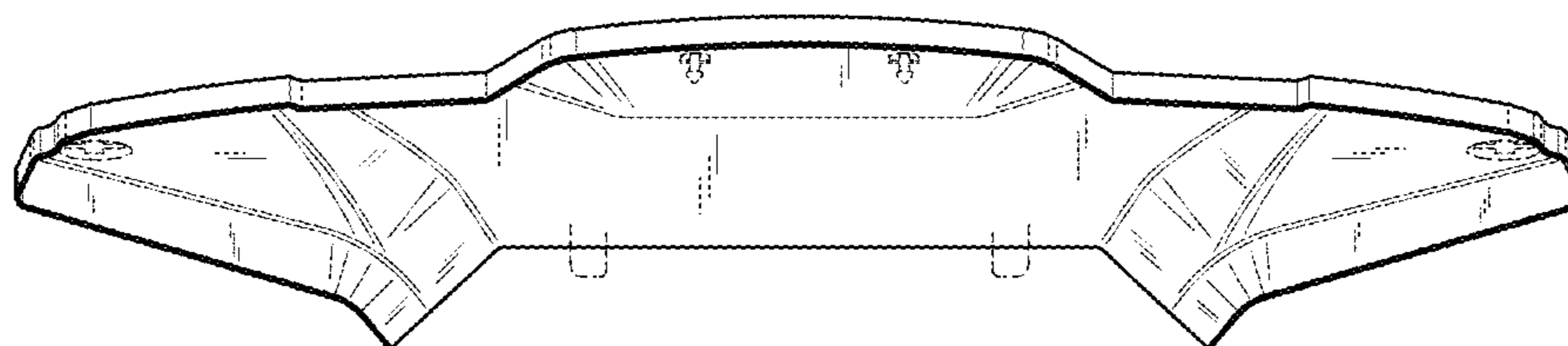


FIG. 6