



US00D727803S

(12) **United States Design Patent**
Borkholder

(10) **Patent No.:** **US D727,803 S**

(45) **Date of Patent:** **** Apr. 28, 2015**

(54) **FLUSH MOUNT MULTI-RECEIVER HITCH**

(56) **References Cited**

(71) Applicant: **Carl Borkholder**, Bremen, IN (US)

U.S. PATENT DOCUMENTS

(72) Inventor: **Carl Borkholder**, Bremen, IN (US)

D576,085	S	*	9/2008	Devlin	D12/162
D591,208	S	*	4/2009	Wubker, Jr.	D12/162
D612,775	S	*	3/2010	Davis	D12/162
D620,403	S	*	7/2010	Blankenship et al.	D12/162
D628,128	S	*	11/2010	Sanders et al.	D12/162
D688,168	S	*	8/2013	Buschman	D12/162
D698,286	S	*	1/2014	Mason	D12/162
D698,287	S	*	1/2014	Terpsma	D12/162

(**) Term: **14 Years**

* cited by examiner

(21) Appl. No.: **29/492,216**

(22) Filed: **May 29, 2014**

Primary Examiner — Katrina A Betton

(51) **LOC (10) Cl.** **12-16**

(74) *Attorney, Agent, or Firm* — Botkin & Hall, LLP

(52) **U.S. Cl.**

USPC **D12/162**

(57) **CLAIM**

(58) **Field of Classification Search**

The ornamental design for a flush mount multi-receiver hitch, as shown and described.

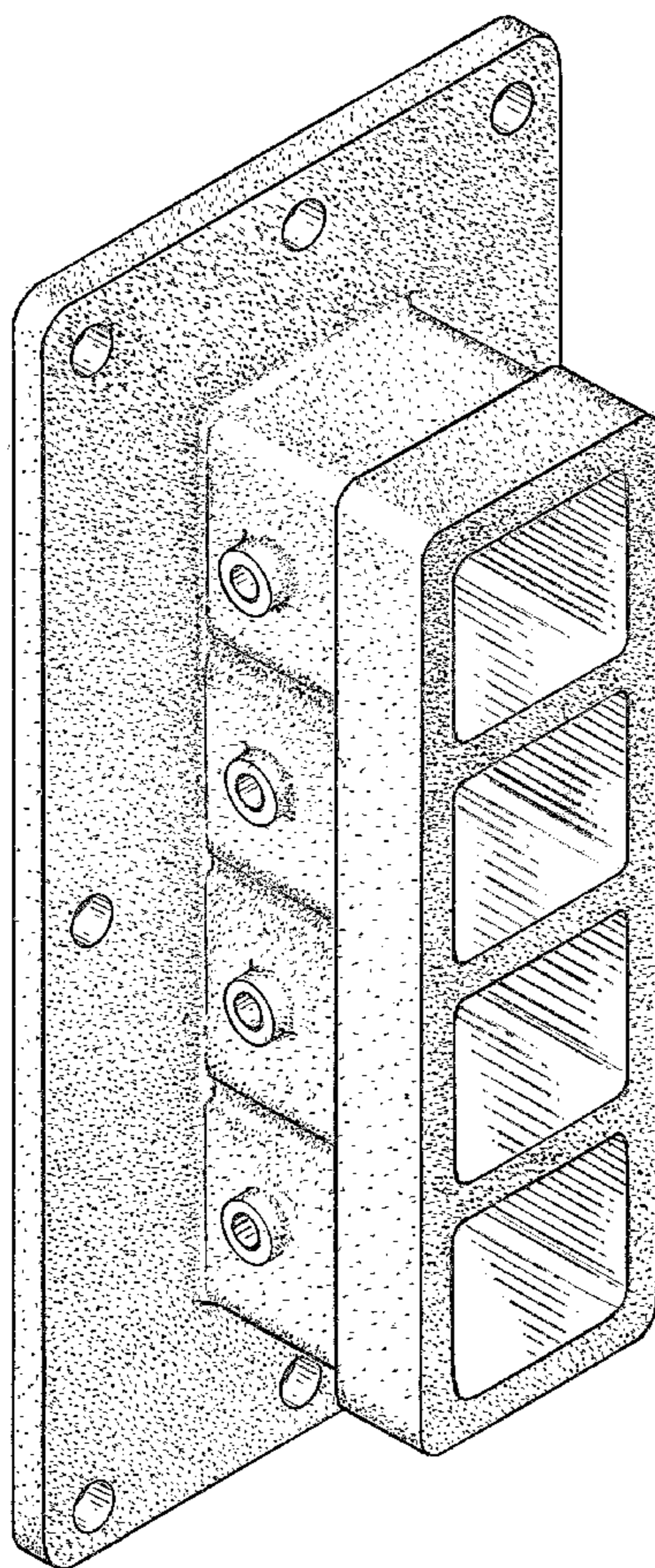
USPC D12/162, 159–161; 56/DIG. 14; 37/399;
 280/406.2, 407, 407.1, 408, 411.1,
 280/416.1–416.3, 418, 418.1, 433, 434,
 280/435, 441.1, 441.2, 455.1, 456.1, 480,
 280/493, 504, 507, 508; 224/42.11, 42.12,
 224/42.14, 42.26, 400, 401, 412, 413, 488,
 224/494, 500–501, 519, 537; 135/88.05;
 150/166

DESCRIPTION

FIG. 1 is a perspective view of the flush mount hitch;
 FIG. 2 is a front view of the flush mount hitch of FIG. 1;
 FIG. 3 is a left side view of the flush mount hitch of FIG. 1, the right side being the same;
 FIG. 4 is a top view of the flush mount hitch of FIG. 1, the bottom being the same; and,
 FIG. 5 is a back view of the flush mount hitch of FIG. 1.

See application file for complete search history.

1 Claim, 3 Drawing Sheets



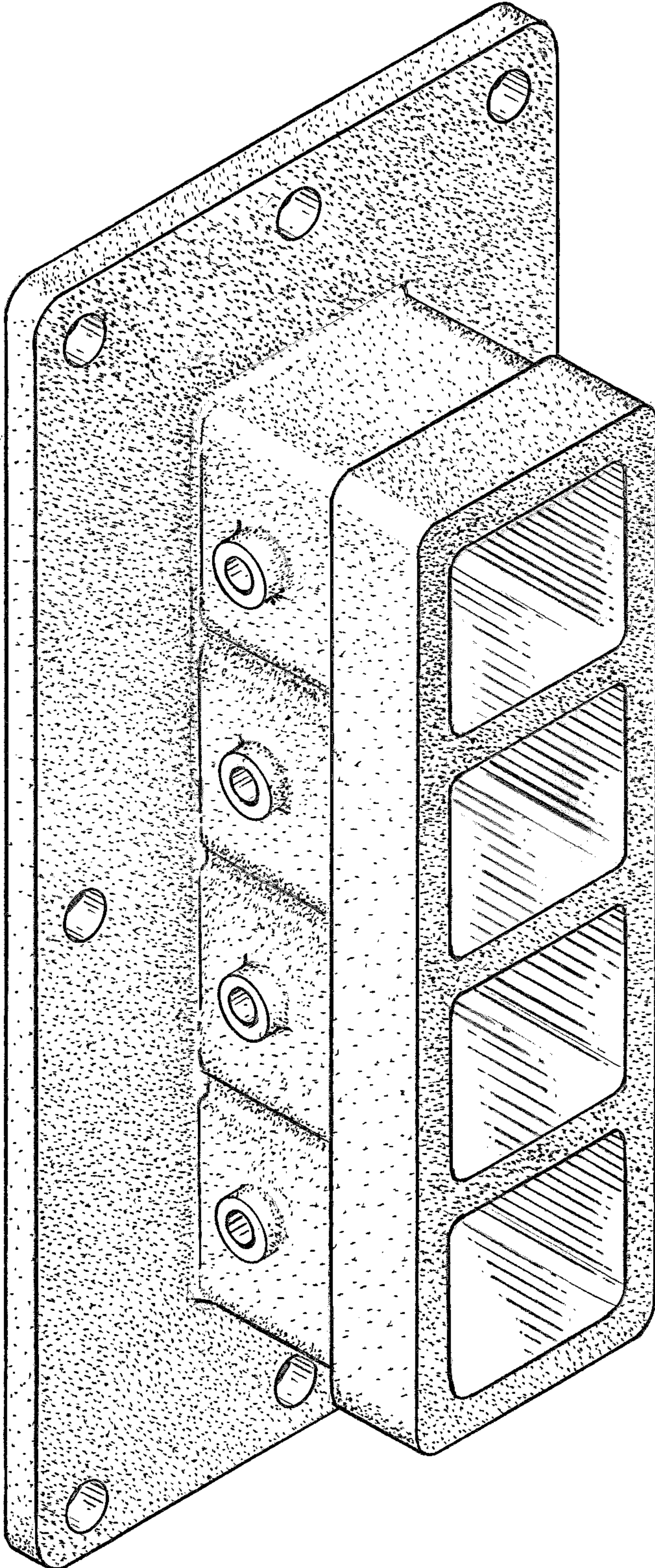


FIG. 1

FIG.2

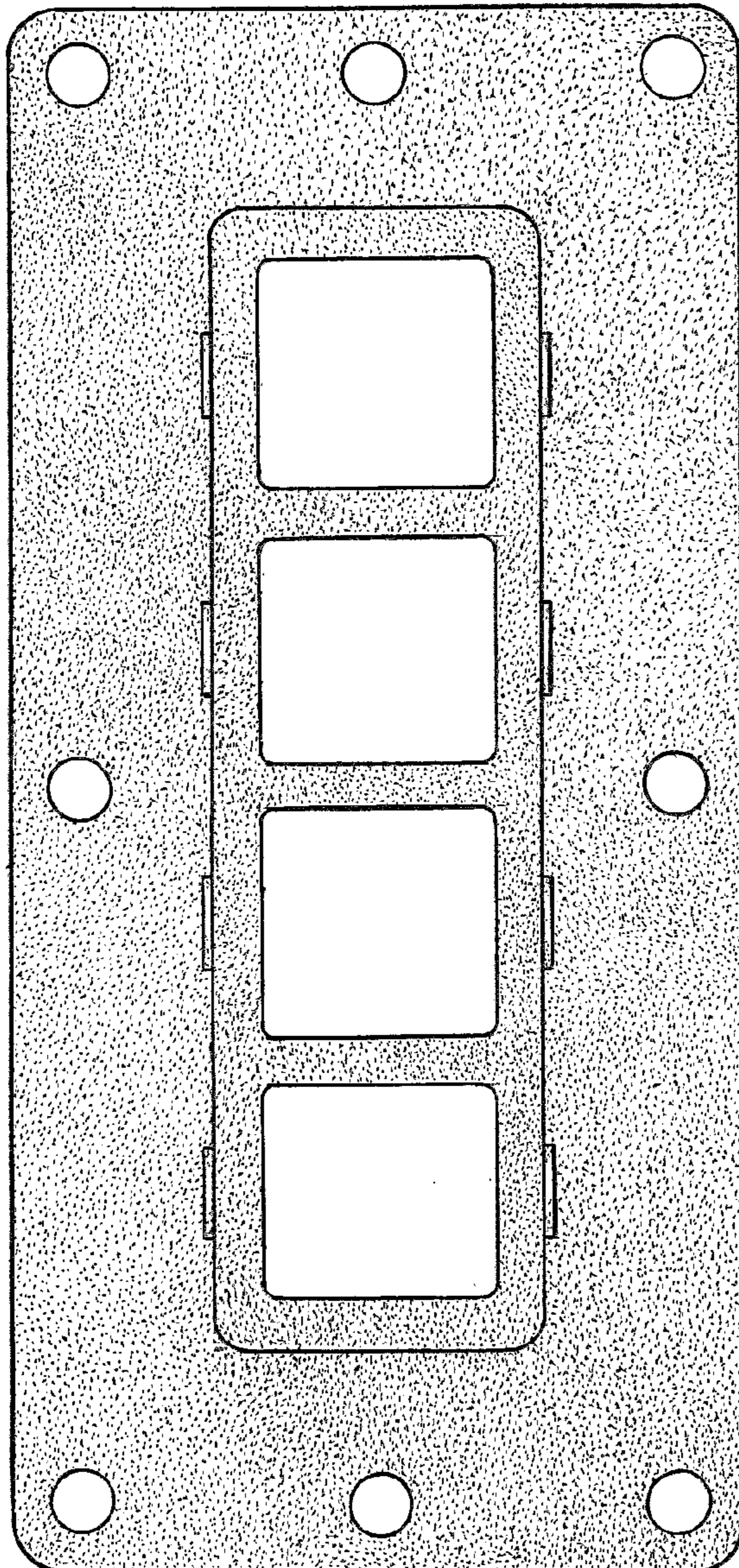


FIG.3

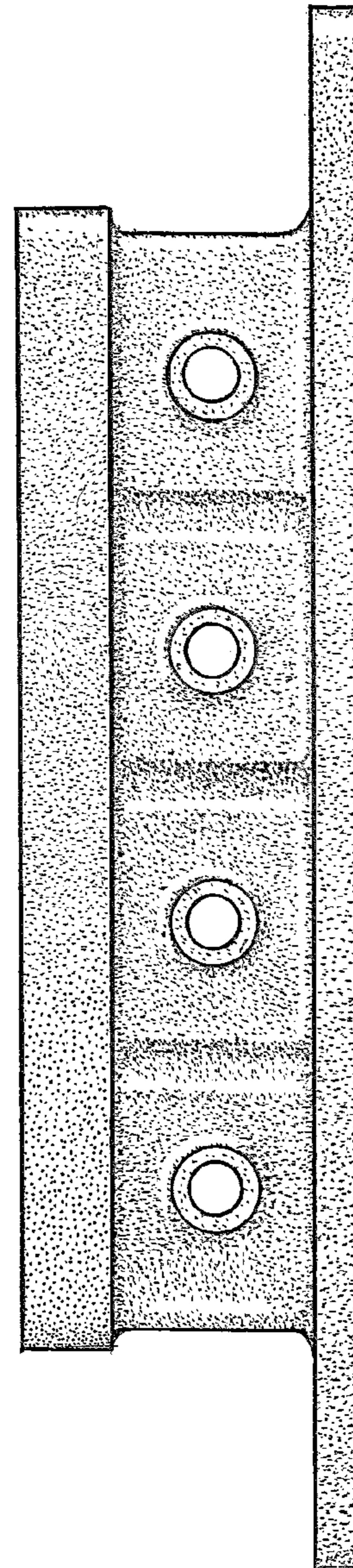


FIG.4

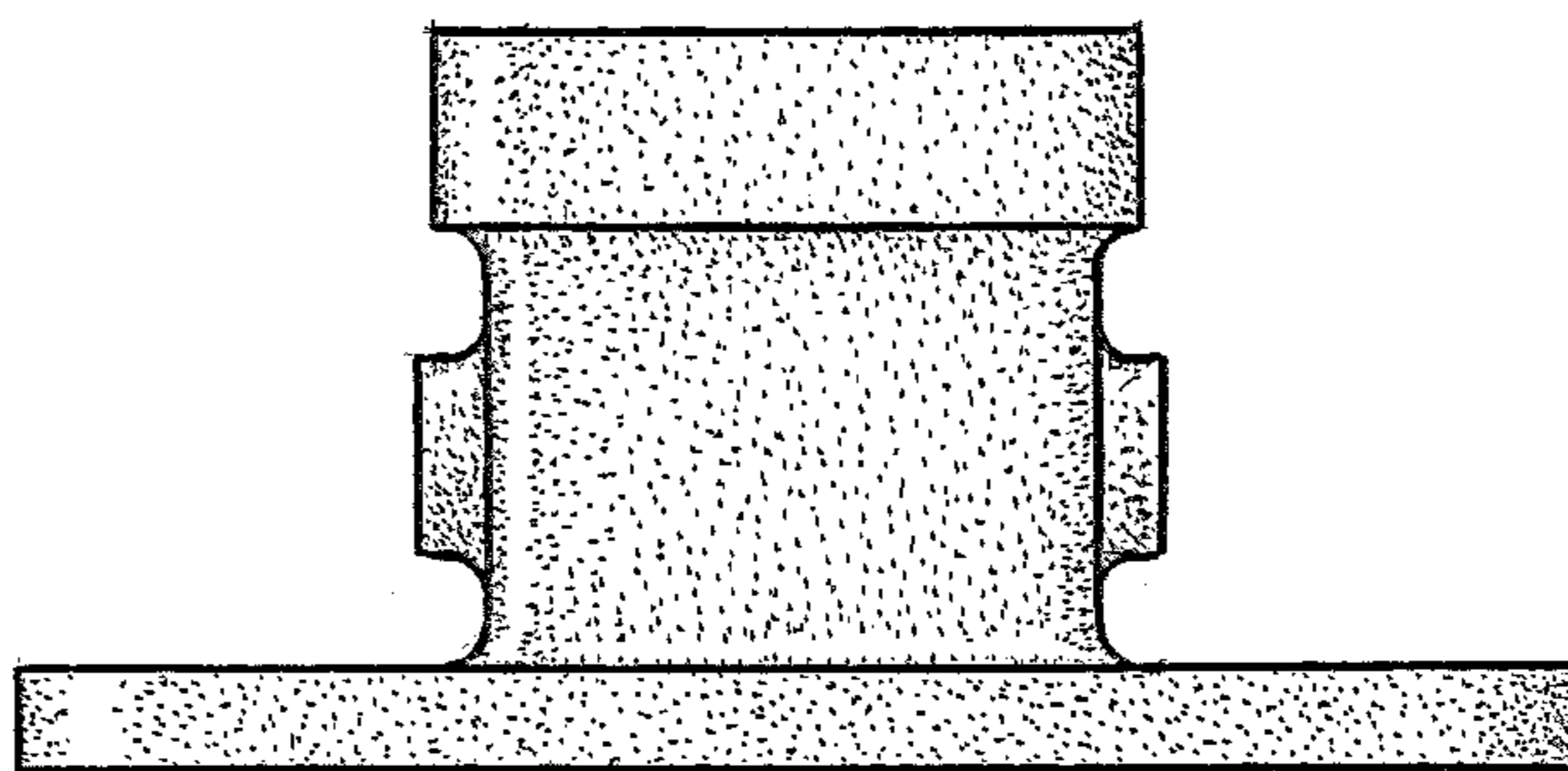


FIG.5

