



US00D727795S

(12) **United States Design Patent**  
**Wagner et al.**

(10) **Patent No.:** **US D727,795 S**  
(45) **Date of Patent:** **\*\* Apr. 28, 2015**

(54) **AUTOMOBILE AND/OR REPLICA THEREOF**

(71) Applicant: **Honda Motor Co., Ltd.**, Tokyo (JP)

(72) Inventors: **Helge Wagner**, Offenbach am Main (DE); **Daisuke Toriyama**, Wako (JP); **Masashi Nakai**, Wako (JP)

(73) Assignee: **Honda Motor Co., Ltd.**, Tokyo (JP)

(\*\*) Term: **14 Years**

(21) Appl. No.: **29/501,341**

(22) Filed: **Sep. 3, 2014**

**Related U.S. Application Data**

(63) Continuation of application No. 29/462,400, filed on Aug. 2, 2013, now abandoned.

(51) **LOC (10) Cl.** ..... **12-08**

(52) **U.S. Cl.**  
USPC ..... **D12/91**

(58) **Field of Classification Search**  
CPC ..... B62D 35/00; B62D 25/00; B62D 25/06;  
B62D 25/08; B62D 33/00  
USPC ..... D12/86, 90-92; D21/421, 433, 434;  
296/181.1, 181.5

See application file for complete search history.

(56) **References Cited**

**U.S. PATENT DOCUMENTS**

D628,938 S 12/2010 Yamazaki et al.  
D630,553 S 1/2011 Muller  
D630,554 S 1/2011 Kim  
D642,093 S 7/2011 Kubo et al.  
D647,822 S 11/2011 Murakawa et al.  
D647,823 S 11/2011 Okumoto et al.  
D655,648 S 3/2012 Imaiida et al.  
D657,716 S 4/2012 Cartabiano et al.  
D668,180 S 10/2012 Koman et al.

D670,200 S 11/2012 Toriyama et al.  
D686,949 S 7/2013 Minami  
D696,980 S 1/2014 Miyazawa  
D697,834 S 1/2014 Okue et al.  
D719,486 S \* 12/2014 Murakami et al. .... D12/91  
D719,487 S \* 12/2014 Asai et al. .... D12/91  
D720,257 S \* 12/2014 Suga et al. .... D12/91

**FOREIGN PATENT DOCUMENTS**

EM 001038806 11/2008  
EM 001932211 10/2011

**OTHER PUBLICATIONS**

Government of India Patent Office Hearing Letter dated Jun. 27, 2014, referencing India Design No. 248085.  
Russian Agency for Patent and Trademarks Official Action dated Apr. 14, 2014.

\* cited by examiner

*Primary Examiner* — Melody N Brown

(74) *Attorney, Agent, or Firm* — Plumsea Law Group, LLC

(57) **CLAIM**

The ornamental design for an automobile and/or replica thereof, as shown and described.

**DESCRIPTION**

FIG. 1 is a front perspective view of an automobile and/or replica thereof showing our new design; FIG. 2 is a rear perspective view thereof; FIG. 3 is a front elevational view thereof; FIG. 4 is a rear elevational view thereof; FIG. 5 is a top plan view thereof; FIG. 6 is a side elevational view of one side thereof; and, FIG. 7 is a side elevational view of the opposite side thereof. The broken line portions of the vehicle shown throughout the drawing views are for illustrative purposes only and form no part of the claimed design.

**1 Claim, 7 Drawing Sheets**

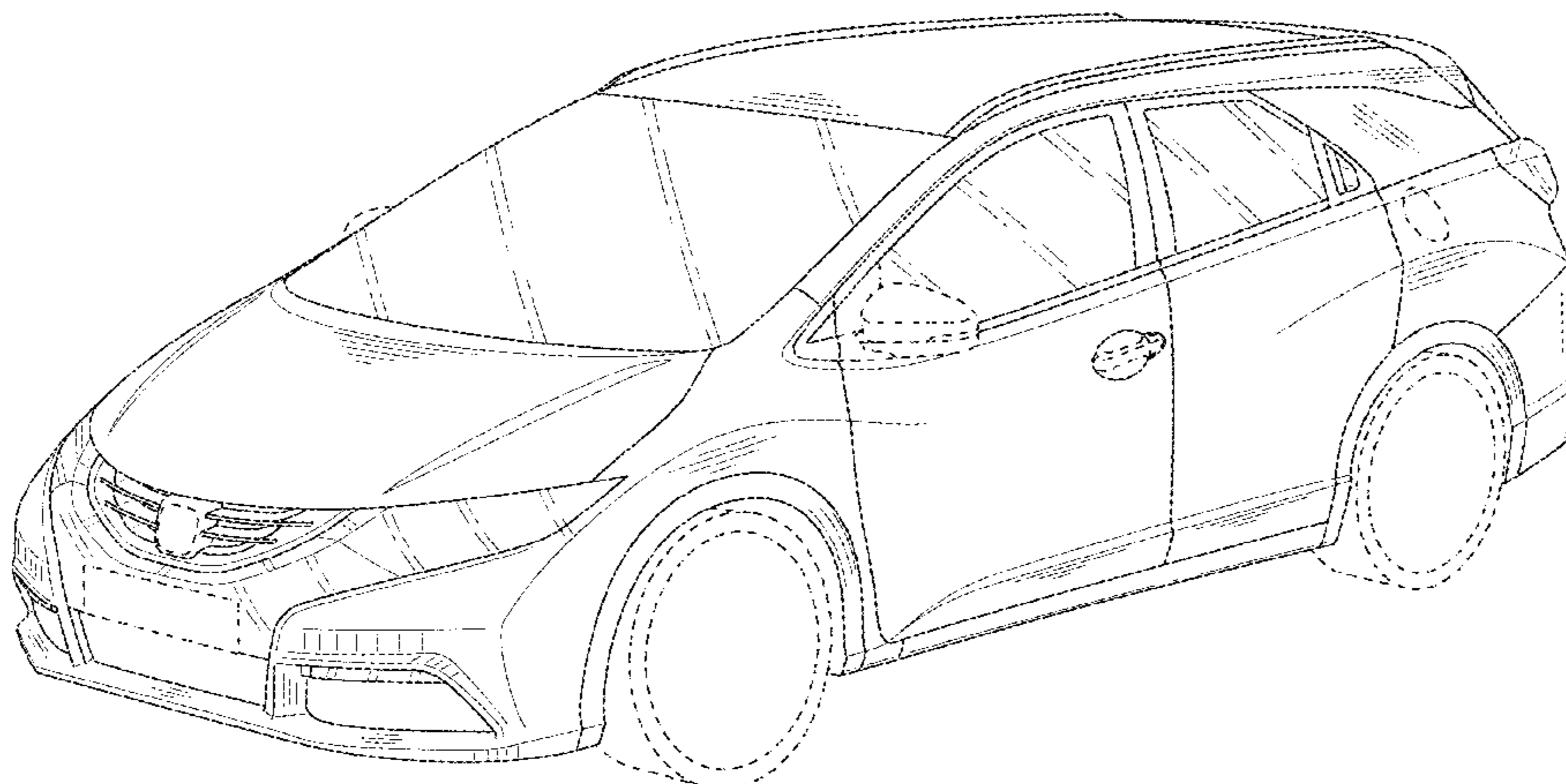


FIG. 1

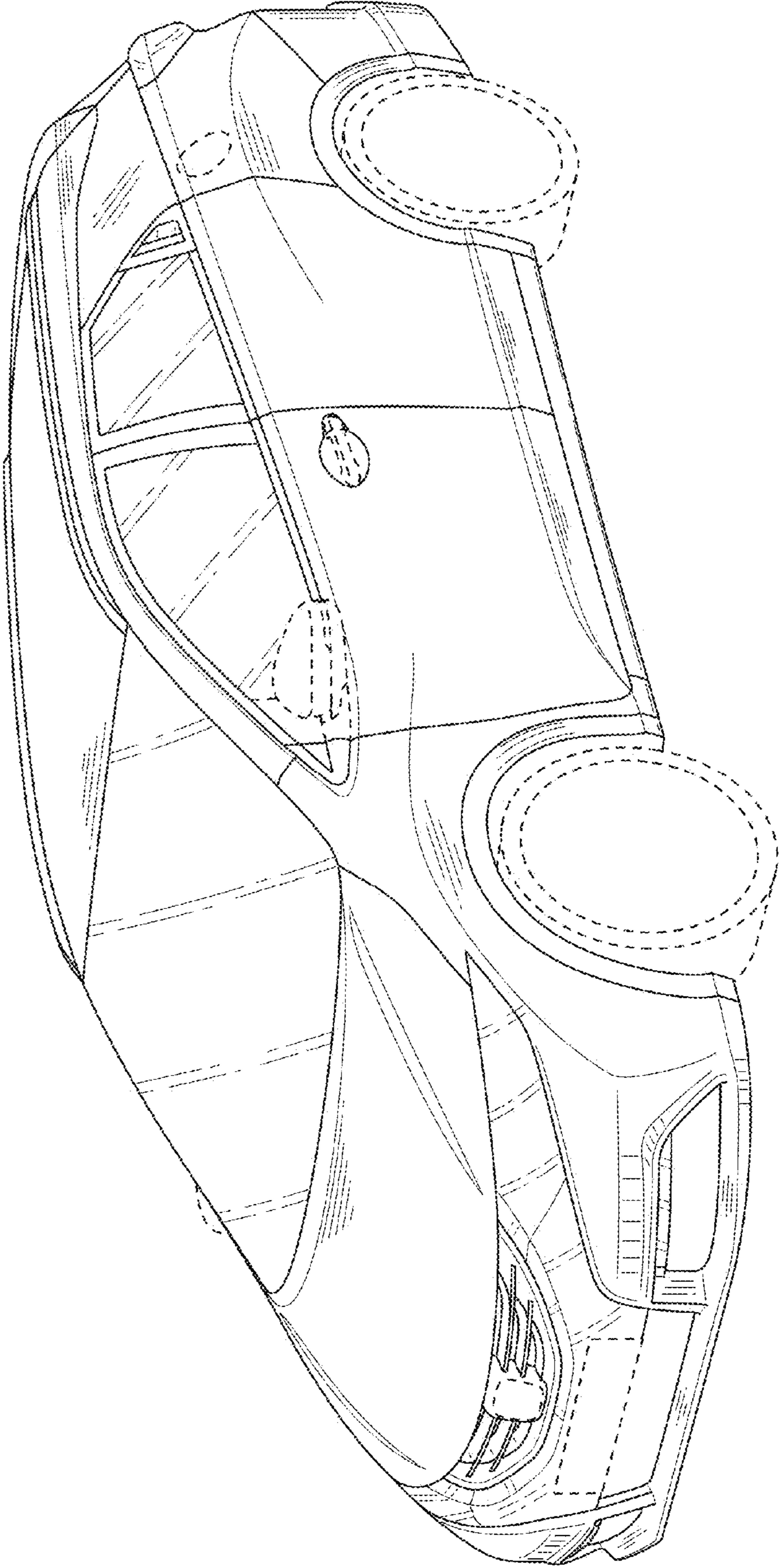


FIG. 2

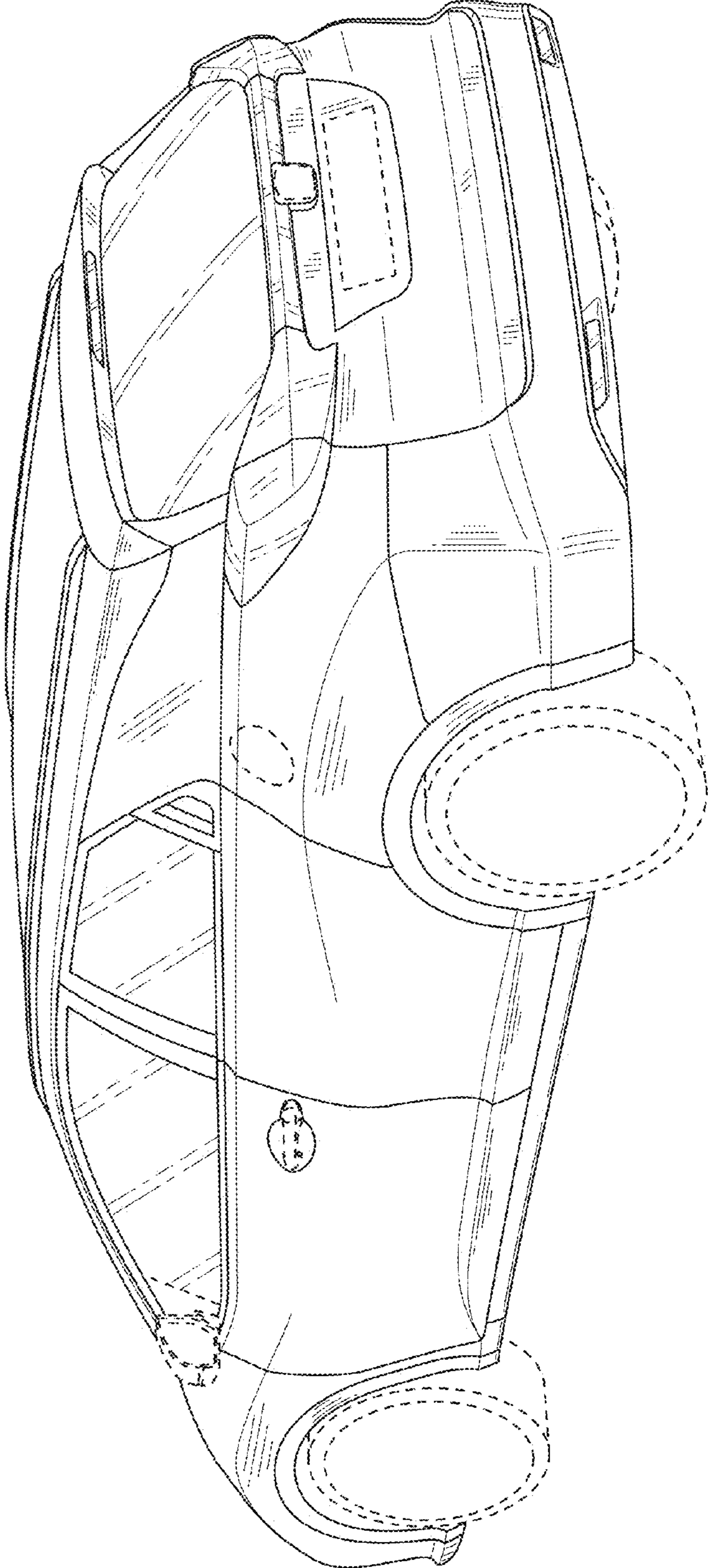




FIG. 3

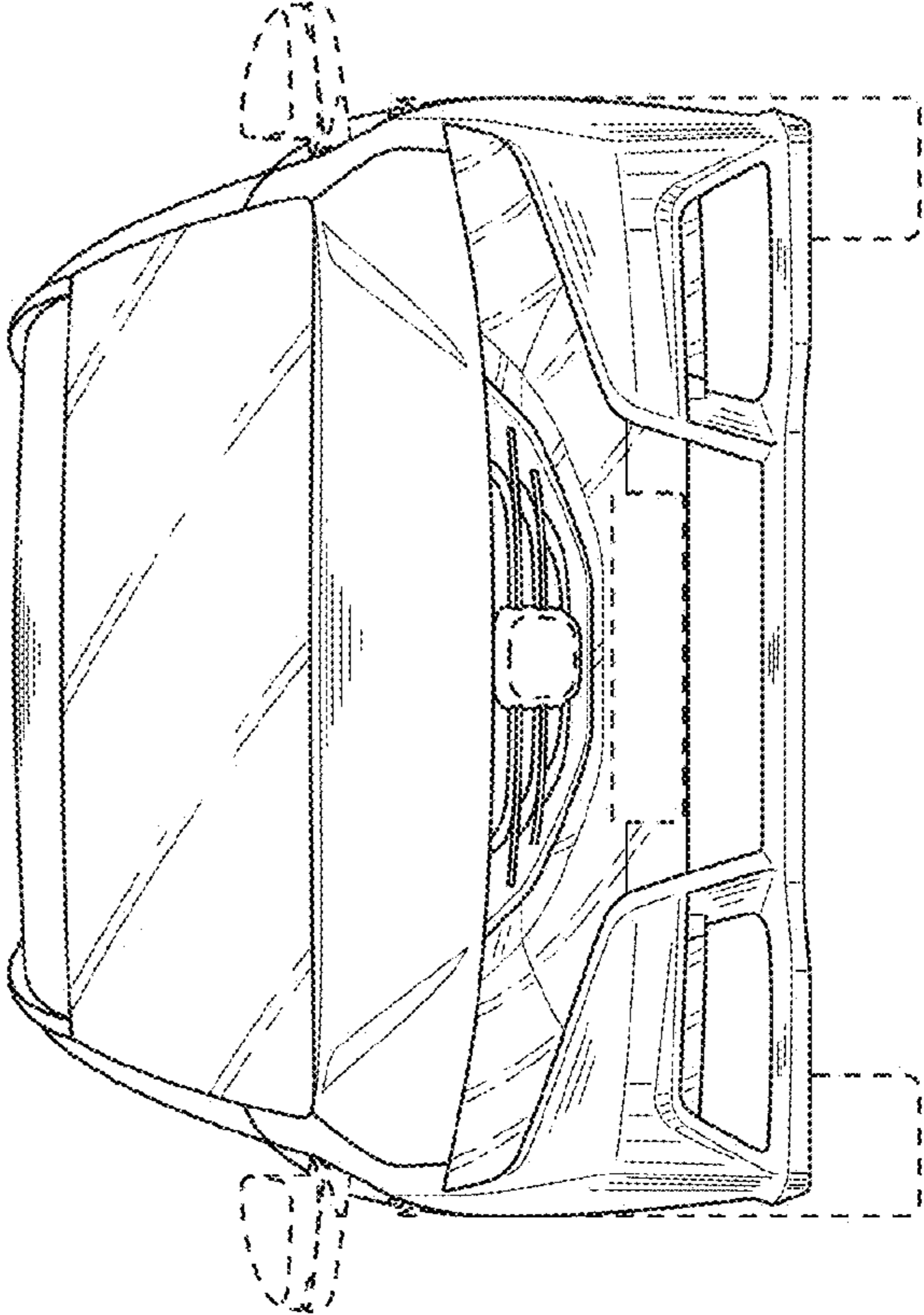


FIG. 4

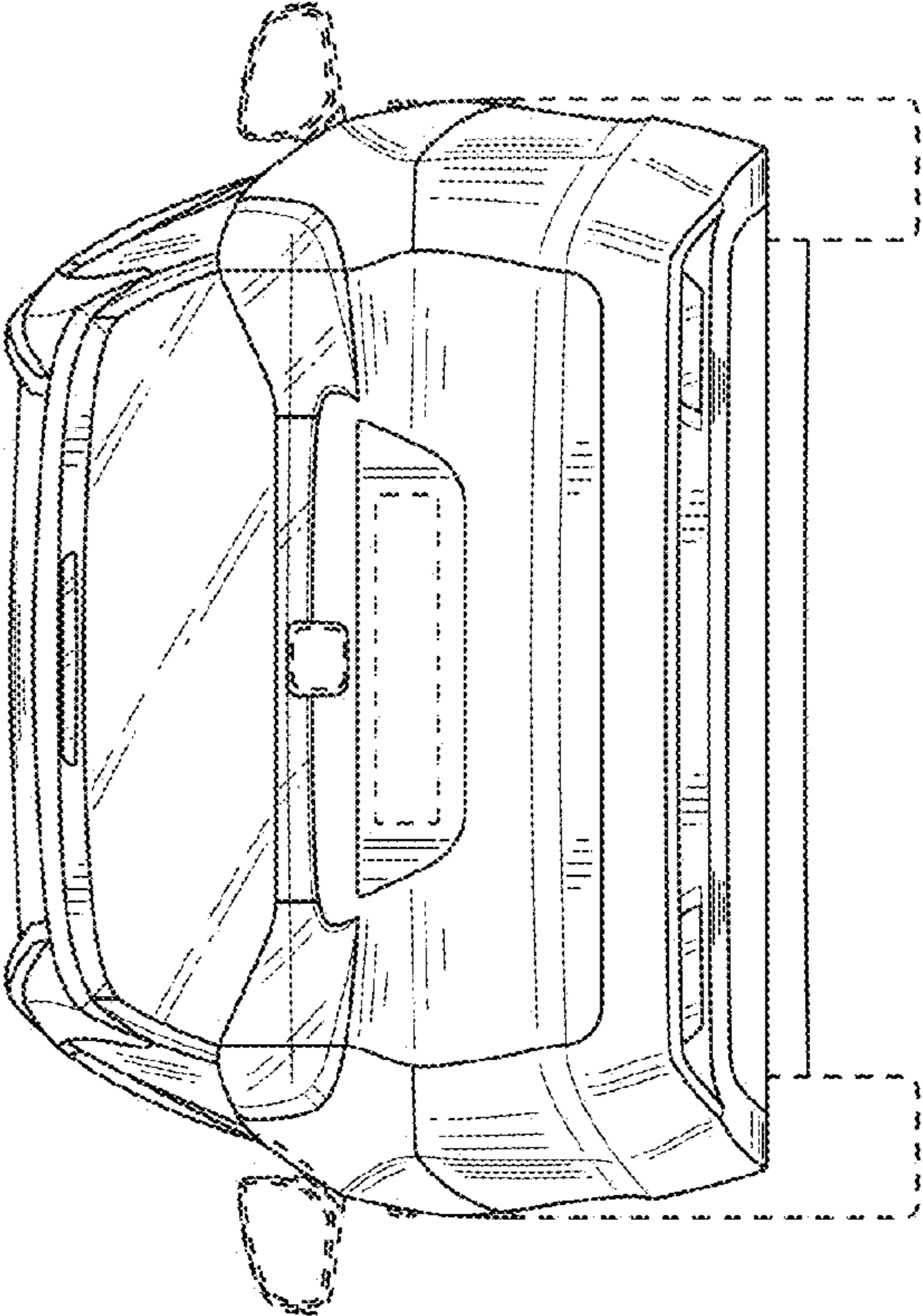


FIG. 5

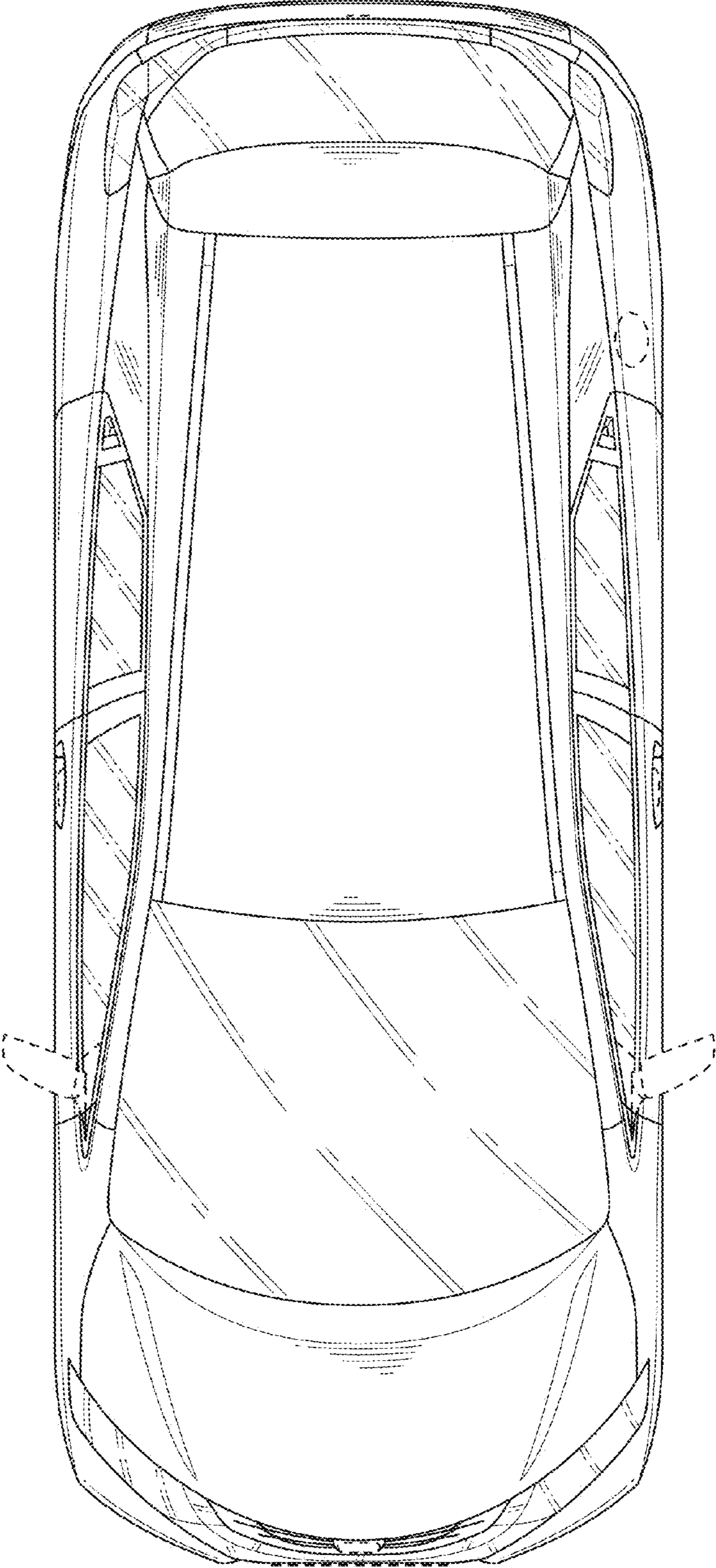


FIG. 6

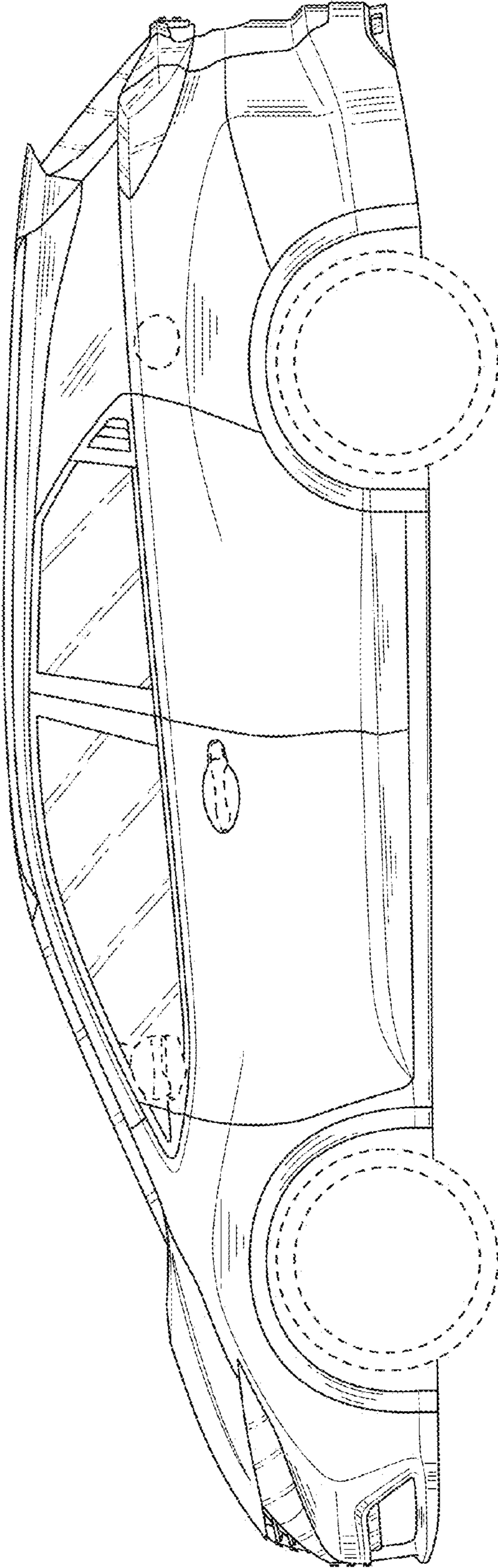




FIG. 7

