



US00D727794S

(12) **United States Design Patent**
Tandrup et al.

(10) **Patent No.:** **US D727,794 S**
(45) **Date of Patent:** **** Apr. 28, 2015**

- (54) **UTILITY VEHICLE**
- (71) Applicant: **Bombardier Recreational Products Inc., Valcourt (CA)**
- (72) Inventors: **Matt Tandrup, Bromont (CA); Christopher Rudwal, Outremont (CA); Alain Massicotte, Orford (CA)**
- (73) Assignee: **Bombardier Recreational Products Inc., Valcourt (CA)**
- (**) Term: **14 Years**
- (21) Appl. No.: **29/482,123**
- (22) Filed: **Feb. 14, 2014**

- D633,006 S 2/2011 Sanschagrin et al.
- D636,295 S * 4/2011 Eck et al. D12/1
- D641,288 S 7/2011 Sun
- D646,604 S * 10/2011 Zhang D12/16
- D660,746 S 5/2012 Bracy
- D670,198 S * 11/2012 Li et al. D12/14
- D675,960 S * 2/2013 Hashimoto et al. D12/87
- D689,396 S * 9/2013 Wang D12/14
- D700,869 S * 3/2014 Sato et al. D12/14

(Continued)

OTHER PUBLICATIONS

“Polaris Announces Limited Edition ATVs.” Motorcycle USA., Jan. 11, 2012 [online], [retrieved on Nov. 11, 2014]. Retrieved from the Internet <URL: <http://www.motorcycle-usa.com/594/11967/Motorcycle-Article/Polaris-Announces-Limited-Edition-ATVs.aspx>>.*

(Continued)

Related U.S. Application Data

- (62) Division of application No. 29/432,478, filed on Sep. 14, 2012.
- (51) **LOC (10) Cl.** **12-08**
- (52) **U.S. Cl.**
USPC **D12/87; D12/14**
- (58) **Field of Classification Search**
CPC A01B 59/02; A61G 3/08; B62B 5/04;
B62B 13/10; B62B 19/04; B62B 2202/404;
B62C 9/00; B62D 7/22; B62K 5/01; B60K
23/0808
USPC D12/3, 4, 5, 14, 85, 86, 87, 107, 110;
280/183–185, DIG. 5, 1, 16, 82, 88, 90,
280/14; 180/233, 908
See application file for complete search history.

Primary Examiner — Philip S Hyder
Assistant Examiner — Darlington Ly
(74) *Attorney, Agent, or Firm* — BCF LLP

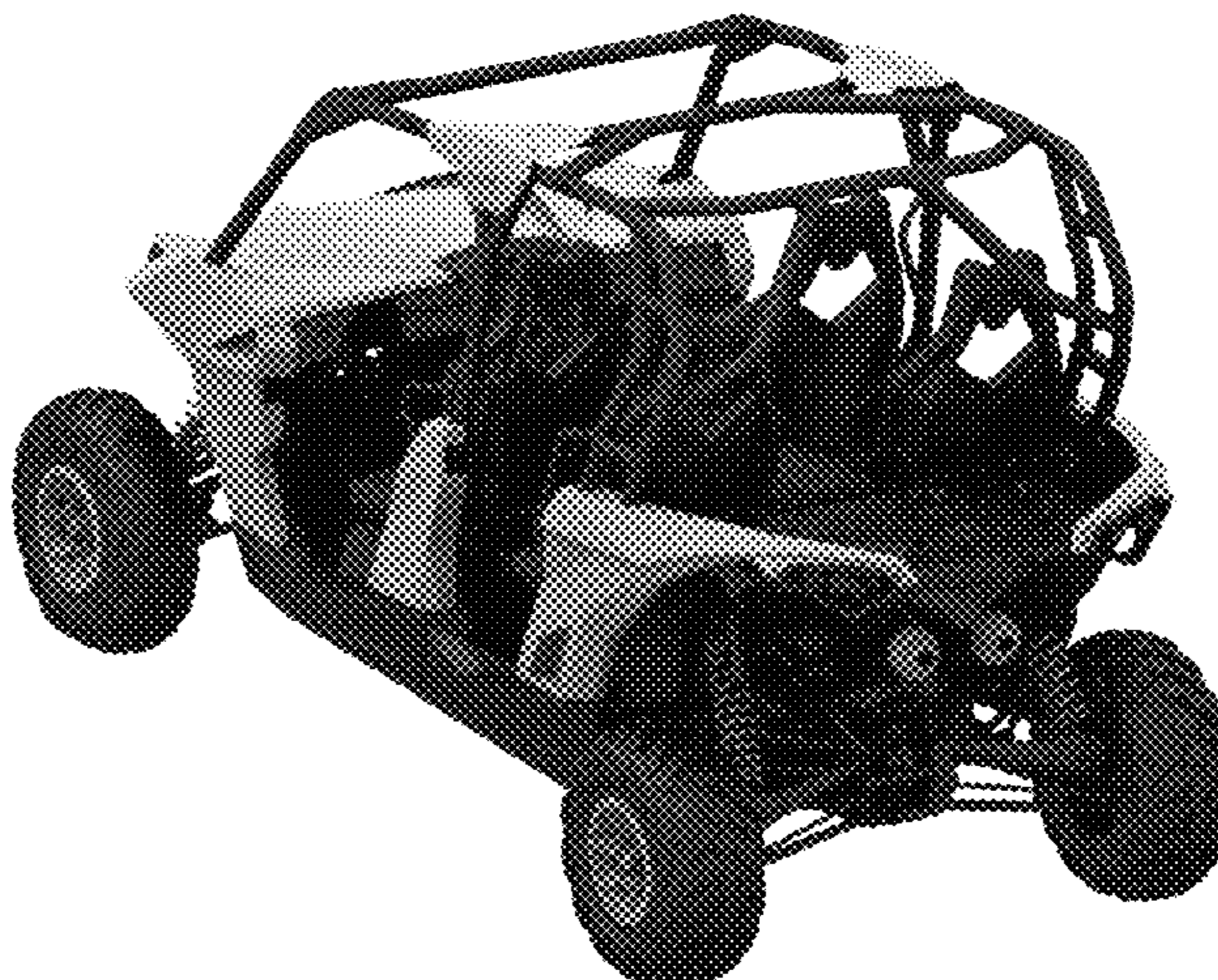
(57) **CLAIM**
The ornamental design for a utility vehicle, as shown and described.

DESCRIPTION

FIG. 1 is an elevation view of the front of a utility vehicle according to a first embodiment of our design;
FIG. 2 is an elevation view of the left side thereof;
FIG. 3 is an elevation view of the rear thereof;
FIG. 4 is an elevation view of the right side thereof;
FIG. 5 is a plan view of the top thereof;
FIG. 6 is a perspective view of the front and left-side thereof; and,
FIG. 7 is a perspective view of the rear and left-side thereof.

- (56) **References Cited**
U.S. PATENT DOCUMENTS
D498,435 S * 11/2004 Saito et al. D12/1
D606,900 S * 12/2009 Flores D12/87
D622,631 S 8/2010 Lai et al.

1 Claim, 7 Drawing Sheets



(56)

References Cited

U.S. PATENT DOCUMENTS

2009/0184531 A1* 7/2009 Yamamura et al. 296/37.6
2009/0184541 A1* 7/2009 Yamamura et al. 296/190.08
2012/0160589 A1* 6/2012 Tsumiyama et al. 180/291
2012/0161477 A1* 6/2012 Furman et al. 296/203.03
2013/0087395 A1 4/2013 Kaku et al.
2013/0087402 A1 4/2013 Kaku et al.
2013/0256050 A1* 10/2013 Novotny et al. 180/271

OTHER PUBLICATIONS

“2013 Kawasaki Teryx4 Archery Voyage.” Motorcycle USA., May 3, 2013 [online], [retrieved on Nov. 11, 2014]. Retrieved from the Internet <URL: <http://www.motorcycle-usa.com/724/16099/Motorcycle-Article/2013-Kawasaki-Teryx4-Archery-Voyage.aspx>>.*
Design U.S. Appl. No. 29/432,472, filed Sep. 14, 2012.
Design U.S. Appl. No. 29/482,357, filed Feb. 18, 2014.

* cited by examiner

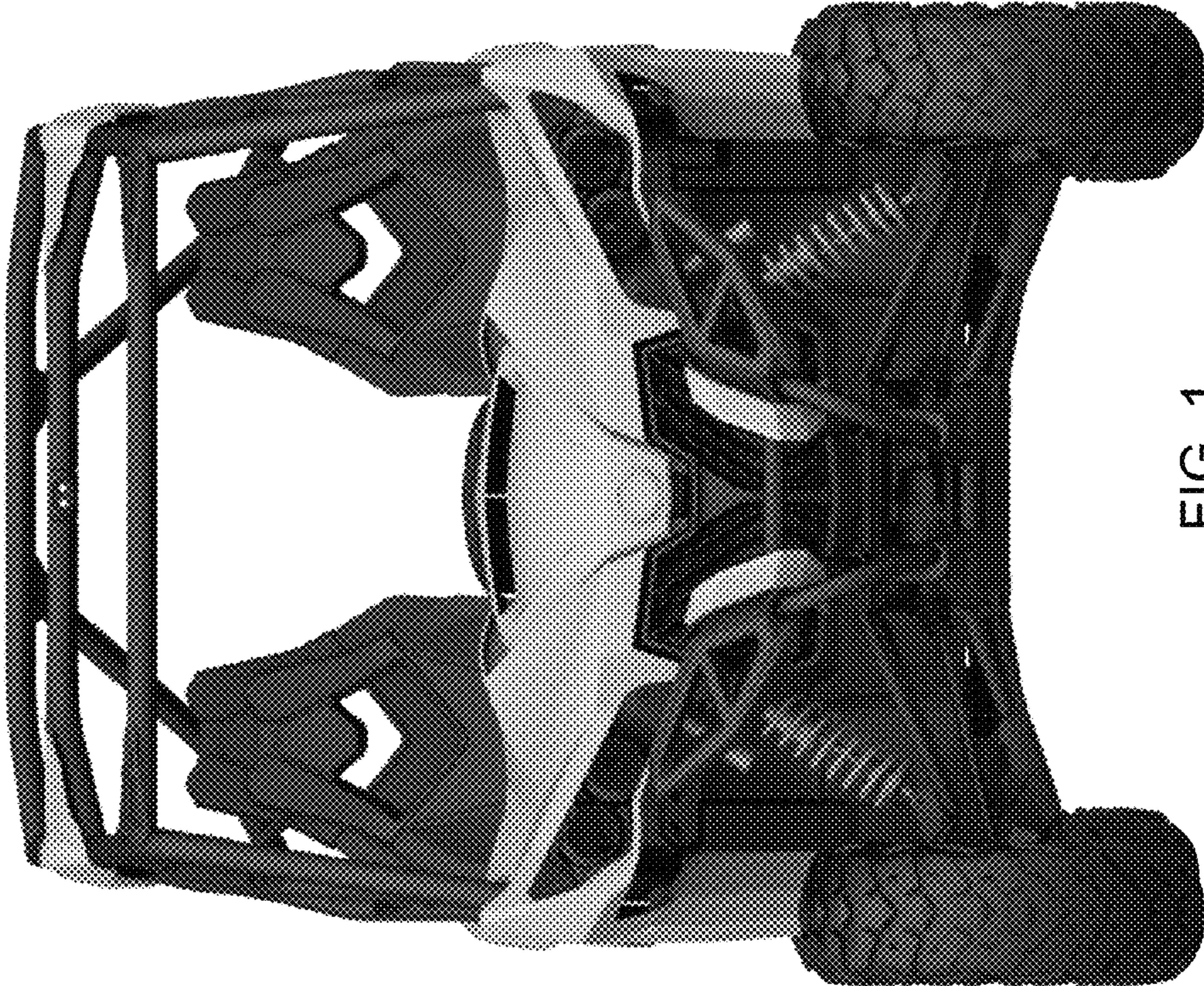


FIG. 1

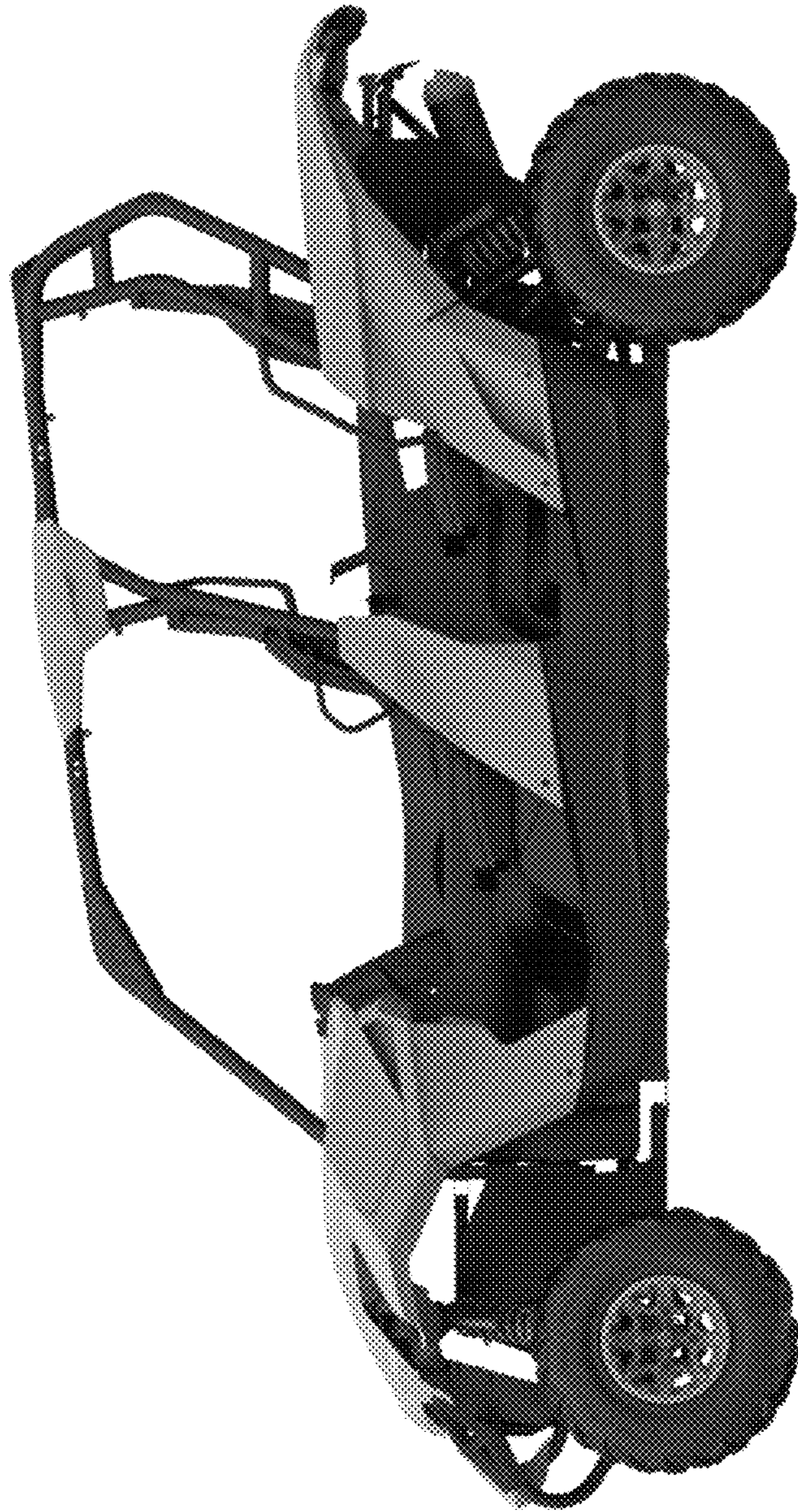


FIG. 2

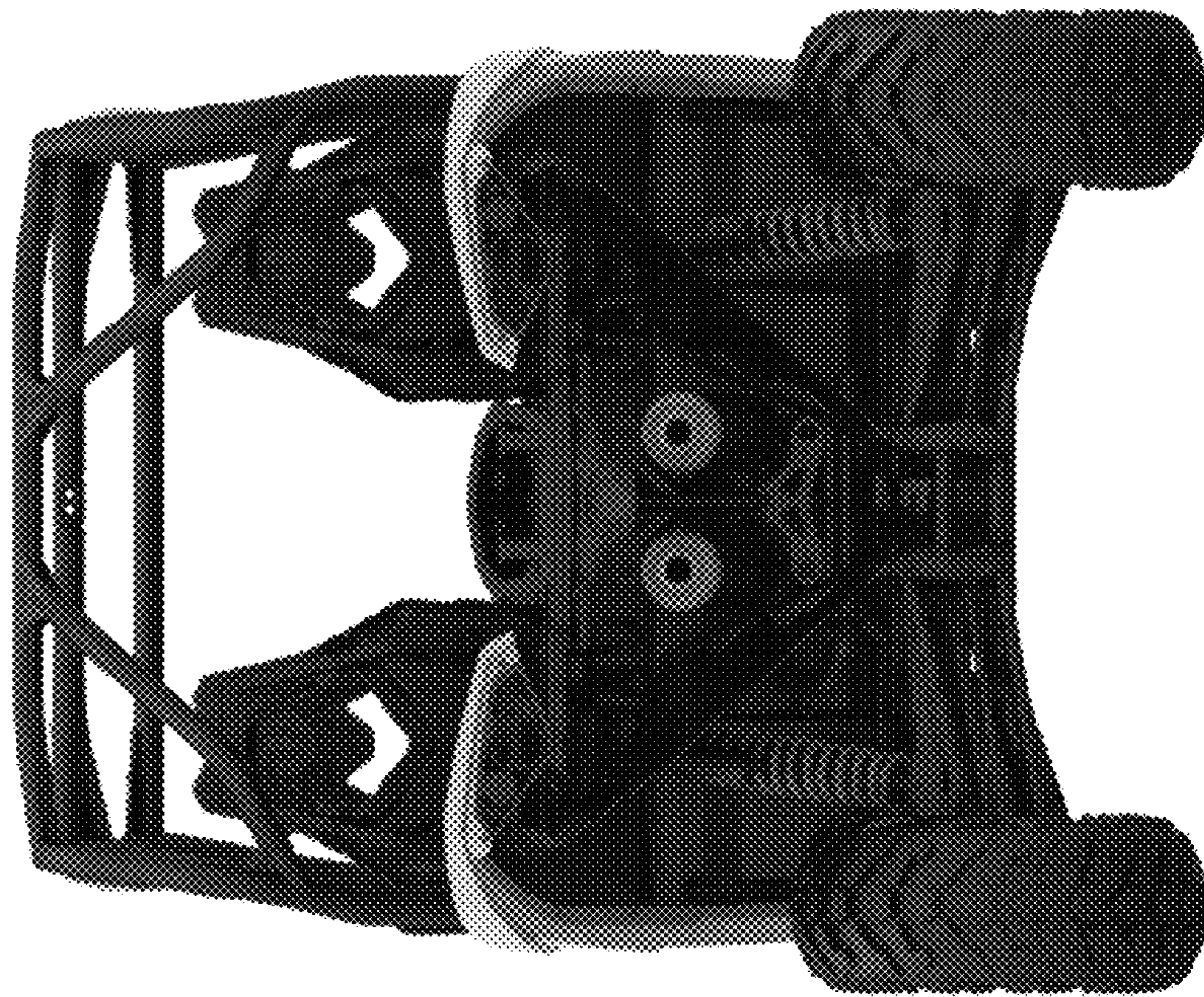


FIG. 3

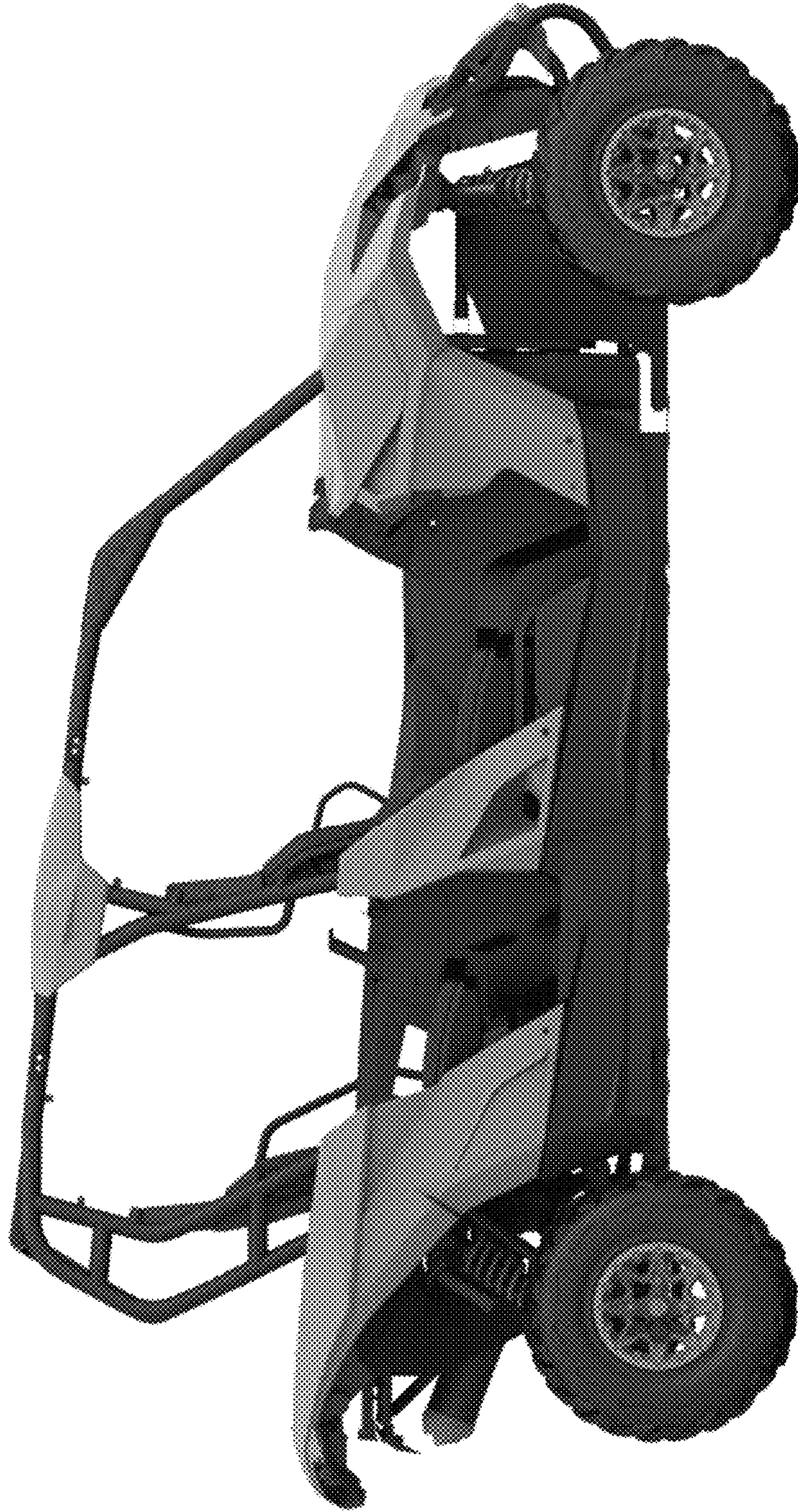


FIG. 4

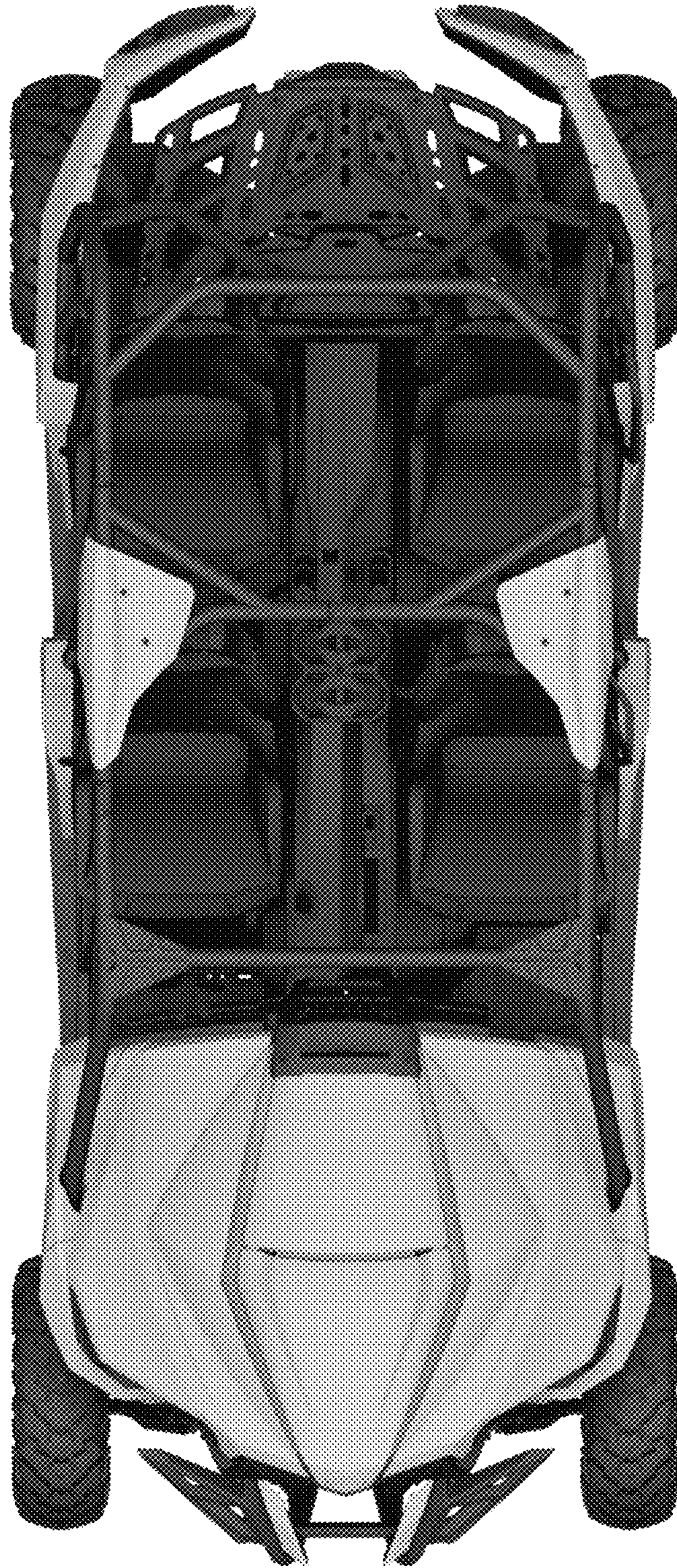


FIG. 5

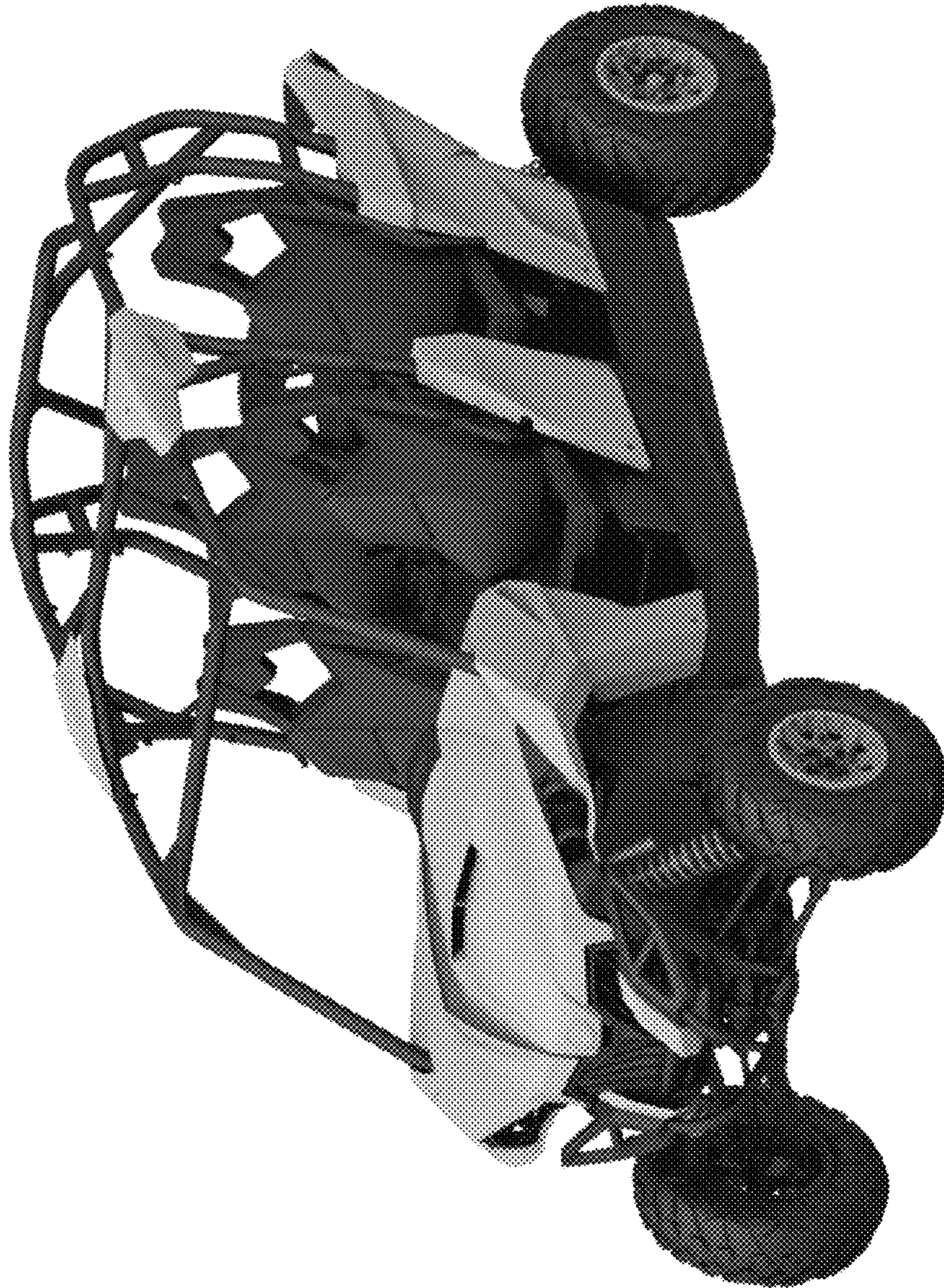


FIG. 6

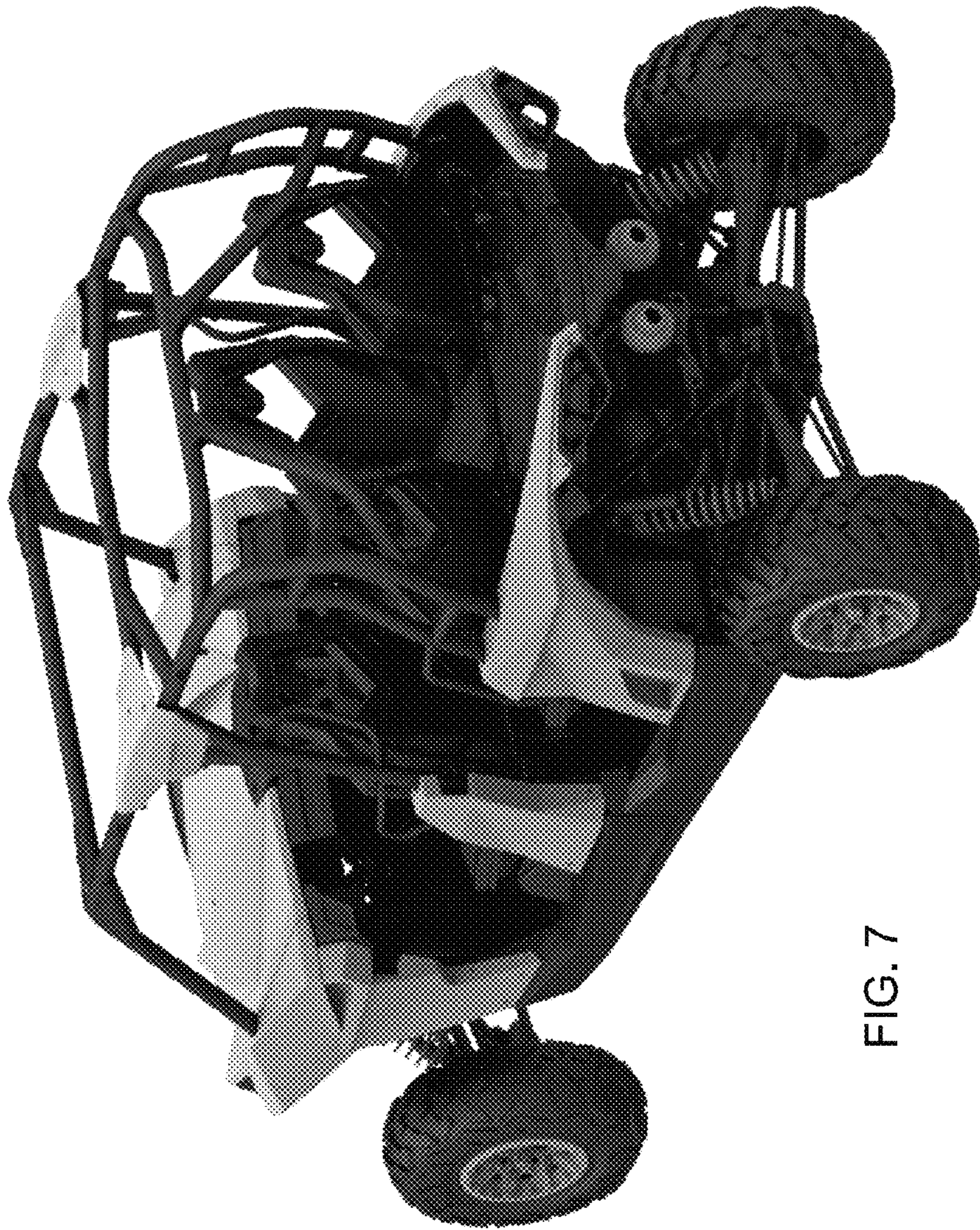


FIG. 7