



US00D727789S

(12) **United States Design Patent**
Thuma et al.

(10) **Patent No.:** **US D727,789 S**
(45) **Date of Patent:** **** Apr. 28, 2015**

(54) **PANEL**

(56) **References Cited**

(71) Applicant: **Suncast Technologies, LLC**, Palm Beach Gardens, FL (US)

U.S. PATENT DOCUMENTS

(72) Inventors: **Michael Thuma**, La Grange, IL (US);
Brian J. Russell, Aurora, IL (US);
Michael R. Vogler, Oswego, IL (US)

D22,077	S	*	12/1892	Curtis et al.	D25/138
D85,919	S	*	1/1932	Dugdale	D11/153
2,143,844	A	*	1/1939	Daller	428/191
4,778,028	A	*	10/1988	Staley	181/208
D407,666	S	*	4/1999	Churchville	D11/132
D466,229	S	*	11/2002	Risi et al.	D25/113
6,974,406	B2	*	12/2005	Antonacci	493/189
D587,381	S	*	2/2009	McIntosh	D25/113
D590,949	S	*	4/2009	Broyles	D24/189
D653,457	S	*	2/2012	Della Valle et al.	D5/58
D702,590	S	*	4/2014	Moniz	D11/144
2011/0081514	A1	*	4/2011	Day et al.	428/53

(73) Assignee: **Suncast Technologies, LLC**, Palm Beach Gardens, FL (US)

(**) Term: **14 Years**

* cited by examiner

(21) Appl. No.: **29/476,549**

Primary Examiner — Elizabeth Albert

(22) Filed: **Dec. 13, 2013**

(74) *Attorney, Agent, or Firm* — Mchale & Slavin P.A.

(51) **LOC (10) Cl.** **11-02**

(57) **CLAIM**

The ornamental design for a panel, as shown and described.

(52) **U.S. Cl.**

DESCRIPTION

USPC **D11/155**; D5/63

(58) **Field of Classification Search**

USPC D5/6, 7, 32, 55, 58, 61, 63, 66, 99;
D11/132, 143–156; D25/105, 113,
D25/117, 138, 152, 153, 155, 156, 157,
D25/159; D20/11, 27, 28; 181/290; 428/32,
428/147, 151, 152, 187, 542.6, 913.3

FIG. 1 is a top, right perspective view of the panel of the present invention;

FIG. 2 is a bottom right perspective view thereof;

FIG. 3 is a front view thereof;

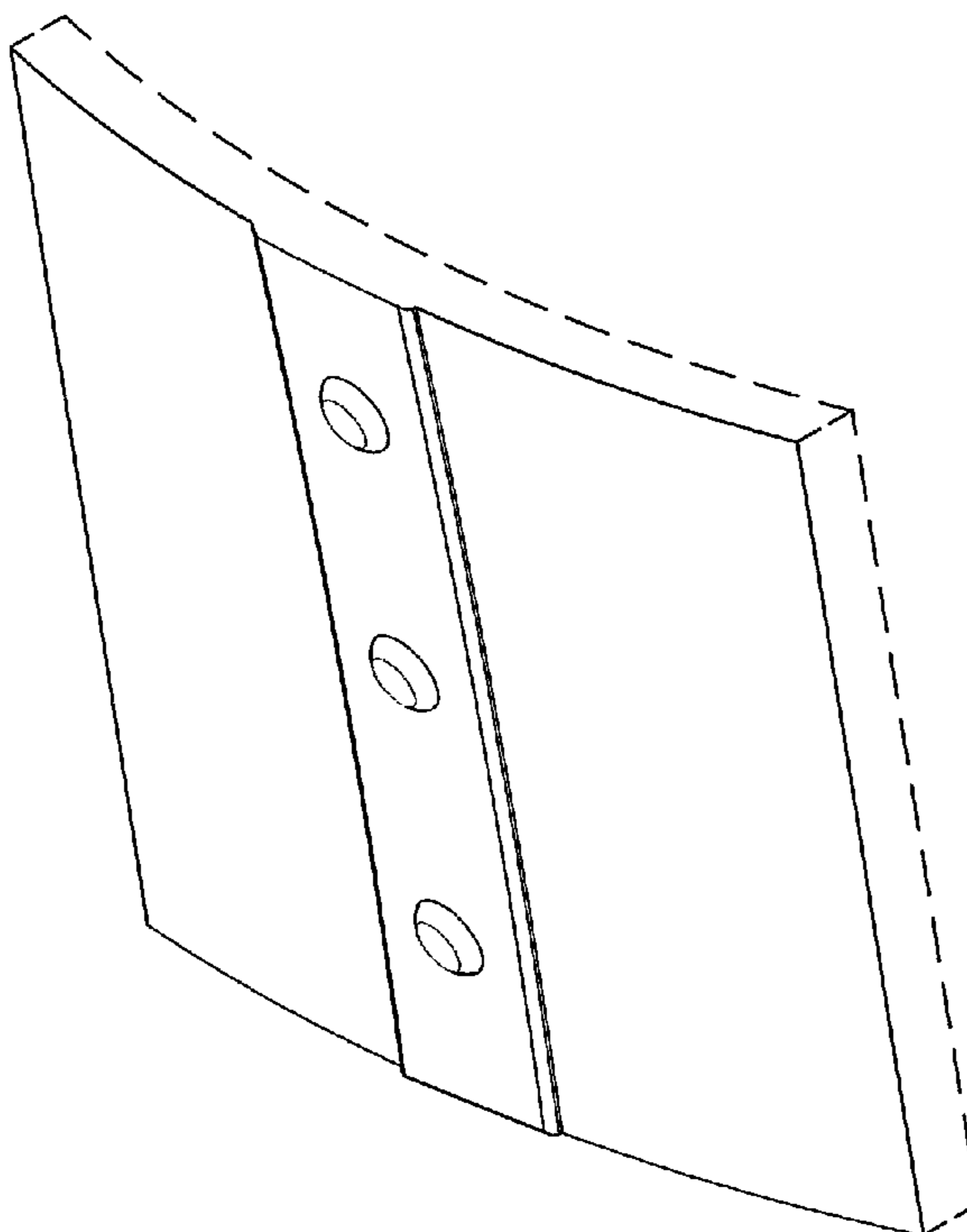
FIG. 4 is a right side view thereof; and,

FIG. 5 is a left side view thereof.

The broken lines showing the rear in FIGS. 1, 2, 4 and 5 are included to show portions that form no part of the claimed design.

See application file for complete search history.

1 Claim, 4 Drawing Sheets



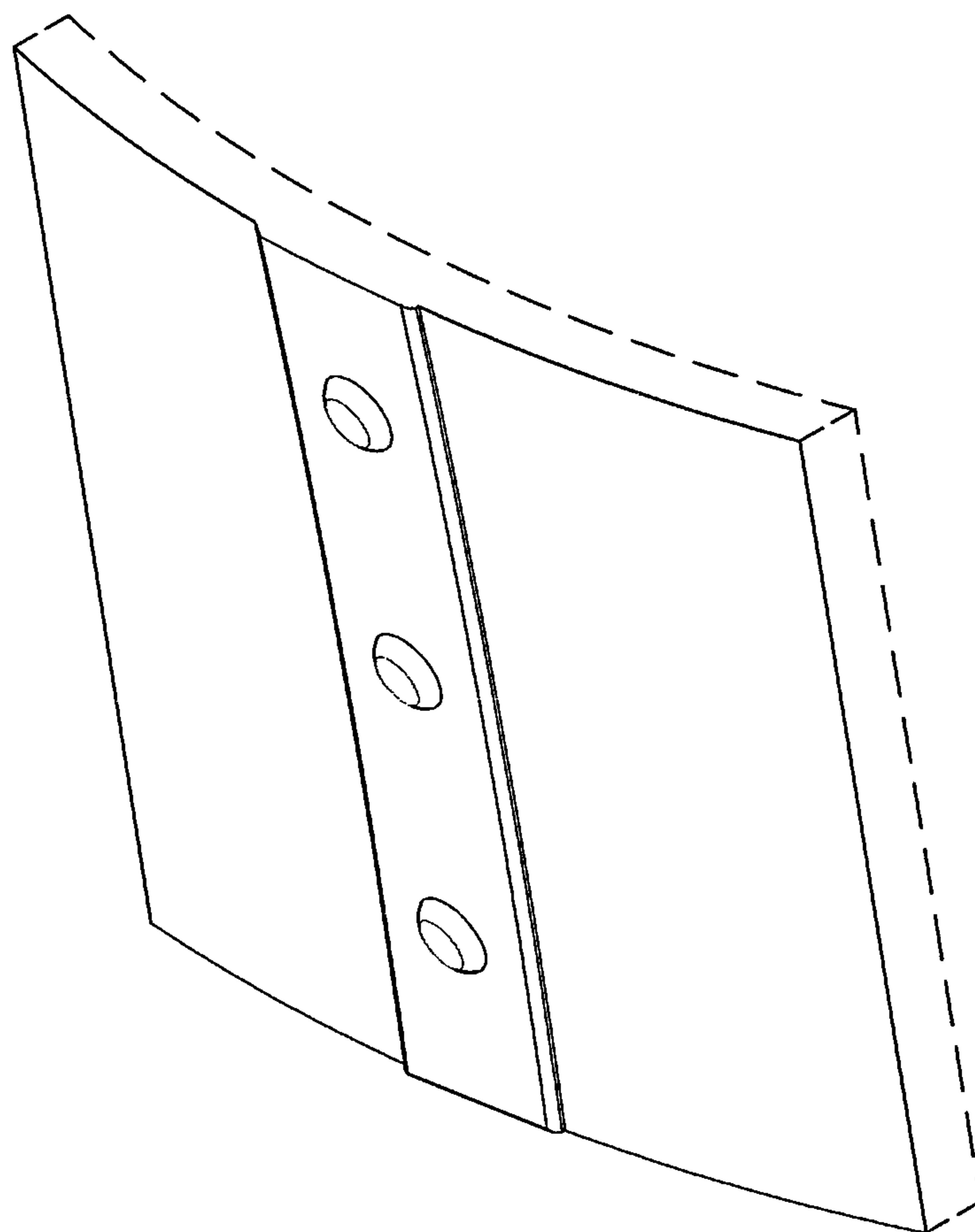


Fig. 1

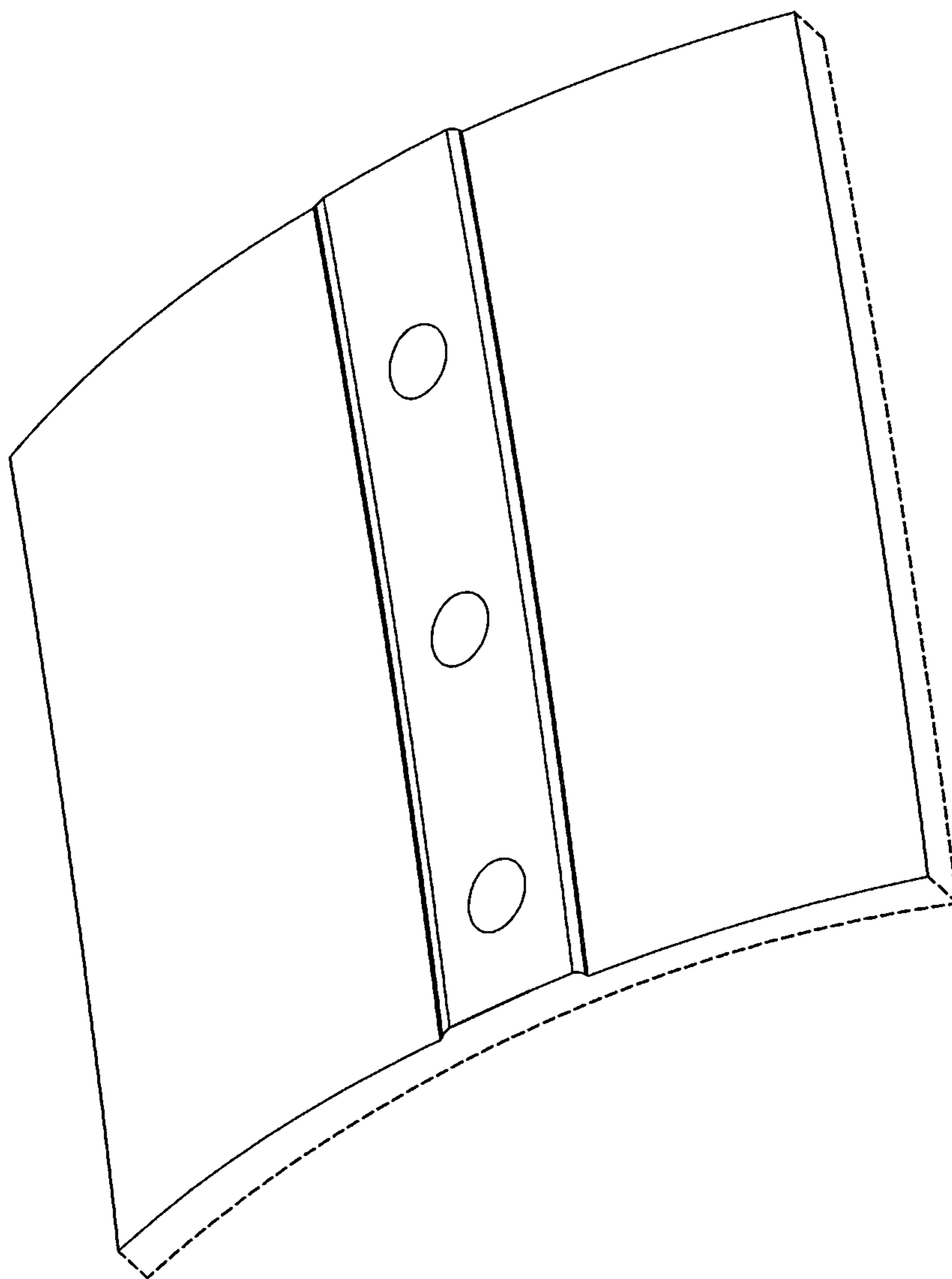


Fig. 2

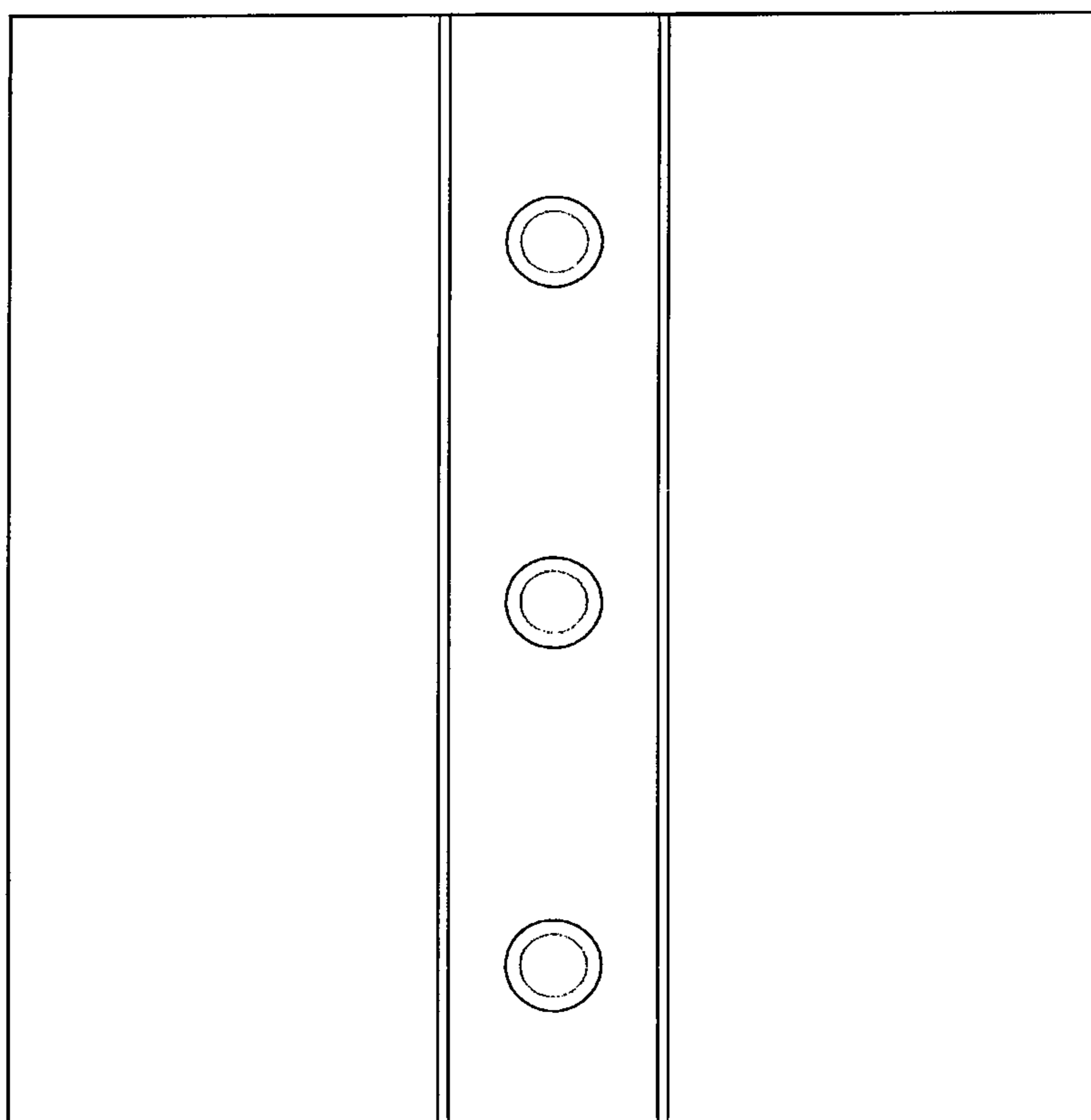


Fig. 3

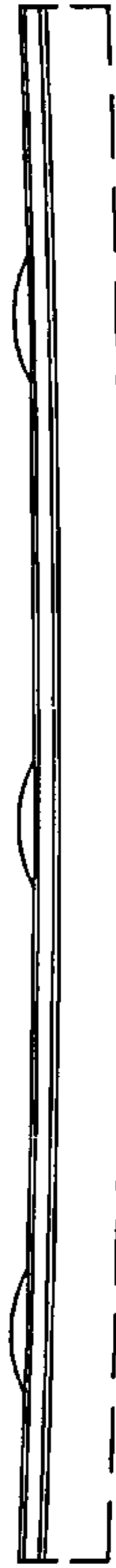


Fig. 4

Fig. 5