



US00D727788S

(12) **United States Design Patent**
Hetland

(10) **Patent No.:** **US D727,788 S**

(45) **Date of Patent:** **** Apr. 28, 2015**

(54) **SOLAR POWERED ILLUMINATED PLANTER**

(71) Applicant: **Alfred S. Hetland**, North Dighton, MA
(US)

(72) Inventor: **Alfred S. Hetland**, North Dighton, MA
(US)

(**) Term: **14 Years**

(21) Appl. No.: **29/456,952**

(22) Filed: **Jun. 5, 2013**

(51) **LOC (10) Cl.** **11-02**

(52) **U.S. Cl.**
USPC **D11/144**

(58) **Field of Classification Search**
USPC D6/403-405, 556-559, 570;
D11/143-156, 164; D19/77, 80, 81,
D19/84; D25/15, 100, 105, 113; D26/9, 10,
D26/11, 16, 19; D34/1, 2, 4-6; 47/17, 32.4,
47/32.5, 32.7, 33, 39, 41.01, 41.1,
47/41.11-41.15, 44-47, 63, 65.5, 65.9,
47/66.6, 66.7, 67-71

See application file for complete search history.

(56) **References Cited**

U.S. PATENT DOCUMENTS

D119,982 S *	4/1940	Munz	D11/145
3,252,252 A *	5/1966	Muelberger, Jr.	47/82
3,950,637 A	4/1976	Rodin		
D262,274 S *	12/1981	Lahr	D11/152
D295,842 S *	5/1988	Gay	D11/152

D306,985 S	4/1990	Mason, Jr.		
D400,822 S	11/1998	Therrien		
D445,062 S *	7/2001	Wong	D11/147
D457,745 S	5/2002	Han		
D493,384 S *	7/2004	Jensen	D11/143
D574,627 S	8/2008	Broel		
7,690,151 B2 *	4/2010	Wilkes	47/82
8,454,201 B2 *	6/2013	Cohen	362/285
2010/0029412 A1 *	2/2010	Simonutti et al.	473/377
2010/0175318 A1	7/2010	Ahmadi		
2012/0023819 A1	2/2012	Marano		

* cited by examiner

Primary Examiner — Robert M Spear

Assistant Examiner — Marissa J Cash

(57) **CLAIM**

The ornamental design for a solar powered illuminated planter, as shown and described.

DESCRIPTION

FIG. 1 is a perspective view of a solar powered illuminated planter showing my new design;

FIG. 2 is a front view; opposite back view is a mirror-image thereof;

FIG. 3 is a side view thereof;

FIG. 4 is an opposite side view thereof;

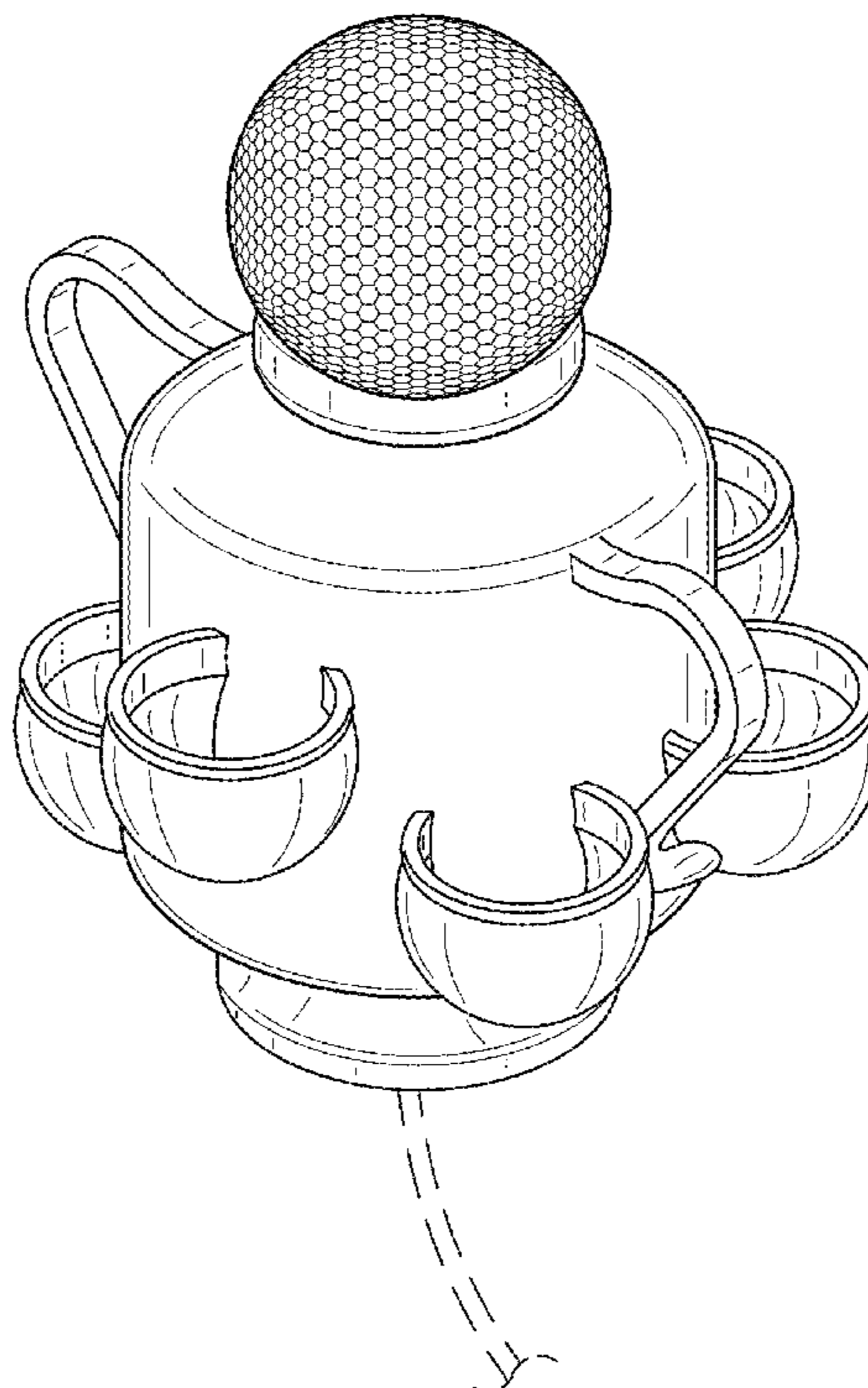
FIG. 5 is a top view thereof;

FIG. 6 is a bottom view thereof; and,

FIG. 7 is a cross-sectional view of FIG. 2.

In FIGS. 1, 6, and 7, the broken lines showing the environmental structure for purposes of illustrating the solar powered illuminated planter in a condition of use. The broken lines and the structure they depict form no part of the claimed design.

1 Claim, 7 Drawing Sheets



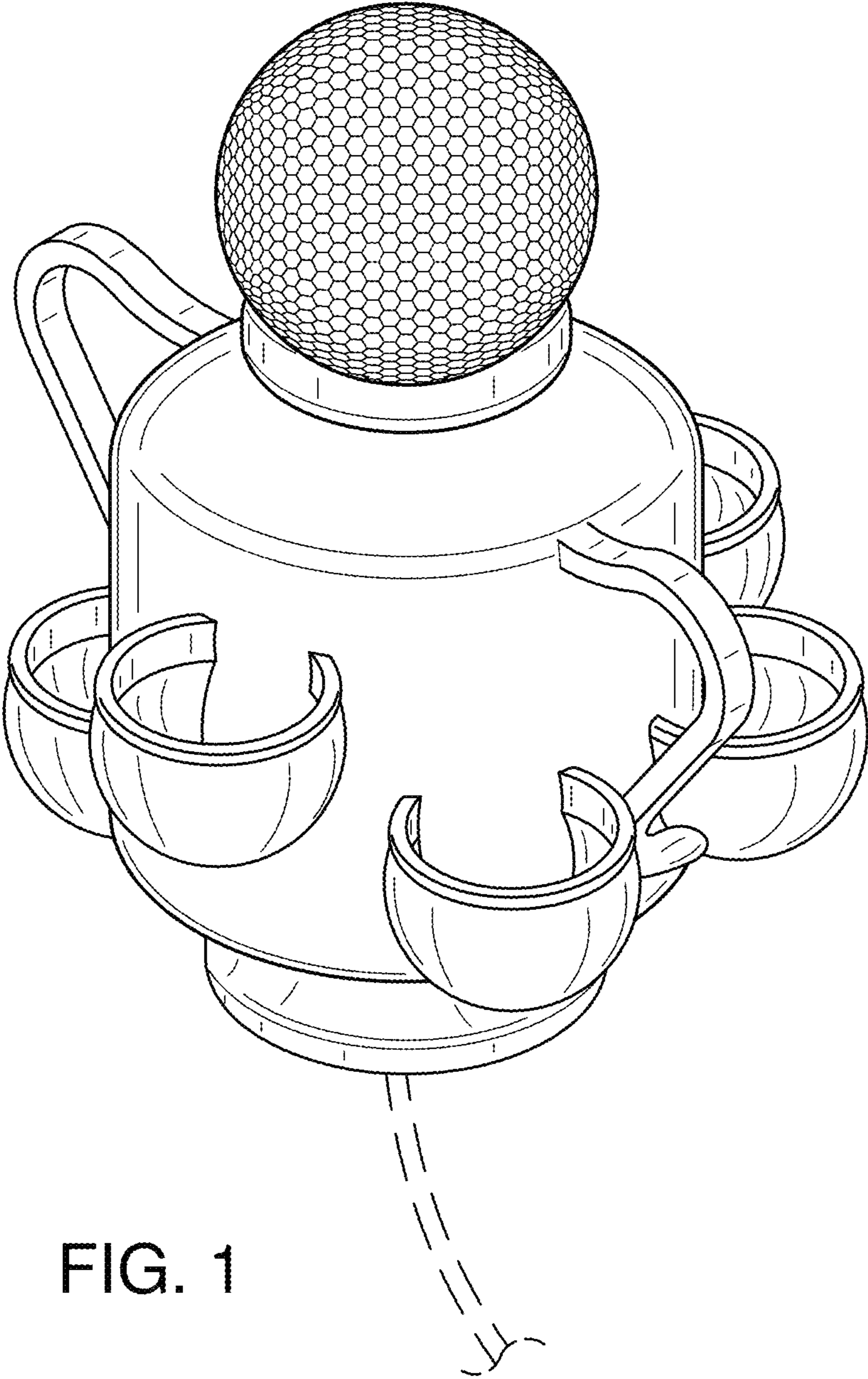


FIG. 1

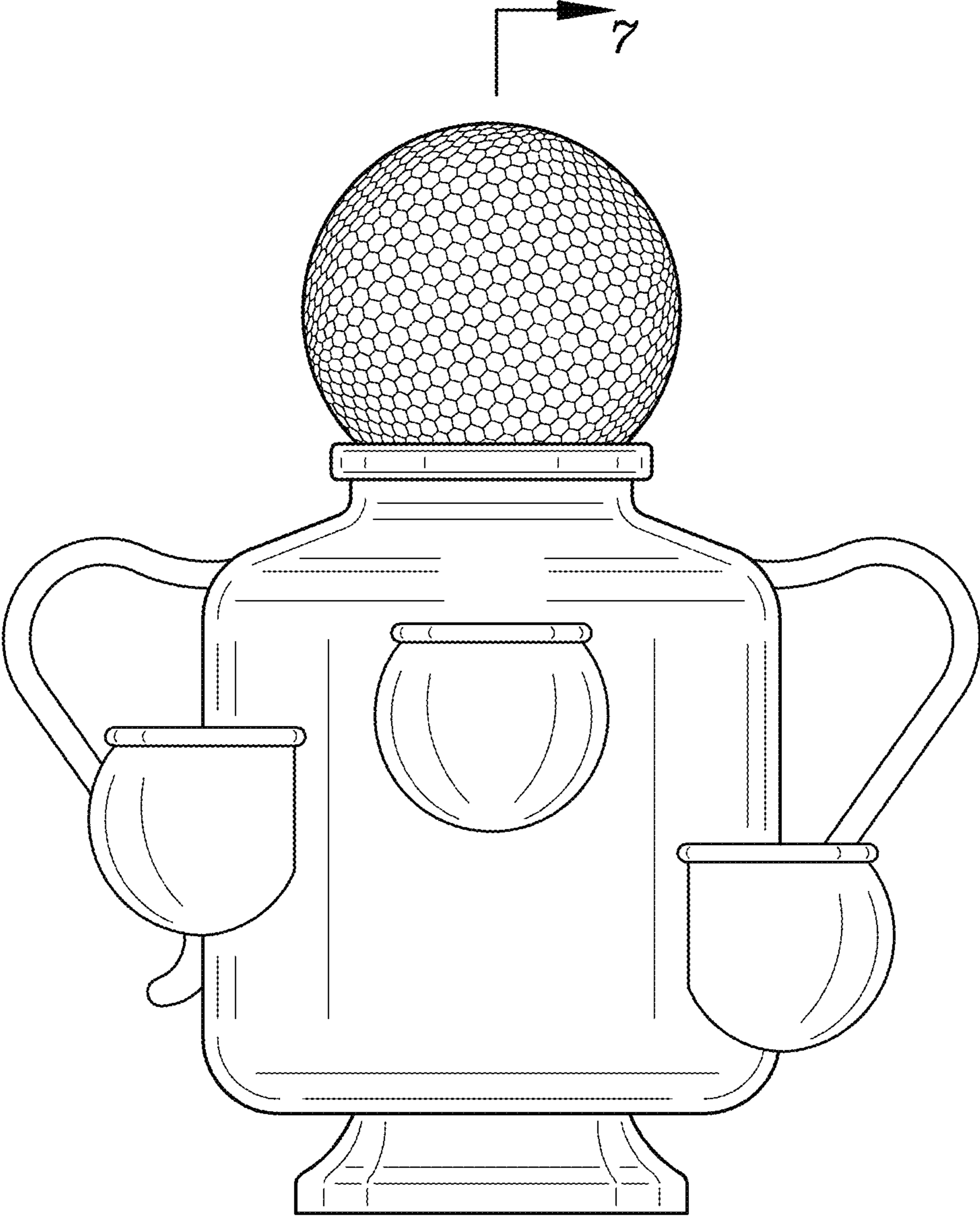


FIG. 2

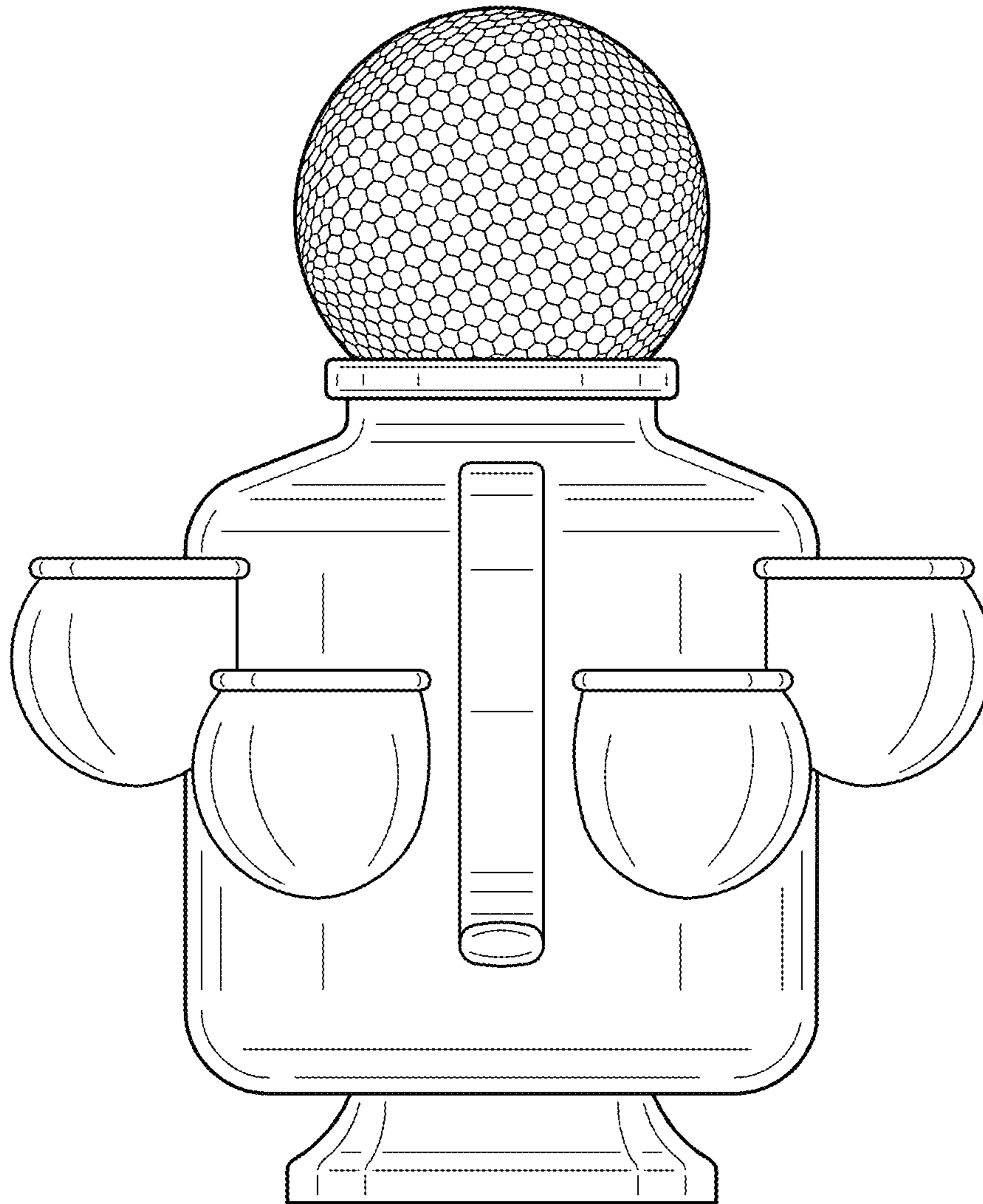


FIG. 3

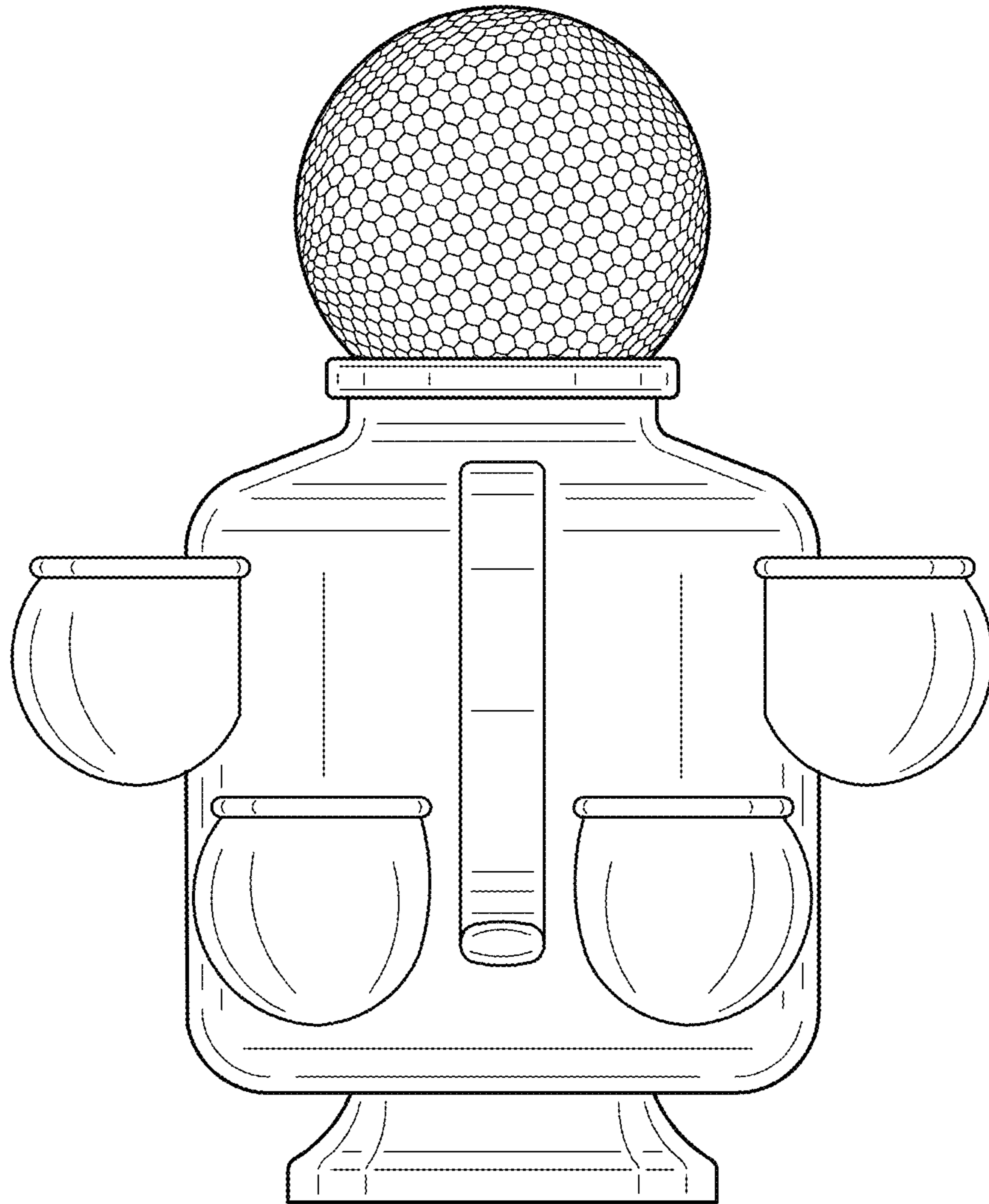


FIG. 4

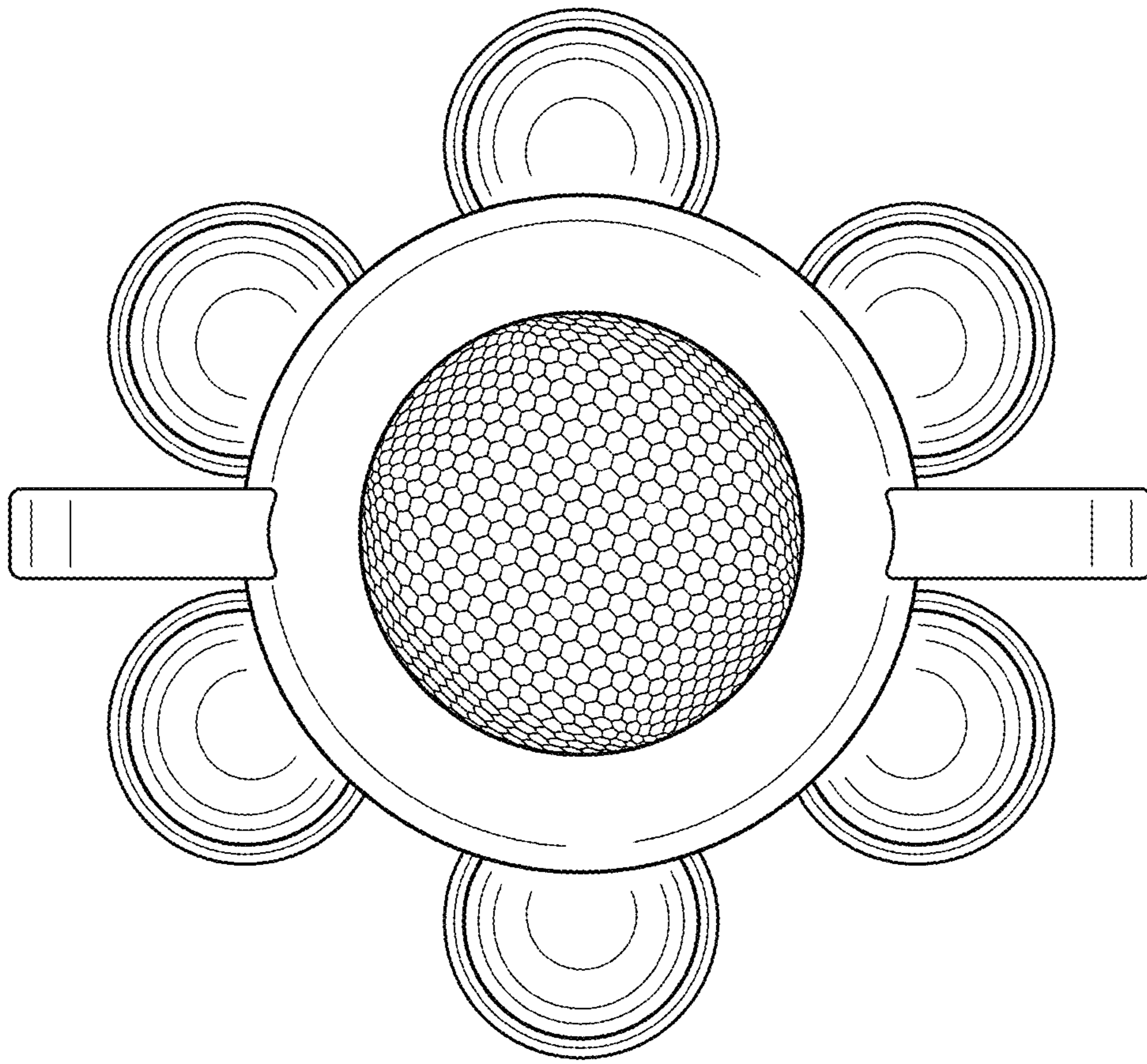


FIG. 5

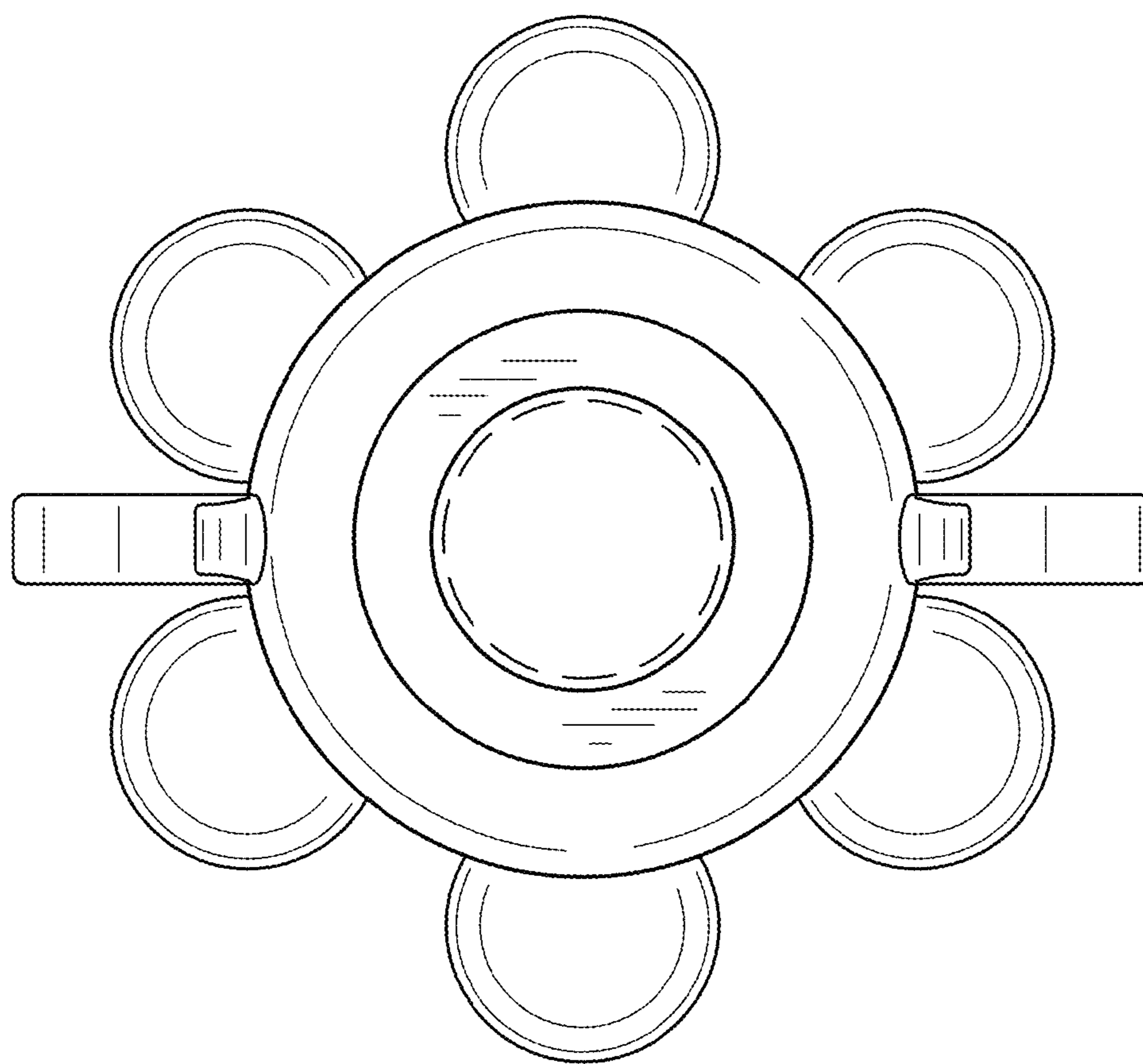


FIG. 6

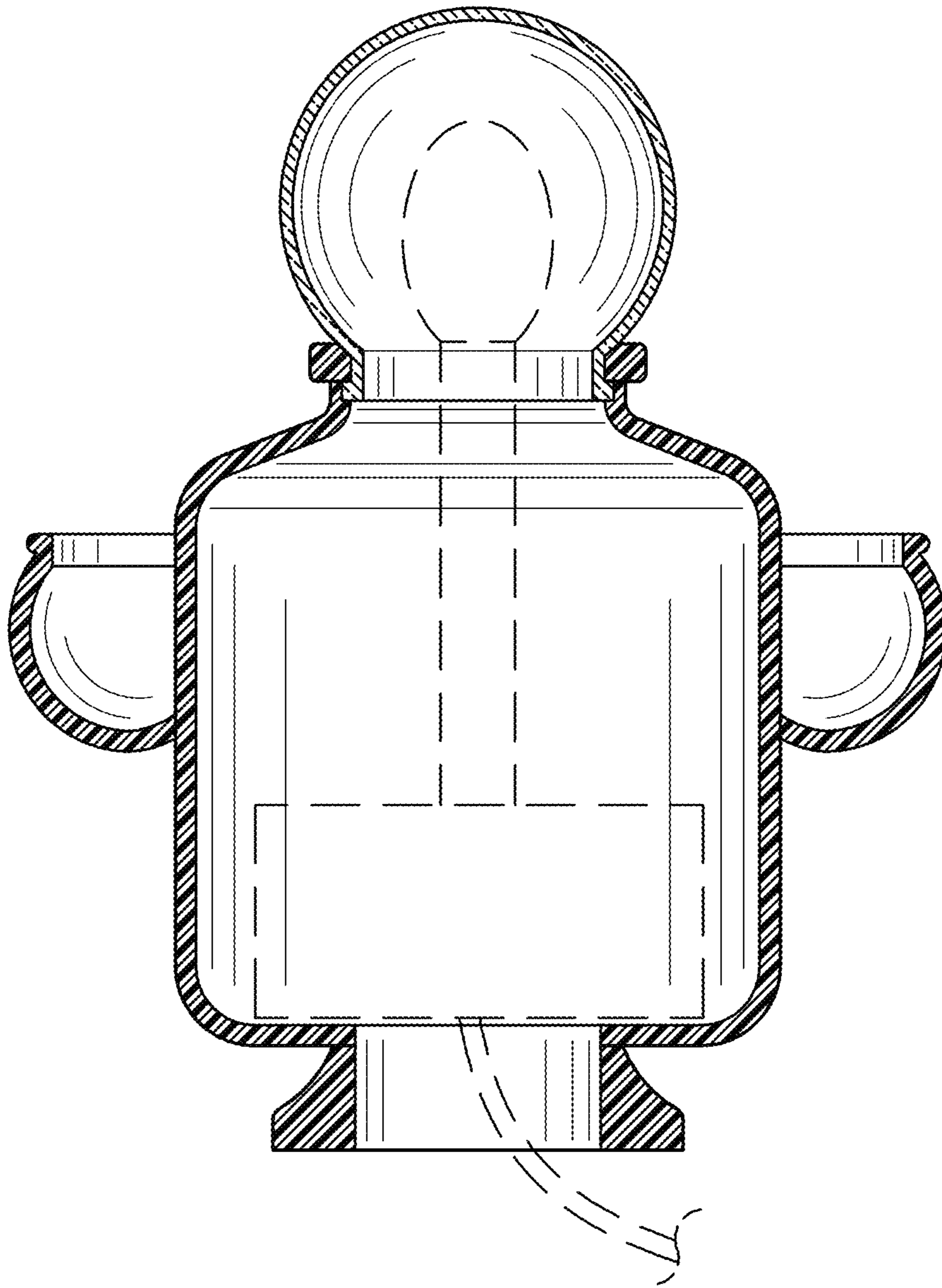


FIG. 7