



US00D727787S

(12) **United States Design Patent**
Akana et al.

(10) **Patent No.:** **US D727,787 S**
(45) **Date of Patent:** **** Apr. 28, 2015**

(54) **BAND ATTACHMENT**

(71) Applicant: **Apple Inc.**, Cupertino, CA (US)
(72) Inventors: **Jody Akana**, San Francisco, CA (US);
Bartley K. Andre, Palo Alto, CA (US);
Shota Aoyagi, San Francisco, CA (US);
Anthony Michael Ashcroft, San Francisco, CA (US);
Jeremy Bataillou, San Francisco, CA (US);
Daniel J. Coster, San Francisco, CA (US);
Daniele De Iuliis, San Francisco, CA (US);
M. Evans Hankey, San Francisco, CA (US);
Julian Hoenig, San Francisco, CA (US);
Richard P. Howarth, San Francisco, CA (US);
Jonathan P. Ive, San Francisco, CA (US);
Duncan Robert Kerr, San Francisco, CA (US);
Marc A. Newson, London (GB);
Matthew Dean Rohrbach, San Francisco, CA (US);
Peter Russell-Clarke, San Francisco, CA (US);
Benjamin Andrew Shaffer, San Jose, CA (US);
Mikael Silvanto, San Francisco, CA (US);
Christopher J. Stringer, Woodside, CA (US);
Eugene Antony Whang, San Francisco, CA (US);
Rico Zörkendörfer, San Francisco, CA (US)

(73) Assignee: **Apple Inc.**, Cupertino, CA (US)

(**) Term: **14 Years**

(21) Appl. No.: **29/501,763**

(22) Filed: **Sep. 8, 2014**

Related U.S. Application Data

(63) Continuation of application No. 29/498,987, filed on Aug. 11, 2014.

(51) **LOC (10) Cl.** **11-01**

(52) **U.S. Cl.**
USPC **D11/94**

(58) **Field of Classification Search**

CPC A44C 5/107; A44C 5/02; A44C 5/022;
A44C 5/025; A44C 5/027; A44C 5/04;
A44C 5/06; A44C 5/08; A44C 5/10; A44C
5/102; A44C 5/105; A44C 11/00; A44C
11/002; A44C 11/005; A44C 11/007; A44C
13/00
USPC D11/1–25, 32, 93, 94; 59/78, 79.2;
63/1.11, 3, 3.1, 3.2, 5.1, 5.2, 7–11;
224/175; D10/30–32

See application file for complete search history.

(56) **References Cited**

U.S. PATENT DOCUMENTS

3,030,686 A * 4/1962 Burkhardt 24/265 B
3,665,565 A * 5/1972 Kruger 24/265 WS
3,675,284 A * 7/1972 Rieth 24/265 B
5,363,351 A 11/1994 Carney
D473,818 S * 4/2003 Salvisberg D11/93
D494,098 S * 8/2004 Cohen D11/235
8,601,784 B2 * 12/2013 Kaltenrieder 59/78
2014/0096345 A1 4/2014 Tschumi
2014/0098649 A1 4/2014 Tschumi

FOREIGN PATENT DOCUMENTS

EP 2636328 A1 9/2013
GB 618917 A 3/1949
GB 2082277 5/1984
WO 2013182397 A1 12/2013

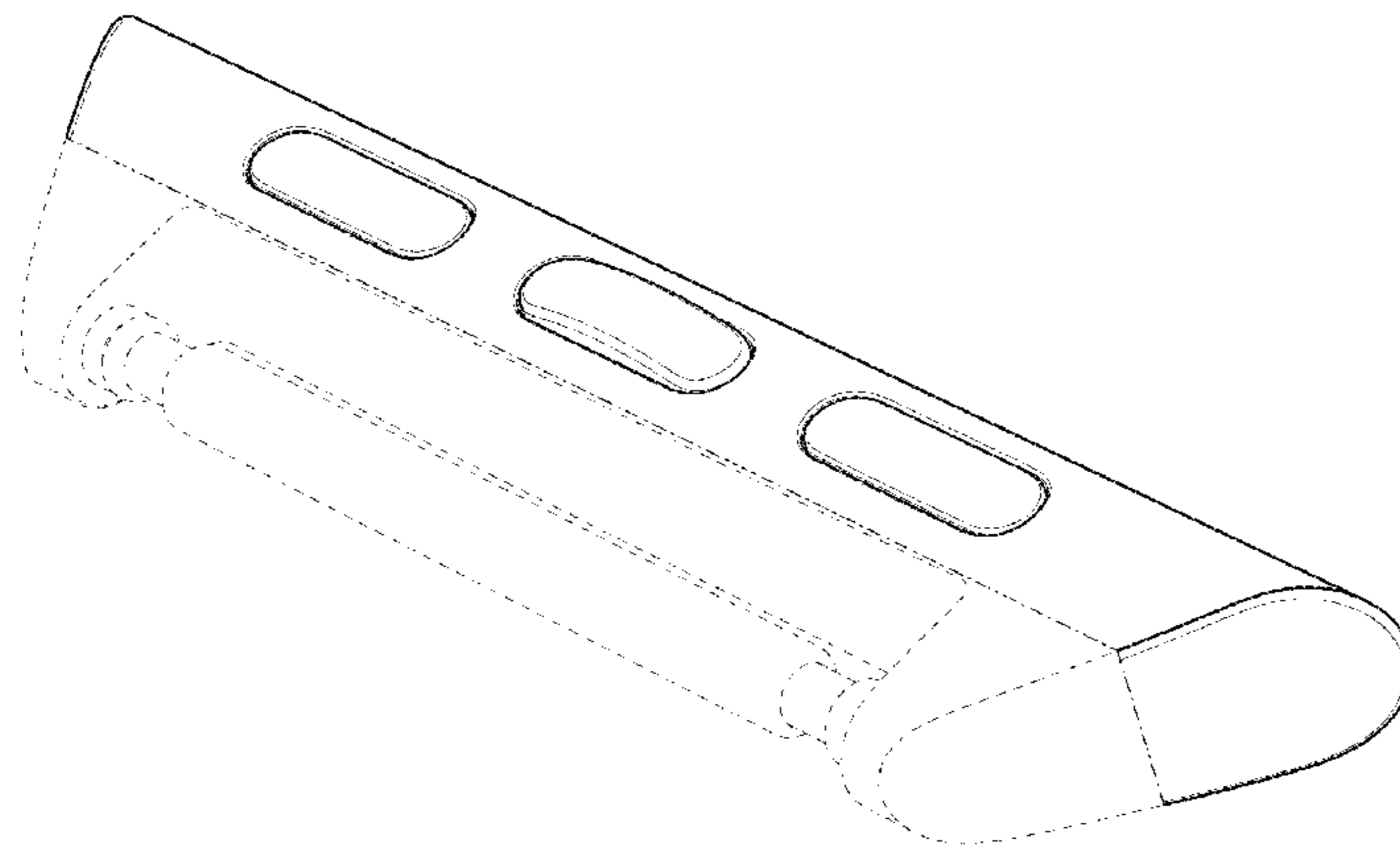
OTHER PUBLICATIONS

etsy.com, “1 Set Silver End Cap Clasp—Findings Large Toggle Clasp End Caps Buckle Connector with Five Inside Loops for Jewelry Making 26mm,” <<http://www.etsy.com/listing/101269004/1-set-silver-end-cap-clasp-findings?ref=market>>, Listed on Aug. 29, 2014, accessed Oct. 9, 2014.

* cited by examiner

Primary Examiner — Zenia Bennett

(74) *Attorney, Agent, or Firm* — Sterne, Kessler, Goldstein & Fox P.L.L.C.



(57)

CLAIM

The ornamental design for a band attachment, as shown and described.

DESCRIPTION

FIG. 1 is a bottom front perspective view of a band attachment showing our new design;
FIG. 2 is a bottom rear perspective view thereof;
FIG. 3 is a front view thereof;

FIG. 4 is a rear view thereof;
FIG. 5 is a left side view thereof;
FIG. 6 is a right side view thereof;
FIG. 7 is a top view thereof; and,
FIG. 8 is a bottom view thereof.

The dashed broken lines in the Figures show portions of the band attachment that form no part of the claimed design. The dot-dash broken lines in the Figures show boundaries that form no part of the claimed design.

1 Claim, 4 Drawing Sheets

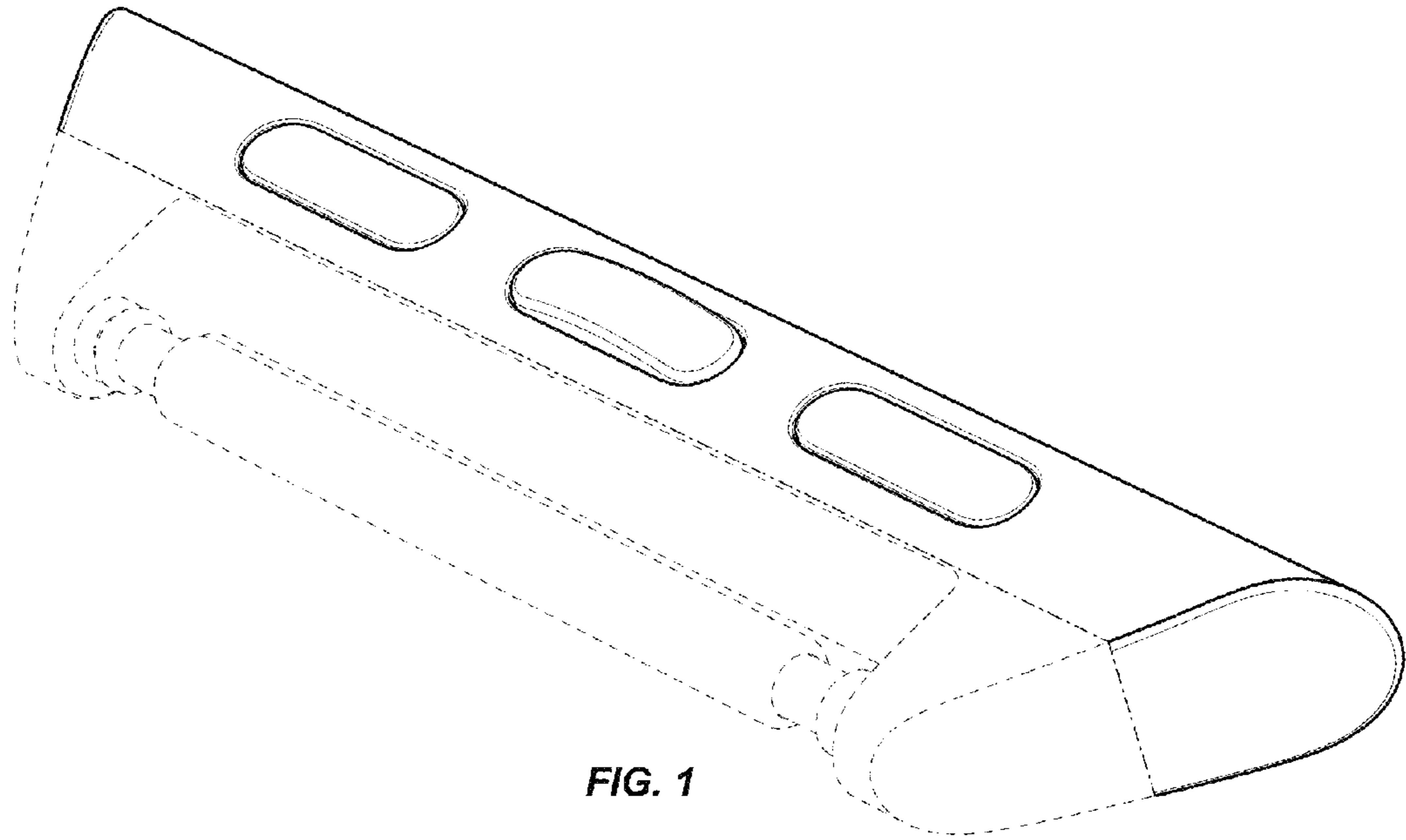


FIG. 1

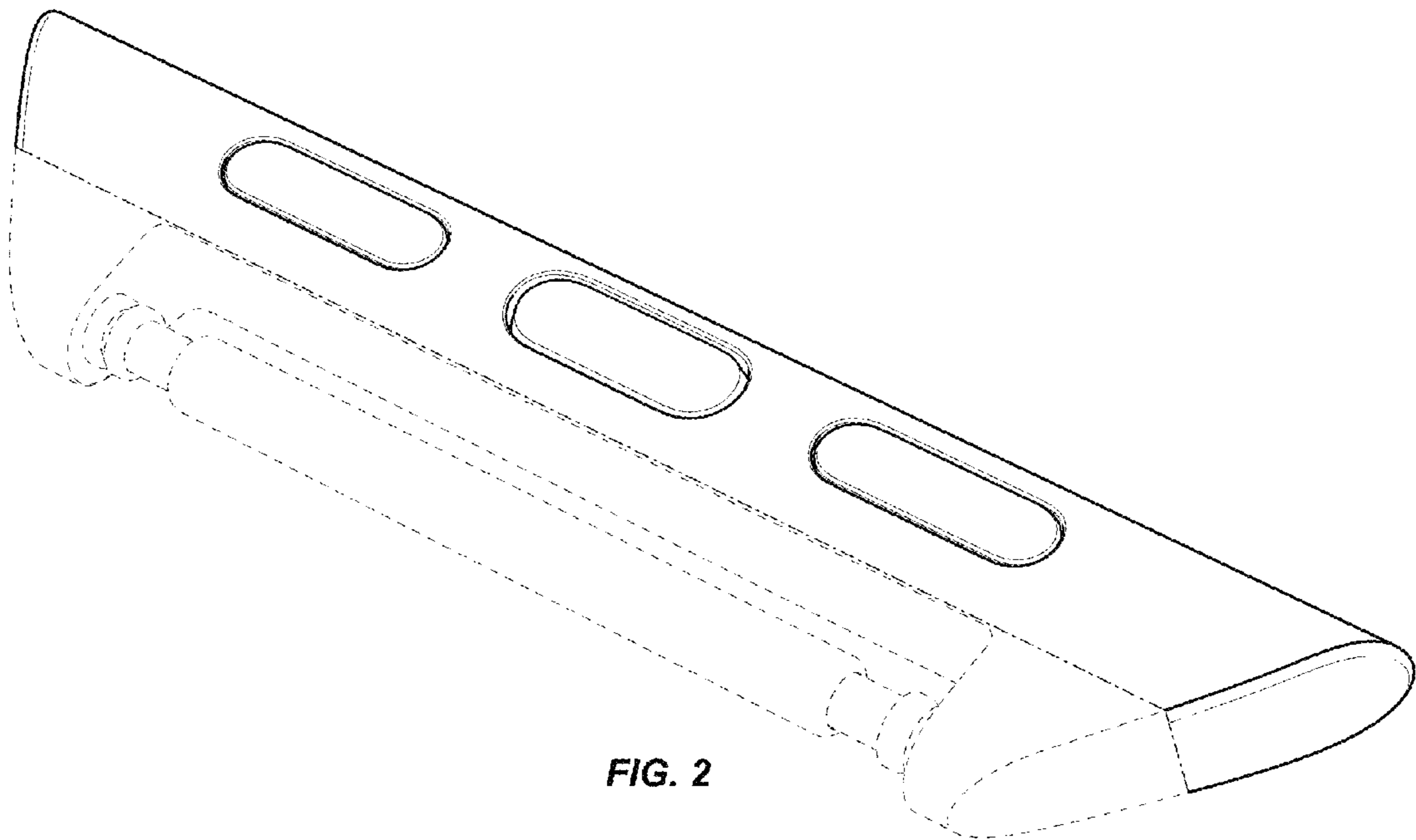


FIG. 2

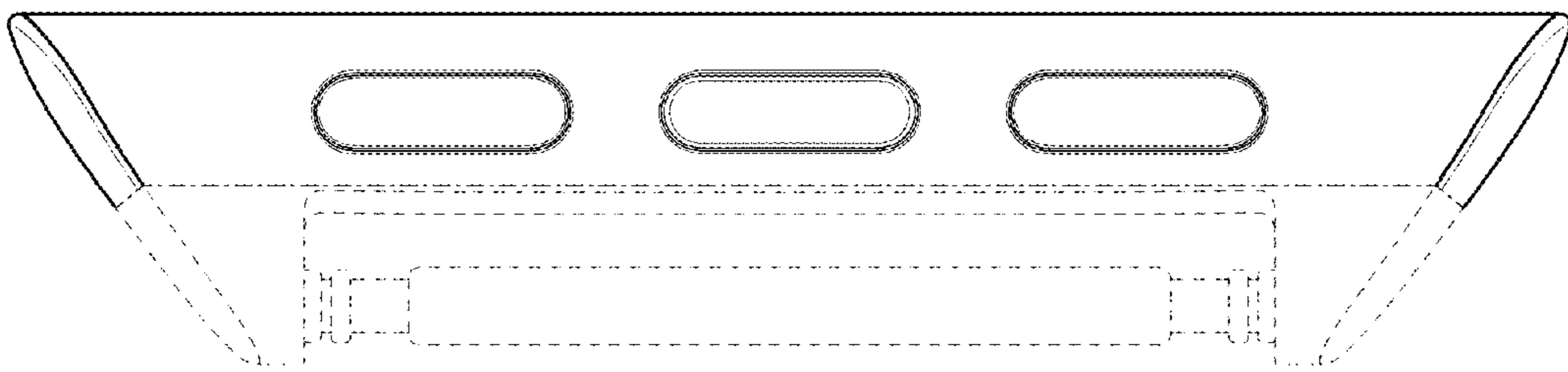


FIG. 3

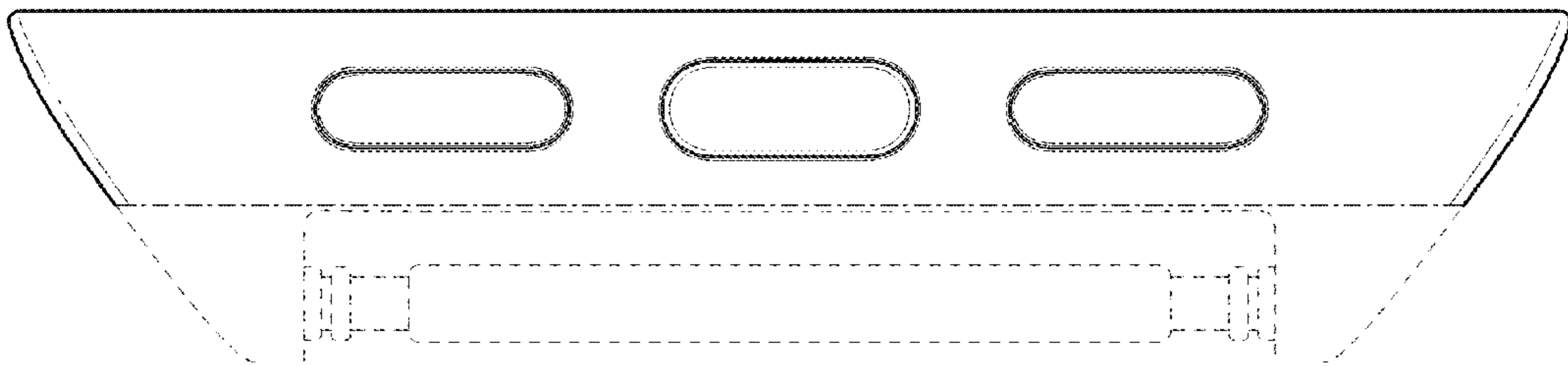


FIG. 4

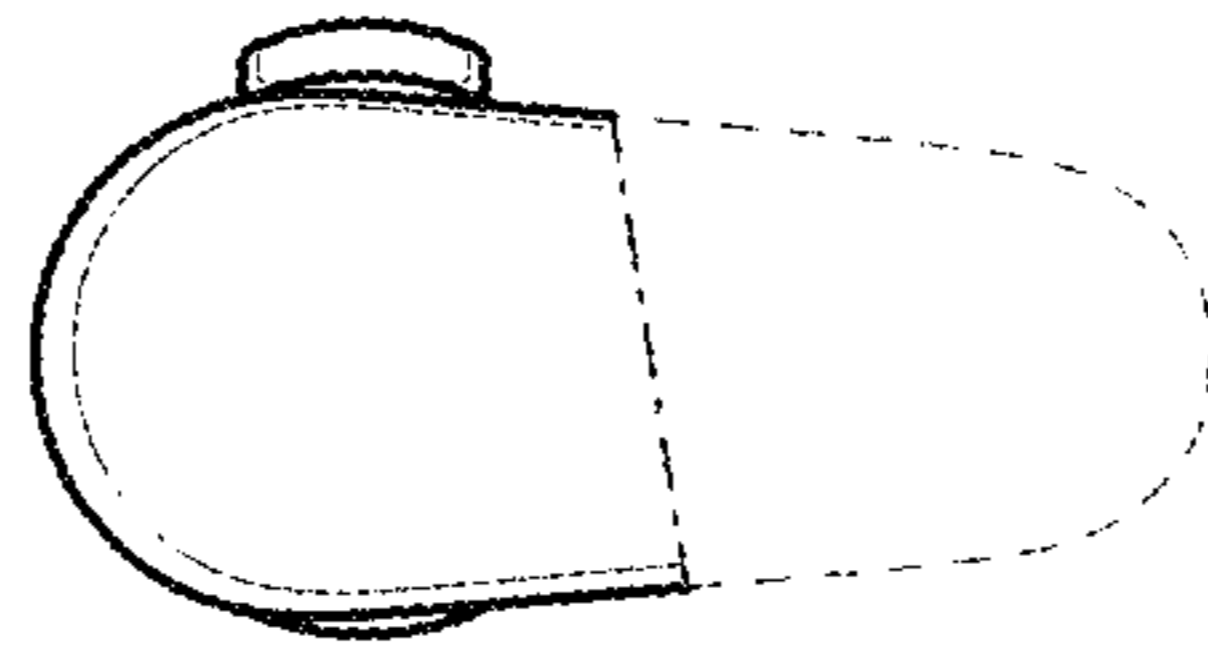


FIG. 5

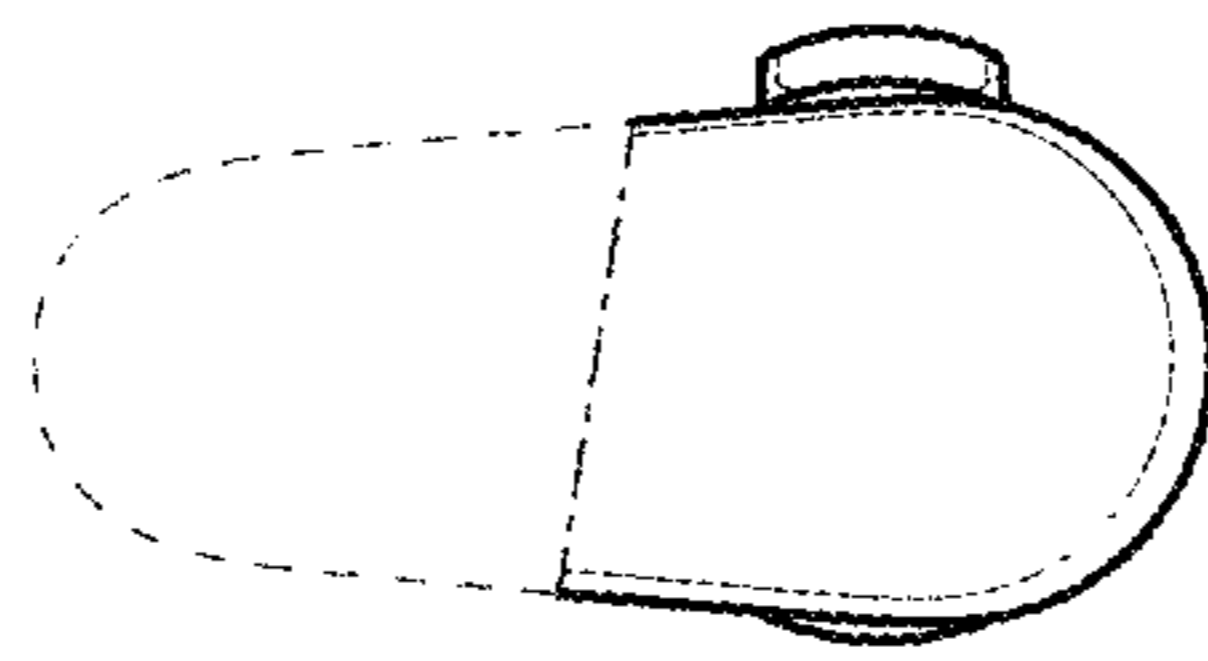


FIG. 6

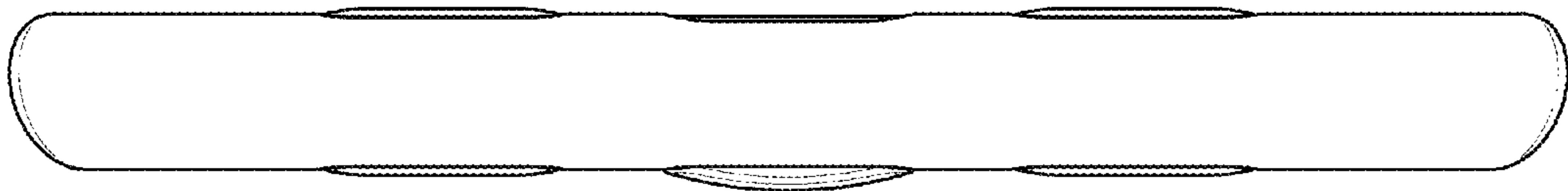


FIG. 7

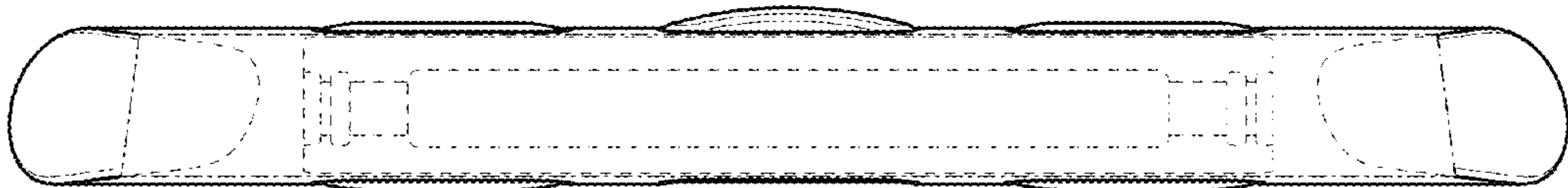


FIG. 8