



US00D727786S

(12) **United States Design Patent**
Shlakman

(10) **Patent No.:** **US D727,786 S**
(45) **Date of Patent:** **** Apr. 28, 2015**

- (54) **INFINITY HEAD FOR JEWELRY**
- (71) Applicant: **Fabrikant-Tara International LLC**,
New York, NY (US)
- (72) Inventor: **Jeffrey Shlakman**, Redondo Beach, CA
(US)
- (73) Assignee: **Fabrikant-Tara International LLC**,
New York, NY (US)
- (**) Term: **14 Years**
- (21) Appl. No.: **29/490,858**
- (22) Filed: **May 14, 2014**
- (51) **LOC (10) Cl.** **11-01**
- (52) **U.S. Cl.**
USPC **D11/92; D11/26**
- (58) **Field of Classification Search**
USPC D11/1, 2, 26-39, 40-42, 47, 48, 56, 66,
D11/69, 79-86, 91, 92, 200, 201, 202;
63/1.11, 12, 13, 15, 15.1-15.4, 15.45,
63/15.5, 15.6, 15.65, 15.7, 26-28, 29.1,
63/29.2, 40
See application file for complete search history.

- D530,640 S * 10/2006 Shah D11/30
- D603,288 S * 11/2009 Grosser-Samuels D11/26
- D628,112 S * 11/2010 Papadimitriou D11/26
- D686,102 S * 7/2013 Shlakman D11/26
- 2003/0188550 A1* 10/2003 Oki et al. 63/26

OTHER PUBLICATIONS

[Online] <http://ringspotters.com/images/6a0120a95f308c970b0147e27dcb4b970b.jpg>. Retrieved Feb. 18, 2015.*

* cited by examiner

Primary Examiner — Jennifer Rivard
Assistant Examiner — Melanie Pellegrini
(74) *Attorney, Agent, or Firm* — Levisohn Berger LLP

(57) **CLAIM**

The ornamental design for the infinity head for jewelry, as shown and described.

DESCRIPTION

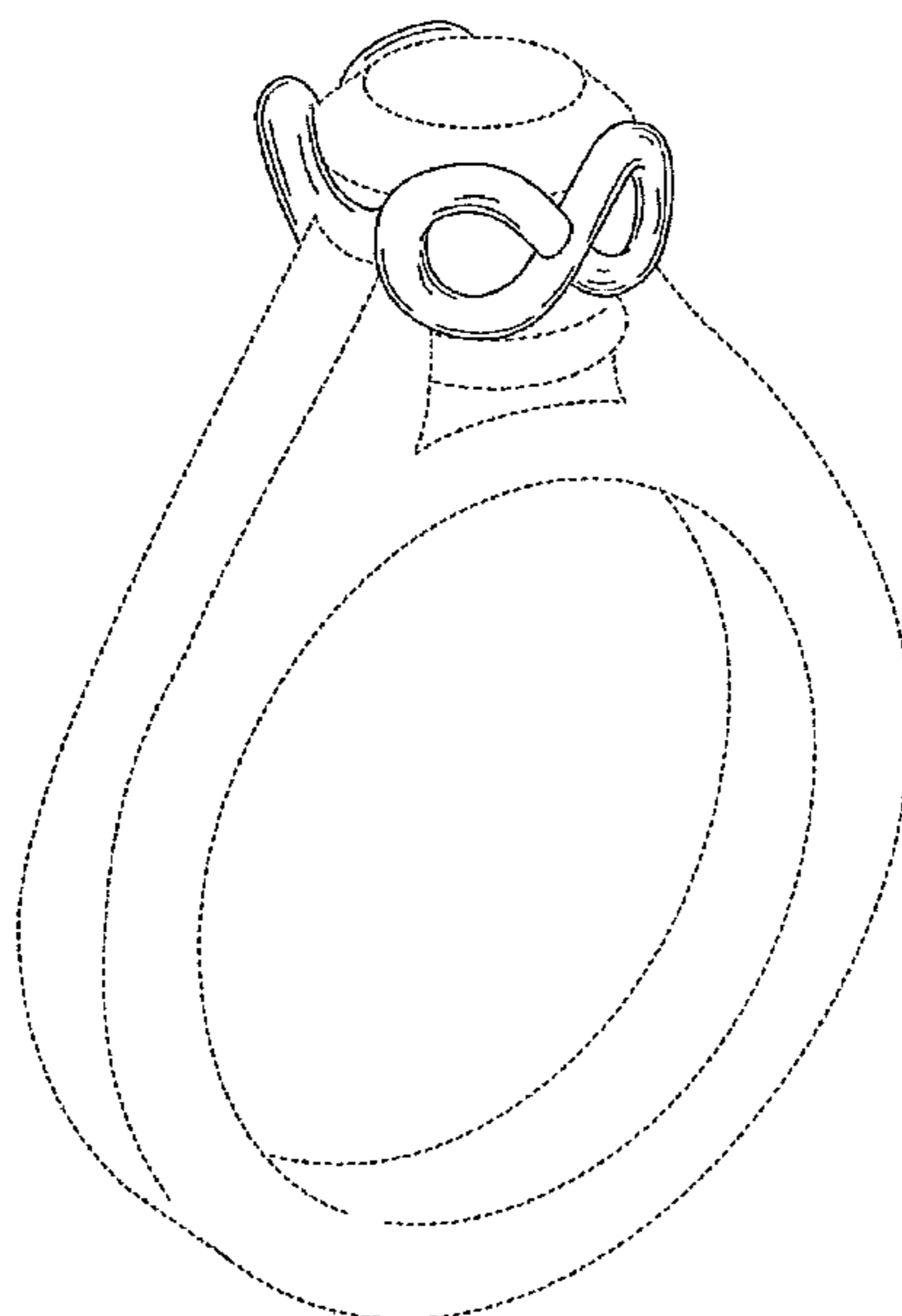
FIG. 1 is a front perspective view of an infinity head for jewelry showing my new design;
FIG. 2 is a front view thereof.
FIG. 3 is a rear view thereof.
FIG. 4 is a left view thereof.
FIG. 5 is a right view thereof.
FIG. 6 is a top view thereof.
FIG. 7 is a bottom view thereof.
FIG. 8 is an enlarged top perspective view thereof; and,
FIG. 9 is an enlarged front elevational view thereof.
The broken lines that connect the solid contour lines along the sides of the jewelry head illustrate the bounds of the claim. The remaining broken lines shown in the drawings represent environment. None of the broken lines form a part of the claimed design.

1 Claim, 7 Drawing Sheets

(56) **References Cited**

U.S. PATENT DOCUMENTS

- 694,594 A * 3/1902 Wittstein 63/27
- D36,619 S * 11/1903 Wittstein D11/36
- D36,622 S * 11/1903 Wittstein D11/92
- D53,600 S * 7/1919 Mountford D11/92
- D491,090 S * 6/2004 Osinga D11/26
- D491,091 S * 6/2004 Osinga D11/26
- 6,860,117 B2 * 3/2005 Turpanjian et al. 63/26
- D506,699 S * 6/2005 Aghjayan et al. D11/91
- D516,451 S * 3/2006 D'Annunzio D11/26



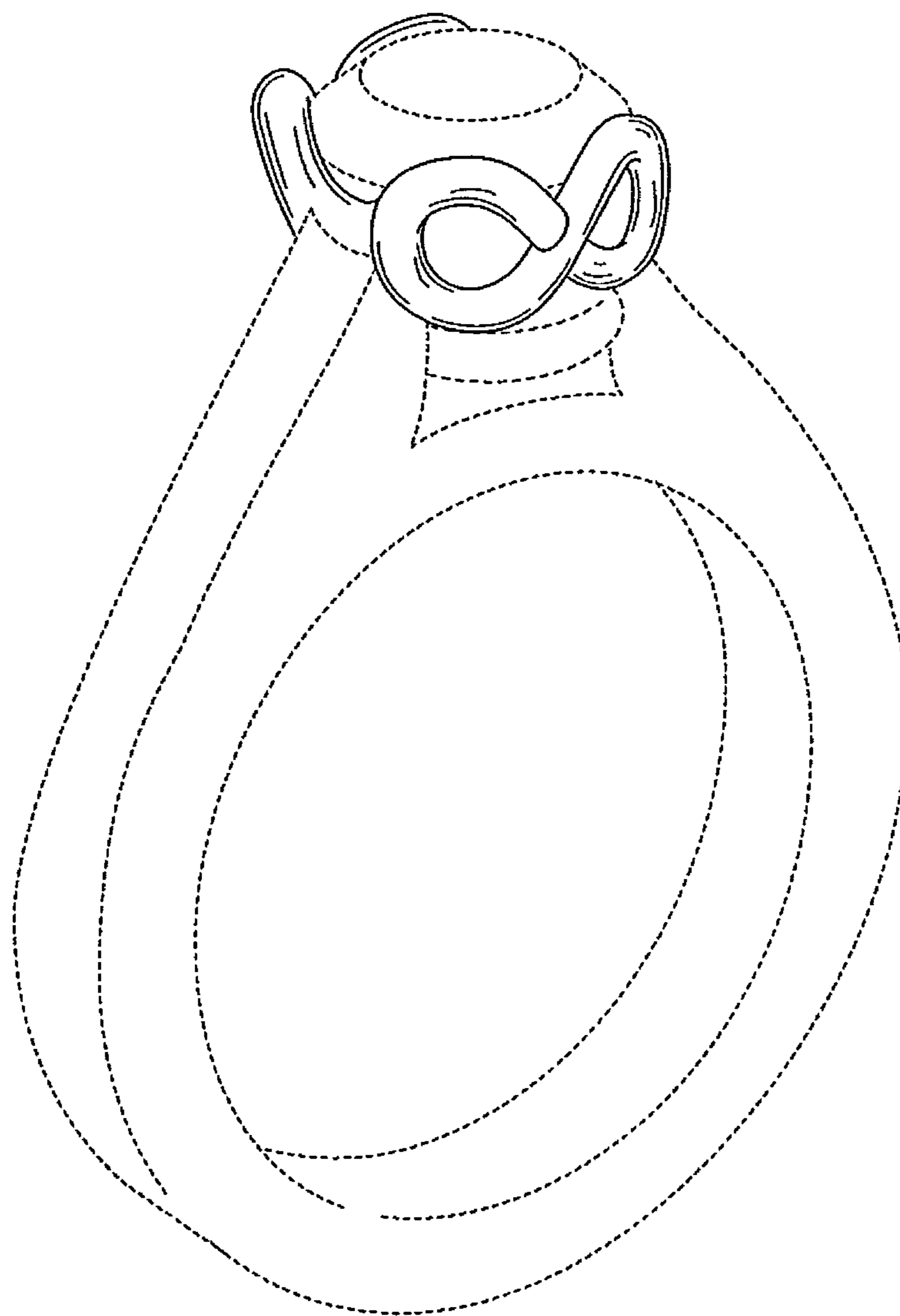


FIG. 1

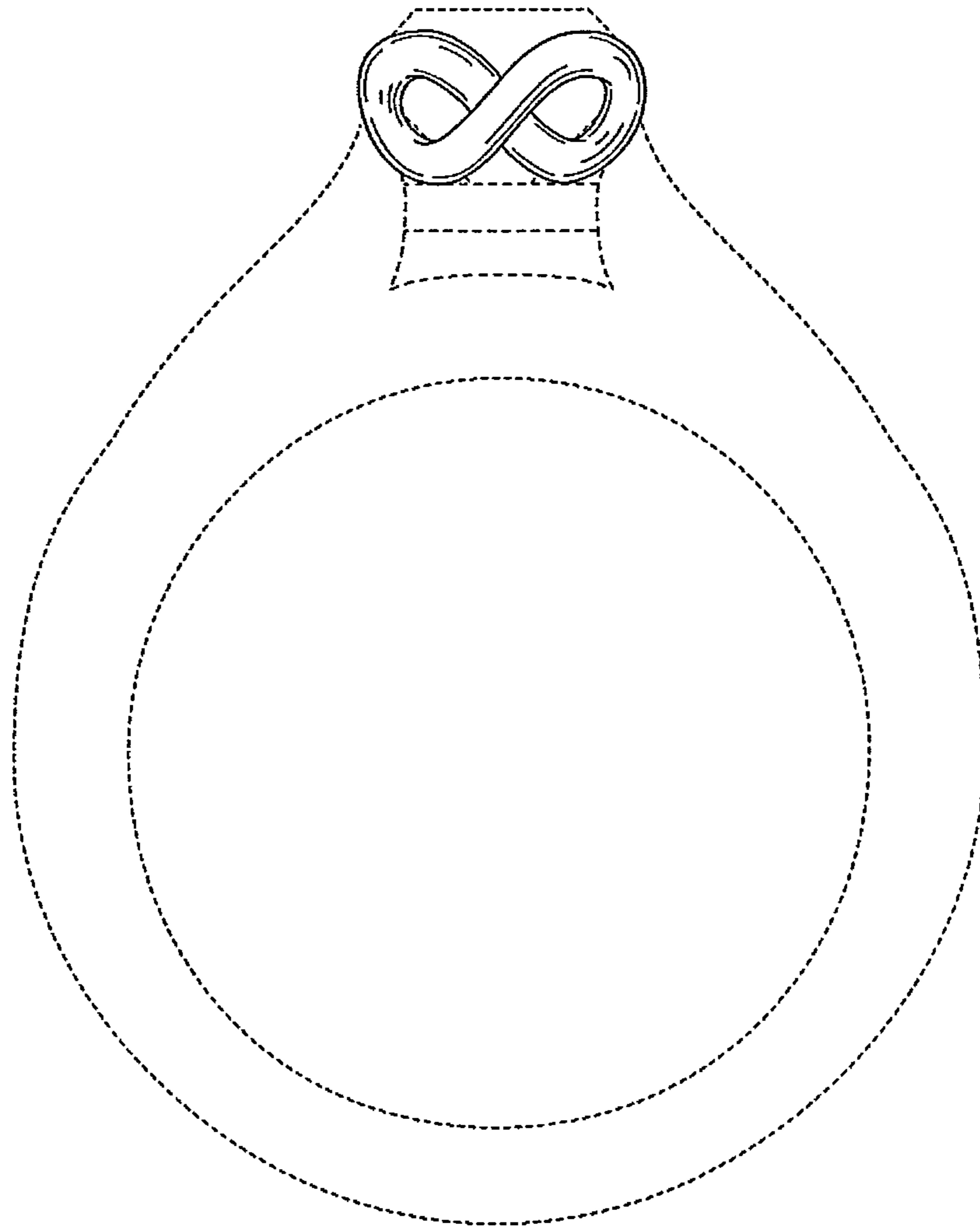


FIG. 2

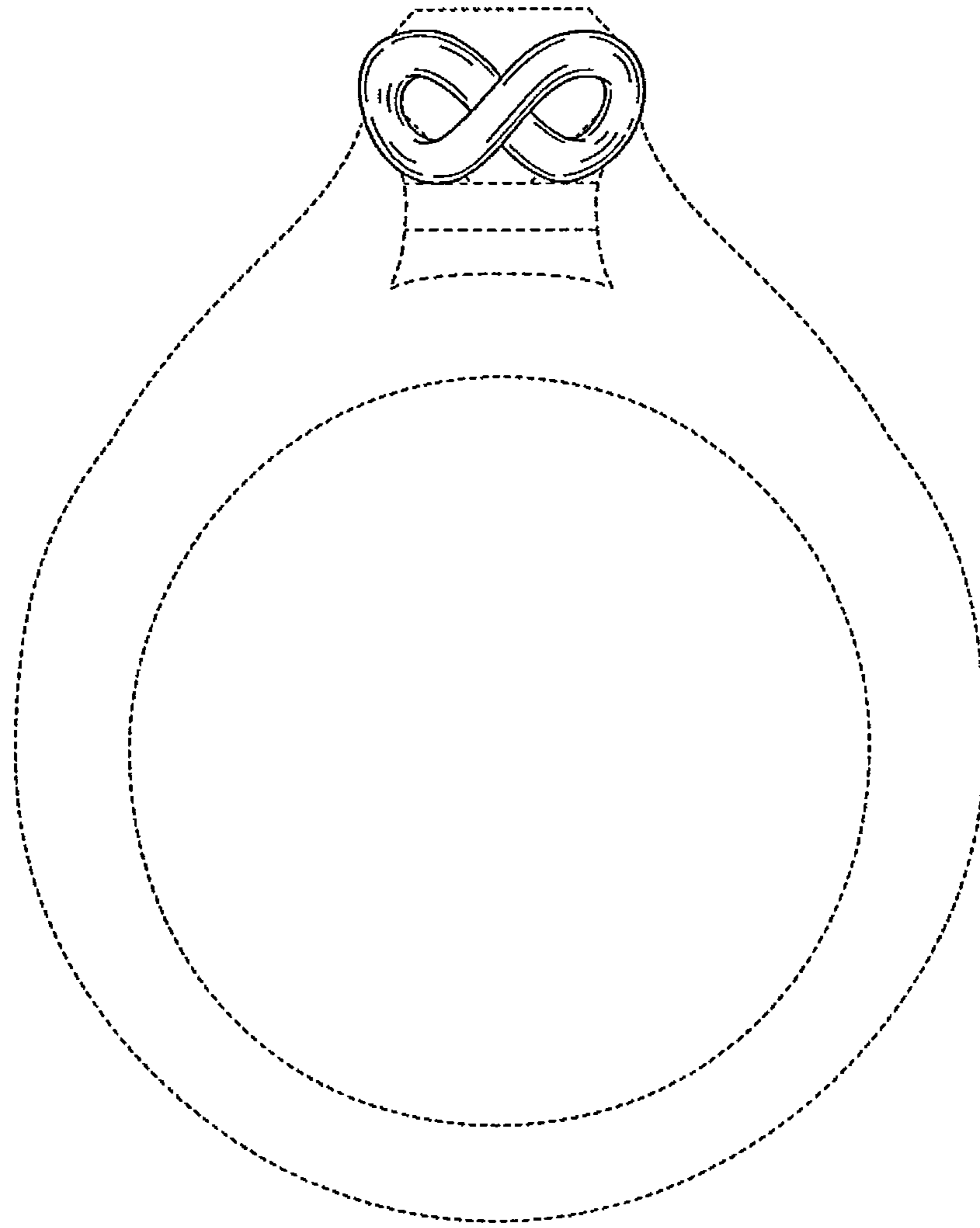


FIG. 3

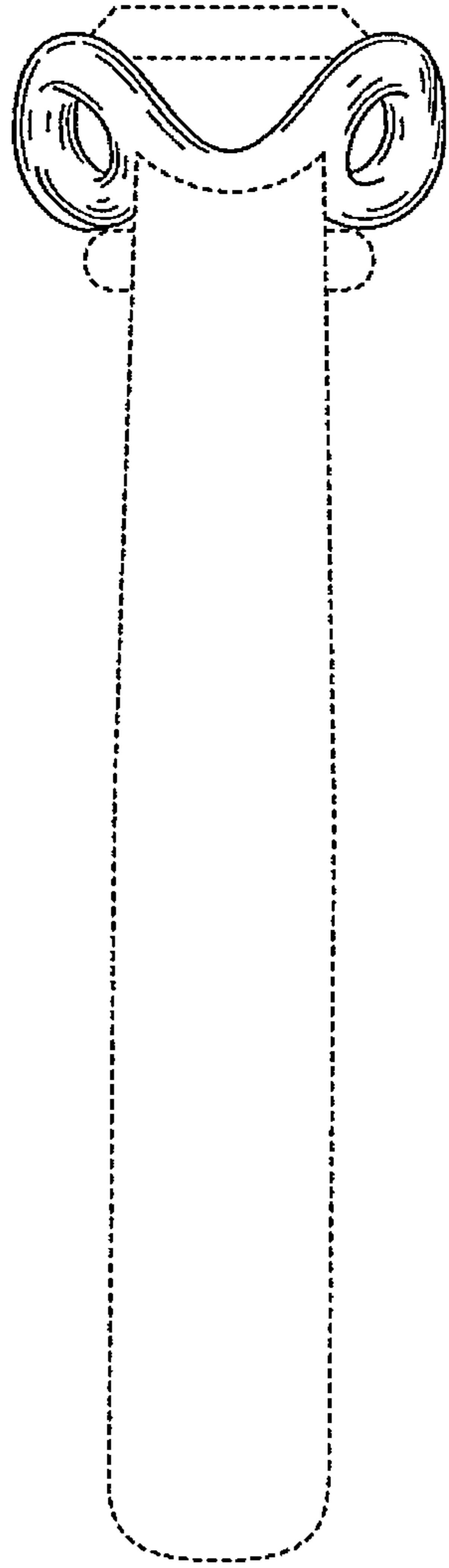


FIG. 4

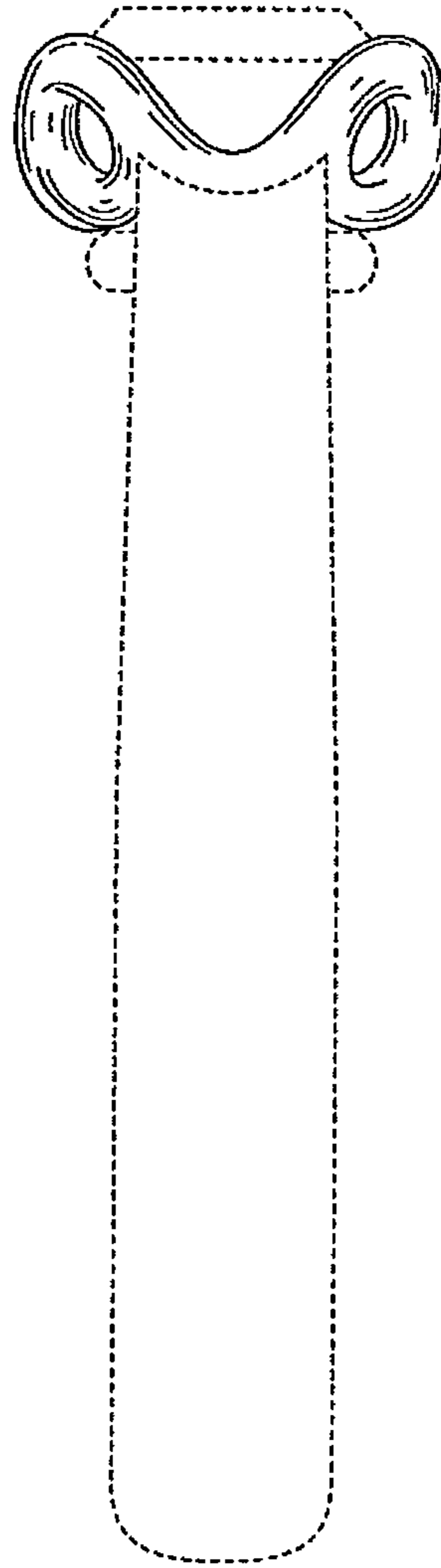


FIG. 5

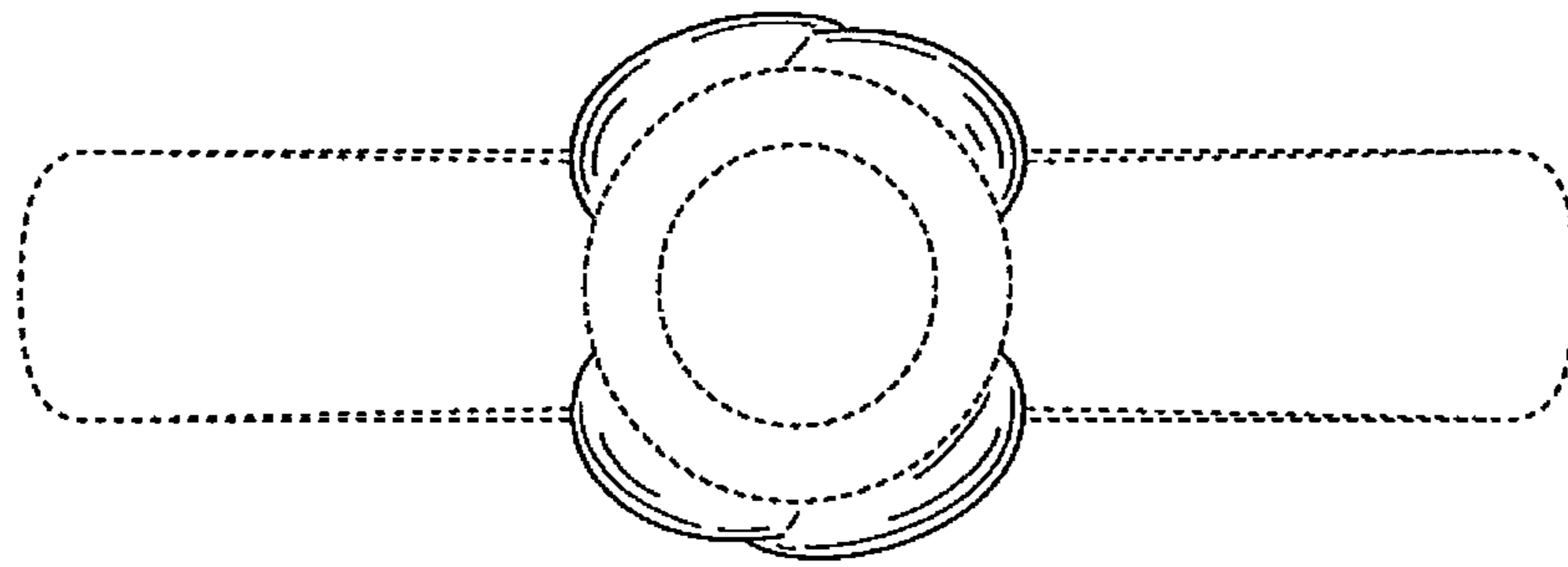


FIG. 6

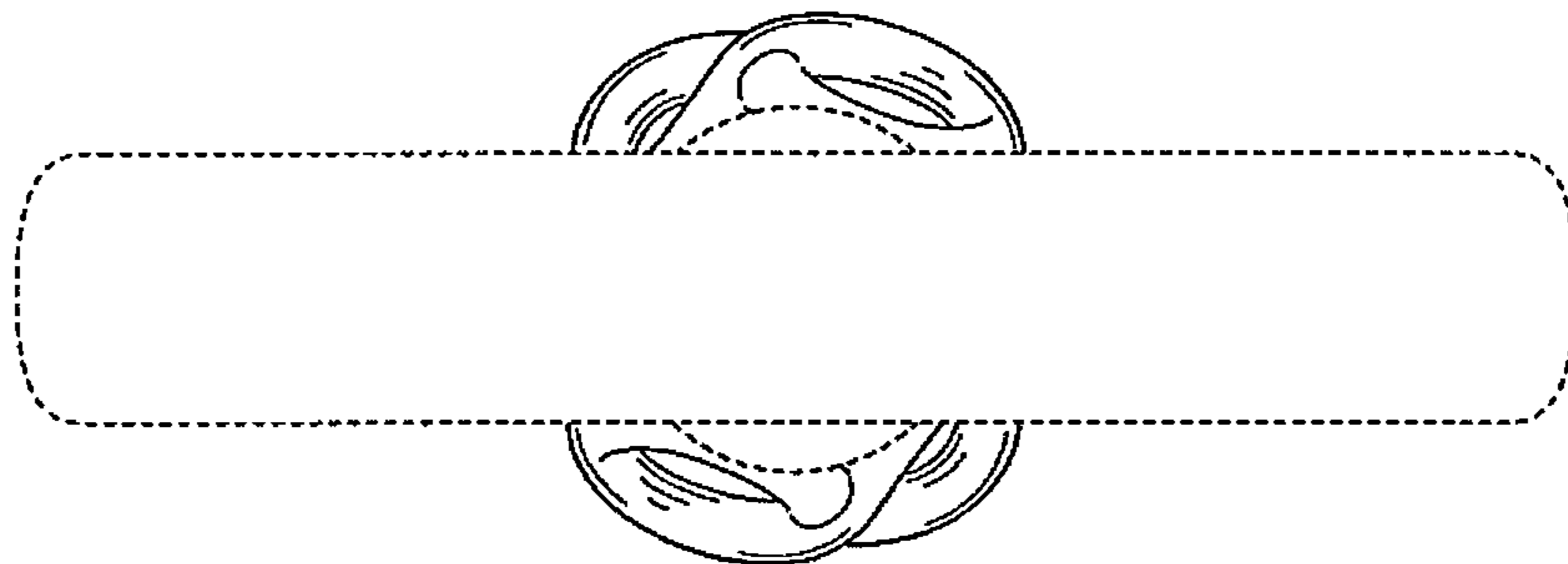


FIG. 7

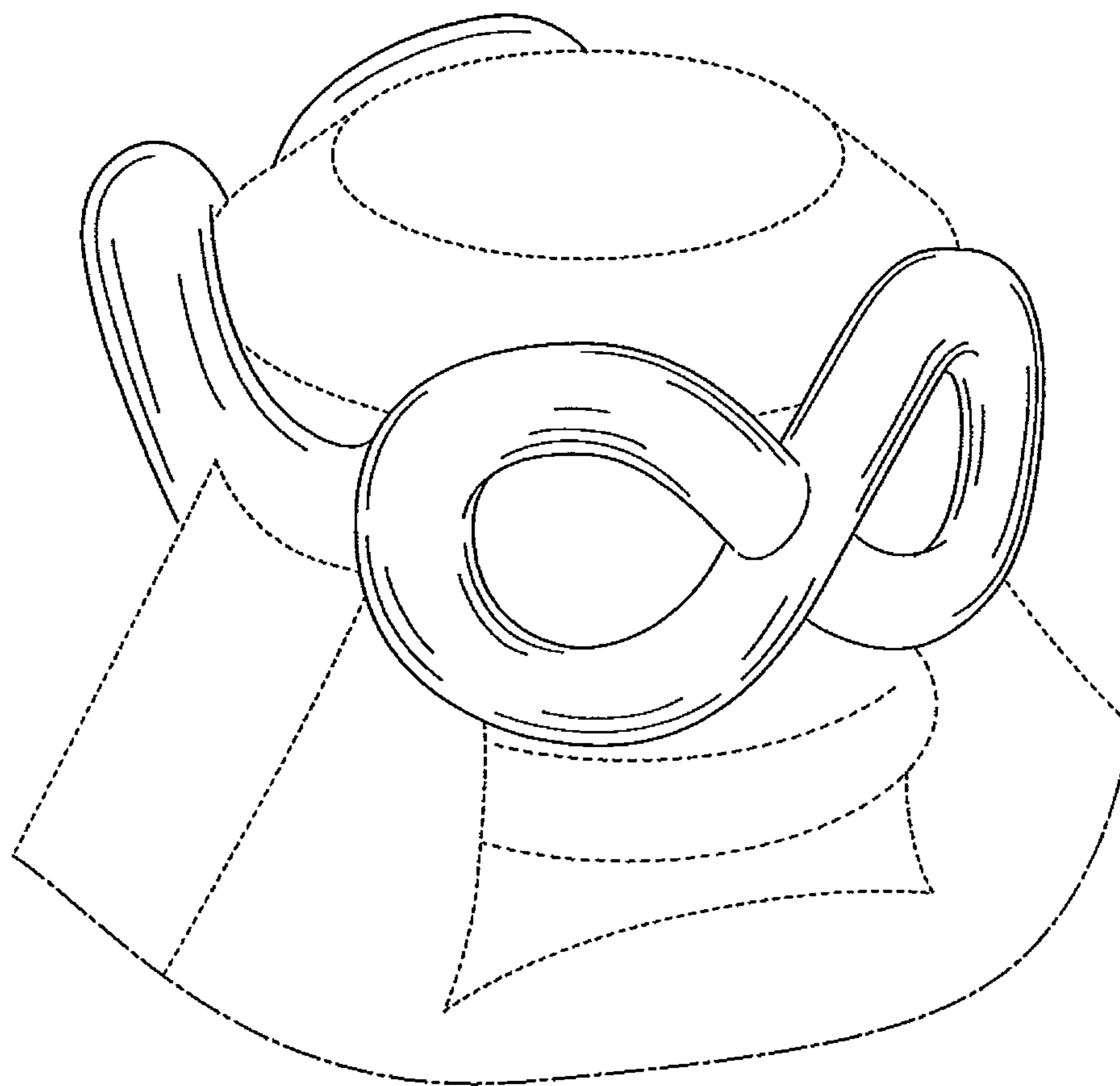


FIG. 8

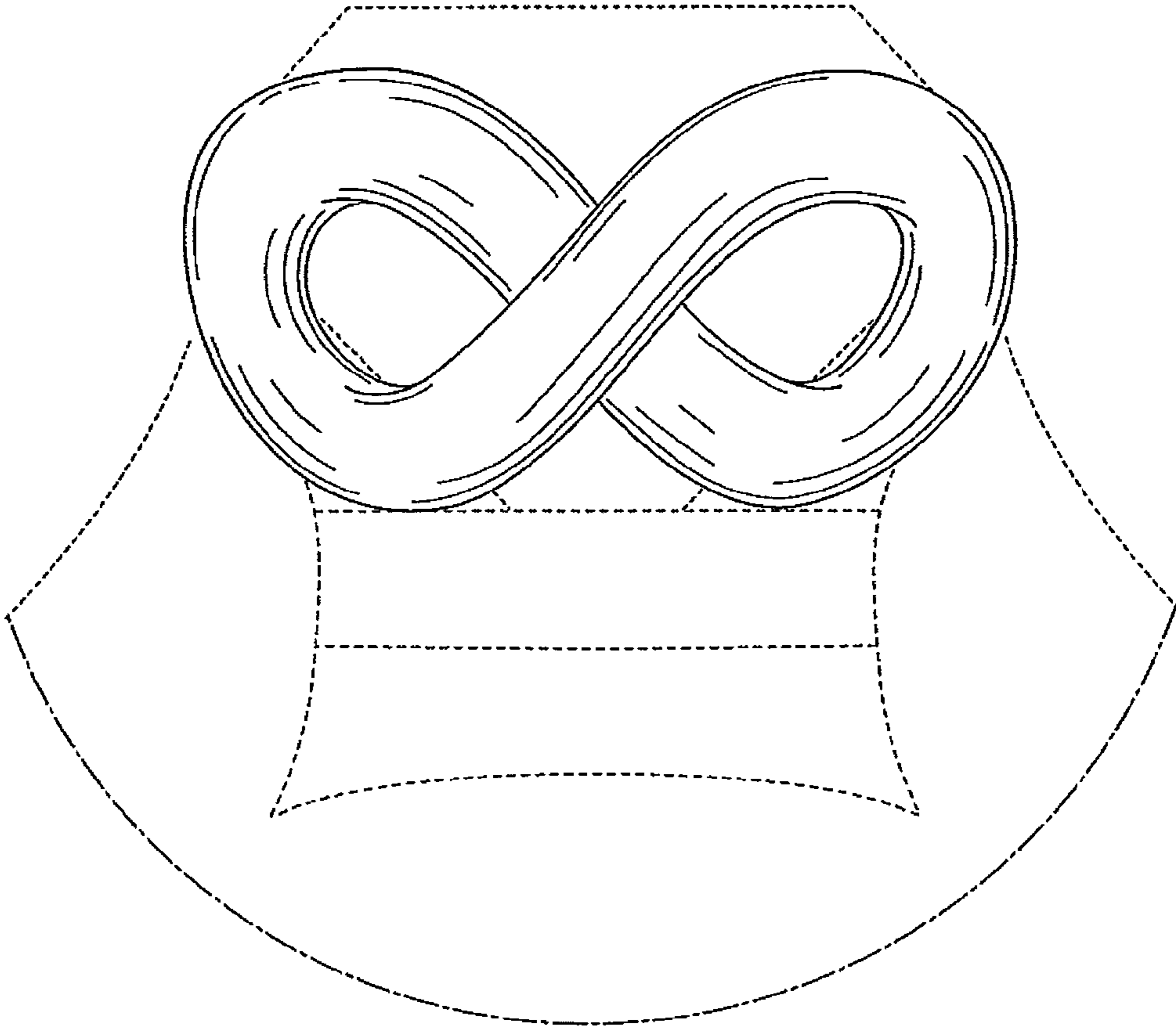


FIG. 9