



US00D72777S

(12) **United States Design Patent**
Yatsugi-Kang

(10) **Patent No.:** **US D727,777 S**

(45) **Date of Patent:** **** Apr. 28, 2015**

(54) **CHARM**

(71) Applicant: **Harry Winston SA**, Plan-les-Ouates (CH)

(72) Inventor: **Rie Yatsugi-Kang**, Cresskill, NJ (US)

(73) Assignee: **Harry Winston SA**, Plan-les-Ouates (CH)

(**) Term: **14 Years**

(21) Appl. No.: **29/503,360**

(22) Filed: **Sep. 25, 2014**

(30) **Foreign Application Priority Data**

Mar. 25, 2014 (WO) DM/083 200

(51) **LOC (10) Cl.** **11-01**

(52) **U.S. Cl.**
USPC **D11/81; D11/56**

(58) **Field of Classification Search**
USPC D11/1, 2, 7, 8, 40-43, 44, 47, 48, 56,
D11/79-86, 103, 26-39, 91, 92; 63/18, 19,
63/20, 26-28, 1.11; D3/211, 215
See application file for complete search history.

(56) **References Cited**

U.S. PATENT DOCUMENTS

D113,506 S *	2/1939	Burke	D11/80
D156,425 S *	12/1949	Katz	D11/56
D165,468 S *	12/1951	Katz	D11/56
D165,528 S *	12/1951	Katz	D11/56
D169,193 S *	3/1953	Philippe	D11/56
D177,969 S *	6/1956	Franklin	D11/83
D245,591 S *	8/1977	Rieger et al.	D11/44
D339,311 S *	9/1993	Ambar	D11/81
D369,988 S *	5/1996	Jacoby	D11/56
5,632,164 A *	5/1997	Bergagnini	63/23
D381,286 S *	7/1997	Udco	D11/81
D395,256 S *	6/1998	Udco	D11/56

D414,132 S *	9/1999	Ambar	D11/30
D444,409 S *	7/2001	Shriqui et al.	D11/81
6,324,868 B1 *	12/2001	Chen et al.	63/1.14
D455,670 S *	4/2002	Kurylo	D11/81
D455,975 S *	4/2002	Deorah	D11/40
6,804,977 B1 *	10/2004	Grabelle	63/3.1
D506,407 S *	6/2005	Gruosi-Scheufele	D11/54
D553,539 S *	10/2007	Arasheben et al.	D11/83
D589,391 S *	3/2009	Sandberg	D11/86
D598,803 S *	8/2009	Momjian	D11/81
D599,244 S *	9/2009	Momjian	D11/81
D628,934 S *	12/2010	Fernandez Rives	D11/79
D667,335 S *	9/2012	Kothari	D11/91

(Continued)

OTHER PUBLICATIONS

[Online] <http://www.harrywinston.com/store/jewels/charms-collection/products/diamond-cluster-heart-by-harry-winston-in-platinum>. Retrieved Dec. 9, 2014.*

(Continued)

Primary Examiner — Garth Rademaker

Assistant Examiner — Melanie Pellegrini

(74) *Attorney, Agent, or Firm* — Donald J. Ranft; Kristen A. Mogavero; Collen IP

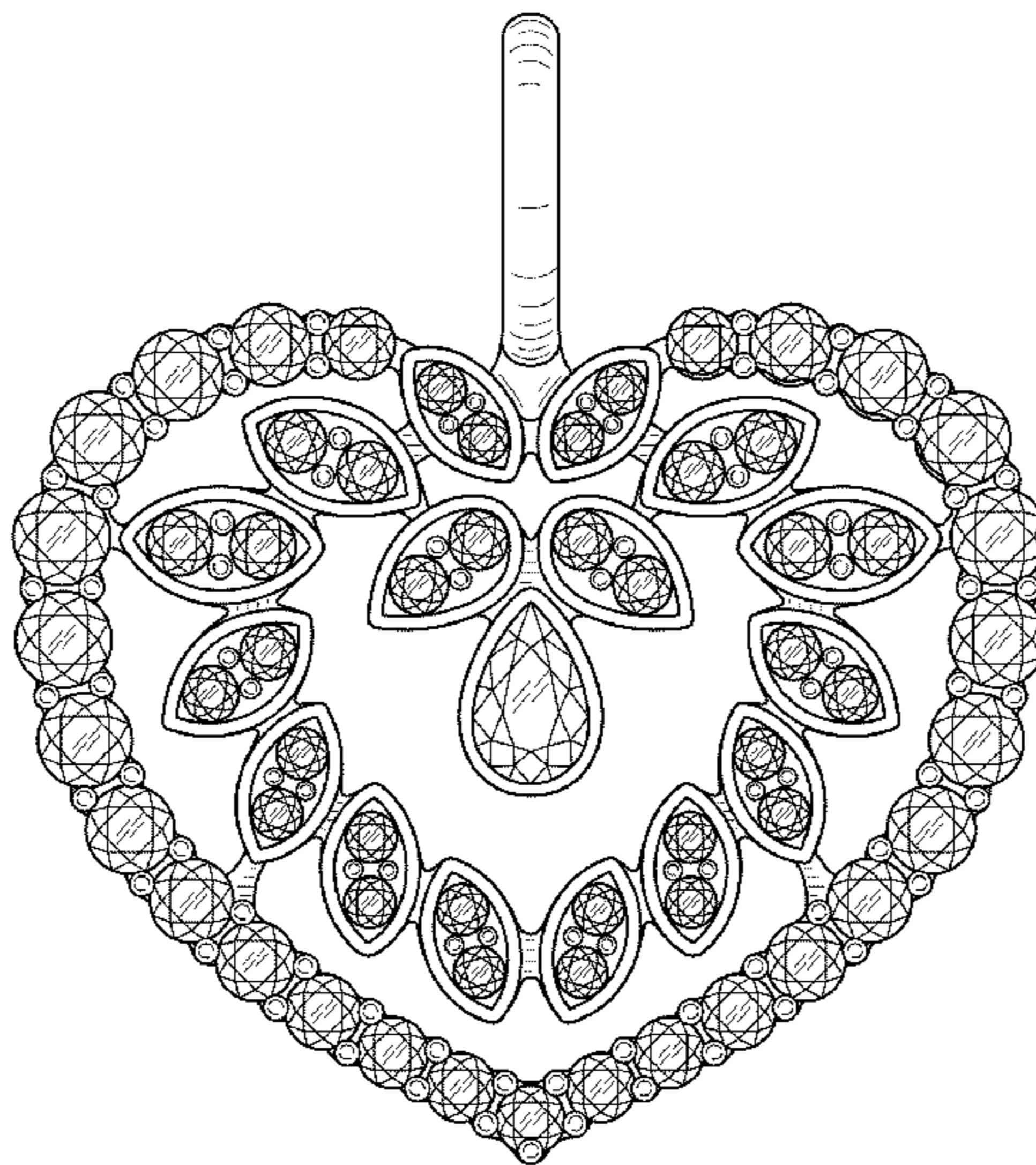
(57) **CLAIM**

The ornamental design for a charm, as shown.

DESCRIPTION

FIG. 1 is a front left perspective view of a charm showing my new design;
FIG. 2 is a rear right perspective view thereof;
FIG. 3 is a front view thereof;
FIG. 4 is a rear view thereof;
FIG. 5 is a left side view thereof;
FIG. 6 is a right side view thereof;
FIG. 7 is a top view thereof; and,
FIG. 8 is a bottom view thereof.

1 Claim, 3 Drawing Sheets



(56)

References Cited

OTHER PUBLICATIONS

U.S. PATENT DOCUMENTS

D711,278	S *	8/2014	Kadri et al.	D11/81
D712,301	S *	9/2014	Tipp et al.	D11/81
2007/0095103	A1 *	5/2007	Lai	63/13
2008/0016915	A1 *	1/2008	Shah	63/40
2013/0227989	A1 *	9/2013	Kothari	63/28

[Online] <http://thumbs4.ebaystatic.com/d/1225/m/mxY2R->

Td7Szj6jjliUOogVA.jpg. Retrieved Dec. 9, 2014.*

* cited by examiner

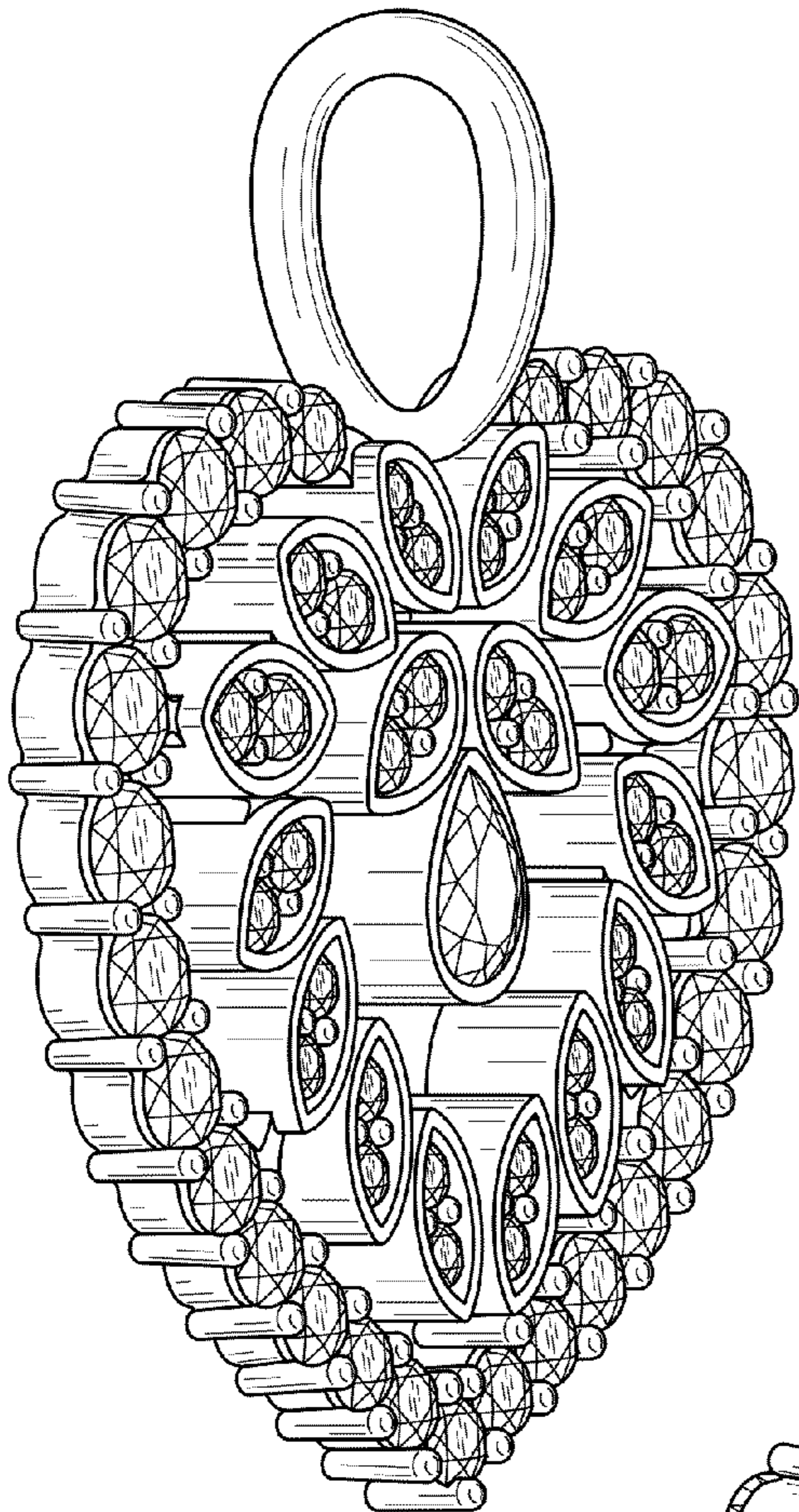


FIG. 1

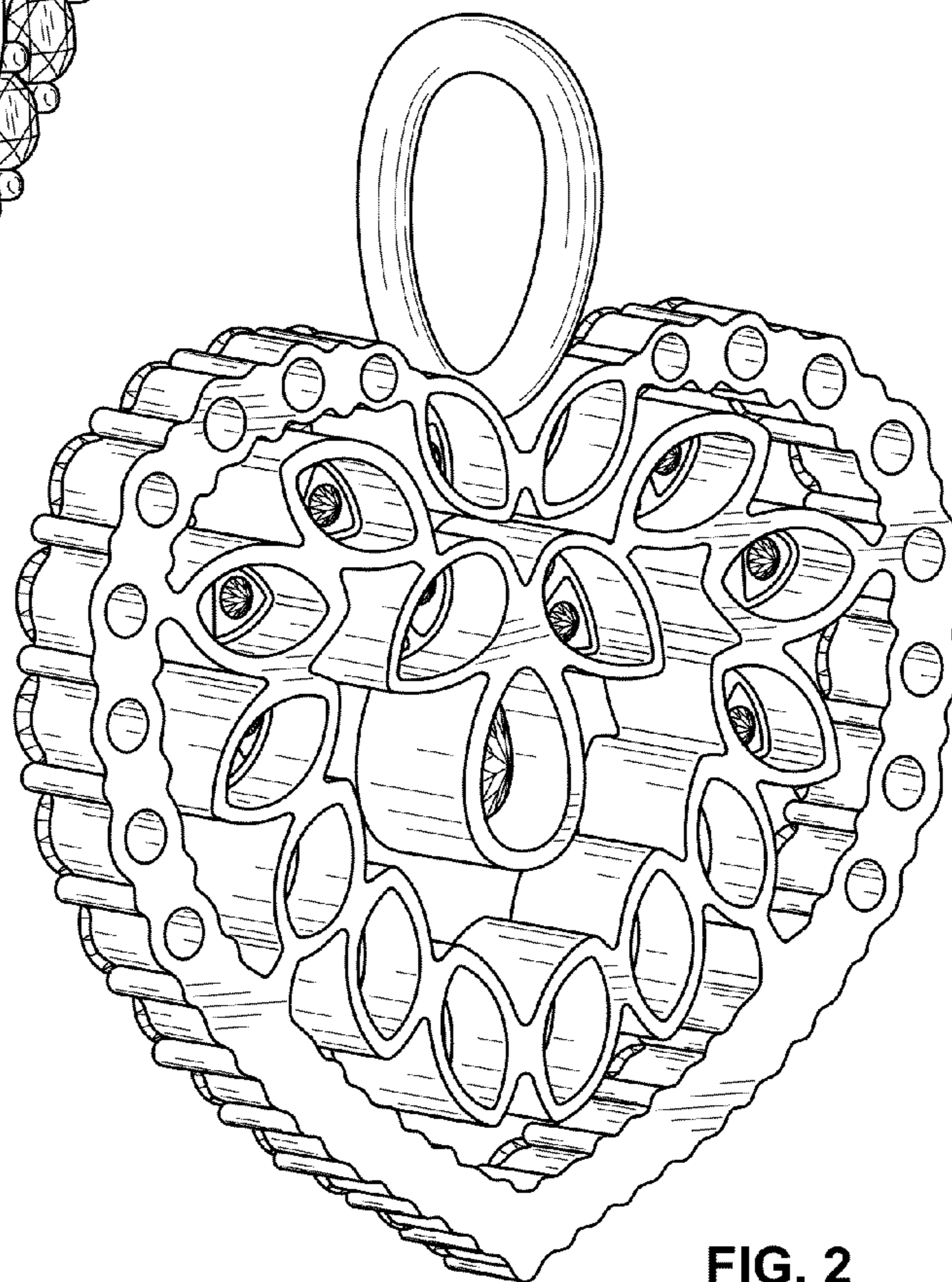


FIG. 2

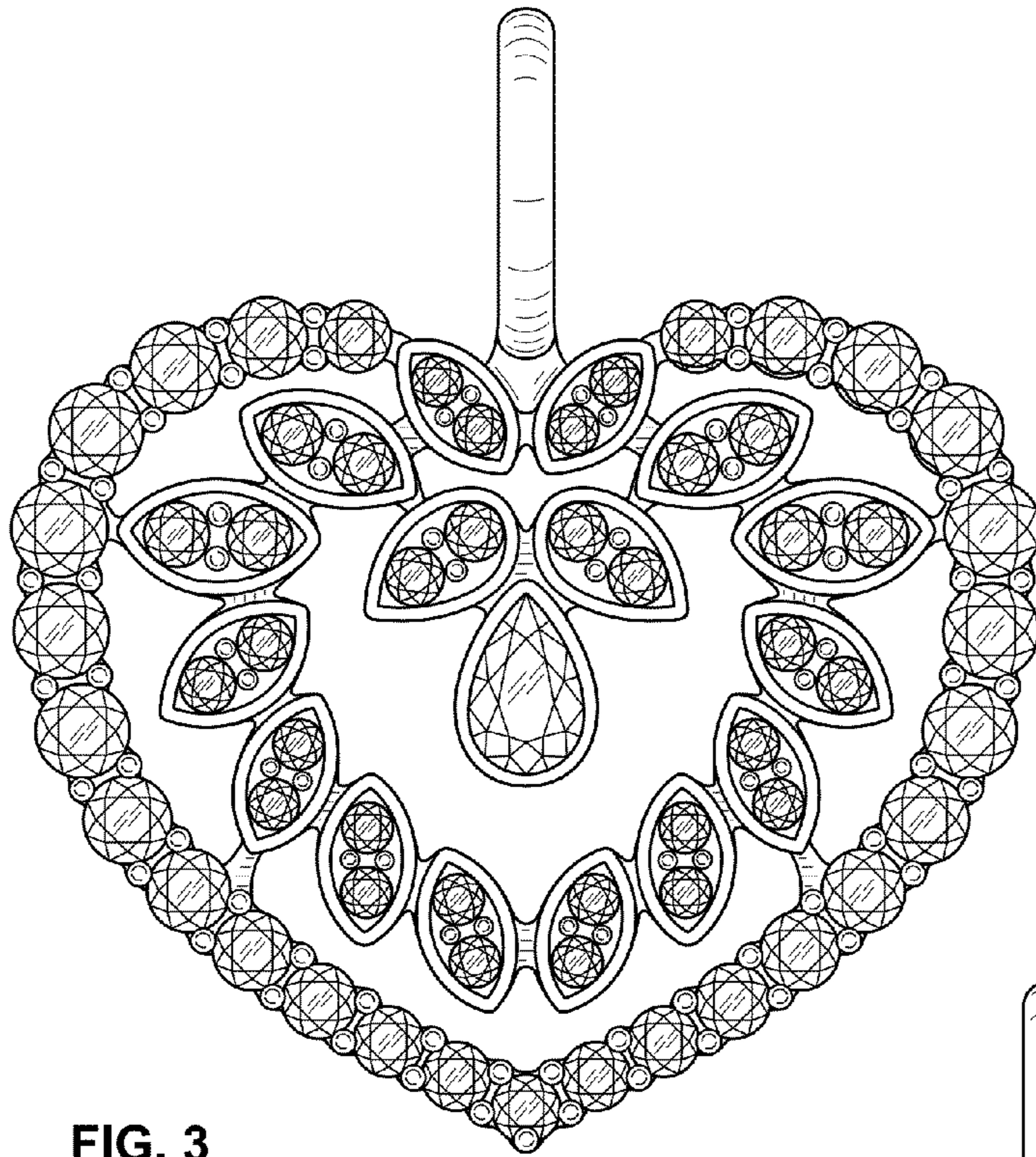


FIG. 3

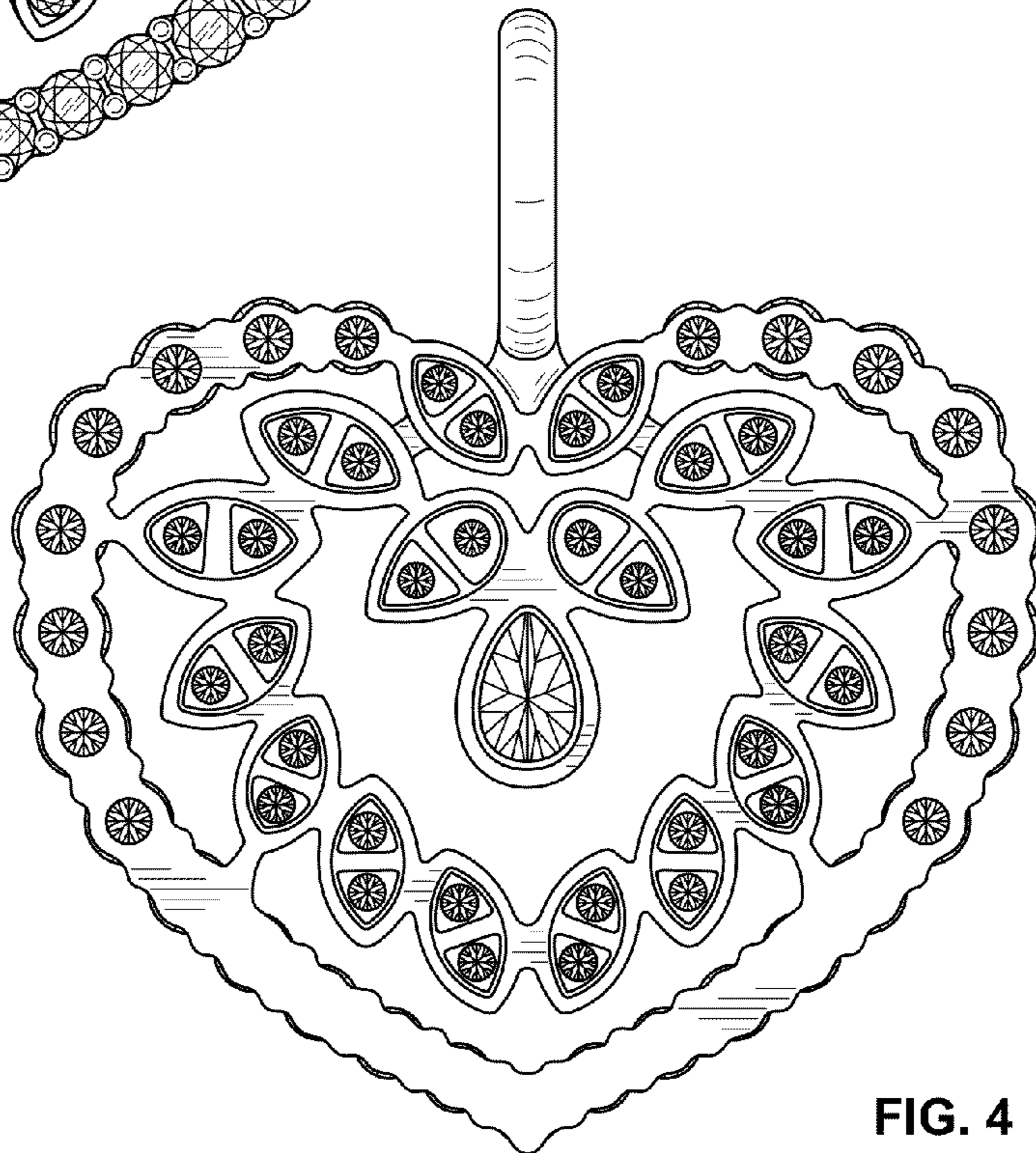


FIG. 4

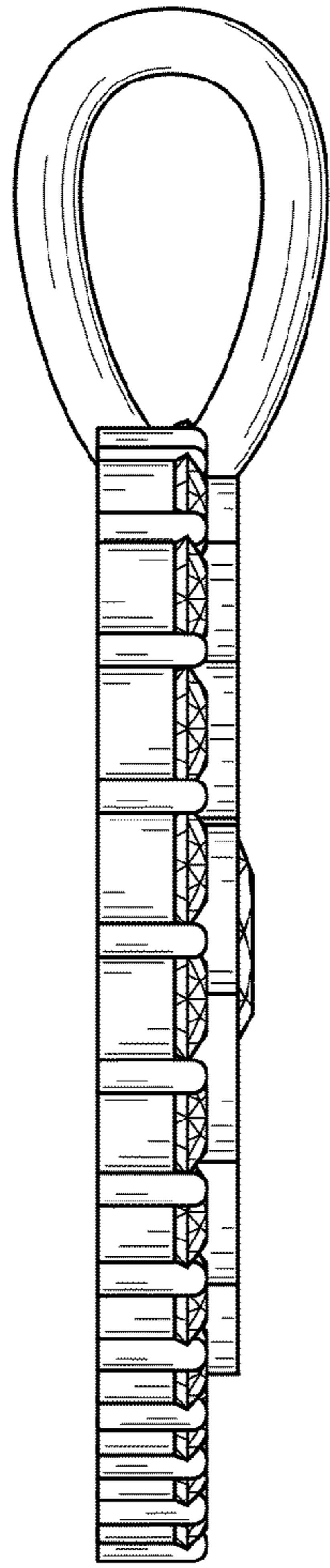


FIG. 5

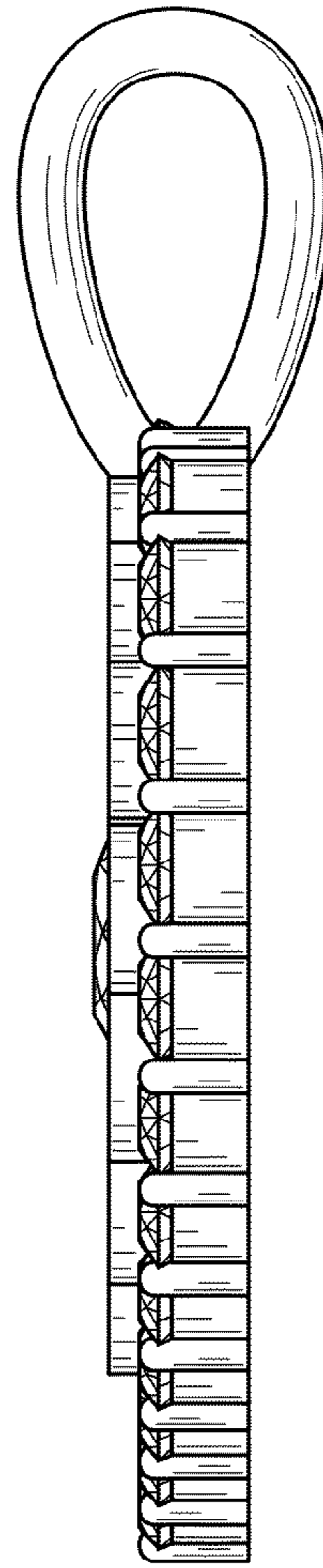


FIG. 6

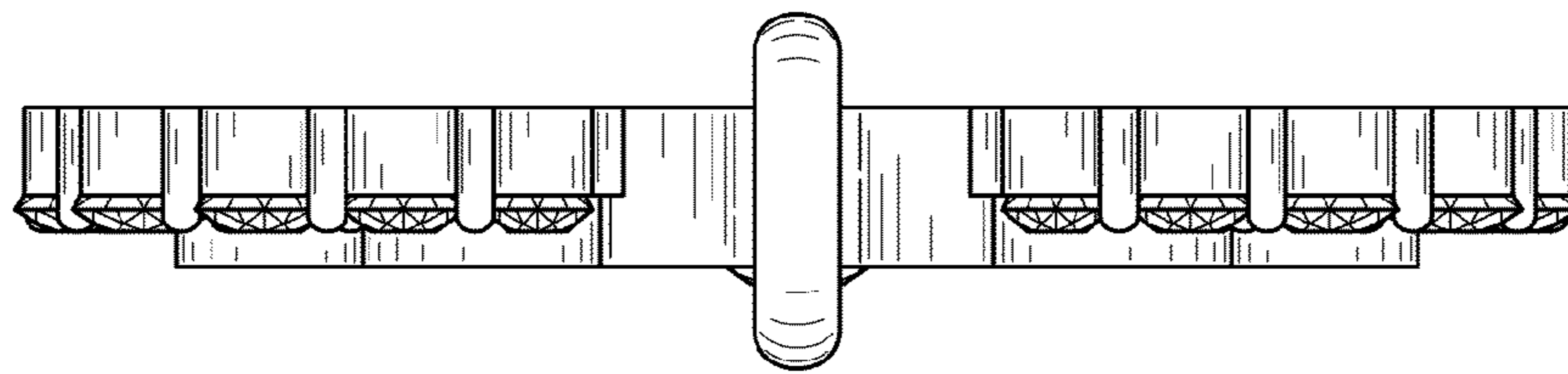


FIG. 7

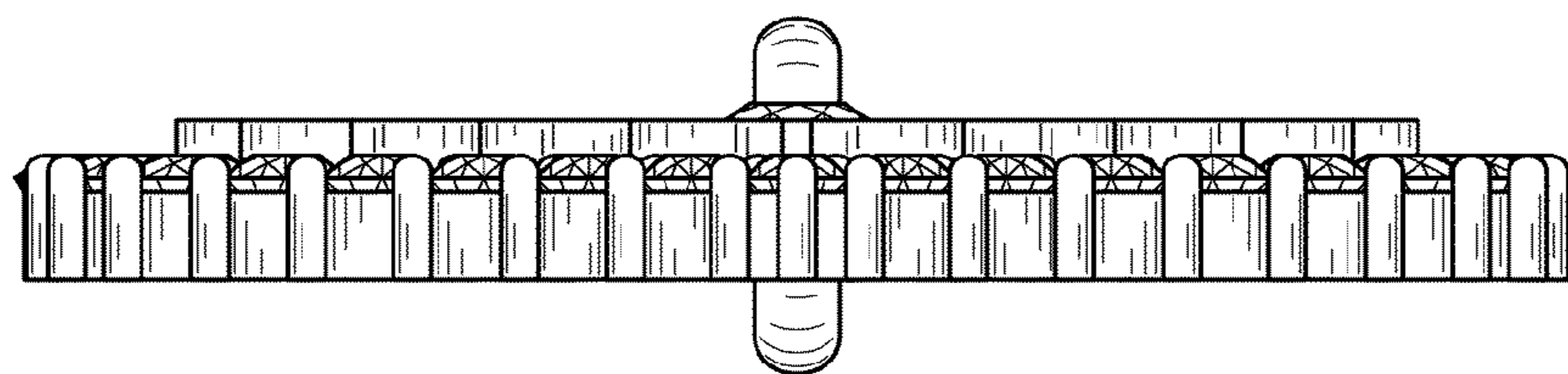


FIG. 8