



US00D727776S

(12) **United States Design Patent**
Weems

(10) **Patent No.:** **US D727,776 S**

(45) **Date of Patent:** **** Apr. 28, 2015**

(54) **OWL EARRING**

D661,480 S * 6/2012 van der Lande D3/211
D669,934 S * 10/2012 van der Lande D19/42
D696,571 S * 12/2013 Lai et al. D8/367

(71) Applicant: **Origami Owl, LLC**, Chandler, AZ (US)

(72) Inventor: **Christian H. Weems**, Gilbert, AZ (US)

(73) Assignee: **Origami Owl, LLC**, Chandler, AZ (US)

(**) Term: **14 Years**

(21) Appl. No.: **29/483,796**

(22) Filed: **Mar. 3, 2014**

(51) **LOC (10) Cl.** **11-01**

(52) **U.S. Cl.**
USPC **D11/58**

(58) **Field of Classification Search**
USPC D11/1, 2, 40-48, 79, 80, 81, 86, 87, 88,
D11/91, 92, 96, 84, 63, 67.57, 58, 49;
63/12, 13, 1.11, 1.16, 26, 27, 28, 29.1,
63/29.2, 35, 40

See application file for complete search history.

(56) **References Cited**

U.S. PATENT DOCUMENTS

D123,824 S *	12/1940	Silson	D11/58
D133,467 S *	8/1942	Katz	D11/58
D135,191 S *	3/1943	Philippe	D11/58
D138,960 S *	10/1944	Katz	D11/41
D144,952 S *	6/1946	Weinstock	D11/58
D146,775 S *	5/1947	Pearsall	D11/58
D152,662 S *	2/1949	Smith	D11/162
D153,308 S *	4/1949	Philippe	D11/58
D165,334 S *	12/1951	Katz	D11/41

OTHER PUBLICATIONS

[Online] <http://www.mustardseedmommy.com/wp-content/uploads/2014/03/owl-earring-charms.png>. Retrieved Dec. 7, 2014.*

[Online] <http://www.polyvore.com/cgi/img-thing?.out=jpg&size=1&tid=32818404>. Retrieved Dec. 7, 2014.*

[Online] https://img1.etsystatic.com/000/0/6248575/il_340x270.287666083.jpg. Retrieved Dec. 7, 2014.*

* cited by examiner

Primary Examiner — Garth Rademaker

Assistant Examiner — Melanie Pellegrini

(74) *Attorney, Agent, or Firm* — Fennemore Craig, P.C.

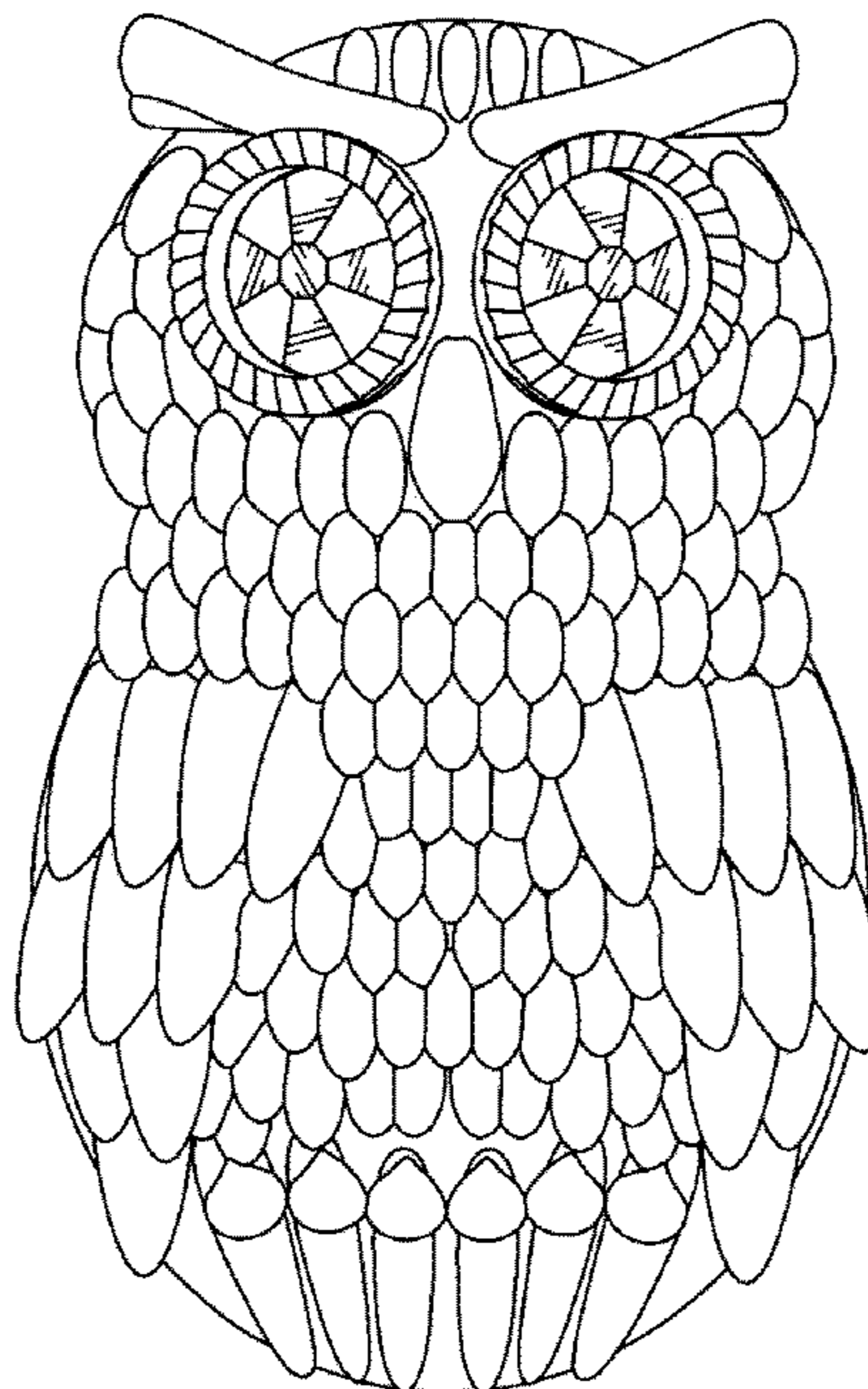
(57) **CLAIM**

The ornamental design for an owl earring, as shown and described.

DESCRIPTION

FIG. 1 is a perspective view of an owl earring;
FIG. 2 is a front view the owl earring shown in FIG. 1;
FIG. 3 is a back view the owl earring shown in FIG. 1;
FIG. 4 is a right side view of the owl earring shown in FIG. 1;
FIG. 5 is a left side view of the owl earring shown in FIG. 1;
FIG. 6 is a top view of the owl earring shown in FIG. 1; and,
FIG. 7 is bottom view the owl earring shown in FIG. 1.
Surface shading is for illustrative purposes only and does not form part of the design sought to be patented.

1 Claim, 7 Drawing Sheets



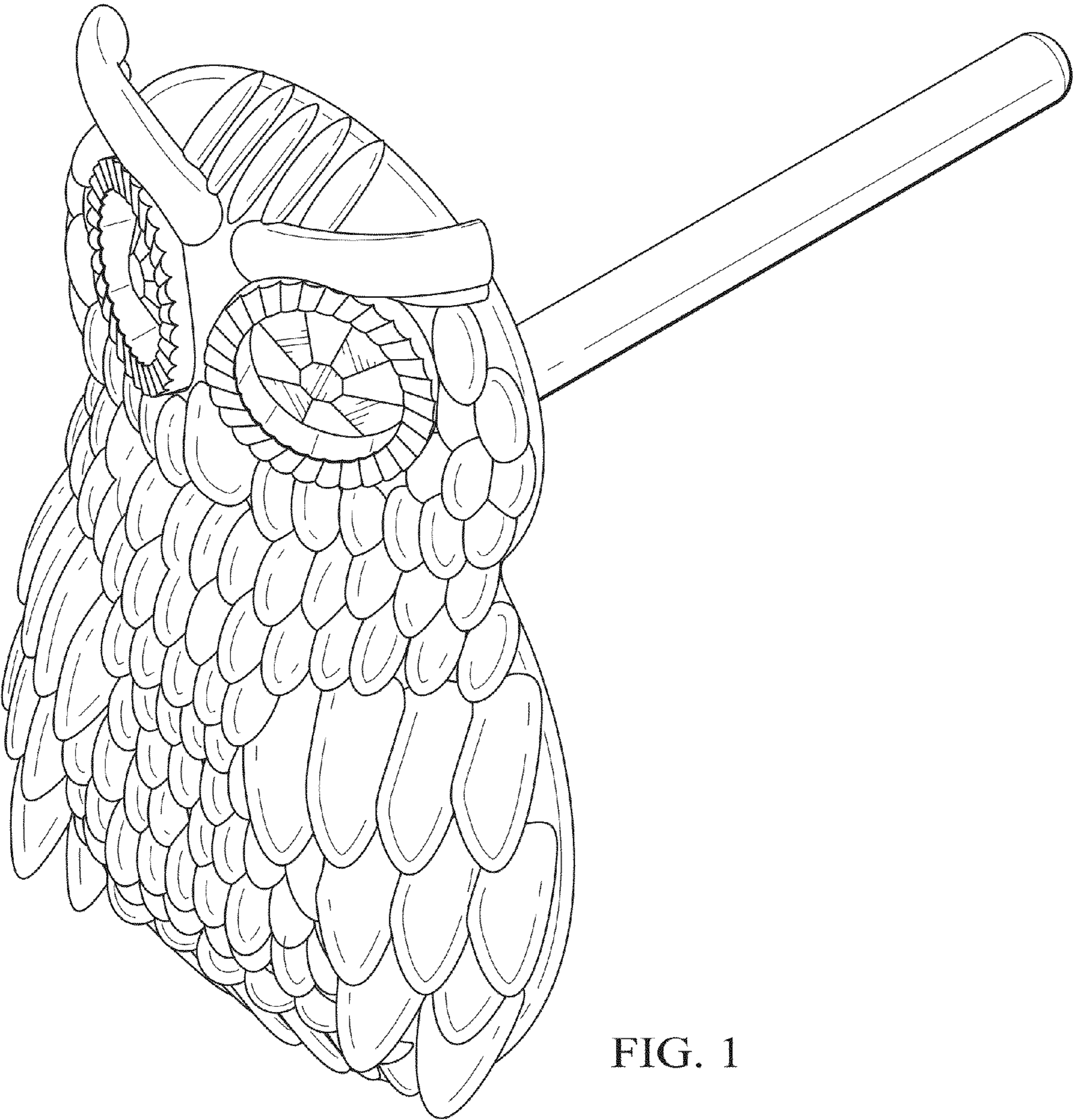


FIG. 1

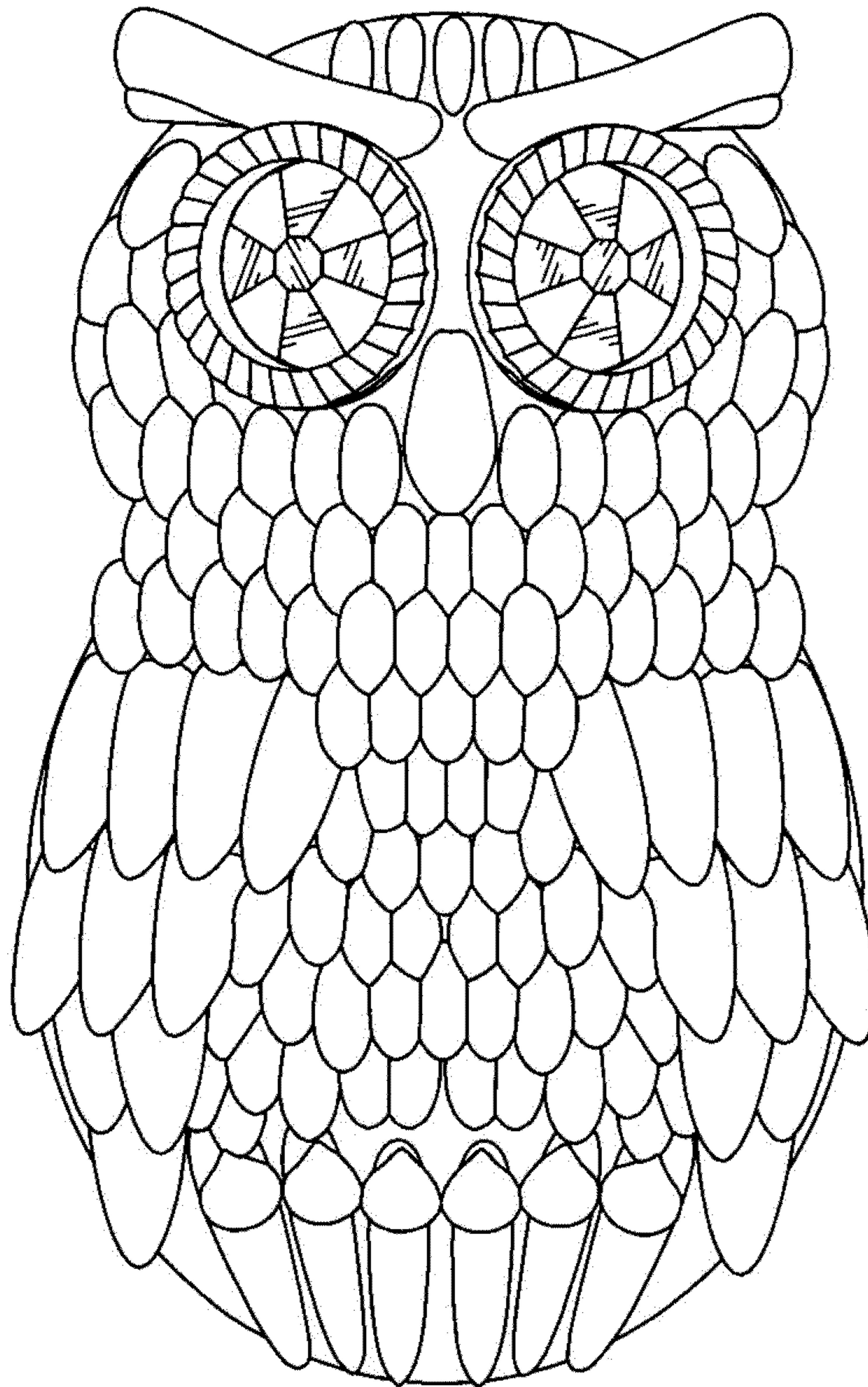


FIG. 2

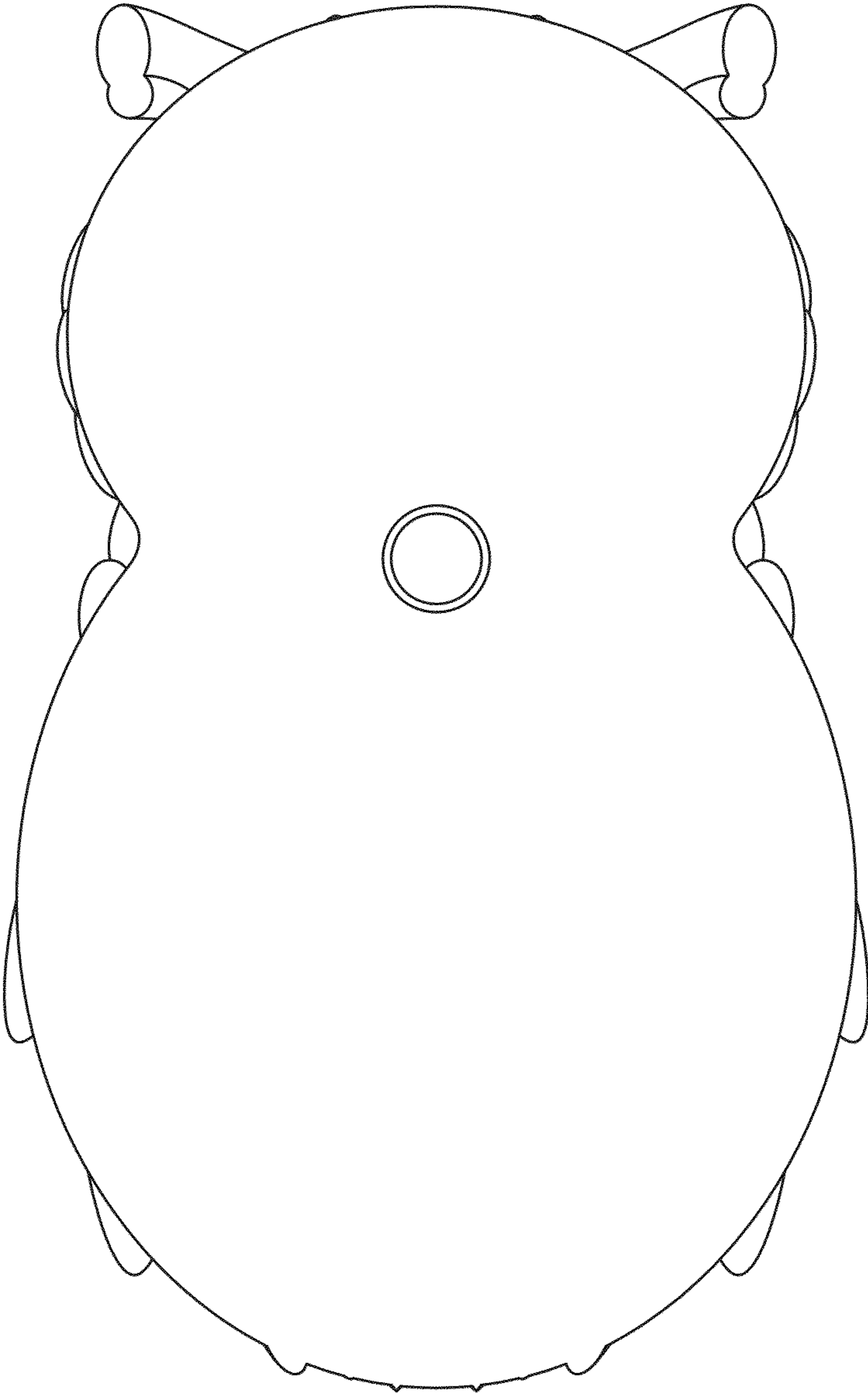


FIG. 3

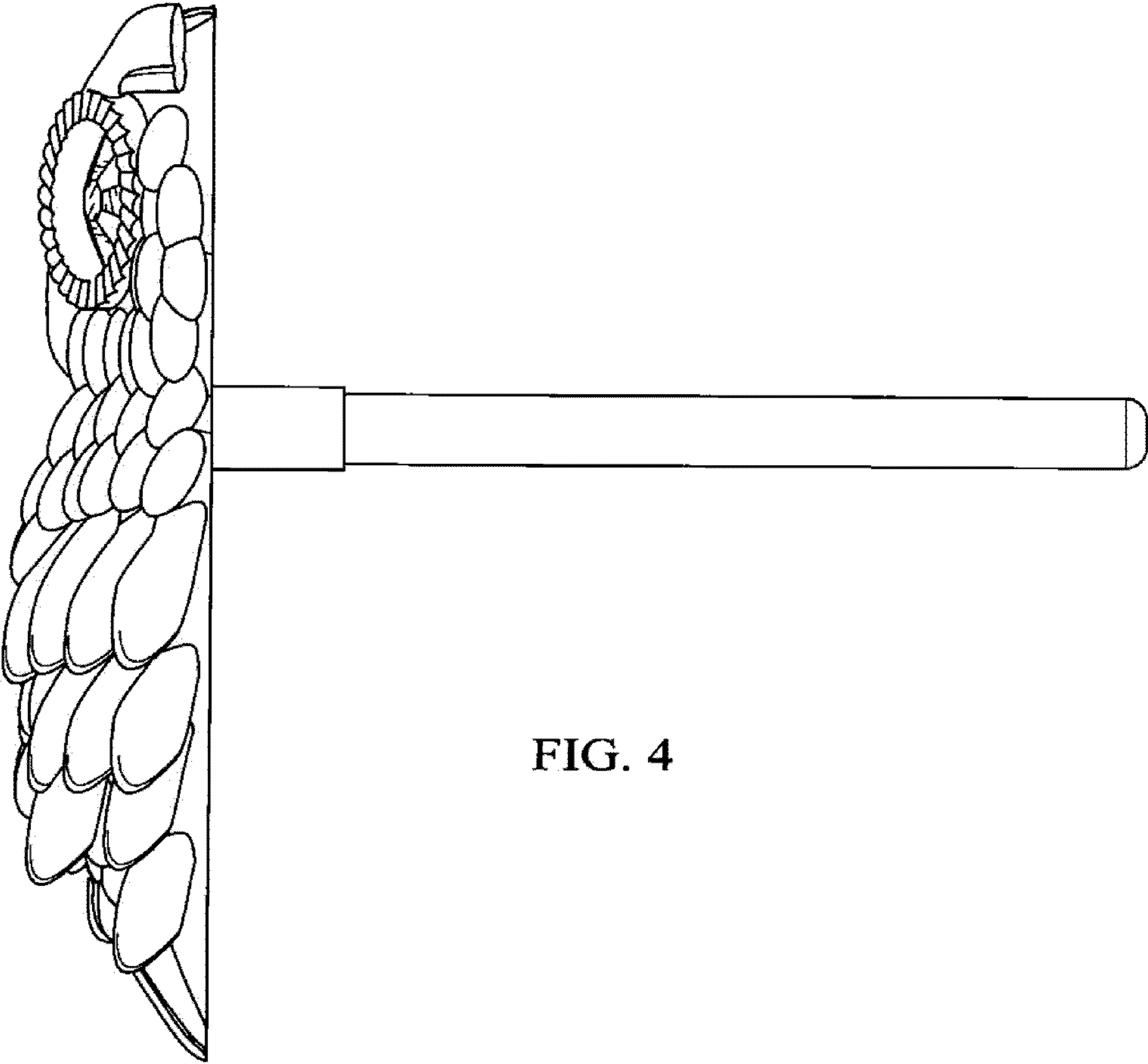


FIG. 4

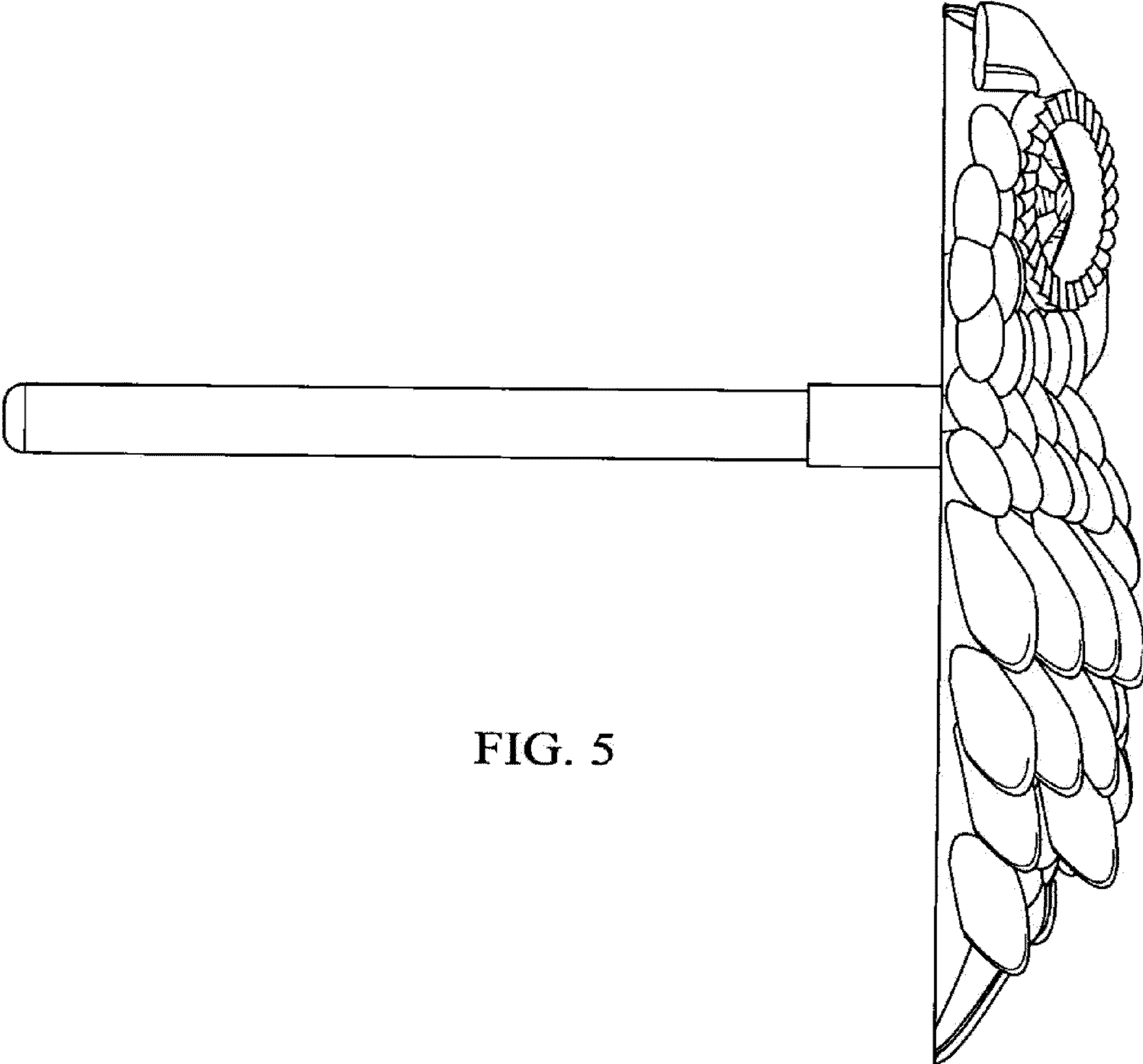


FIG. 5

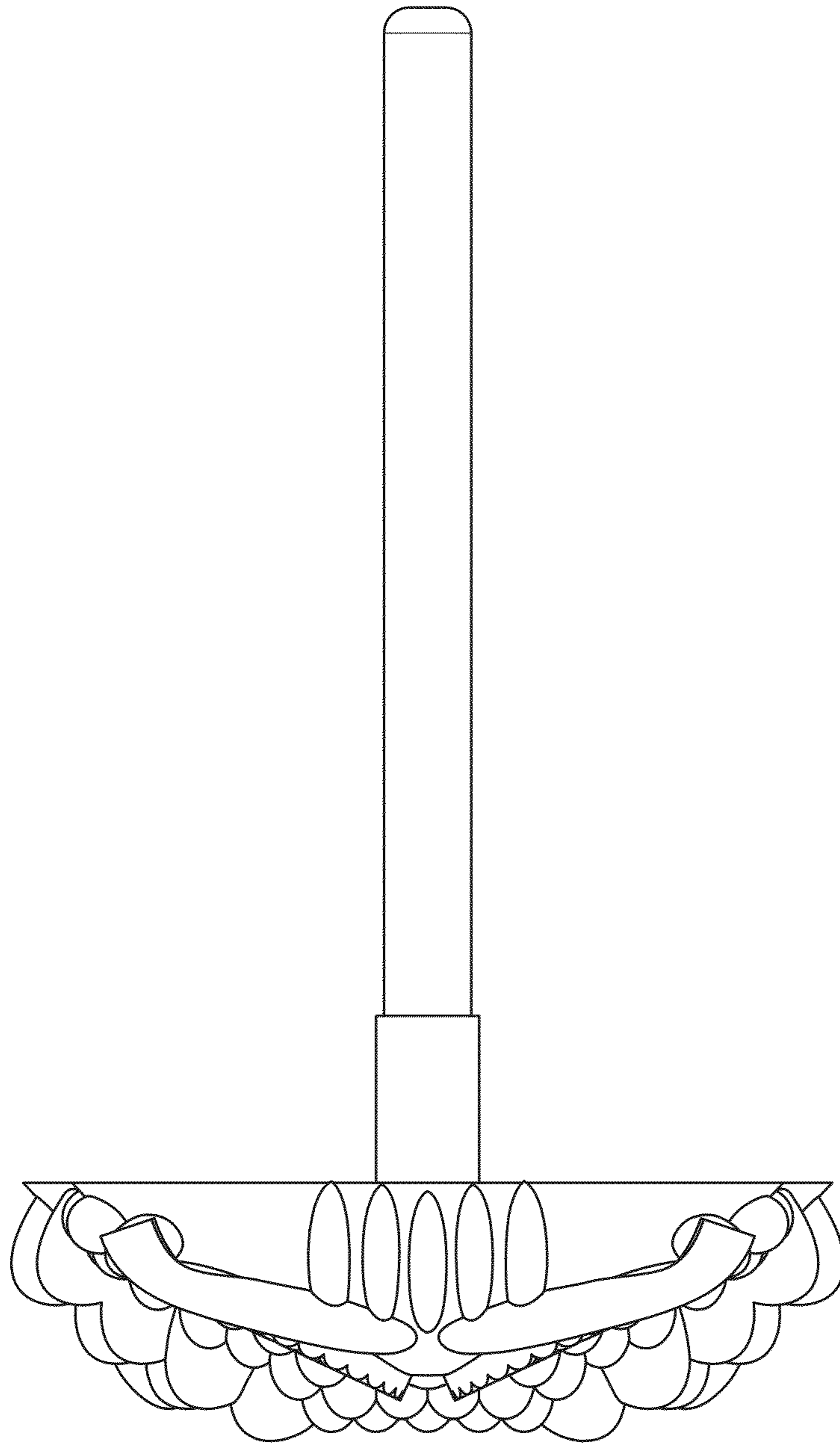


FIG. 6

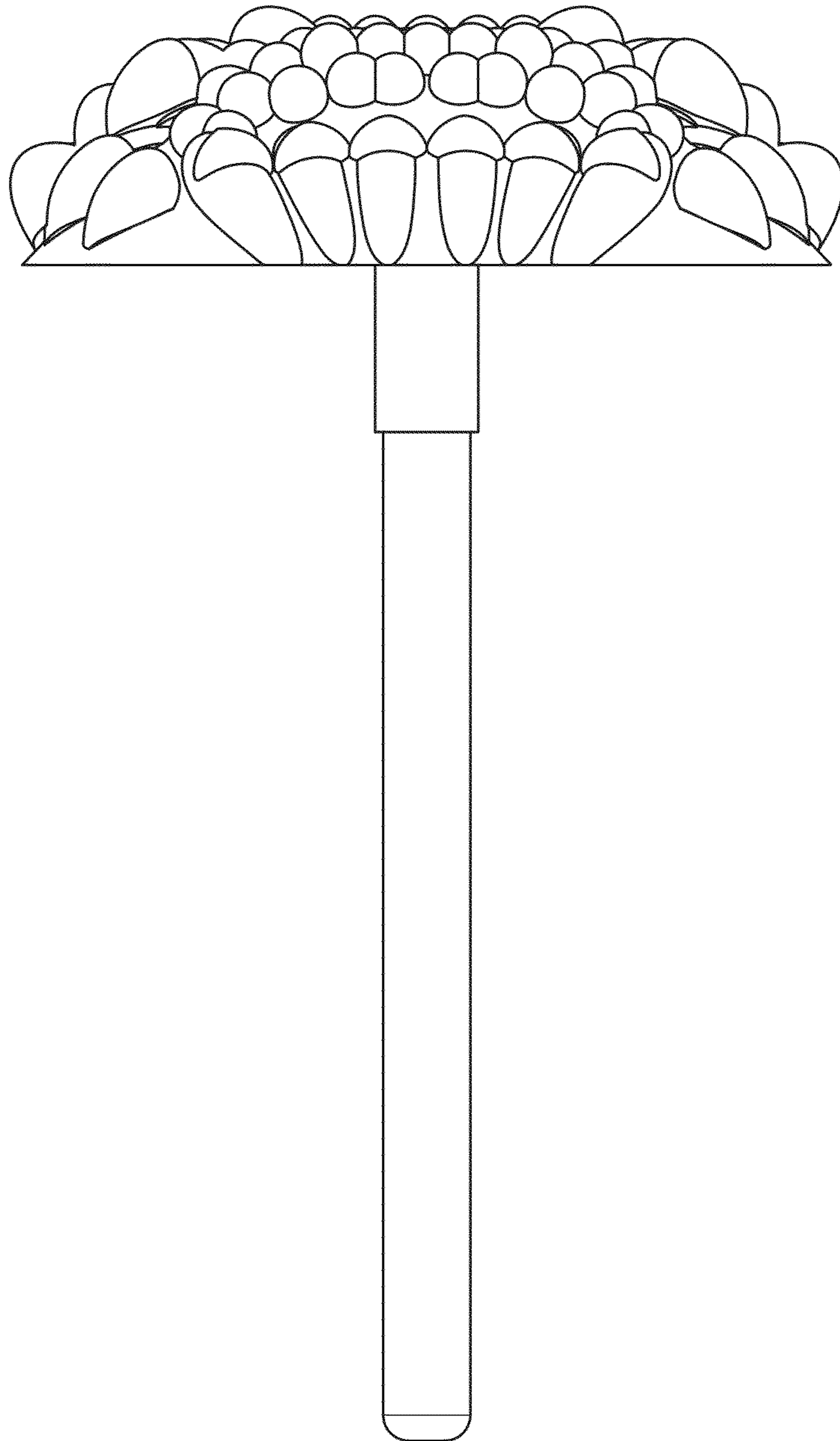


FIG. 7