



US00D727774S

(12) **United States Design Patent**
Kwon

(10) **Patent No.:** **US D727,774 S**

(45) **Date of Patent:** **** Apr. 28, 2015**

(54) **EARRING**

(71) Applicant: **Harry Winston SA**, Plan-les-Ouates
(CH)

(72) Inventor: **Chaeree Kwon**, New York, NY (US)

(73) Assignee: **Harry Winston SA**, Plan-les-Ouates
(CH)

(**) Term: **14 Years**

(21) Appl. No.: **29/501,451**

(22) Filed: **Sep. 4, 2014**

(30) **Foreign Application Priority Data**

Mar. 5, 2014 (WO) DM/083 060

(51) **LOC (10) Cl.** **11-01**

(52) **U.S. Cl.**
USPC **D11/43**

(58) **Field of Classification Search**

USPC D11/1, 2, 40-48, 79, 80, 81, 86, 87, 88,
D11/91, 92, 96, 84, 63, 67; 63/12, 13, 1.11,
63/1.16, 26, 27, 28, 29.1, 29.2, 35, 40
See application file for complete search history.

(56) **References Cited**

U.S. PATENT DOCUMENTS

973,041 A * 10/1910 Hesselbarth 40/1.6
D48,864 S * 4/1916 Houston et al. D11/95
D143,214 S * 12/1945 Katz D11/67
D148,855 S * 3/1948 Glass D11/45

D157,167 S * 2/1950 Katz D11/40
D241,065 S * 8/1976 Roberts D11/79
D322,043 S * 12/1991 Chia et al. D11/93
D622,173 S * 8/2010 Blad et al. D11/76
D635,482 S * 4/2011 Lagnese D11/60

OTHER PUBLICATIONS

[Online] <http://storage.harrywinston.com/media/images/by-harry-winston-open-motif-diamond-earrings-on-platinum-wire-450x440.png>. Retrieved Dec. 6, 2014.*

[Online] <http://www.ross-simons.com/products/825034.html?cc=&curr=>. Retrieved Dec. 6, 2014.*

* cited by examiner

Primary Examiner — Garth Rademaker

Assistant Examiner — Melanie Pellegrini

(74) *Attorney, Agent, or Firm* — Donald J. Ranft; Kristen A. Mogavero; Collen IP

(57) **CLAIM**

The ornamental design for an earring, as shown.

DESCRIPTION

FIG. 1 is a front left perspective view of an earring showing my new design;

FIG. 2 is a rear right perspective view thereof;

FIG. 3 is a front view thereof;

FIG. 4 is a rear view thereof;

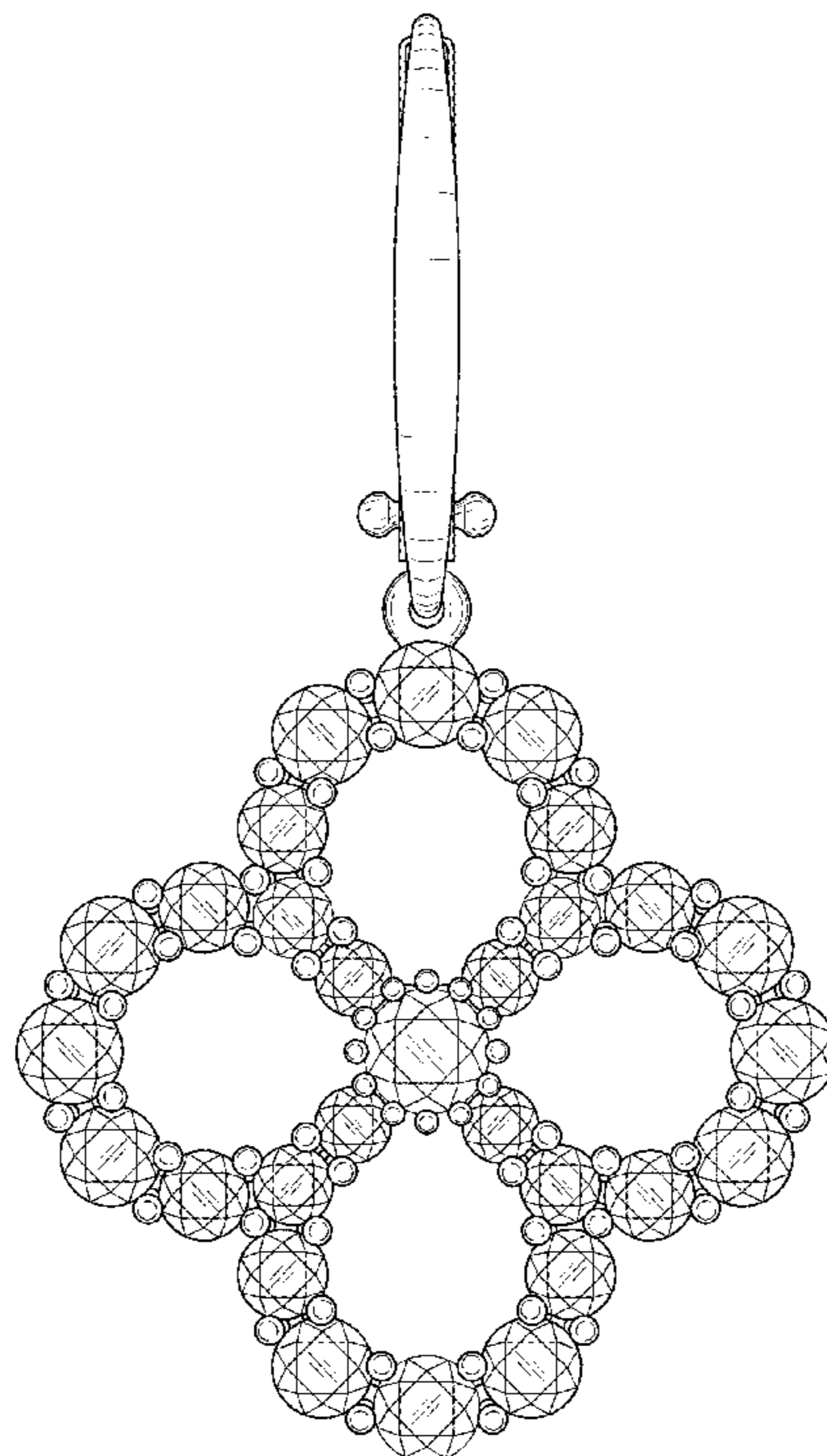
FIG. 5 is a left side view thereof;

FIG. 6 is a right side view thereof;

FIG. 7 is a top view thereof; and,

FIG. 8 is a bottom view thereof.

1 Claim, 6 Drawing Sheets



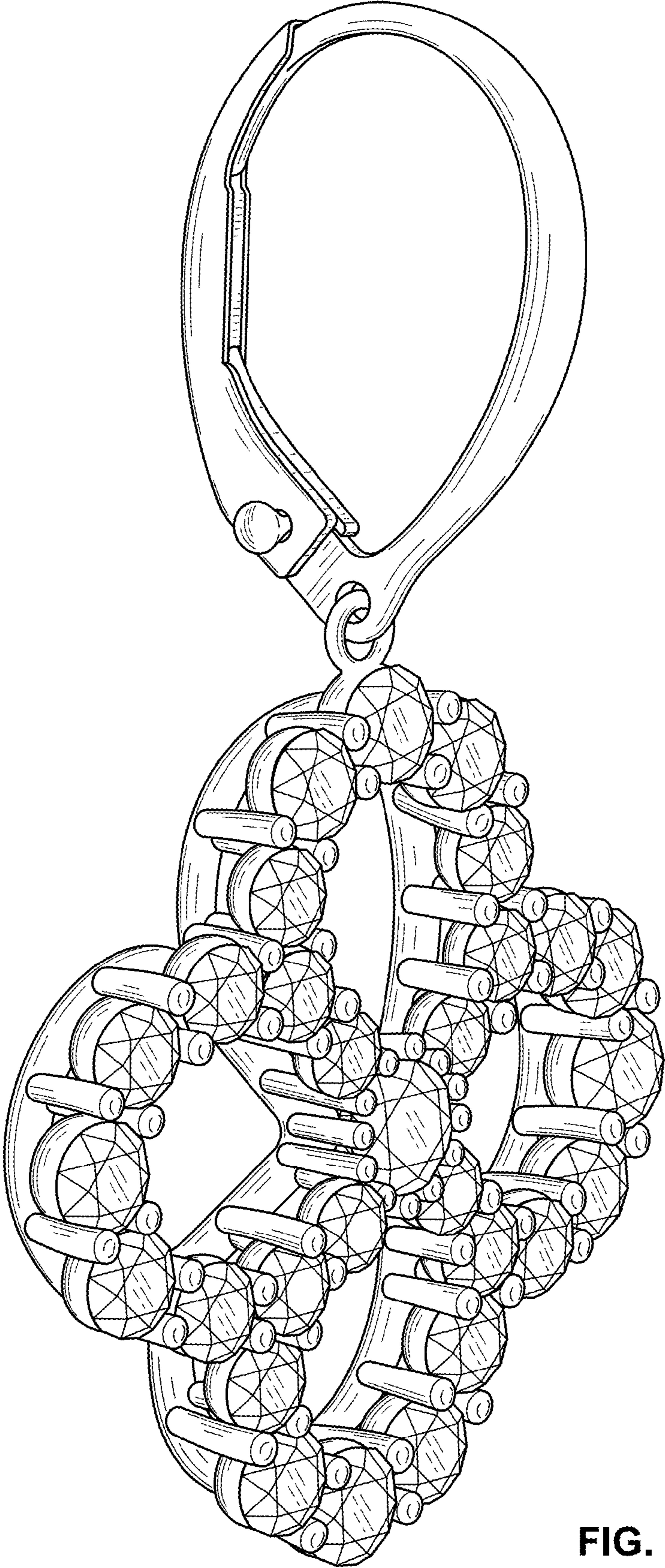


FIG. 1

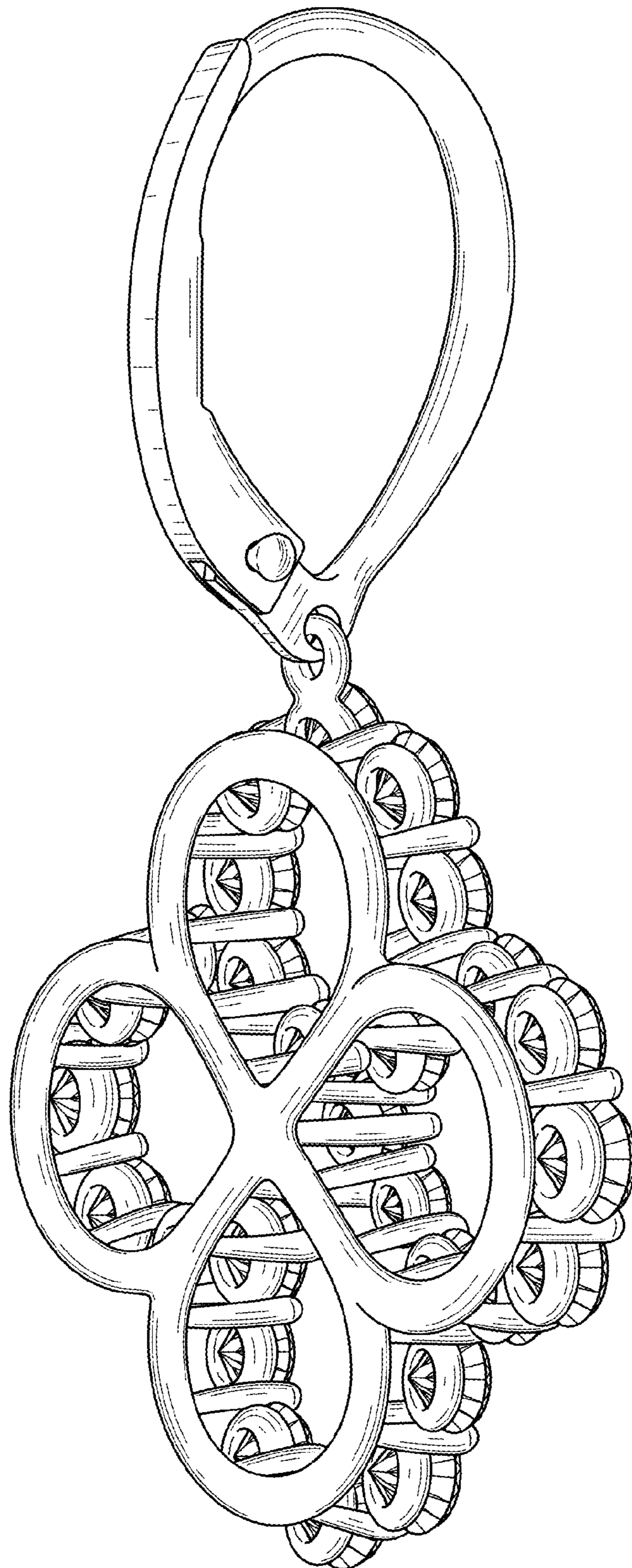


FIG. 2

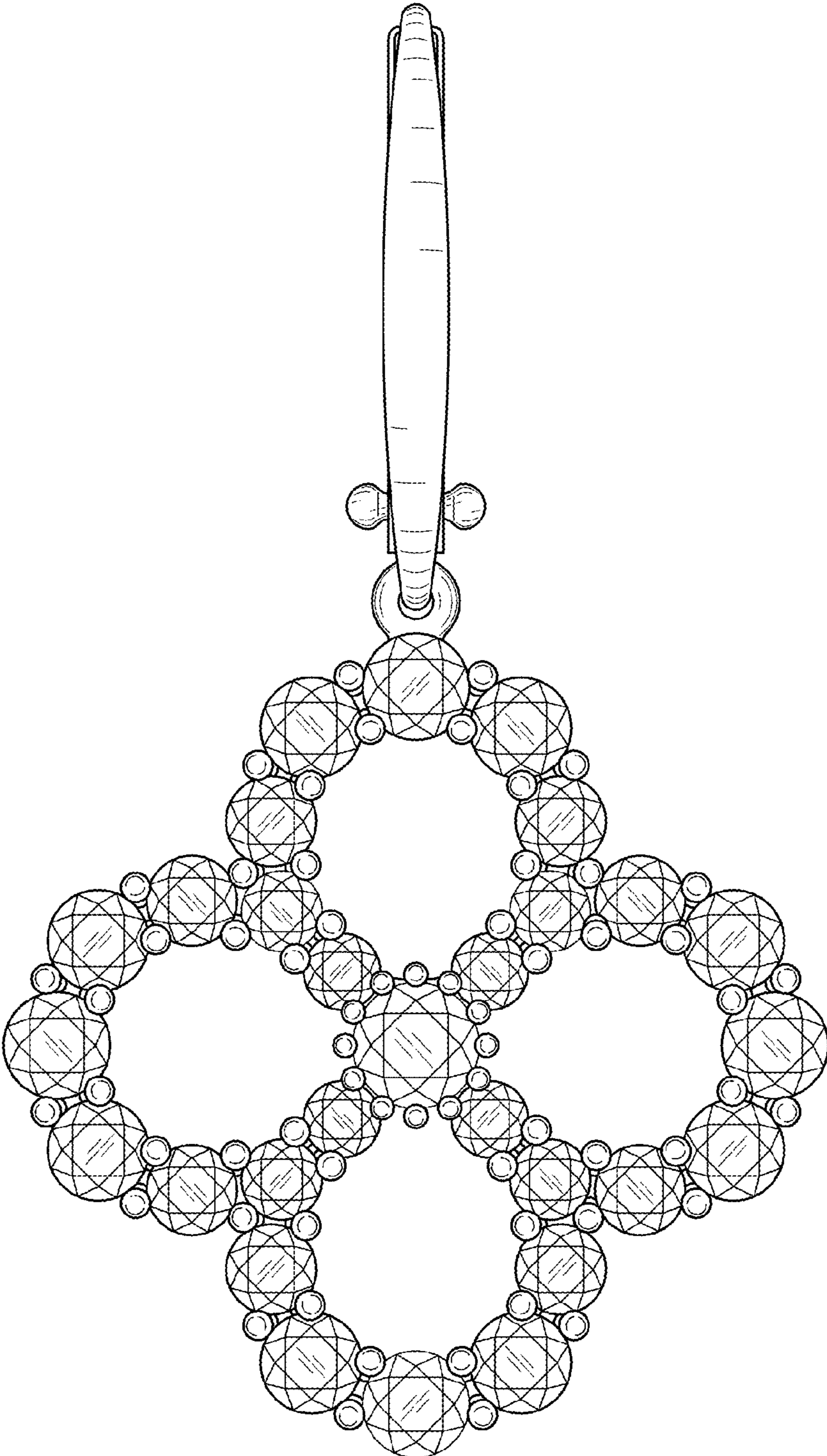


FIG. 3

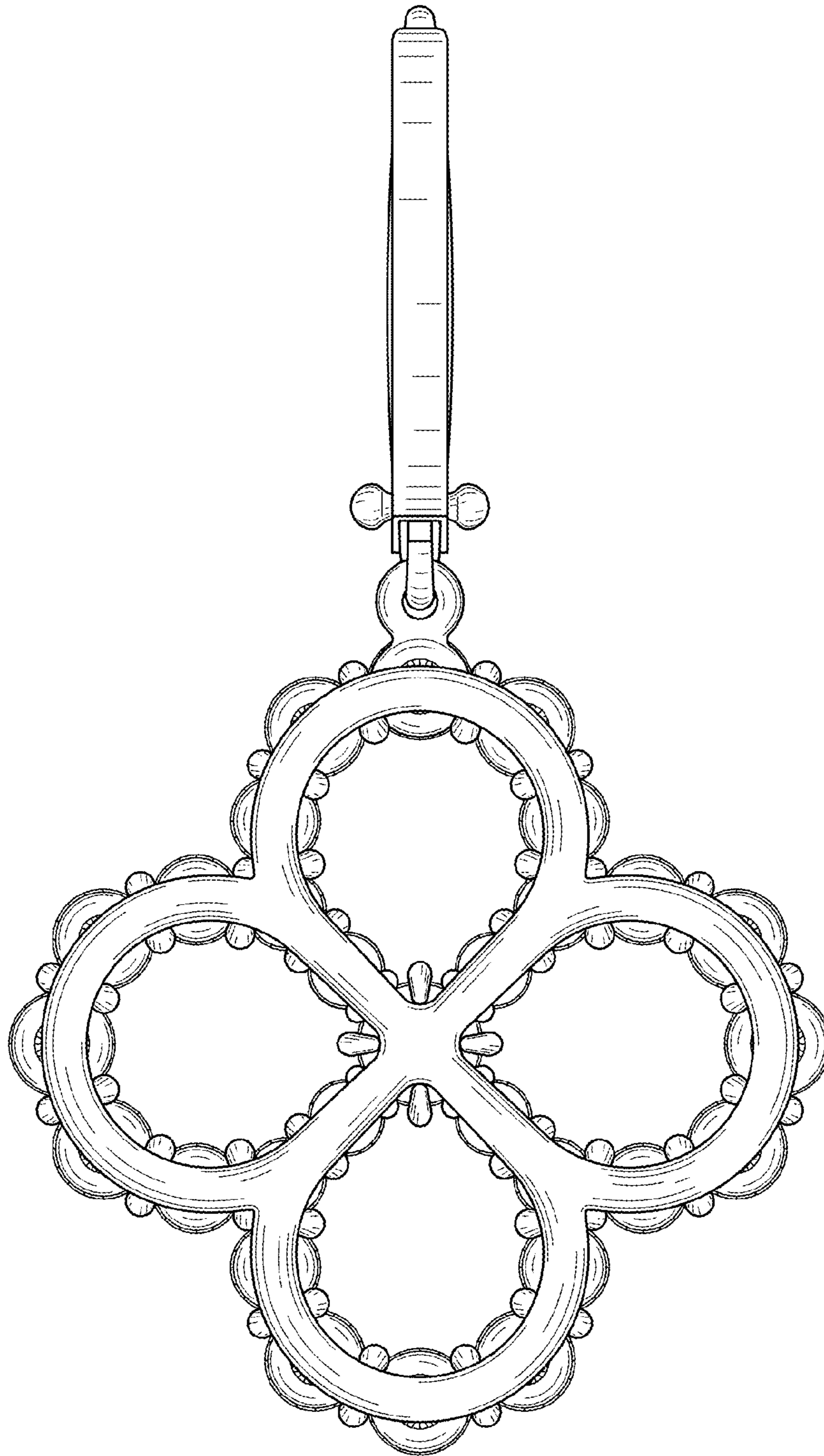


FIG. 4

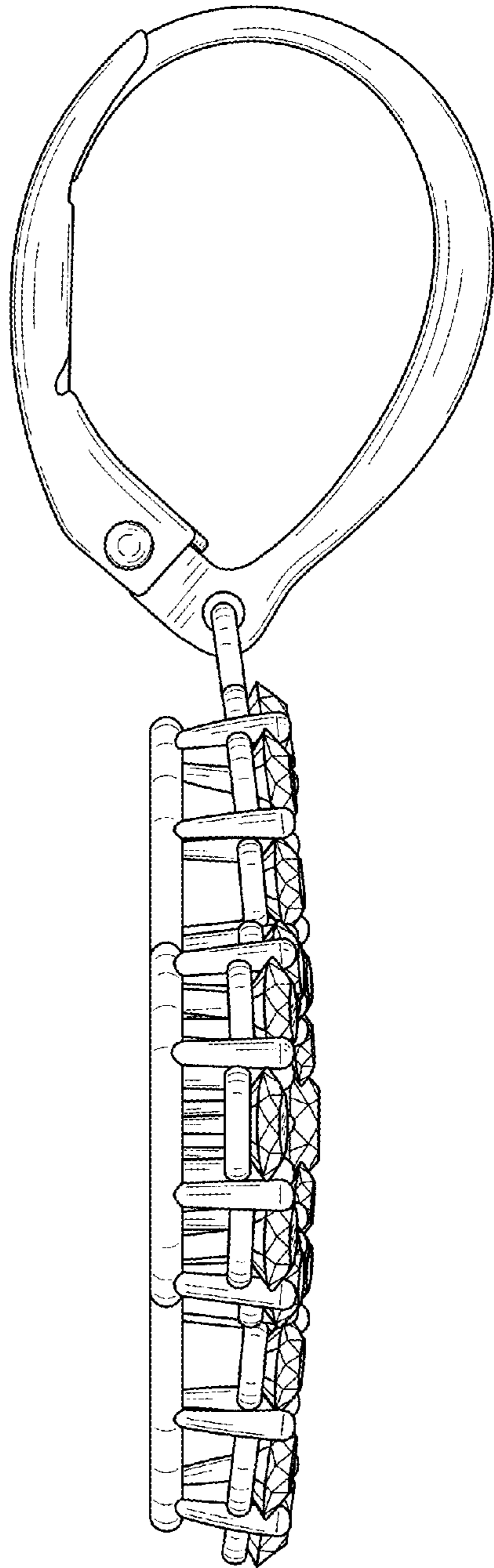


FIG. 5

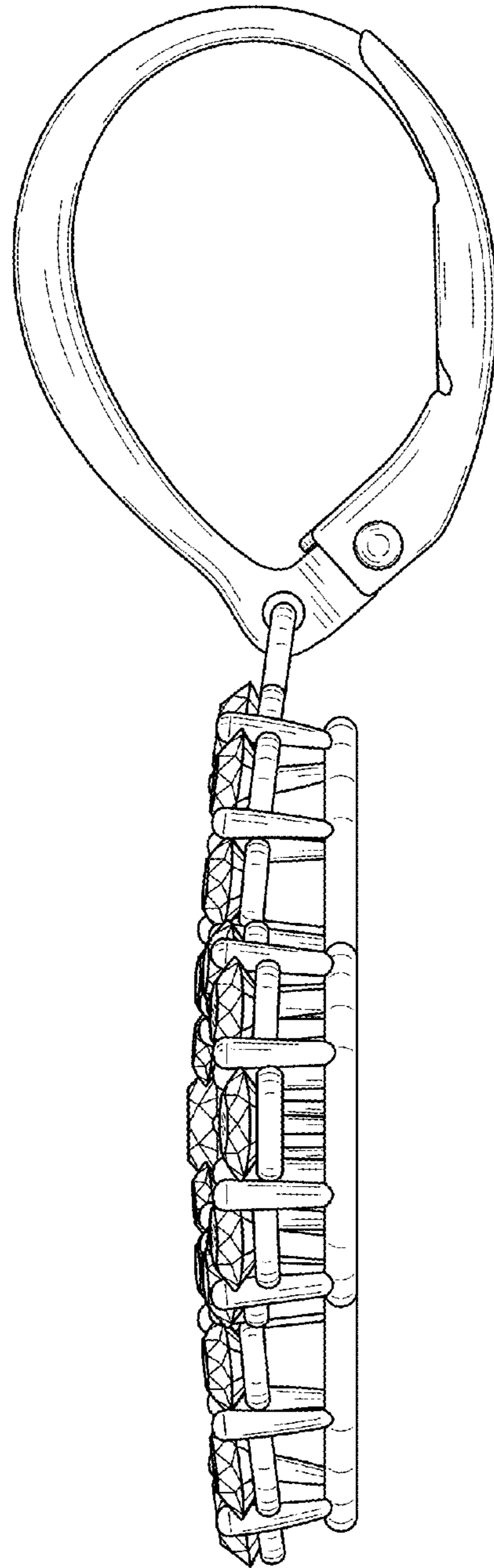


FIG. 6

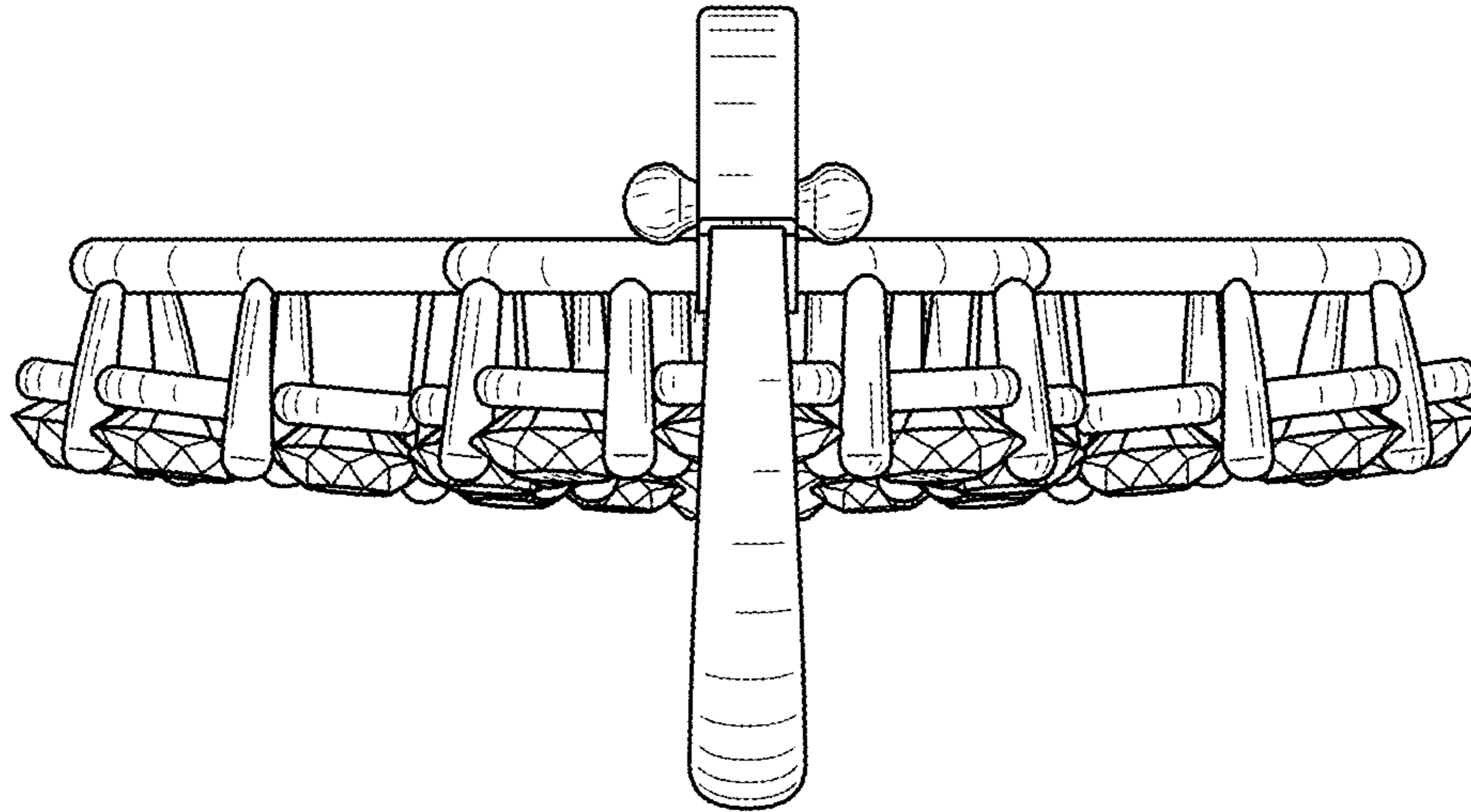


FIG. 7

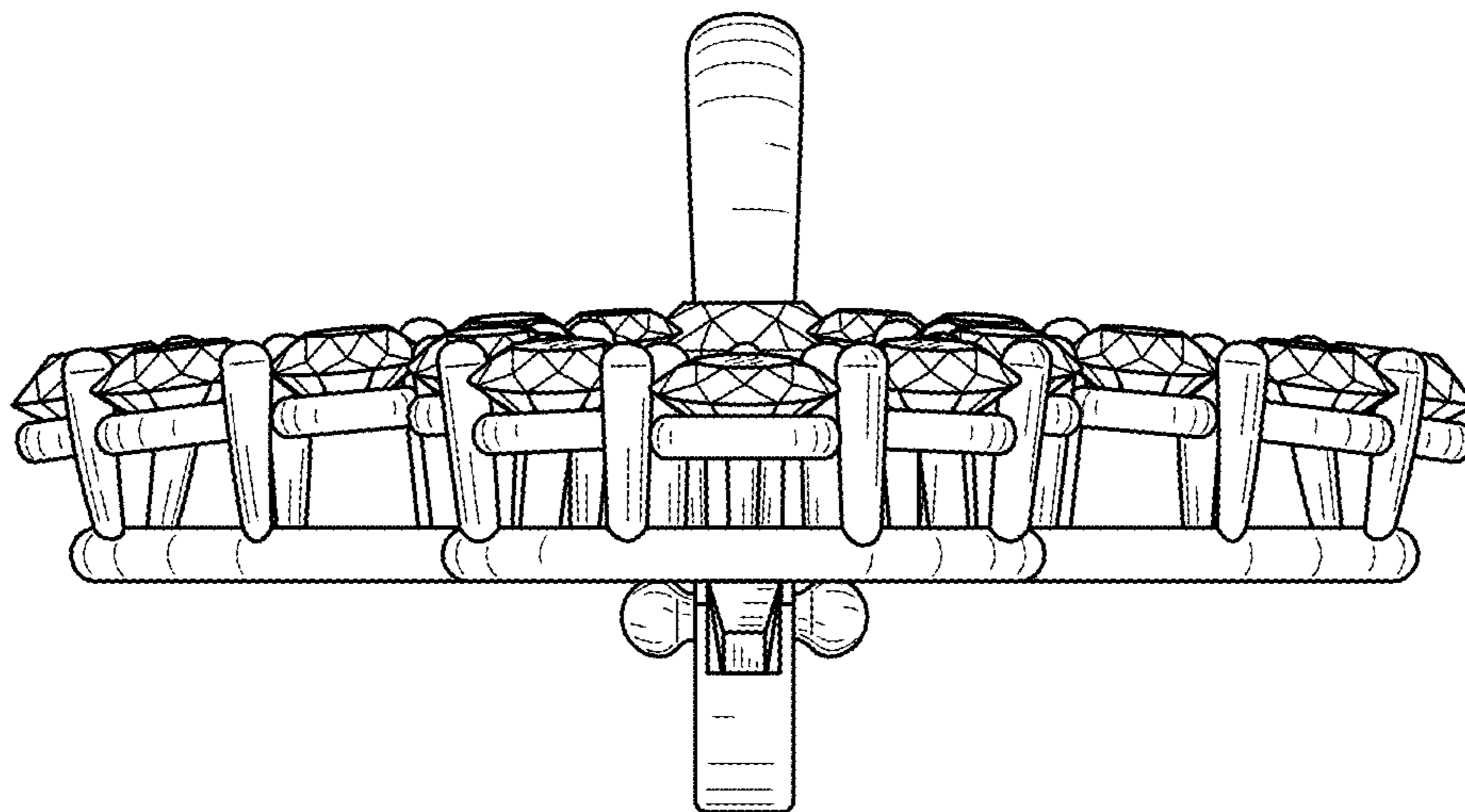


FIG. 8