



US00D727769S

(12) **United States Design Patent**  
**Scalisi**

(10) **Patent No.:** **US D727,769 S**  
(45) **Date of Patent:** **\*\* Apr. 28, 2015**

(54) **DOORBELL**  
(71) Applicant: **SkyBell Technologies, Inc.**, Irvine, CA  
(US)  
(72) Inventor: **Joseph Frank Scalisi**, Yorba Linda, CA  
(US)

5,428,388 A 6/1995 Von Bauer  
5,784,446 A 7/1998 Stuart  
D404,673 S 1/1999 Gordon  
D421,727 S 3/2000 Pierson  
6,073,192 A 6/2000 Clapp  
6,094,213 A 7/2000 Mun

(Continued)

(73) Assignee: **SkyBell Technologies, Inc.**, Irvine, CA  
(US)

**FOREIGN PATENT DOCUMENTS**

CN 1902609 1/2007  
CN 202872976 4/2013

(\*\*) Term: **14 Years**

(Continued)

(21) Appl. No.: **29/512,432**

**OTHER PUBLICATIONS**

(22) Filed: **Dec. 18, 2014**

iDoorCam—A Wi-Fi Enabled, Webcam Doorbell—Downloaded on  
Sep. 3, 2013 from <http://www.idoorcam.com/>.

(Continued)

**Related U.S. Application Data**

(63) Continuation of application No. 14/502,601, filed on  
Sep. 30, 2014, which is a continuation-in-part of  
application No. 14/492,809, filed on Sep. 22, 2014,  
which is a continuation-in-part of application No.  
14/275,811, filed on May 12, 2014, now Pat. No.  
8,872,915, which is a continuation-in-part of  
application No. 14/142,839, filed on Dec. 28, 2013,  
now Pat. No. 8,842,180, which is a  
continuation-in-part of application No. 14/099,888,  
filed on Dec. 6, 2013, now Pat. No. 8,823,795, which is  
a continuation of application No. 14/098,772, filed on  
Dec. 6, 2013, now Pat. No. 8,780,201.

*Primary Examiner* — George D Kirschbaum

(51) **LOC (10) Cl.** ..... **10-05**

(52) **U.S. Cl.**  
USPC ..... **D10/118.2; D14/159**

(58) **Field of Classification Search**  
USPC ..... D10/118.2; D14/159; 379/167.01,  
379/167.11

See application file for complete search history.

(57)

**CLAIM**

The ornamental design for a doorbell, as shown and  
described.

**DESCRIPTION**

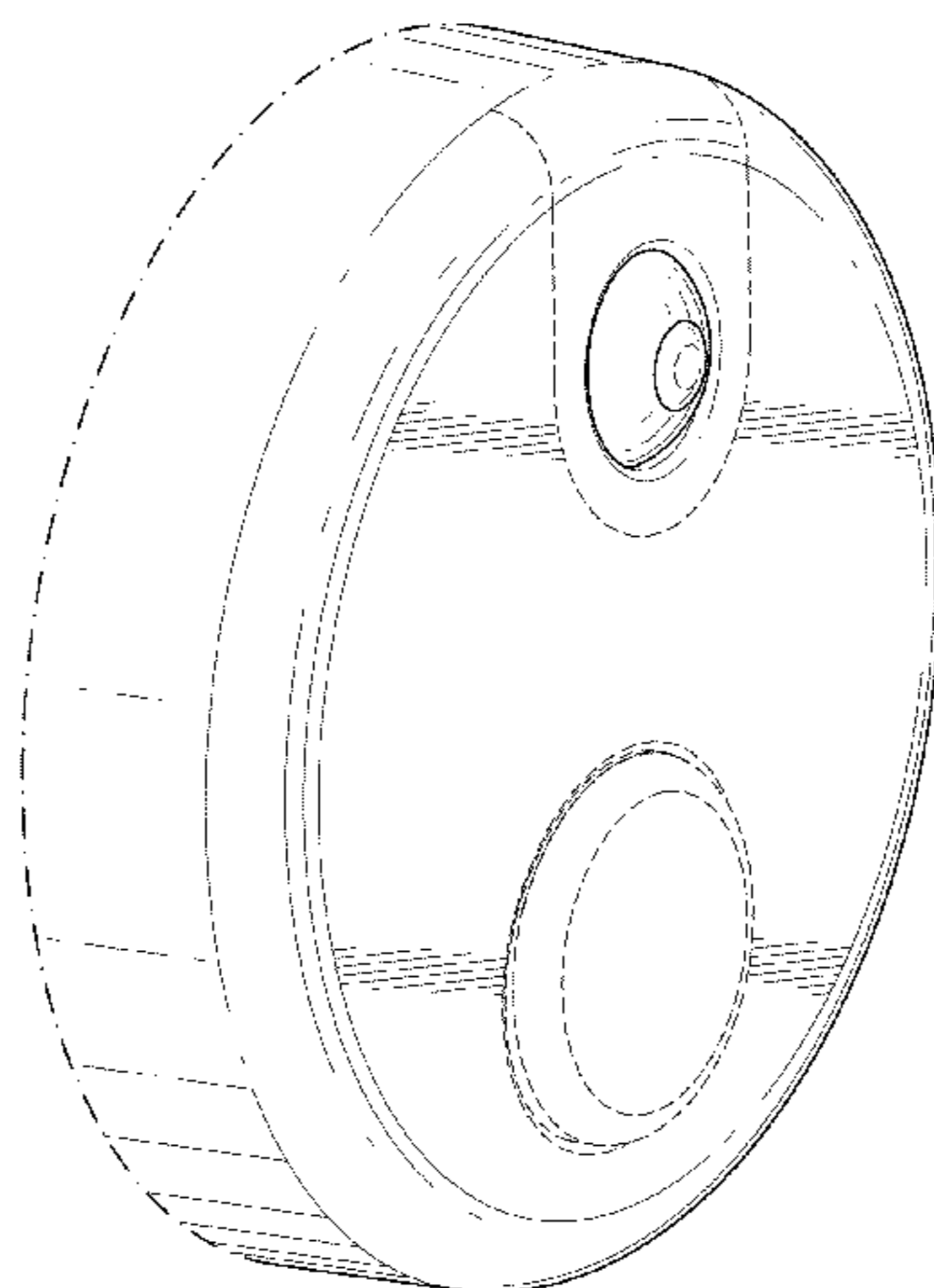
FIG. 1 is a front and side perspective view of a doorbell  
embodying the new design;  
FIG. 2 is a back and side perspective view thereof;  
FIG. 3 is a front view thereof;  
FIG. 4 is a back view thereof;  
FIG. 5 is a first side view thereof, the second side view being  
a mirror image;  
FIG. 6 is a top view thereof; and,  
FIG. 7 is a bottom view thereof.  
The dash-dot-dash lines represent the boundary of the  
claimed design. Uniform repeating broken lines show a sur-  
face feature around a camera, a doorbell button, and the back  
of the design. The dash-dot-dash lines and the uniform repeat-  
ing broken lines form no part of the claimed design.

(56) **References Cited**

**U.S. PATENT DOCUMENTS**

D283,130 S \* 3/1986 Boenning ..... D14/159  
D297,222 S 8/1988 Rauch

**1 Claim, 6 Drawing Sheets**



(56)

## References Cited

## U.S. PATENT DOCUMENTS

6,226,031	B1	5/2001	Barraclough	
6,429,893	B1	8/2002	Xin	
6,590,604	B1	7/2003	Tucker	
6,661,340	B1	12/2003	Saylor	
6,727,811	B1	4/2004	Fendis	
6,753,899	B2	6/2004	Lapalme	
6,778,084	B2	8/2004	Chang	
D500,751	S	1/2005	Yukikado	
D501,652	S	2/2005	Pierson	
7,015,943	B2	3/2006	Chiang	
D519,100	S *	4/2006	Shioya et al.	D14/159
D522,490	S	6/2006	Yukikado	
D525,963	S *	8/2006	Yukikado et al.	D14/159
7,113,578	B2 *	9/2006	Unger et al.	379/167.01
D531,160	S *	10/2006	Yukikado et al.	D14/159
7,193,644	B2	3/2007	Carter	
D562,306	S *	2/2008	Jeong et al.	D14/159
D577,301	S	9/2008	Johnson	
7,429,924	B2	9/2008	Langer	
7,477,134	B2	1/2009	Langer	
7,492,303	B1	2/2009	Levitan	
D588,574	S *	3/2009	Takahata	D14/159
7,583,191	B2	9/2009	Zinser	
7,738,917	B2	6/2010	Ryley	
7,746,223	B2	6/2010	Howarter	
7,752,070	B2	7/2010	Hatcher	
8,016,676	B2	9/2011	Carter	
8,139,098	B2	3/2012	Carter	
8,144,183	B2	3/2012	Carter	
8,144,184	B2	3/2012	Carter	
8,154,581	B2	4/2012	Carter	
8,164,614	B2	4/2012	Carter	
D660,819	S	5/2012	Chen	
8,193,919	B2	6/2012	Langer	
8,504,103	B2	8/2013	Ficquette	
D689,828	S	9/2013	Pierson	
8,565,399	B2	10/2013	Siminoff	
D692,847	S *	11/2013	Barley et al.	D14/159
D707,147	S	6/2014	Crippa	
D710,727	S	8/2014	Siminoff	
D710,728	S	8/2014	Siminoff	
D711,275	S	8/2014	Scalisi	
2004/0085205	A1	5/2004	Yeh	
2004/0086093	A1	5/2004	Schranz	
2004/0229569	A1	11/2004	Franz	
2005/0097248	A1	5/2005	Kelley	
2005/0285944	A1	12/2005	Watanabe	
2006/0093187	A1	5/2006	Mittal	
2006/0100002	A1	5/2006	Luebke	
2006/0139449	A1	6/2006	Cheng	
2006/0156361	A1	7/2006	Wang	
2006/0271678	A1	11/2006	Jessup	
2007/0126574	A1	6/2007	Langer	
2007/0194945	A1	8/2007	Atkinson	
2008/0036862	A1	2/2008	Lang	
2008/0297339	A1	12/2008	Mathews	
2009/0072963	A1	3/2009	Langer	
2009/0141939	A1	6/2009	Chambers	
2009/0284578	A1	11/2009	Carter	
2010/0087161	A1	4/2010	Young	
2010/0195810	A1	8/2010	Mota	
2012/0098439	A1	4/2012	Recker	
2012/0113253	A1	5/2012	Slater	
2012/0162416	A1	6/2012	Su	
2012/0262581	A1	10/2012	Carter	
2012/0280783	A1	11/2012	Gerhardt	
2012/0280789	A1	11/2012	Gerhardt	
2012/0280790	A1	11/2012	Gerhardt	
2012/0287123	A1	11/2012	Starner	
2013/0045763	A1	2/2013	Ruiz	
2013/0057695	A1	3/2013	Huisking	
2013/0094444	A1	4/2013	Lai	
2013/0128050	A1	5/2013	Aghdasi	
2013/0130749	A1	5/2013	Andersen	
2013/0208123	A1	8/2013	Lakhani	

## FOREIGN PATENT DOCUMENTS

CN	202939738	5/2013
EP	684743	11/1995
GB	2400958	10/2004
WO	01/93220	12/2001

## OTHER PUBLICATIONS

Squaritz IDS—Intelligent Doorbell System—Downloaded on Aug. 15, 2013 from <http://www.indiegogo.com/projects/squaritz-ids-intelligent-doorbell-system>.

Wireless Video Doorbell Pager—Downloaded on Aug. 9, 2013 from <http://www.indiegogo.com/projects/wireless-video-doorbell-pager--4>.

Lockitron—Downloaded on Jul. 24, 2013 from <https://lockitron.com/preorder>.

Eyetaalk for Home—Downloaded May 24, 2013 from <http://www.revolutionaryconceptsinc.com/forhome.html>.

DoorBot —Downloaded on Jul. 26, 2013 from <http://www.getdoorbot.com>.

Langer Doorbell Button Sized Light—Downloaded on Sep. 16, 2013 from <http://www.youtube.com/watch?v=u9nNCm4tSYI>.

Langer Doorbell Light—Downloaded on Sep. 16, 2013 from <http://www.youtube.com/watch?v=6dbU-Gyjg8>.

SmartBell on Kickstarter—Downloaded on Feb. 28, 2014 from <http://www.kickstarter.com/projects/1256599792/smartbell-wi-fi-doorbell-for-video-chats-to-ios-an>.

DefenDoor by Glate LLC—Downloaded on Dec. 11, 2014 from <https://www.kickstarter.com/projects/85455040/defendoor-a-home-security-system-that-syncs-with-y>.

Doorbot—Downloaded on Nov. 18, 2013 from <http://www.craigncompany.com/home-tech-doorbot/>; prior art publication at least as of Jun. 10, 2013.

Doorbot—Downloaded on Nov. 18, 2013 from <http://thenextweb.com/insider/2012/12/10/satisfaction-lies-in-hardware-for-siminoffs-christie-street-platform-and-doorbot-video-streaming-doorbell/>; prior art publication at least as of Dec. 10, 2012.

Doorbot—Downloaded on Nov. 18, 2013 from <http://www.digitaltrends.com/lifestyle/doorbot-camera-see-visitors-smartphone/>; prior art publication at least as of Dec. 9, 2012.

Doorbot website—Downloaded on Nov. 18, 2013 from <http://www.getdoorbot.com/>.

Doorbot users manual—Downloaded on Nov. 18, 2013 from <http://static.mydoorbot.com/DoorBot%20Users%20Manual%0201.0.pdf>.

Doorbot “fact sheet”—Downloaded on Nov. 18, 2013 from <http://cdn.shopify.com/s/files/1/0247/6501/files/DoorBotMediaKit.pdf?17037>.

Doorbot “features kit”—Downloaded on Nov. 18, 2013 from [http://cdn.shopify.com/s/files/10247/6501/files/DoorBot\\_Features\\_Kit.pdf?17037](http://cdn.shopify.com/s/files/10247/6501/files/DoorBot_Features_Kit.pdf?17037).

CellNock index page—Originally downloaded on Sep. 23, 2013 from <http://cellnock.com/index.html>; The website says CellNock is “patent pending”.

CellNock about founder page—downloaded on Nov. 18, 2013 from <http://cellnock.com/index.html>; The website says CellNock is “patent pending”.

CellNock learn more page—Downloaded on Nov. 18, 2013 from [http://cellnock.com/learn\\_more.htm](http://cellnock.com/learn_more.htm); The website says CellNock is “patent pending”.

CellNock product page—Downloaded on Nov. 18, 2013 from <http://cellnock.com/products.htm>; The website says CellNock is “patent pending”.

Philips InSight Baby Monitor—Originally downloaded on Jul. 24, 2013 from [http://www.amazon.com/Philips-B120-37-InSight-Wireless/dp/B00AALO9Z6/ref=sr\\_1\\_3?ie=UTF8&qid=1384808431&sr=8-3&keywords=philips+insight](http://www.amazon.com/Philips-B120-37-InSight-Wireless/dp/B00AALO9Z6/ref=sr_1_3?ie=UTF8&qid=1384808431&sr=8-3&keywords=philips+insight).

MySkyBell.com—Part 1 (previously iDoorCam.com)—Downloaded on Nov. 18, 2013 from <http://www.myskybell.com/>.

MySkyBell.com—Part 2 (previously iDoorCam.com)—Downloaded on Nov. 18, 2013 from <http://www.myskybell.com/>.

MySkyBell.com—Part 3 (previously iDoorCam.com)—Downloaded on Nov. 18, 2013 from <http://www.myskybell.com/>.

(56)

**References Cited**

## OTHER PUBLICATIONS

MySkyBell.com—Part 4 (previously iDoorCam.com)—Downloaded on Nov. 18, 2013 from <http://www.myskybell.com/>.

MySkyBell.com—Part 5 (previously iDoorCam.com)—Downloaded on Nov. 18, 2013 from <http://www.myskybell.com/>.

Squaritz IDS Doorbell System—Downloaded on Aug. 15, 2013 from <http://www.indiegogo.com/projects/squaritz-ids-intelligent-doorbell-system>.

MyBells—Downloaded on Nov. 18, 2013 from <http://www.indiegogo.com/projects/mybells-the-smart-bells>.

EyeTalk for home—Downloaded on May, 2013 from <http://www.revolutionaryconceptsinc.com/forhome.html>.

EyeTalk Product—Downloaded on Nov. 18, 2013 from <http://www.revolutionaryconceptsinc.com/eyetalk.html>.

Langer Doorbell Light—Downloaded on Nov. 18, 2013 from <http://www.youtube.com/watch?v=u9nNCm4tSYI>; published at least as early as Apr. 2013.

SmartBell—Downloaded on Dec. 5, 2013 from [http://smartbell.co/This\\_is\\_smartbell.html](http://smartbell.co/This_is_smartbell.html).

SmartBell—Downloaded on Dec. 5, 2013 from [http://smartbell.co/Tech\\_specs.html](http://smartbell.co/Tech_specs.html).

SmartBell—Downloaded on Dec. 5, 2013 from <http://smartbell.co/FAQ.html>.

SmartBell—A Doorbell for Smartphones, published by Scrambled Brains Tech, LLC., Oct. 1, 2013.

August Smart Lock—Part 1—Downloaded on Jun. 10, 2014 from [www.August.com](http://www.August.com).

August Smart Lock—Part 2—Downloaded on Jun. 10, 2014 from [www.August.com](http://www.August.com).

August Smart Lock—Part 3—Downloaded on Oct. 10, 2014 from [www.August.com](http://www.August.com).

Kevo Lock—User guide—Downloaded on Jun. 10, 2014 from [http://s7d5.scene7.com/is/content/BDHHI/Kwikset/Website%20Content/Kevo/kevo-userguide-kwikset\\_eng.pdf](http://s7d5.scene7.com/is/content/BDHHI/Kwikset/Website%20Content/Kevo/kevo-userguide-kwikset_eng.pdf).

Kevo Lock—Installation guide—Downloaded on Oct. 10, 2014 from [http://s7d5.scene7.com/is/content/BDHHI/Kwikset/Website%20Content/Kevo/installation\\_guide.pdf](http://s7d5.scene7.com/is/content/BDHHI/Kwikset/Website%20Content/Kevo/installation_guide.pdf).

Schlage Electronic Lock—User guide—Downloaded on Jun. 10, 2014 from [www.schlage.com](http://www.schlage.com).

Lock-Style Solenoid—Downloaded on Aug. 22, 2014 from [www.AdaFruit.com](http://www.AdaFruit.com).

Power Matters Alliance—Downloaded on Aug. 23, 2014 from [www.wikipedia.com](http://www.wikipedia.com).

Push-Pull Solenoid—Downloaded on Aug. 22, 2014 from [www.AdaFruit.com](http://www.AdaFruit.com).

Push-Pull Solenoid—Technical Details—Downloaded on Aug. 22, 2014 from [www.AdaFruit.com](http://www.AdaFruit.com).

Qi—Downloaded on Aug. 23, 2014 from [www.wikipedia.com](http://www.wikipedia.com).

TP-Link—Website—Downloaded on Jul. 15, 2014 from [www.tp-link.us](http://www.tp-link.us).

TP-Link—User guide—Downloaded on Jul. 15, 2014 from [www.tp-link.us](http://www.tp-link.us).

AC Adapter Spy Camera—Downloaded on Jun. 24, 2014 from [ahdcameras.com](http://ahdcameras.com).

FanFare Chime—Downloaded on Oct. 10, 2014 from <https://www.kickstarter.com/projects/1040187373/1919517395?token=47099d90>.

Ring Video Doorbell—Downloaded on Oct. 10, 2014 from [www.ring.com](http://www.ring.com).

Doorboot becomes Ring—Downloaded on Oct. 10, 2014 from [http://techcrunch.com/2014/09/29/doorbot-ring-home-security-doorbell/?ncid=rss&utm\\_source=feedburner&utm\\_medium=feed&utm\\_campaign=Feed](http://techcrunch.com/2014/09/29/doorbot-ring-home-security-doorbell/?ncid=rss&utm_source=feedburner&utm_medium=feed&utm_campaign=Feed).

iChime Customizable Digital Chime System—Downloaded on Nov. 7, 2014 from <http://www.ichime.com/>.

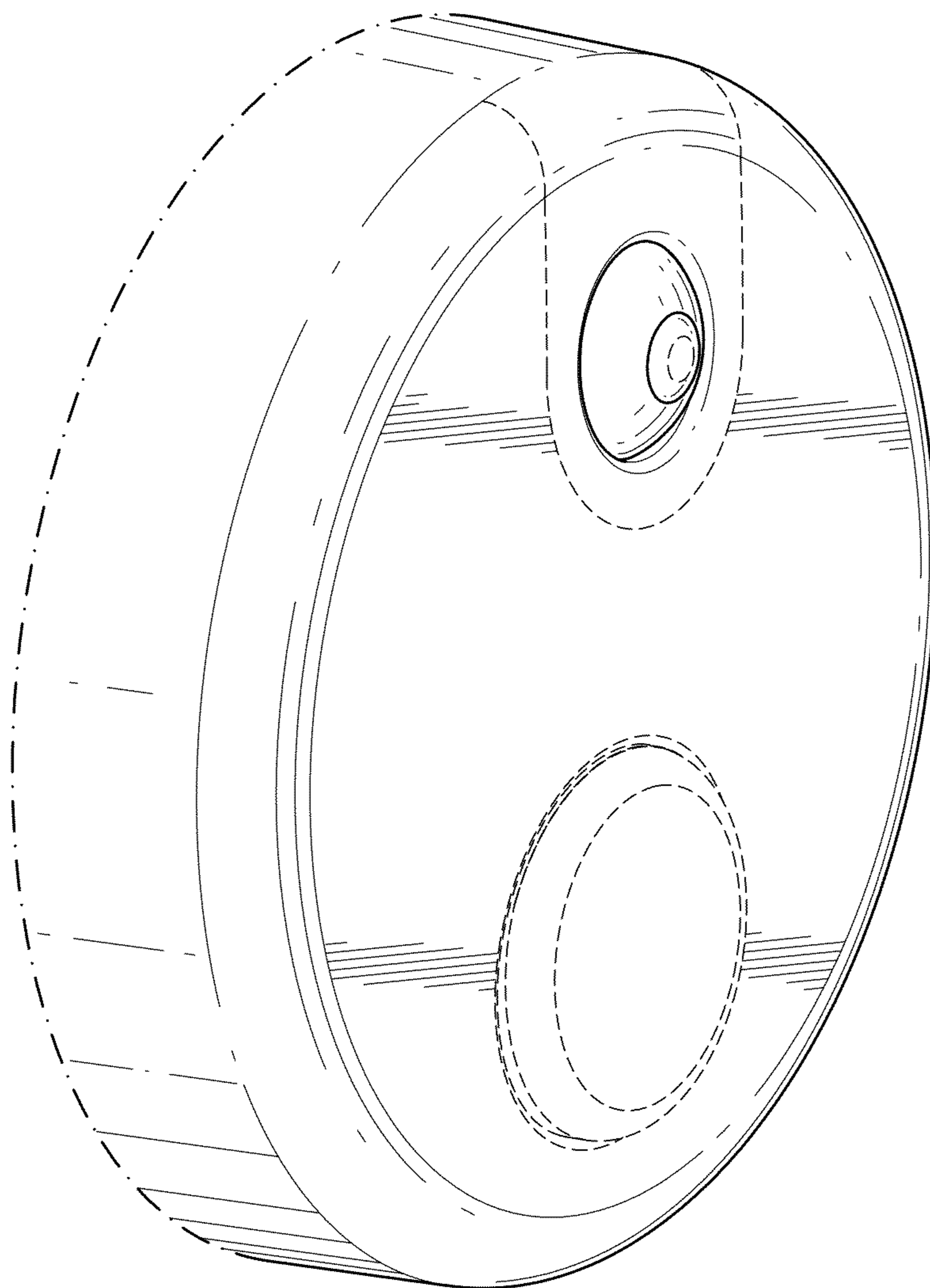
Philips InSight Wireless HD Baby Monitor—Downloaded on Jul. 24, 2013 from [http://www.amazon.com/Philips-InSight-Wireless-Baby-Monitor/dp/B00AAL09Z6/ref=sr\\_1\\_2?ie=UTF8&qid=1374704204&sr=8-2&keywords=philips+insight+wi-fi+baby+monitor](http://www.amazon.com/Philips-InSight-Wireless-Baby-Monitor/dp/B00AAL09Z6/ref=sr_1_2?ie=UTF8&qid=1374704204&sr=8-2&keywords=philips+insight+wi-fi+baby+monitor).

CellNock—Downloaded on Sep. 23, 2013 from <http://cellnock.com/products.htm>.

CellNock Index—Downloaded on Sep. 23, 2013 from <http://cellnock.com/index.html>.

DoorBot—Downloaded on Jun. 14, 2013 from <https://christiestreet.com/products/doorbot>.

\* cited by examiner



*FIG. 1*

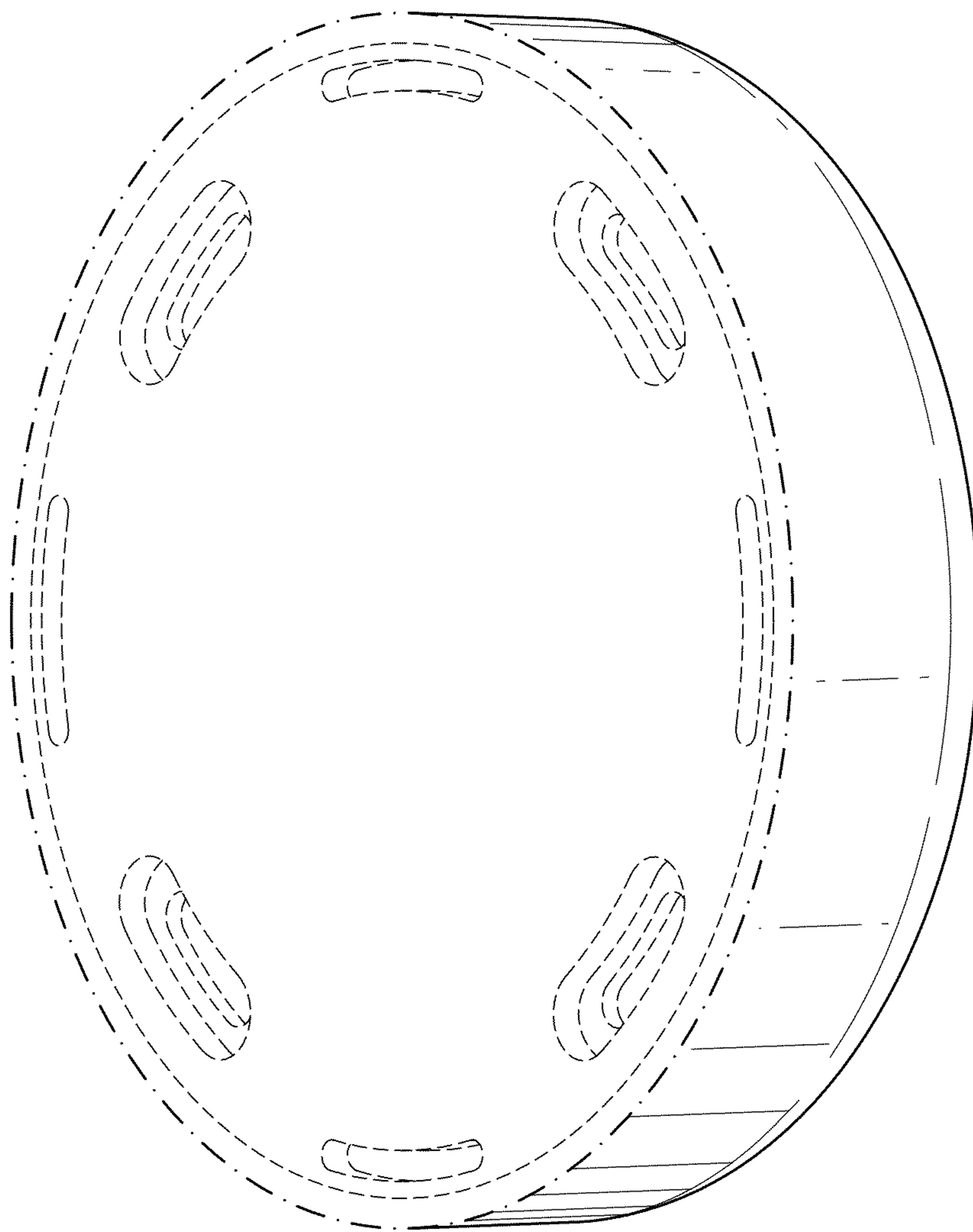
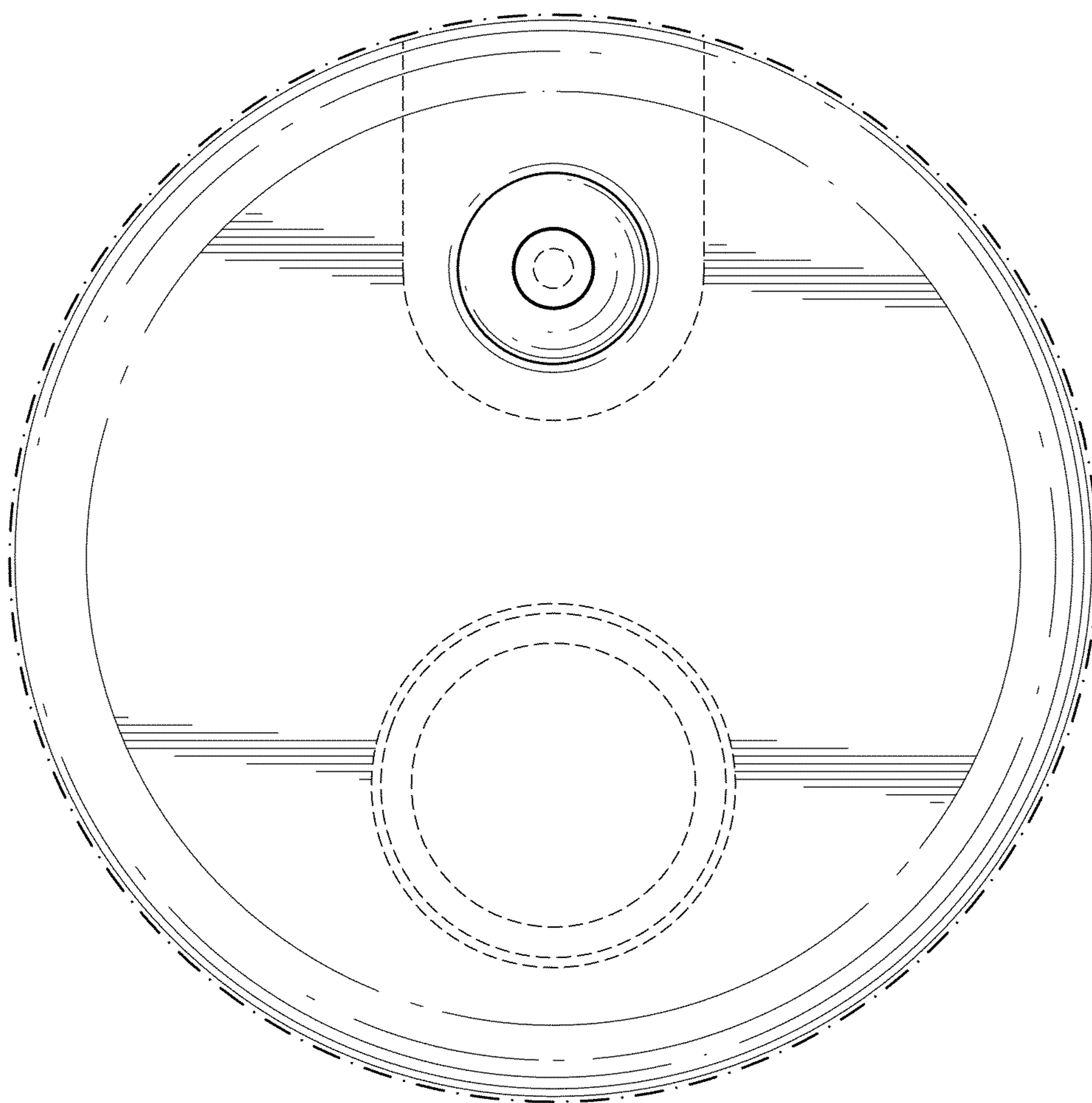


FIG. 2



*FIG. 3*

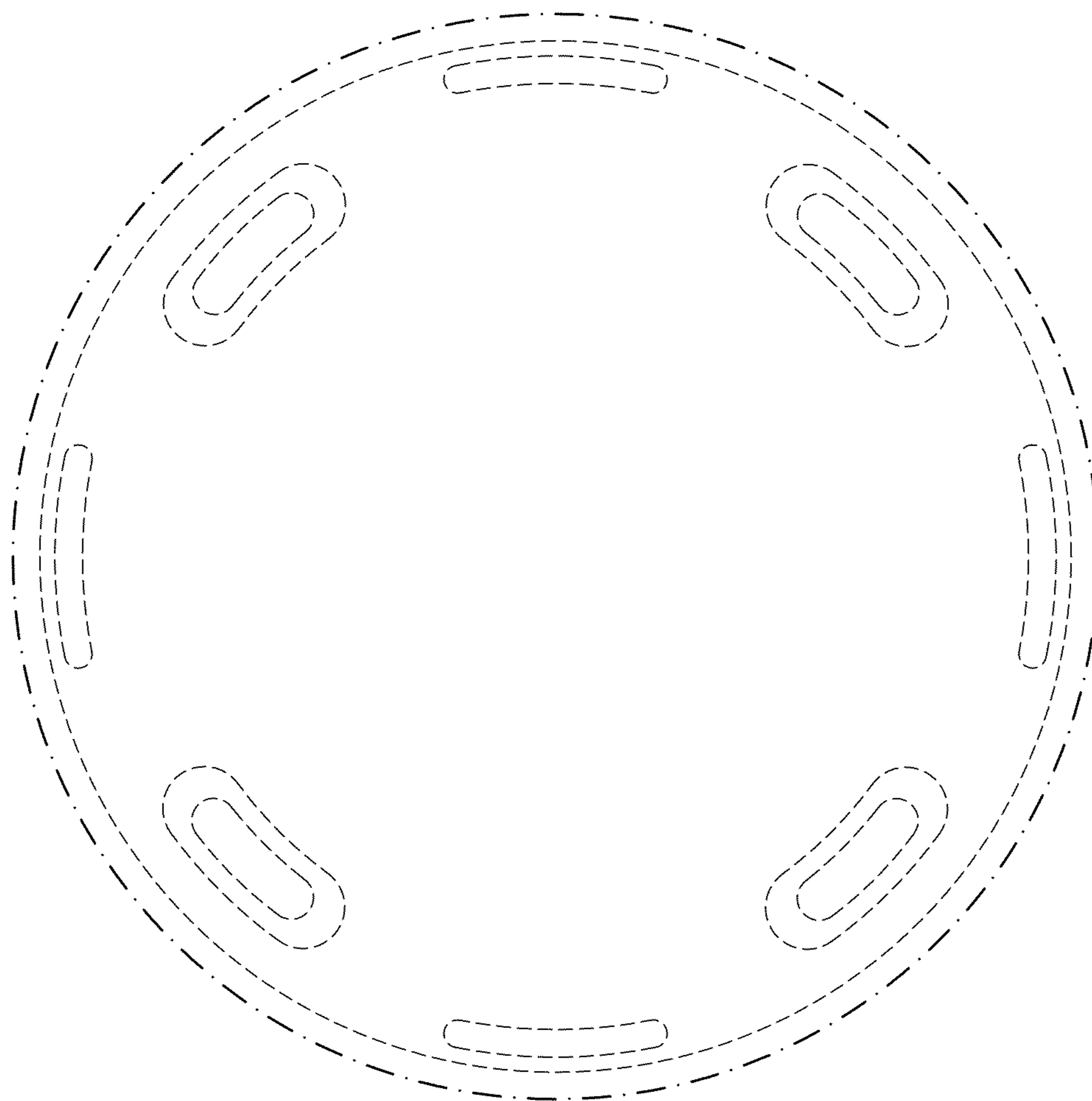
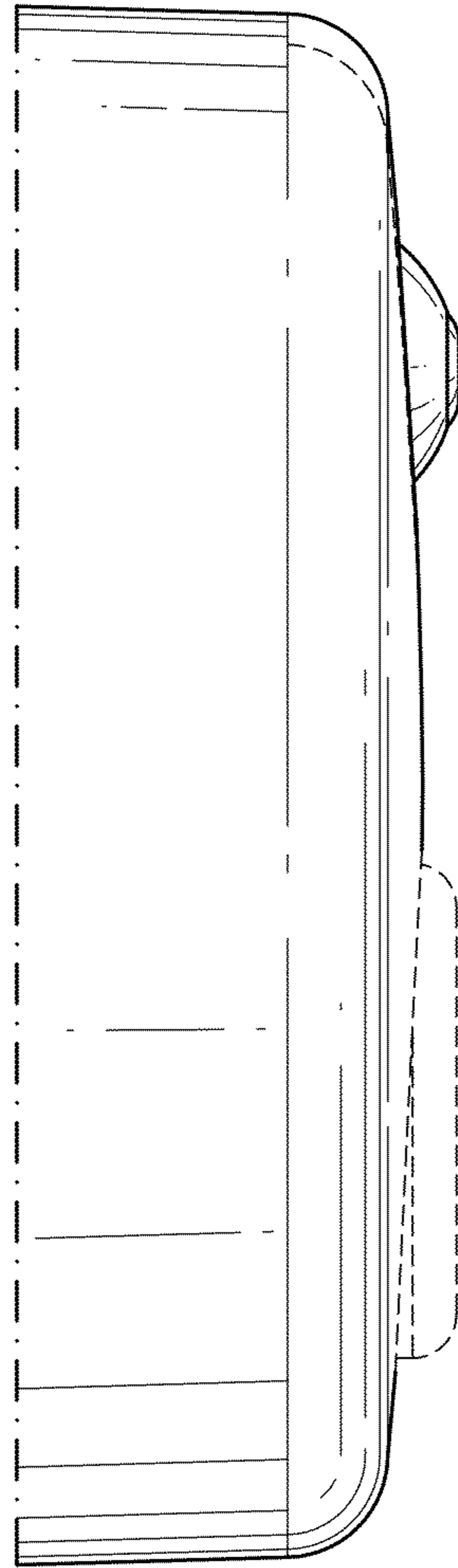
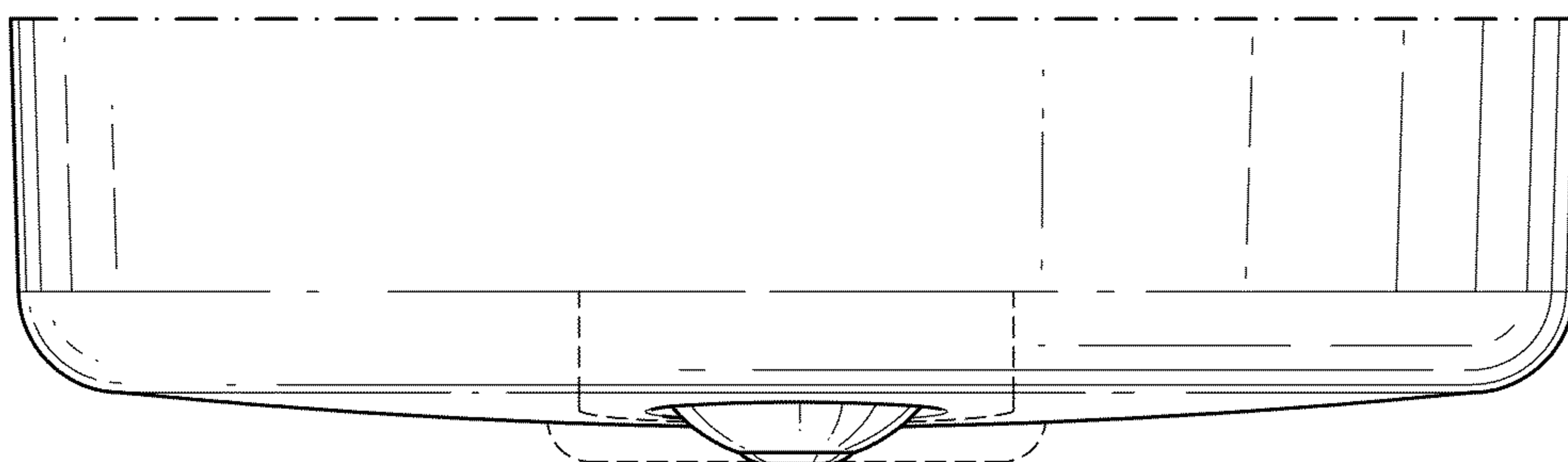


FIG. 4

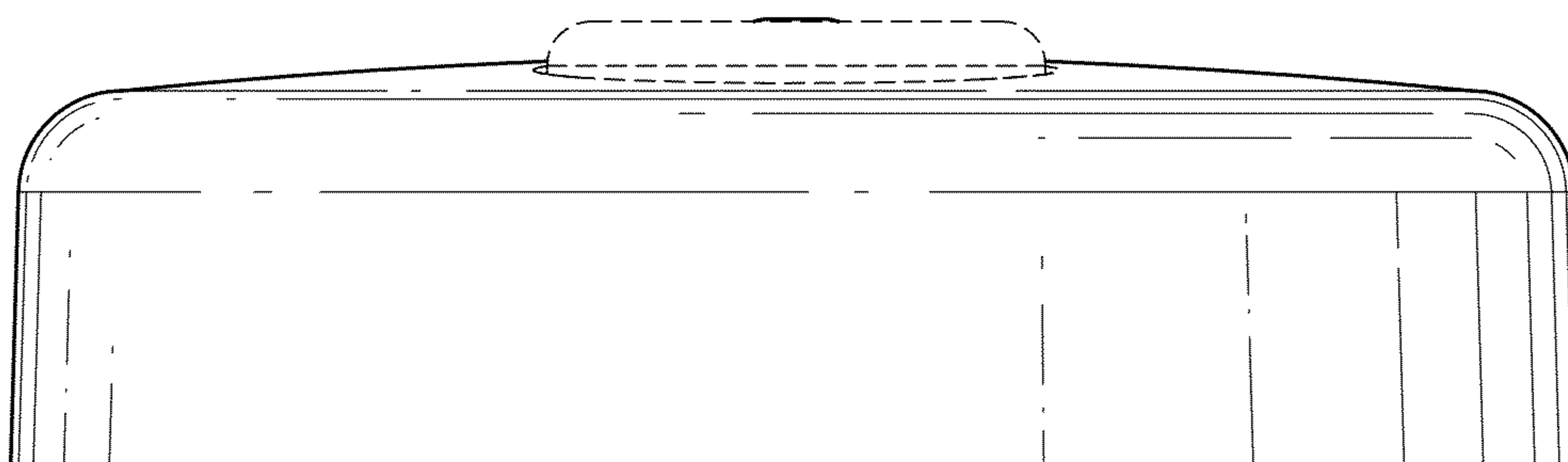


*FIG. 5*





*FIG. 6*



*FIG. 7*