



US00D727768S

(12) **United States Design Patent**
Nagano

(10) **Patent No.:** **US D727,768 S**

(45) **Date of Patent:** **** Apr. 28, 2015**

- (54) **SPEEDOMETER FOR A BICYCLE**
- (71) Applicant: **Cateye Company, Ltd.**, Osaka (JP)
- (72) Inventor: **Toshiyuki Nagano**, Osaka (JP)
- (**) Term: **14 Years**
- (21) Appl. No.: **29/475,991**
- (22) Filed: **Dec. 10, 2013**

D680,890	S	*	4/2013	Ueda et al.	D10/98
D704,583	S	*	5/2014	Ueda et al.	D10/98
2004/0095362	A1	*	5/2004	Koumoto	345/636
2009/0099725	A1	*	4/2009	Pesch et al.	701/35
2010/0206070	A1	*	8/2010	Chih et al.	73/495

FOREIGN PATENT DOCUMENTS

JP	1471697	6/2013
TW	D109594	3/2006
TW	D116668	5/2007
TW	D137555	11/2010
TW	D152447	3/2013

* cited by examiner

- (30) **Foreign Application Priority Data**
- Jun. 28, 2013 (JP) 2013-014729
- (51) **LOC (10) Cl.** **10-04**
- (52) **U.S. Cl.**
- USPC **D10/98**
- (58) **Field of Classification Search**
- CPC G01P 3/478; G01P 3/488; G01P 3/4953;
G01P 21/02; G01C 22/00; G01C 22/002
- USPC D10/98
- See application file for complete search history.

Primary Examiner — Antoine D Davis
(74) *Attorney, Agent, or Firm* — Arnstein & Lehr LLP

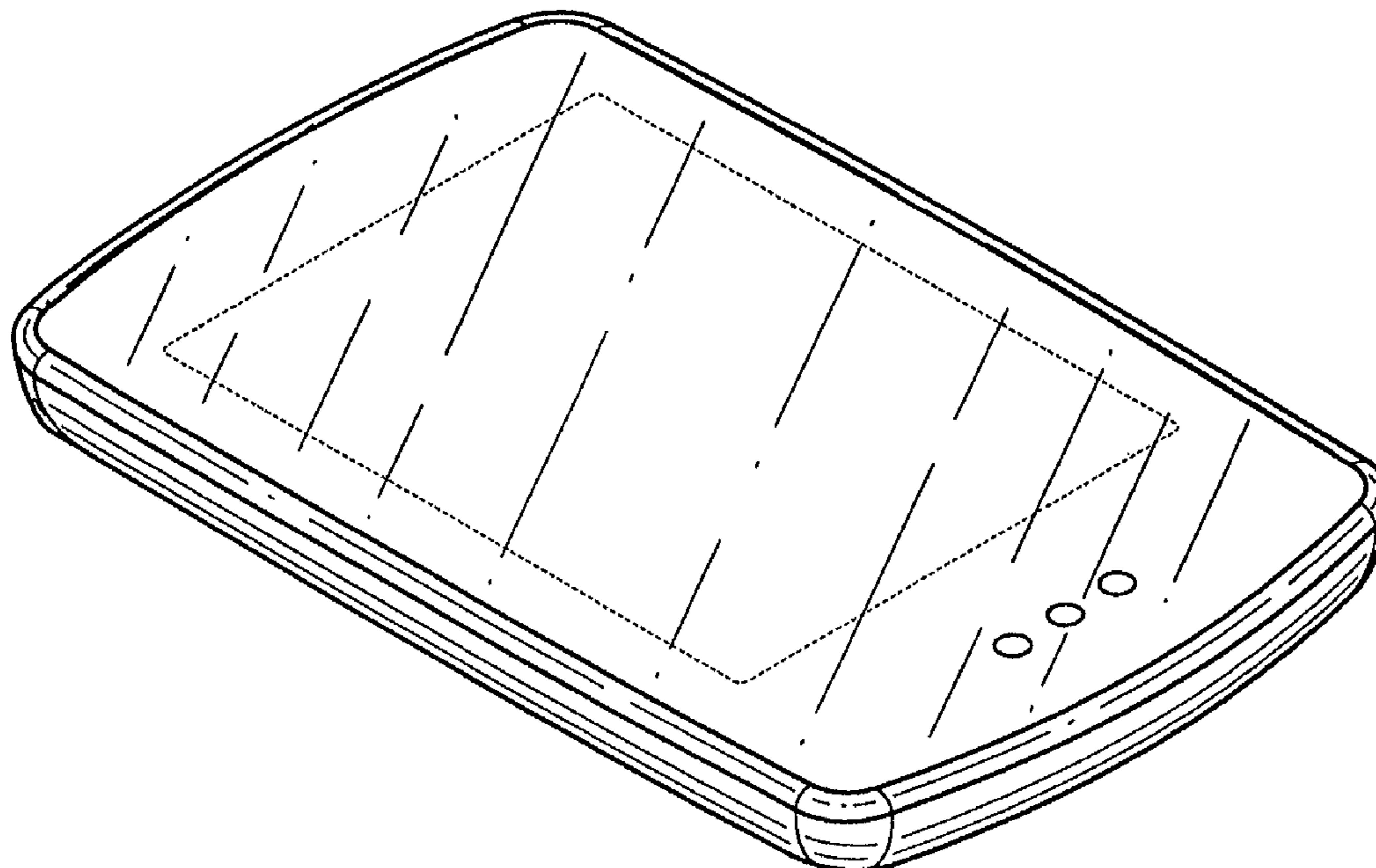
(57) **CLAIM**
The ornamental design for a speedometer for a bicycle, as shown.

DESCRIPTION

FIG. 1 is a perspective view of a speedometer for a bicycle showing my new design;
FIG. 2 is a front view thereof;
FIG. 3 is a rear view thereof;
FIG. 4 is a top plan view thereof;
FIG. 5 is a bottom plan view thereof;
FIG. 6 is a right side view thereof; and,
FIG. 7 is a left side view thereof.

1 Claim, 5 Drawing Sheets

- (56) **References Cited**
- U.S. PATENT DOCUMENTS**
- D296,770 S * 7/1988 Lloyd D10/102
- D553,528 S * 10/2007 Ueda et al. D10/98
- D637,508 S * 5/2011 Ueda et al. D10/98
- D645,371 S * 9/2011 Ueda et al. D10/98



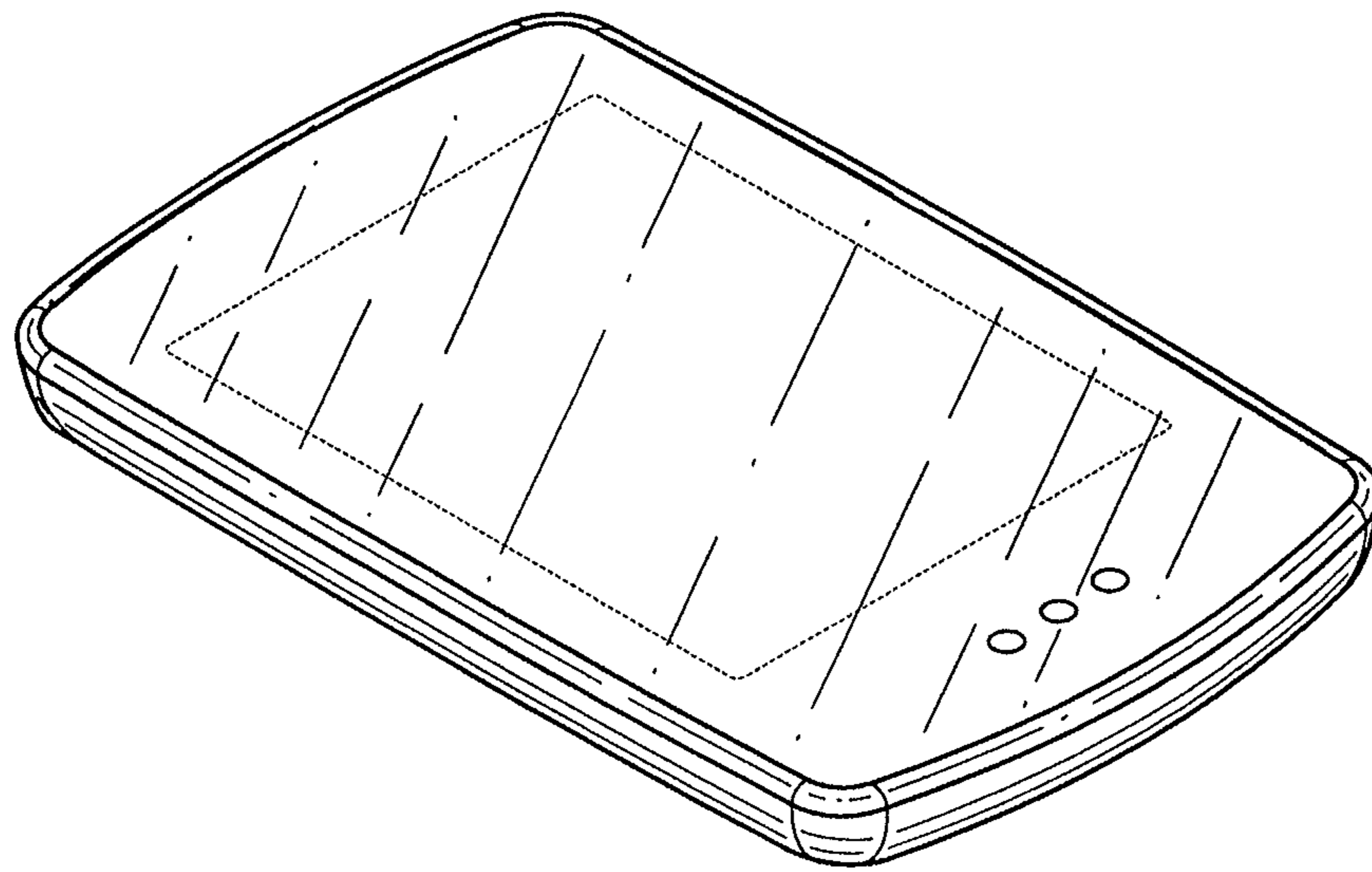


Fig. 1

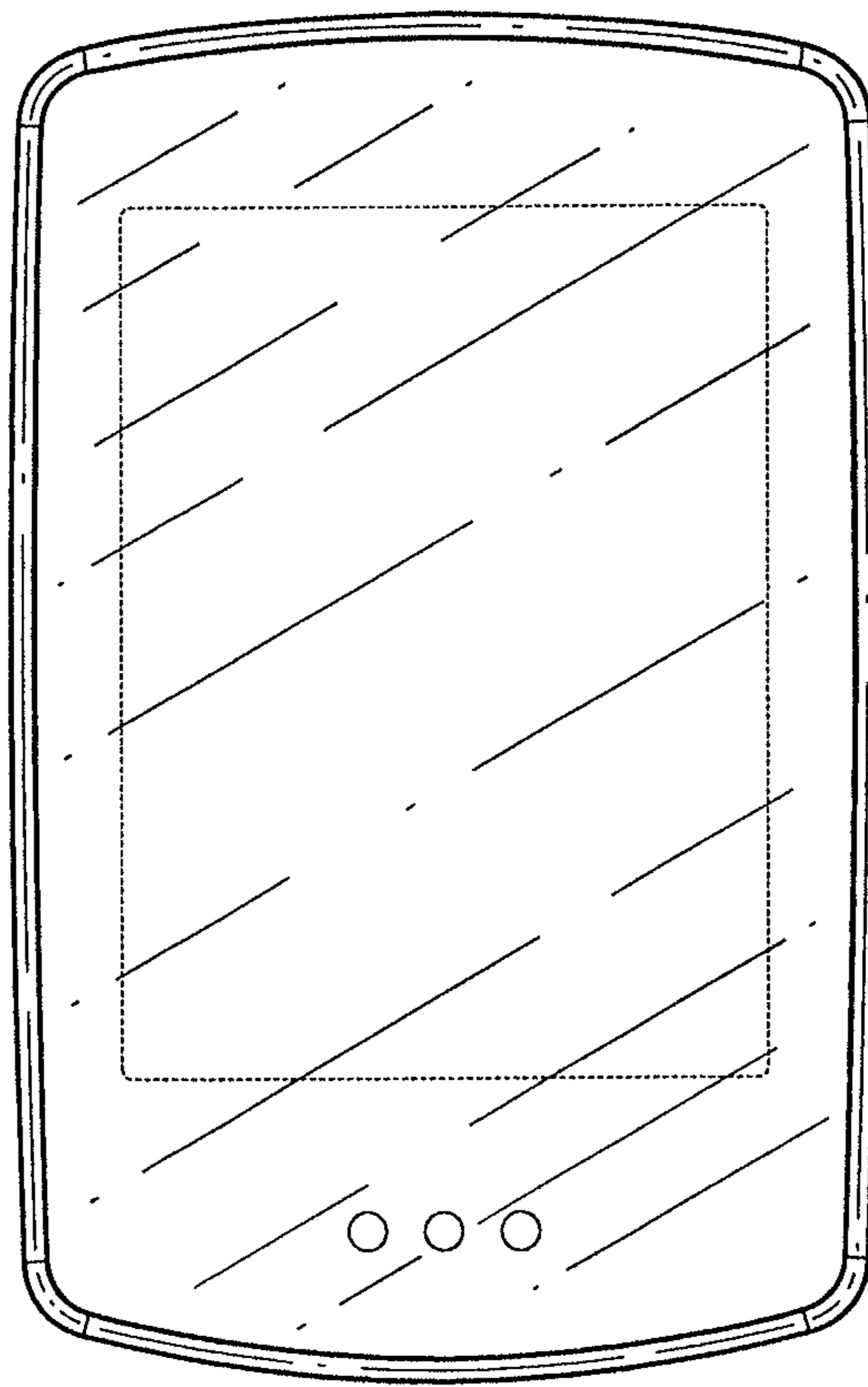


Fig. 2

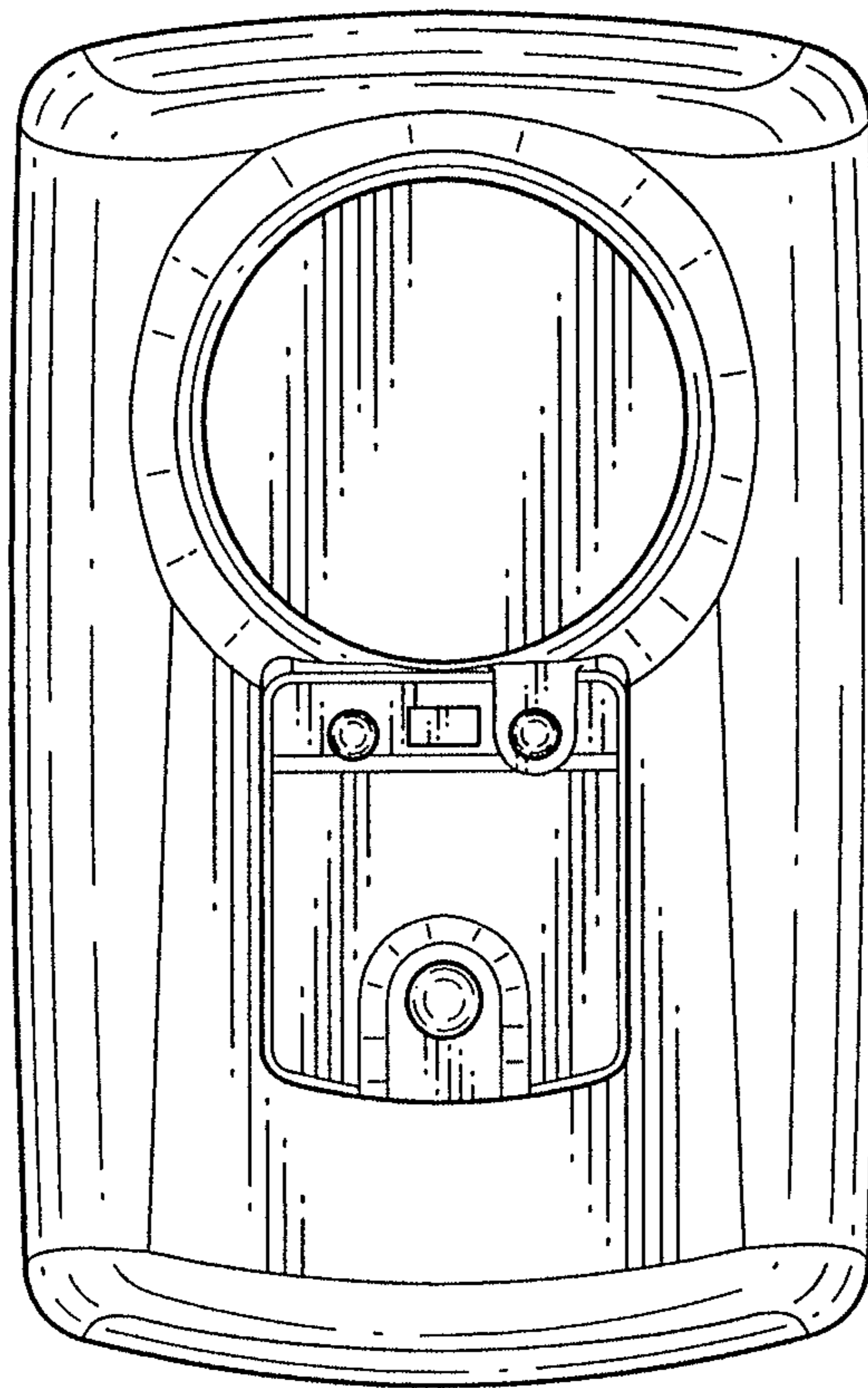


Fig. 3

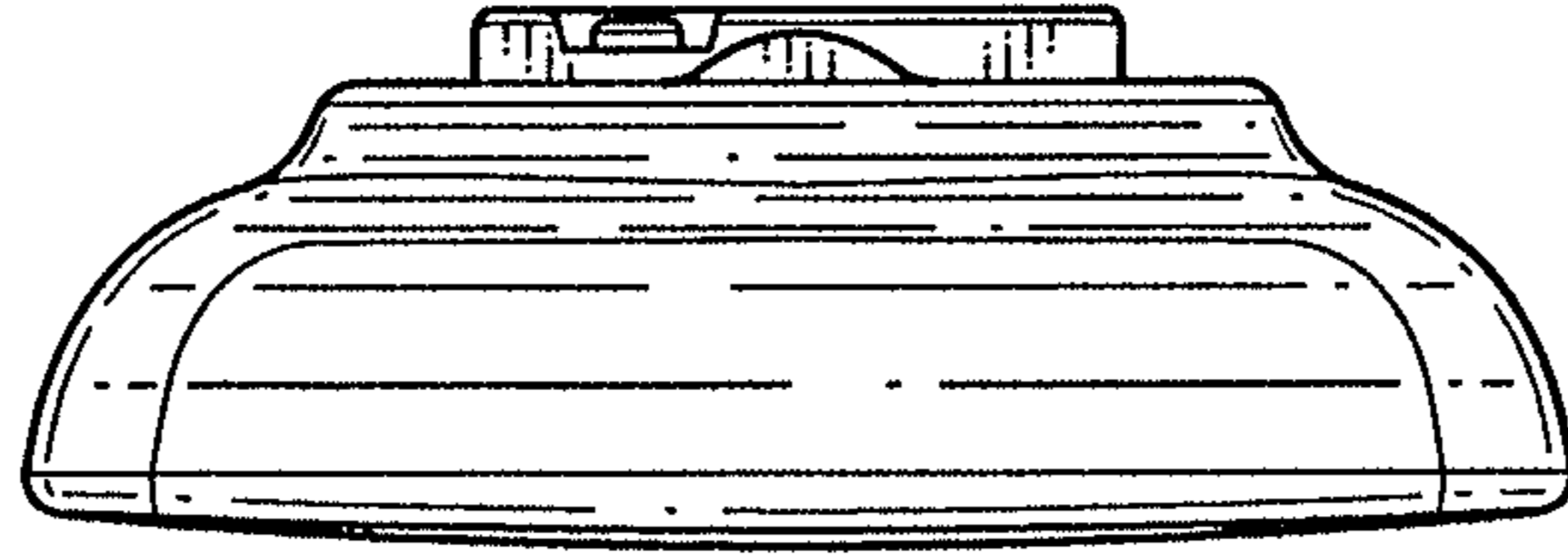


Fig. 4

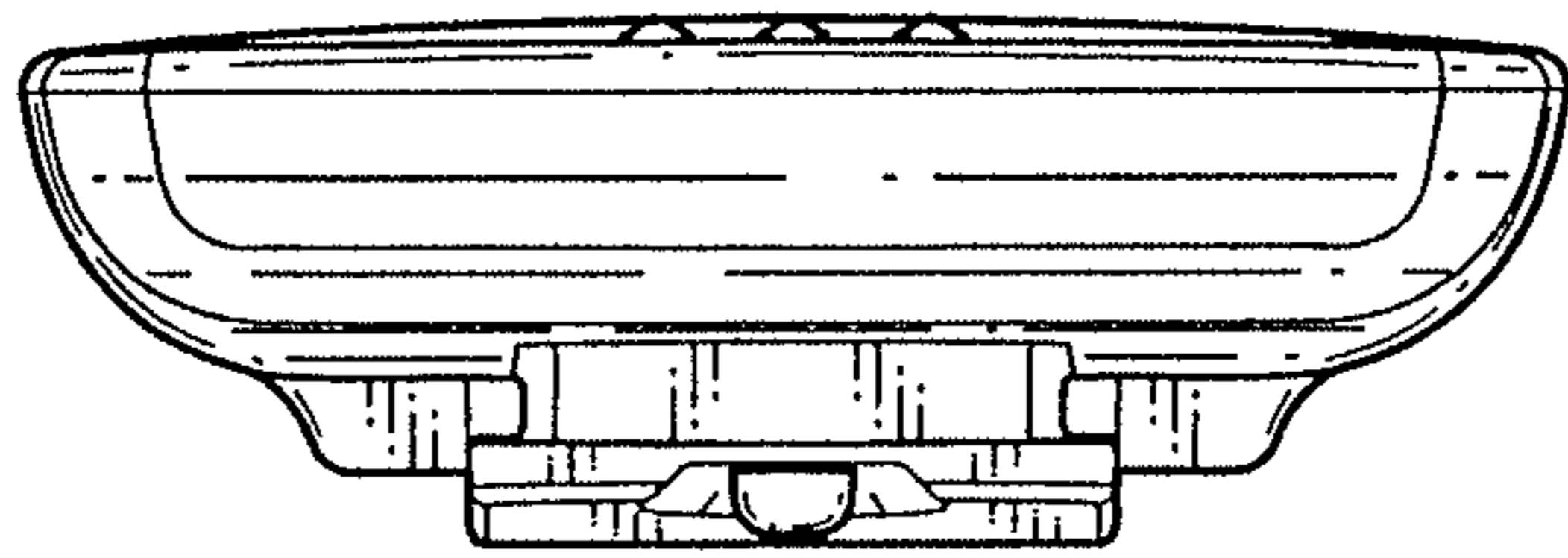


Fig. 5

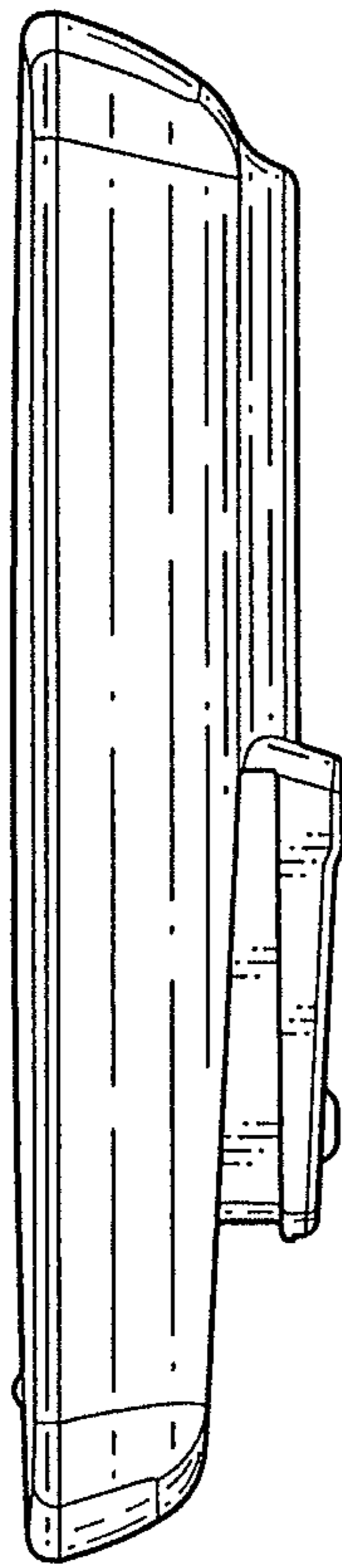


Fig. 6

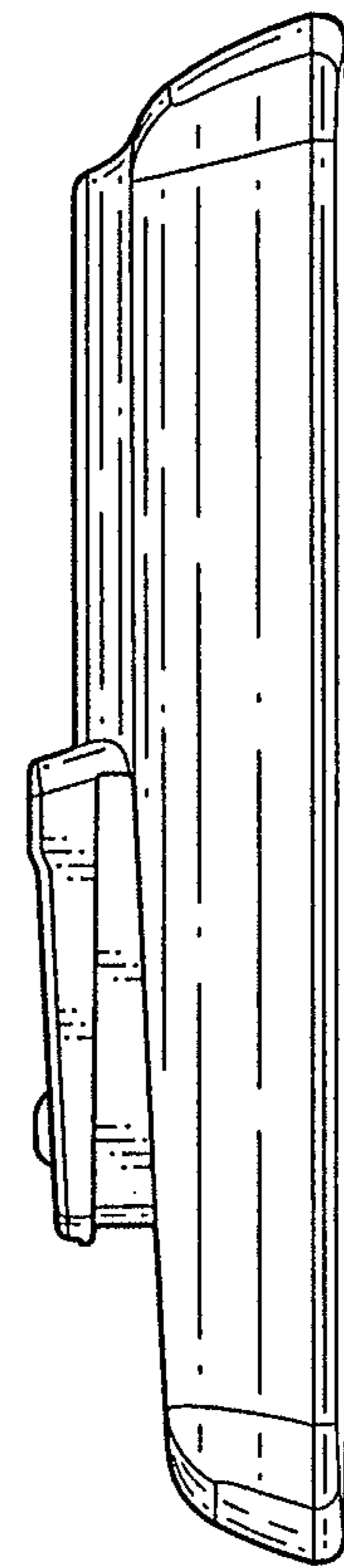


Fig. 7