



US00D727767S

(12) **United States Design Patent**
Wu et al.

(10) **Patent No.:** **US D727,767 S**

(45) **Date of Patent:** **** Apr. 28, 2015**

(54) **WEIGHING INSTRUMENT WITH DRAFT SHIELD**

(71) Applicant: **Ohaus Instruments (Shanghai) Co., Ltd.**, Shanghai (CN)

(72) Inventors: **Jian Wu**, Shanghai (CN); **Huawei Zhang**, Shanghai (CN)

(73) Assignee: **Ohaus Instruments (Shanghai) Co., Ltd.**, Shanghai (CN)

(**) Term: **14 Years**

(21) Appl. No.: **29/491,901**

(22) Filed: **May 27, 2014**

(30) **Foreign Application Priority Data**

Nov. 29, 2013 (CN) 2013 3 0588723

(51) **LOC (10) Cl.** **10-04**

(52) **U.S. Cl.**
USPC **D10/91**

(58) **Field of Classification Search**

CPC A61B 5/053; A61B 5/4872; A61B 5/0537;
A61B 5/4869; A61B 5/6825; A61B 5/6829;
A61B 5/7445; G01G 1/00-1/42; G01G
3/00-3/18; G01G 5/00-5/06; G01G
7/00-7/06; G01G 9/00; G01G 9/005; G01G
11/00

USPC D10/87-94
See application file for complete search history.

(56) **References Cited**

U.S. PATENT DOCUMENTS

5,481,071	A *	1/1996	Wojnarski	177/124
D458,553	S *	6/2002	Dwertmann	D10/91
D622,623	S *	8/2010	Pohl et al.	D10/91
8,067,705	B2 *	11/2011	Izumo et al.	177/180
8,203,086	B2 *	6/2012	Izumo et al.	177/180
D670,184	S	11/2012	Pobocho et al.	
D670,185	S	11/2012	Pobocho et al.	
D670,590	S	11/2012	Pobocho et al.	
D705,683	S *	5/2014	Lauer	D10/91

* cited by examiner

Primary Examiner — Antoine D Davis

(74) *Attorney, Agent, or Firm* — Standley Law Group LLP

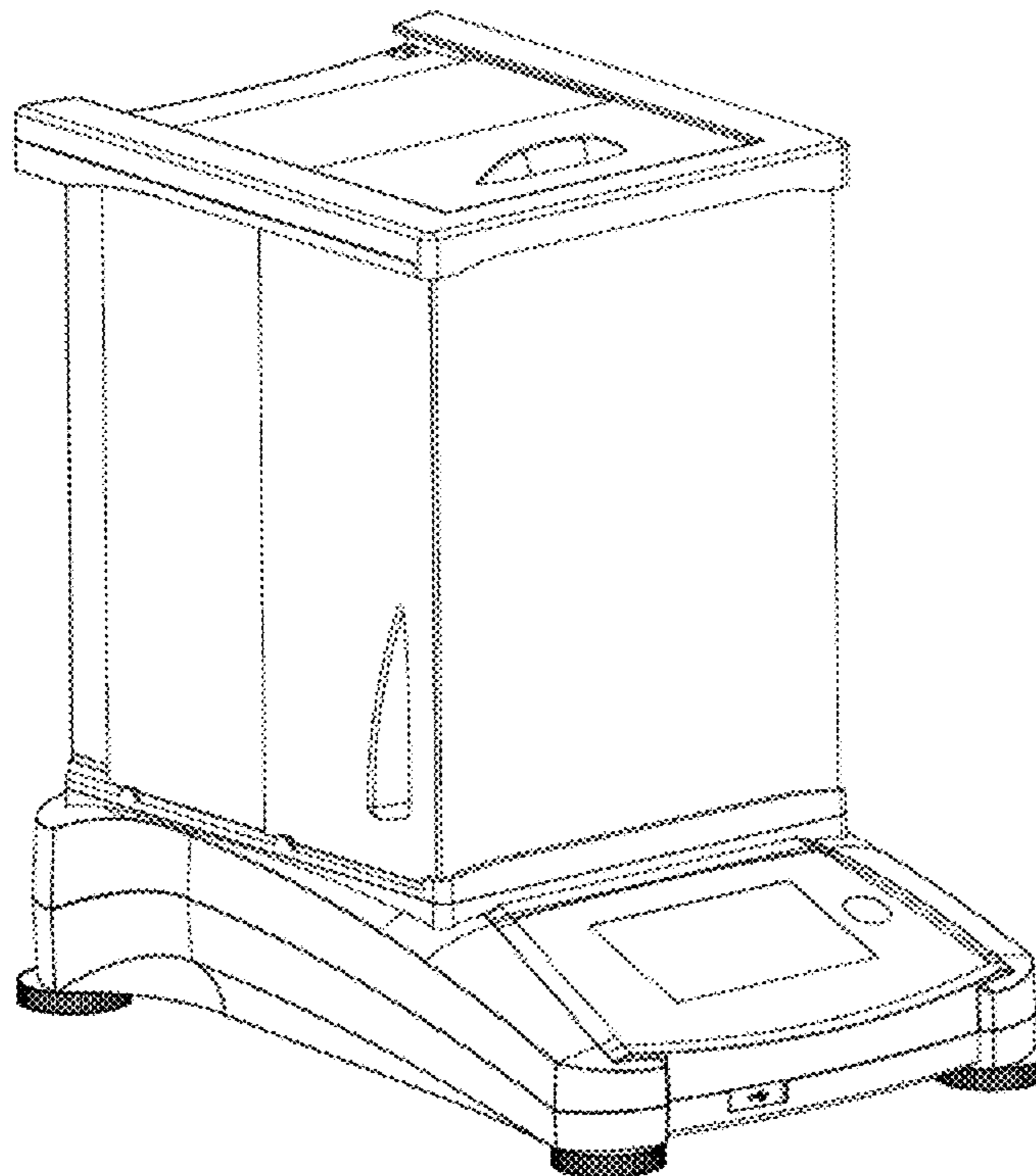
(57) **CLAIM**

The ornamental design for a weighing instrument with draft shield, as shown and described.

DESCRIPTION

FIG. 1 is a front perspective view of the weighing instrument with draft shield;
FIG. 2 is a right-side elevation view of the FIG. 1 device;
FIG. 3 is a left-side elevation view of the FIG. 1 device;
FIG. 4 is a front elevation view of the FIG. 1 device;
FIG. 5 is a rear elevation view of the FIG. 1 device;
FIG. 6 is a top plan view of the FIG. 1 device; and,
FIG. 7 is a bottom plan view of the FIG. 1 device.

1 Claim, 7 Drawing Sheets



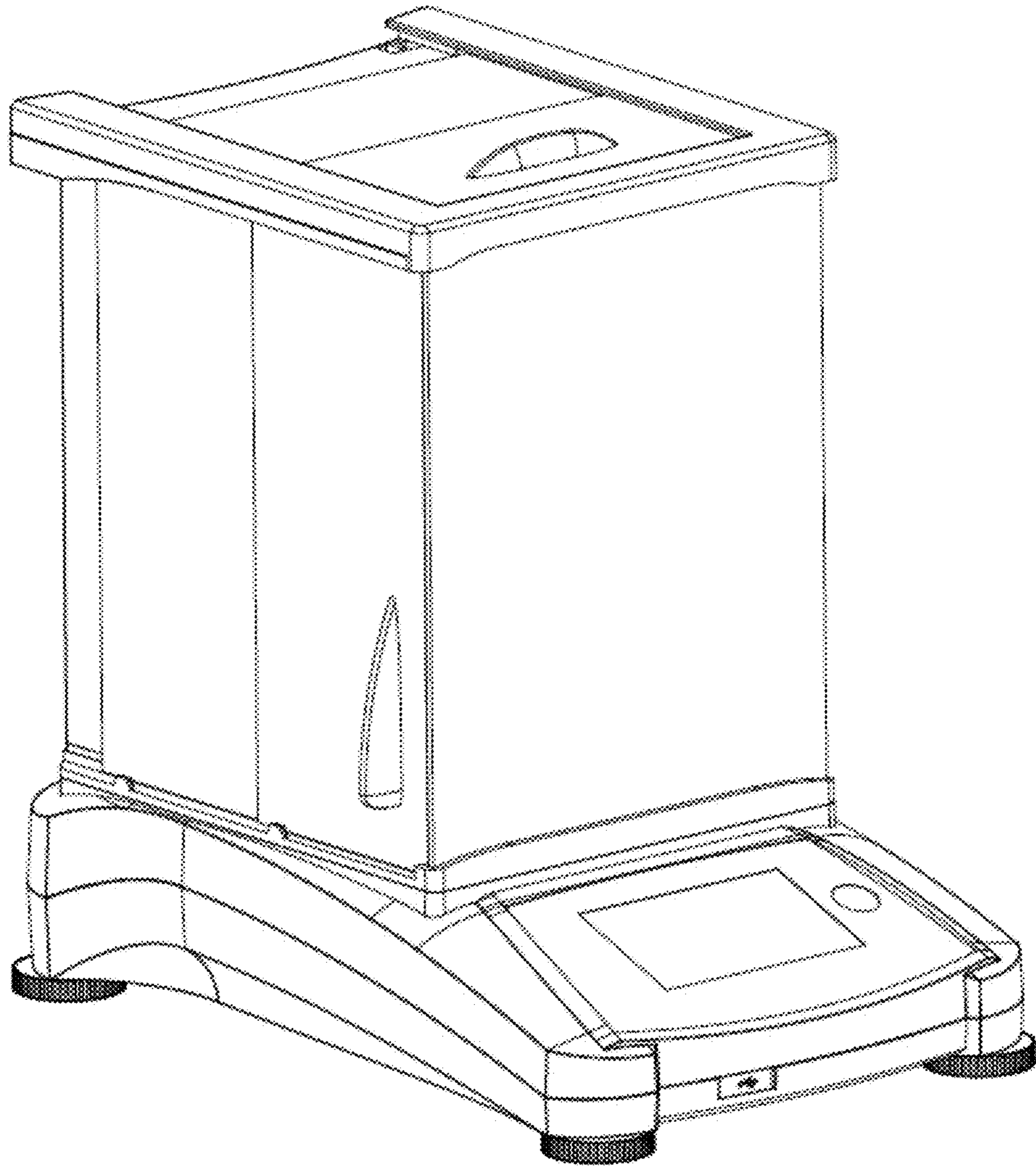


FIG. 1

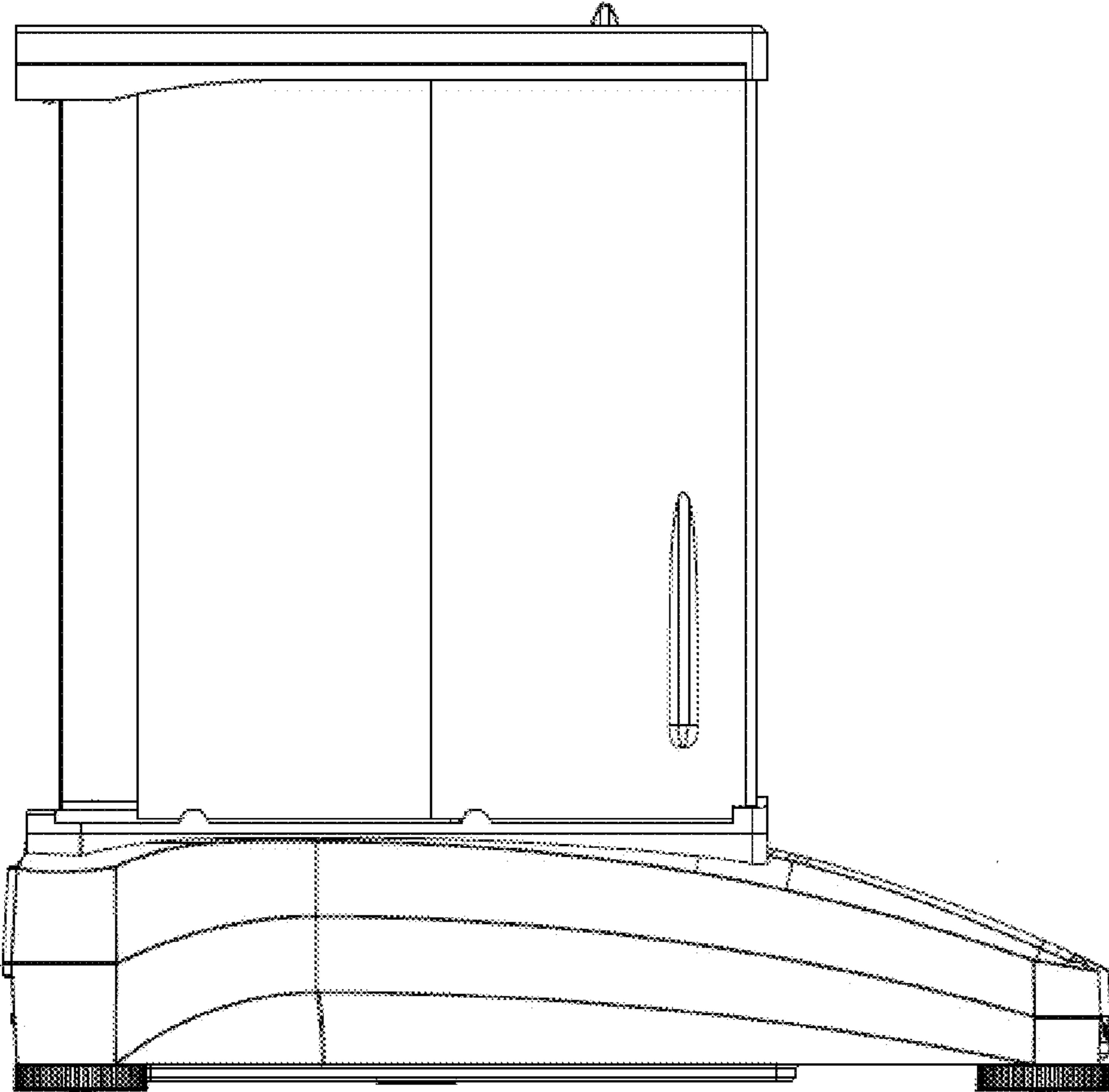


FIG. 2

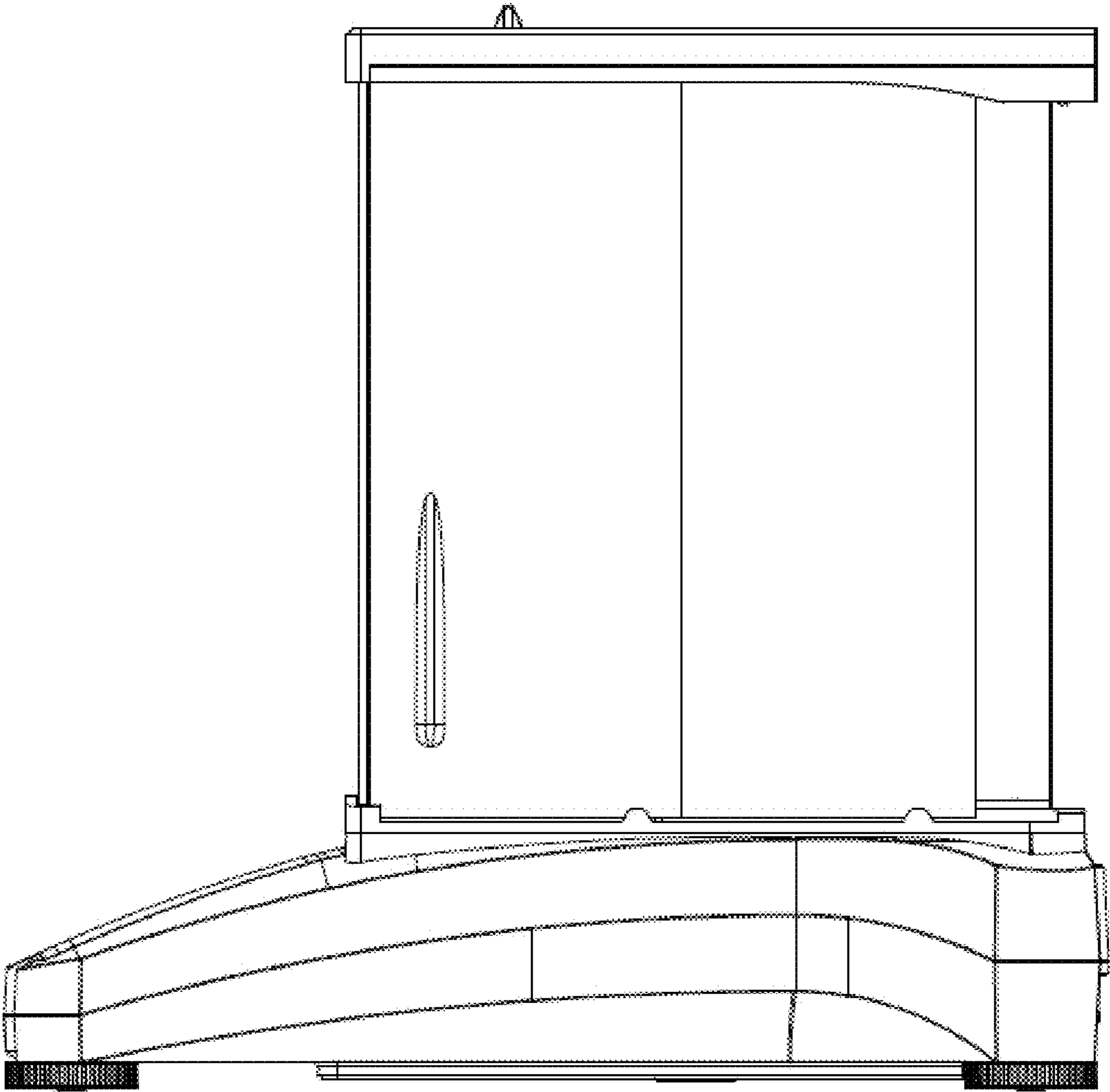


FIG. 3

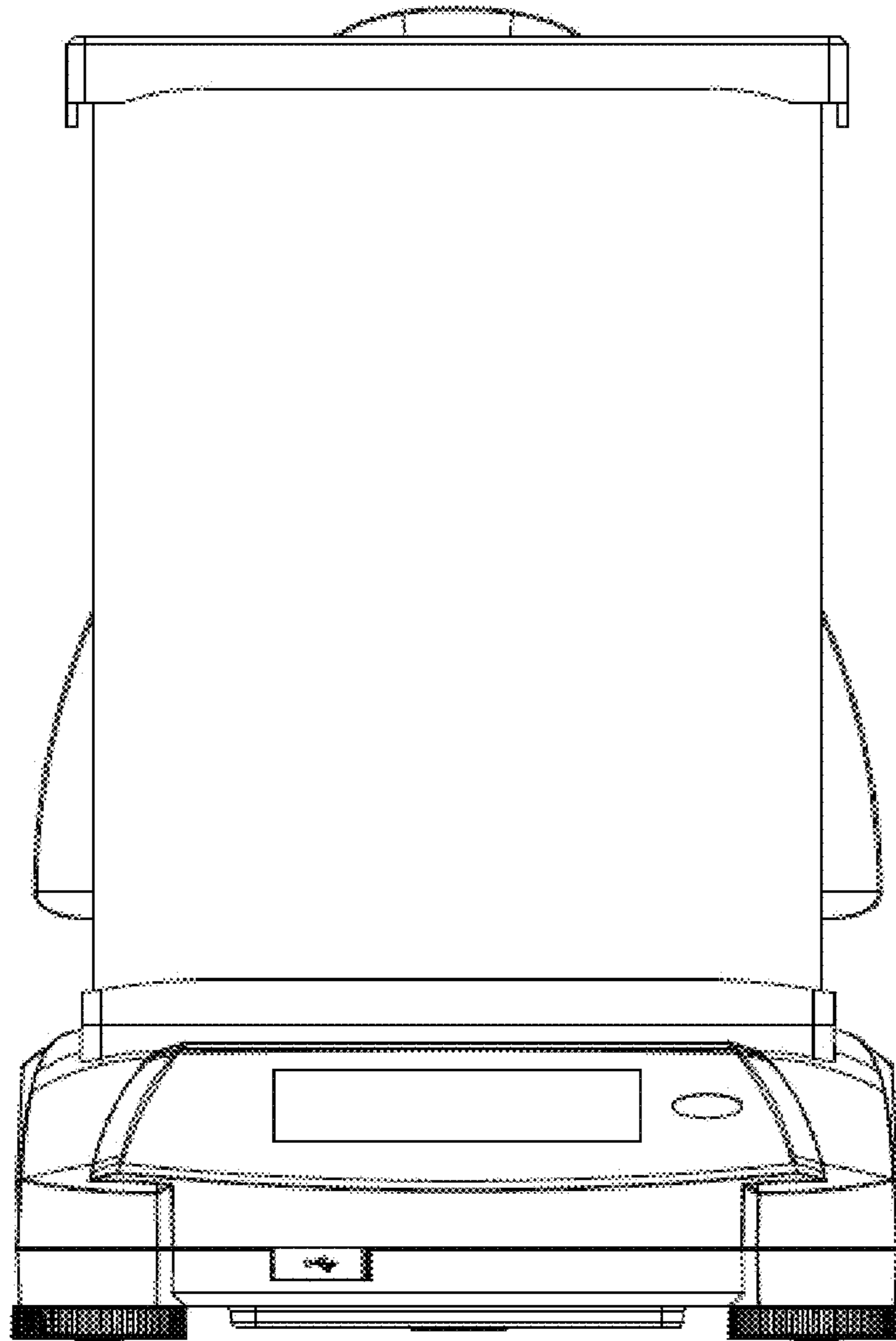


FIG. 4

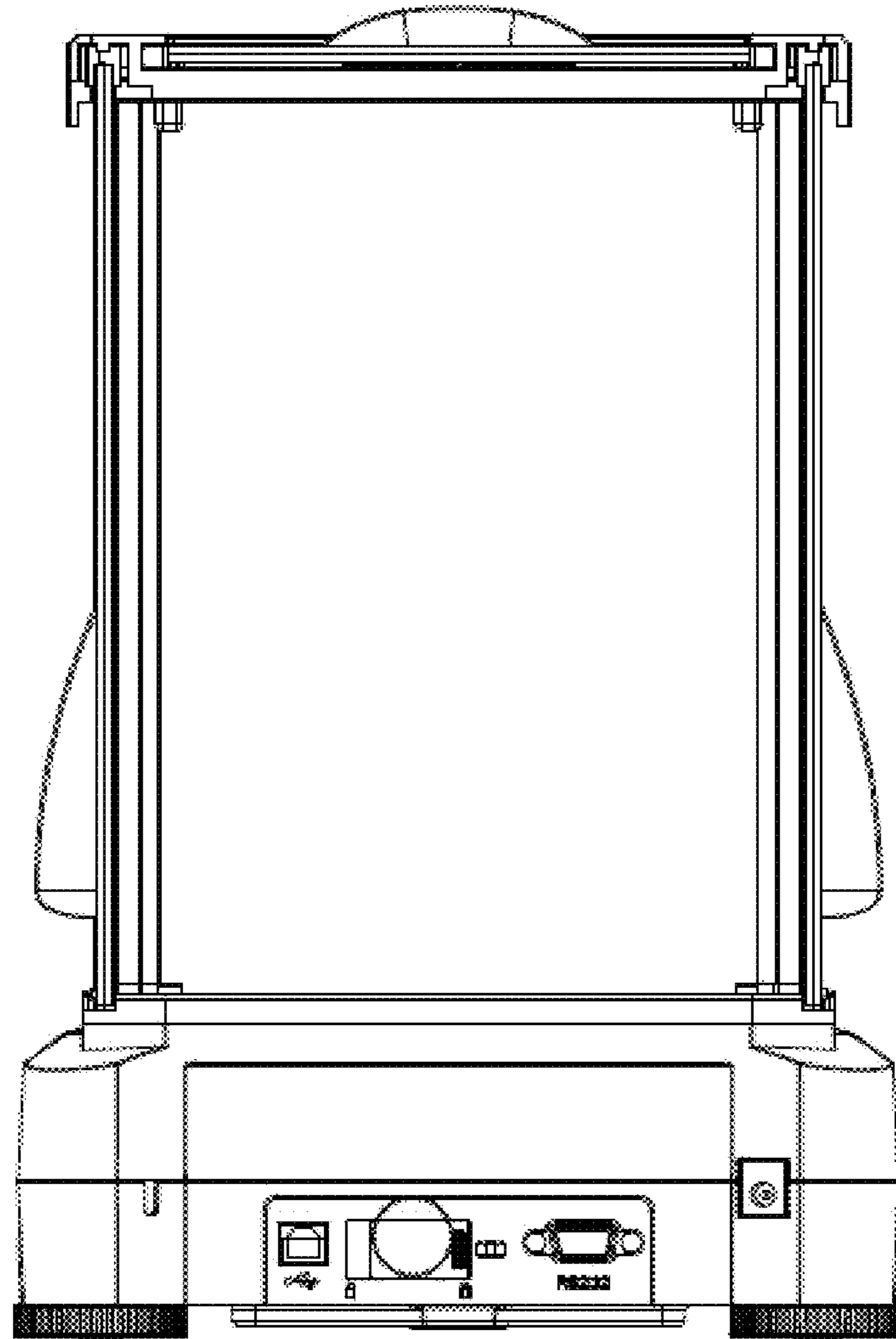


FIG. 5

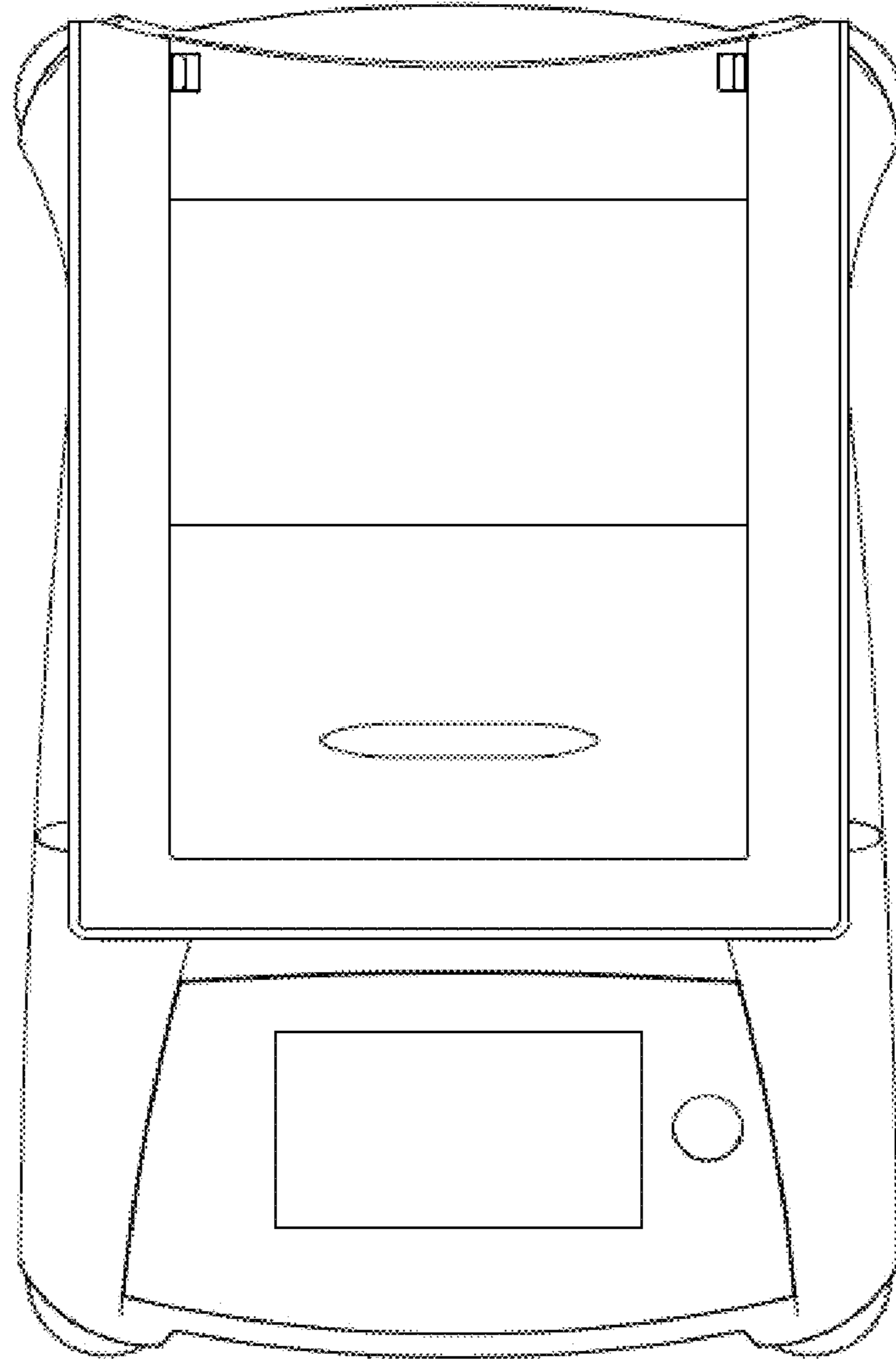


FIG. 6

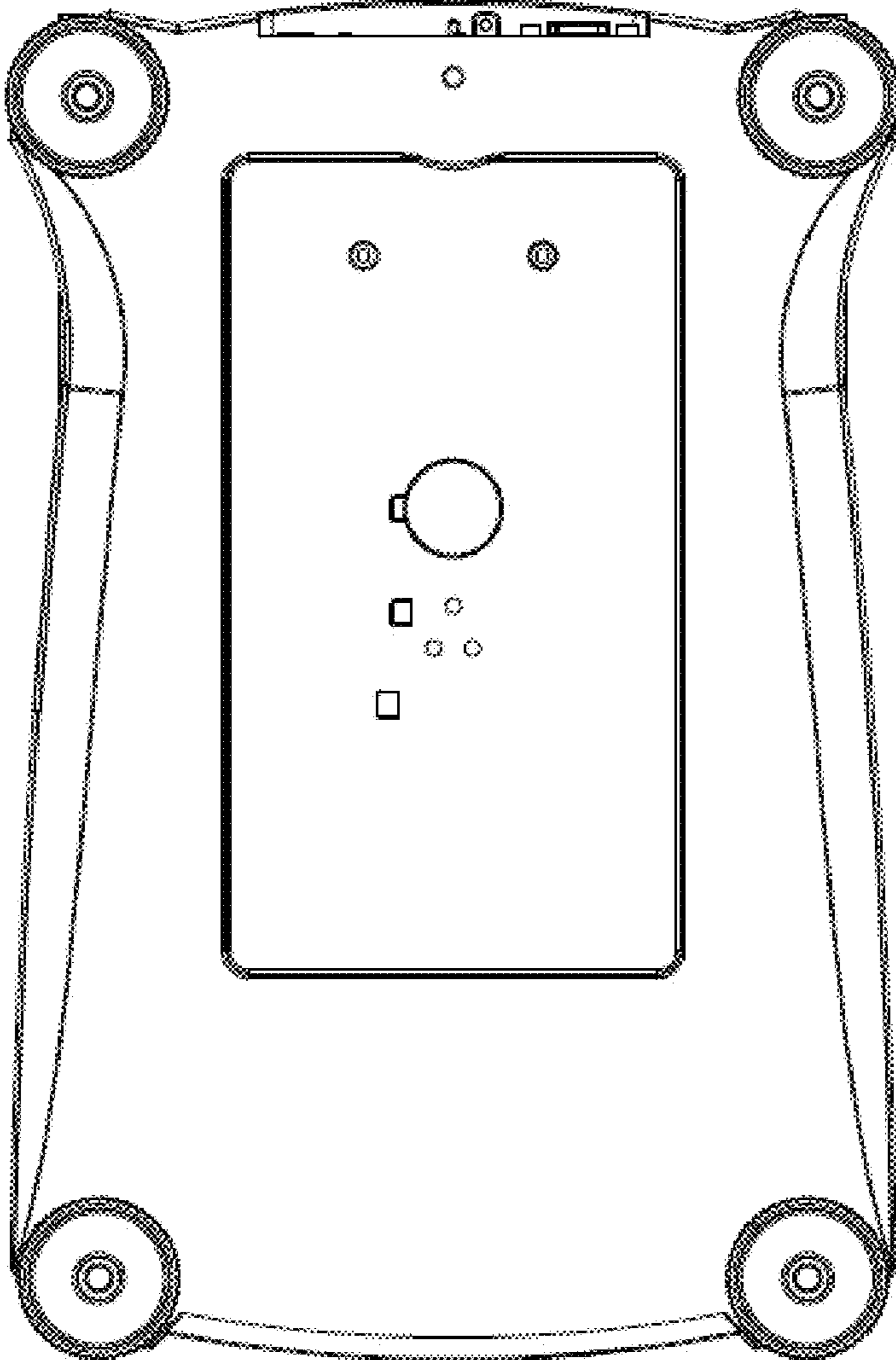


FIG. 7