



US00D727766S

(12) **United States Design Patent**  
**Wu et al.**

(10) **Patent No.:** **US D727,766 S**  
(45) **Date of Patent:** **\*\* Apr. 28, 2015**

(54) **WEIGHING INSTRUMENT**

(71) Applicant: **Ohaus Instruments (Shanghai) Co., Ltd.**, Shanghai (CN)

(72) Inventors: **Jian Wu**, Shanghai (CN); **Huawei Zhang**, Shanghai (CN)

(73) Assignee: **Ohaus Instruments (Shanghai) Co., Ltd.**, Shanghai (CN)

(\*\*) Term: **14 Years**

(21) Appl. No.: **29/491,875**

(22) Filed: **May 27, 2014**

(30) **Foreign Application Priority Data**

Nov. 29, 2013 (CN) ..... 2013 3 0589450

(51) **LOC (10) Cl.** ..... **10-04**

(52) **U.S. Cl.**  
USPC ..... **D10/91**

(58) **Field of Classification Search**

CPC .... A61B 5/053; A61B 5/4872; A61B 5/0537;  
A61B 5/4869; A61B 5/6825; A61B 5/6829;  
A61B 5/7445; G01G 1/00-1/42; G01G  
3/00-3/18; G01G 5/00-5/06; G01G  
7/00-7/06; G01G 9/00; G01G 9/0005; G01G  
11/00

USPC ..... D10/87-94

See application file for complete search history.

(56) **References Cited**

U.S. PATENT DOCUMENTS

D458,553 S \* 6/2002 Dwertmann ..... D10/91  
D670,184 S 11/2012 Pobocho et al.  
D670,185 S 11/2012 Pobocho et al.  
D670,590 S 11/2012 Pobocho et al.  
D705,683 S \* 5/2014 Lauer ..... D10/91

\* cited by examiner

*Primary Examiner* — Antoine D Davis

(74) *Attorney, Agent, or Firm* — Standley Law Group LLP

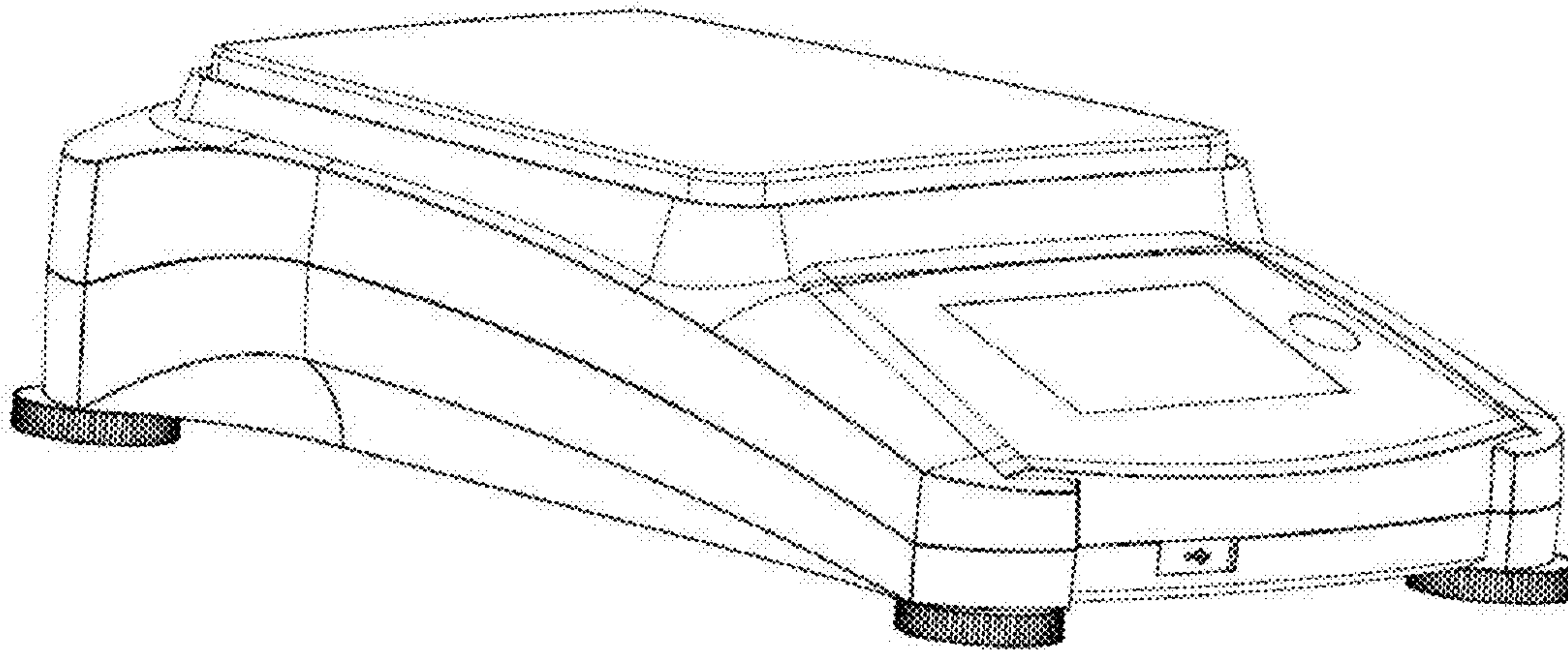
(57) **CLAIM**

The ornamental design for a weighing instrument, as shown and described.

**DESCRIPTION**

FIG. 1 is a front perspective view of the weighing instrument; FIG. 2 is a right side elevation view of the FIG. 1 device; FIG. 3 is a left side elevation view of the FIG. 1 device; FIG. 4 is a front elevation view of the FIG. 1 device; FIG. 5 is a rear elevation view of the FIG. 1 device; FIG. 6 is a top plan view of the FIG. 1 device; and, FIG. 7 is a bottom plan view of the FIG. 1 device.

**1 Claim, 4 Drawing Sheets**



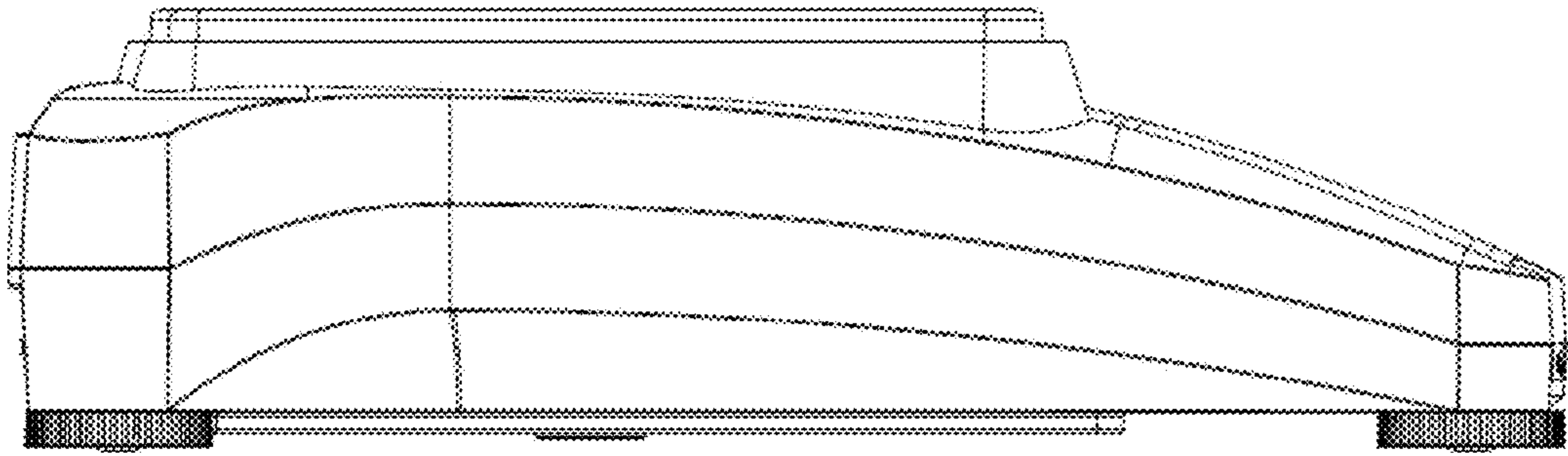


FIG. 2

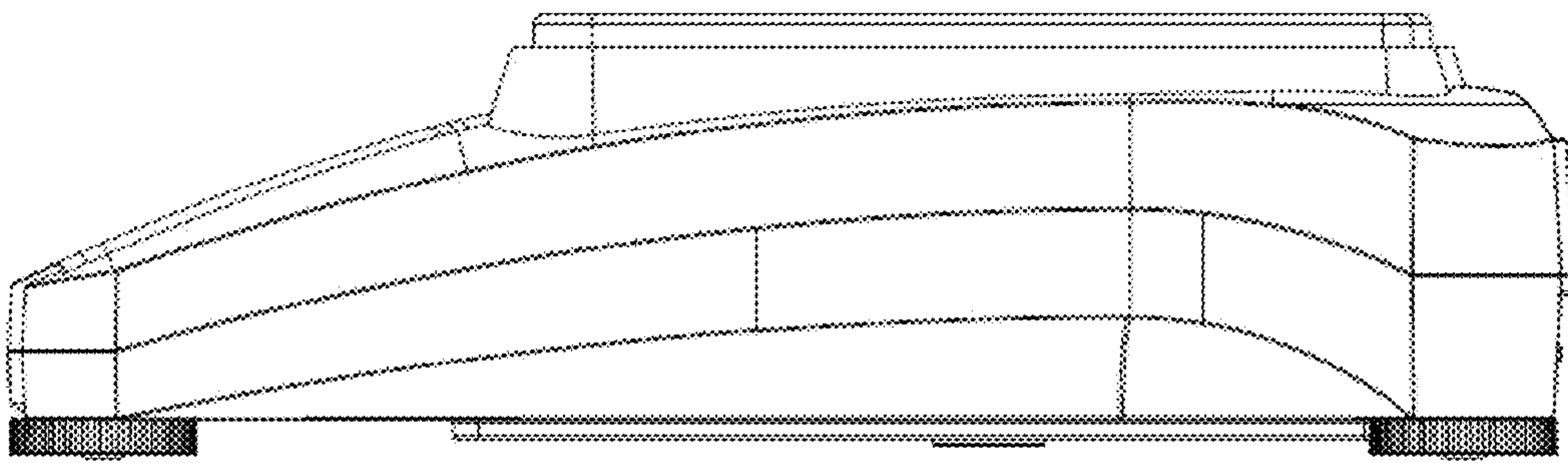


FIG. 3

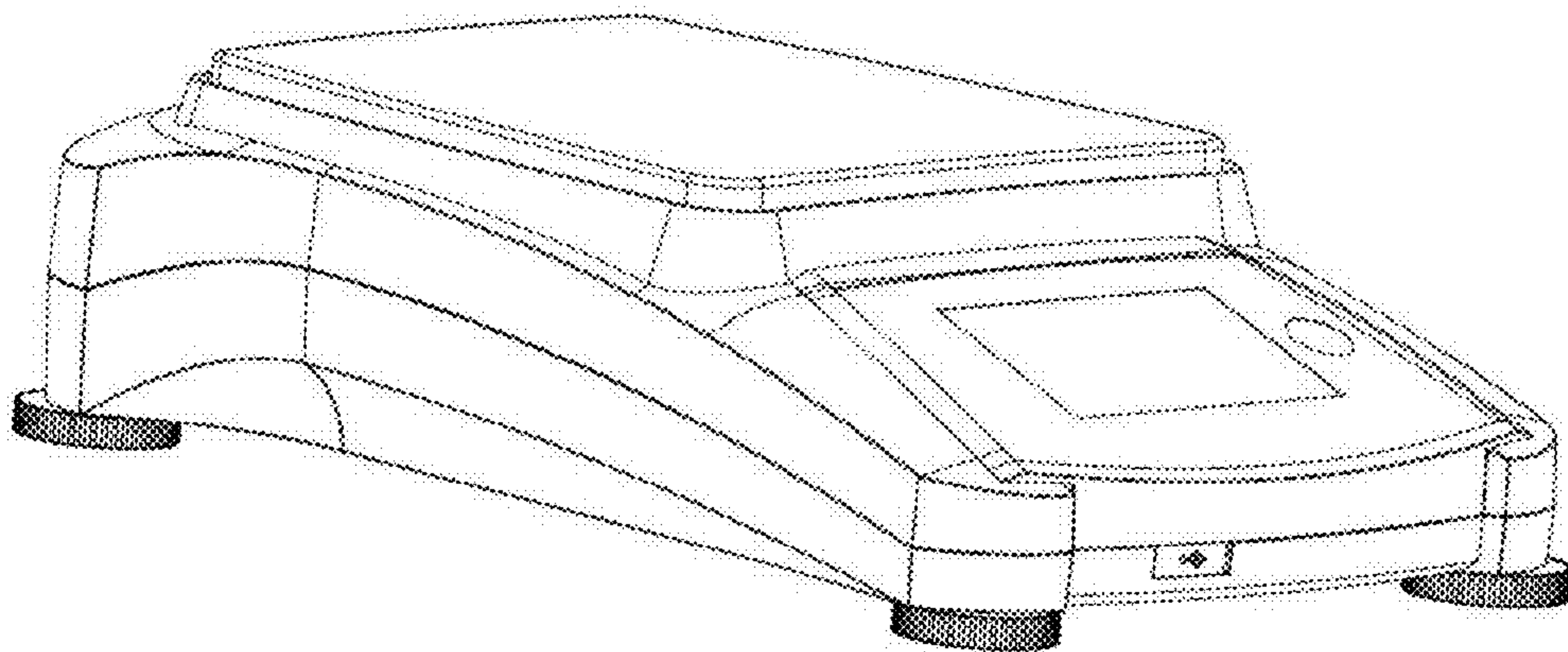


FIG. 1



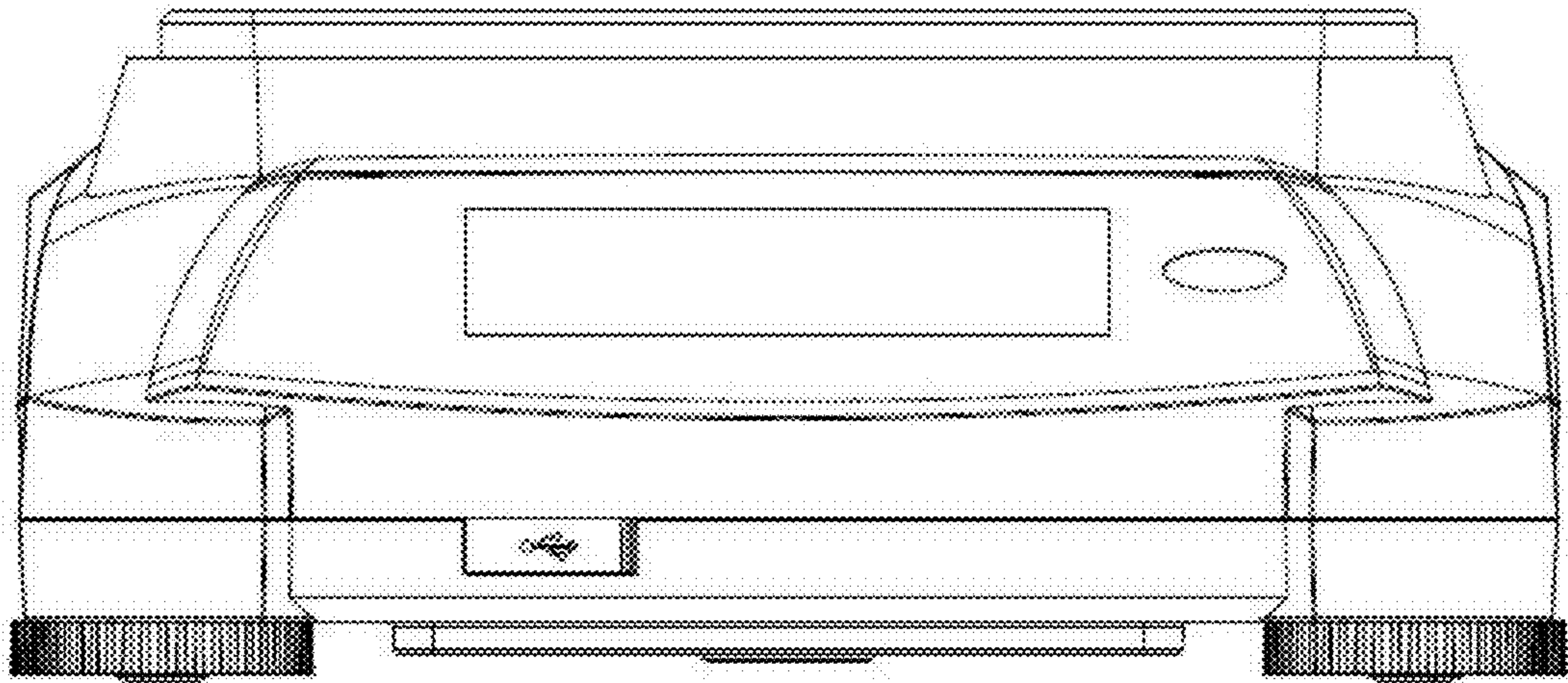


FIG. 4

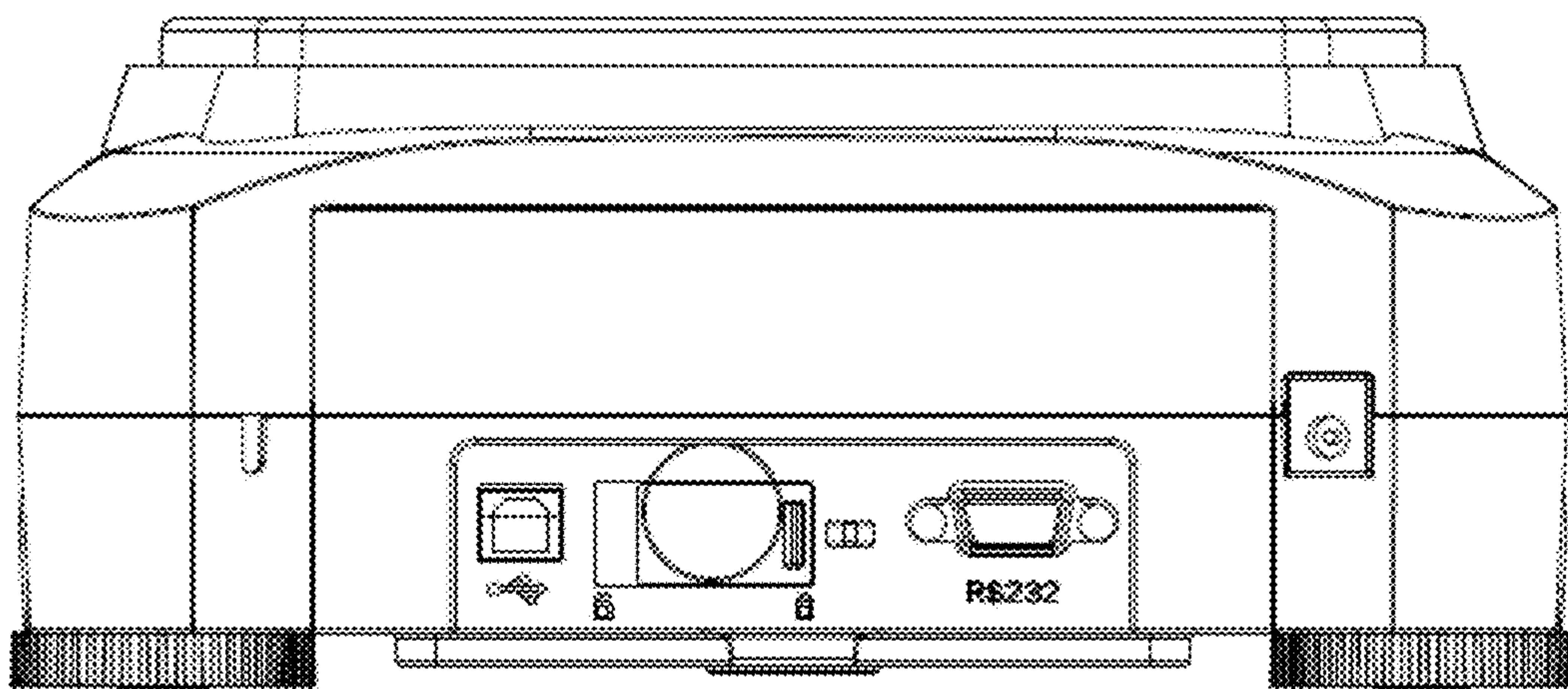


FIG. 5

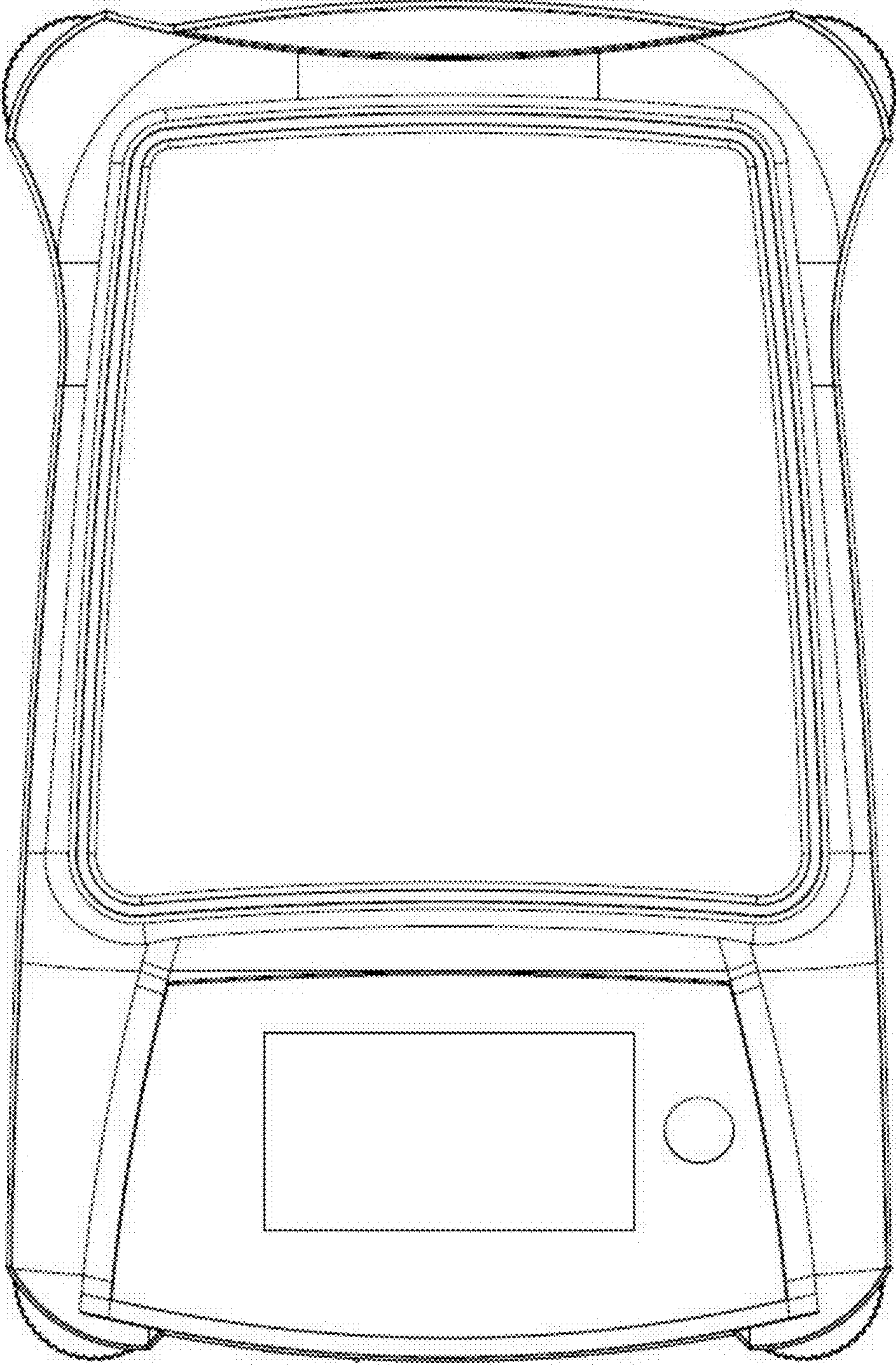


FIG. 6



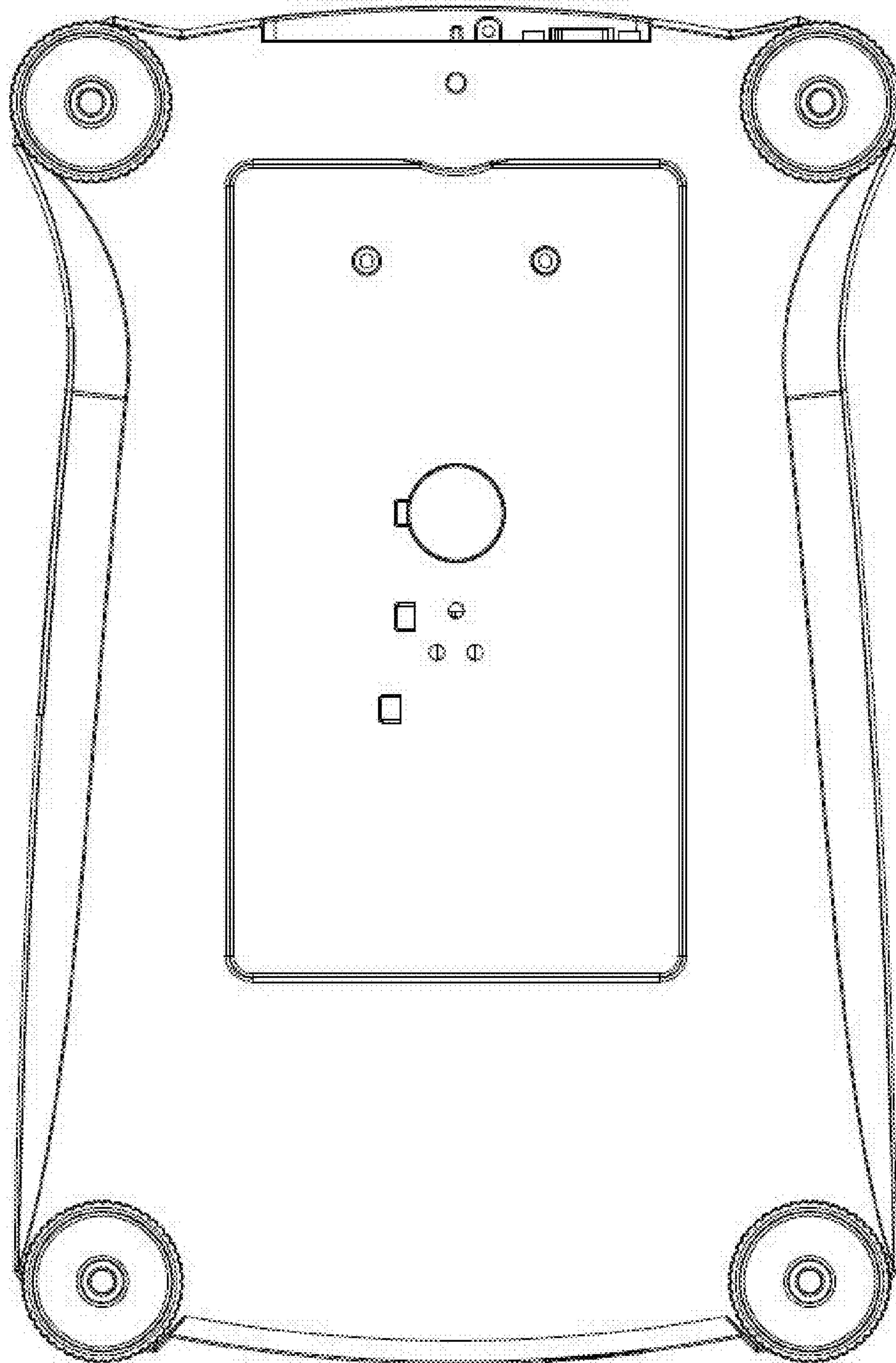


FIG. 7