



US00D727760S

(12) **United States Design Patent**
Matsumiya et al.

(10) **Patent No.:** **US D727,760 S**
(45) **Date of Patent:** **** Apr. 28, 2015**

(54) **HEIGHT GAUGE**

(71) Applicant: **Mitutoyo Corporation**, Kawasaki,
Kanagawa (JP)
(72) Inventors: **Sadayuki Matsumiya**, Kawasaki (JP);
Shigeru Ohtani, Kawasaki (JP); **Yu**
Sugai, Kawasaki (JP); **Kazuhiko**
Kimura, Utsunomiya (JP); **Takashi**
Gohma, Utsunomiya (JP); **Yoshifumi**
Saito, Utsunomiya (JP)
(73) Assignee: **Mitutoyo Corporation**, Kawasaki (JP)
(**) Term: **14 Years**

(21) Appl. No.: **29/501,712**

(22) Filed: **Sep. 8, 2014**

(30) **Foreign Application Priority Data**

Mar. 28, 2014 (JP) 2014-006762

(51) **LOC (10) Cl.** **10-04**

(52) **U.S. Cl.**
USPC **D10/70**

(58) **Field of Classification Search**
CPC G01B 7/02; G01B 7/004; G01B 7/102;
G01B 7/082; G01B 5/008; G01B 5/061;
G01B 5/02; G01B 5/08; G01B 5/12; G06F
17/40
USPC D10/70
See application file for complete search history.

(56) **References Cited**

U.S. PATENT DOCUMENTS

6,401,352	B1 *	6/2002	Kimura et al.	33/832
6,446,351	B1 *	9/2002	Zhang et al.	33/832
7,263,786	B1 *	9/2007	Zanier	33/832
2003/0106232	A1 *	6/2003	Jordil et al.	33/832
2003/0106233	A1 *	6/2003	Jordil et al.	33/832
2010/0287786	A1 *	11/2010	Biselx	33/832

* cited by examiner

Primary Examiner — Antoine D Davis

(74) *Attorney, Agent, or Firm* — Oliff PLC

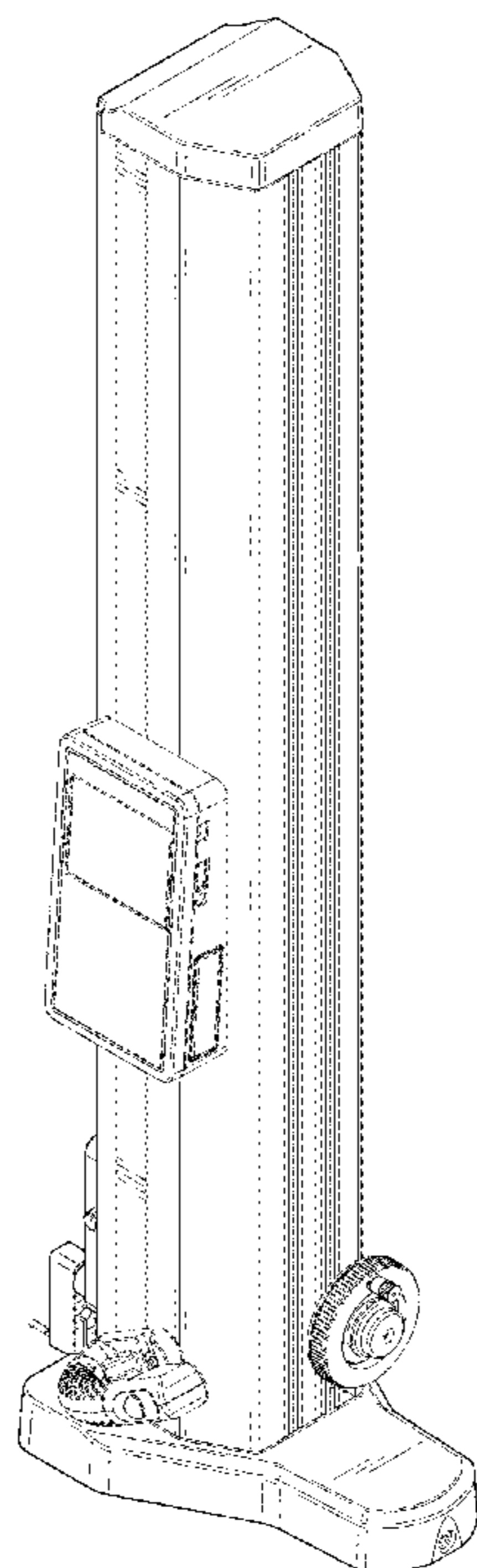
(57) **CLAIM**

The ornamental design for a height gauge, as shown and described.

DESCRIPTION

FIG. 1 is a front, right-side, top perspective view of the height gauge;
FIG. 2 is a front elevational view thereof;
FIG. 3 is a top plan view thereof;
FIG. 4 is a left-side elevational view thereof;
FIG. 5 is a right-side elevational view thereof;
FIG. 6 is a rear elevational view thereof;
FIG. 7 is a bottom plan view thereof;
FIG. 8 is a rear, right-side, top perspective view; and,
FIG. 9 is an enlarged view of the area 9 in FIG. 8.
The broken lines immediately adjacent the shaded surfaces represent boundaries of the claimed subject matter, and the remaining broken lines depict environmental subject matter. The broken lines form no part of the claimed design.

1 Claim, 5 Drawing Sheets



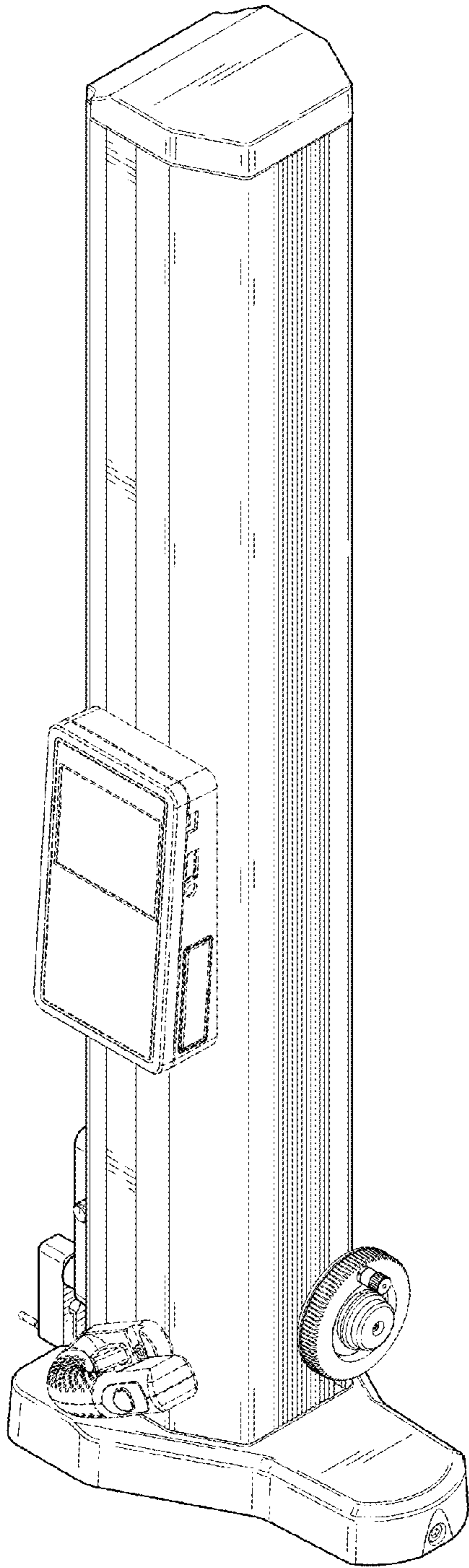


FIG. 1

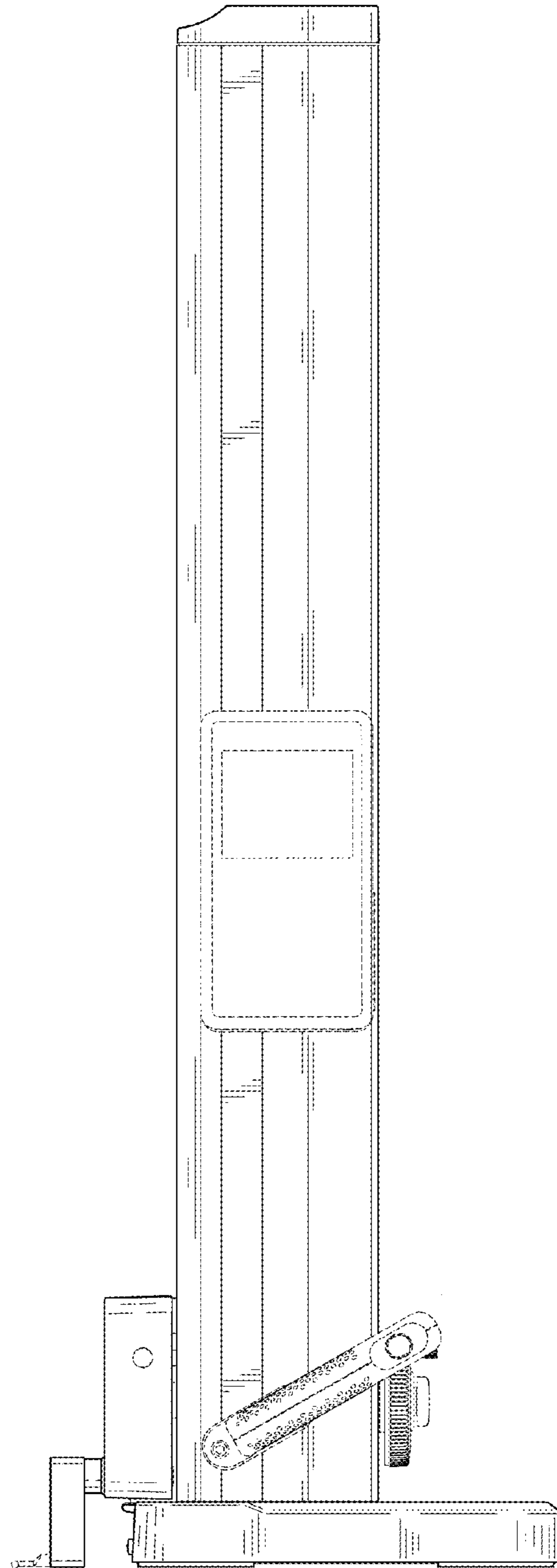


FIG. 2

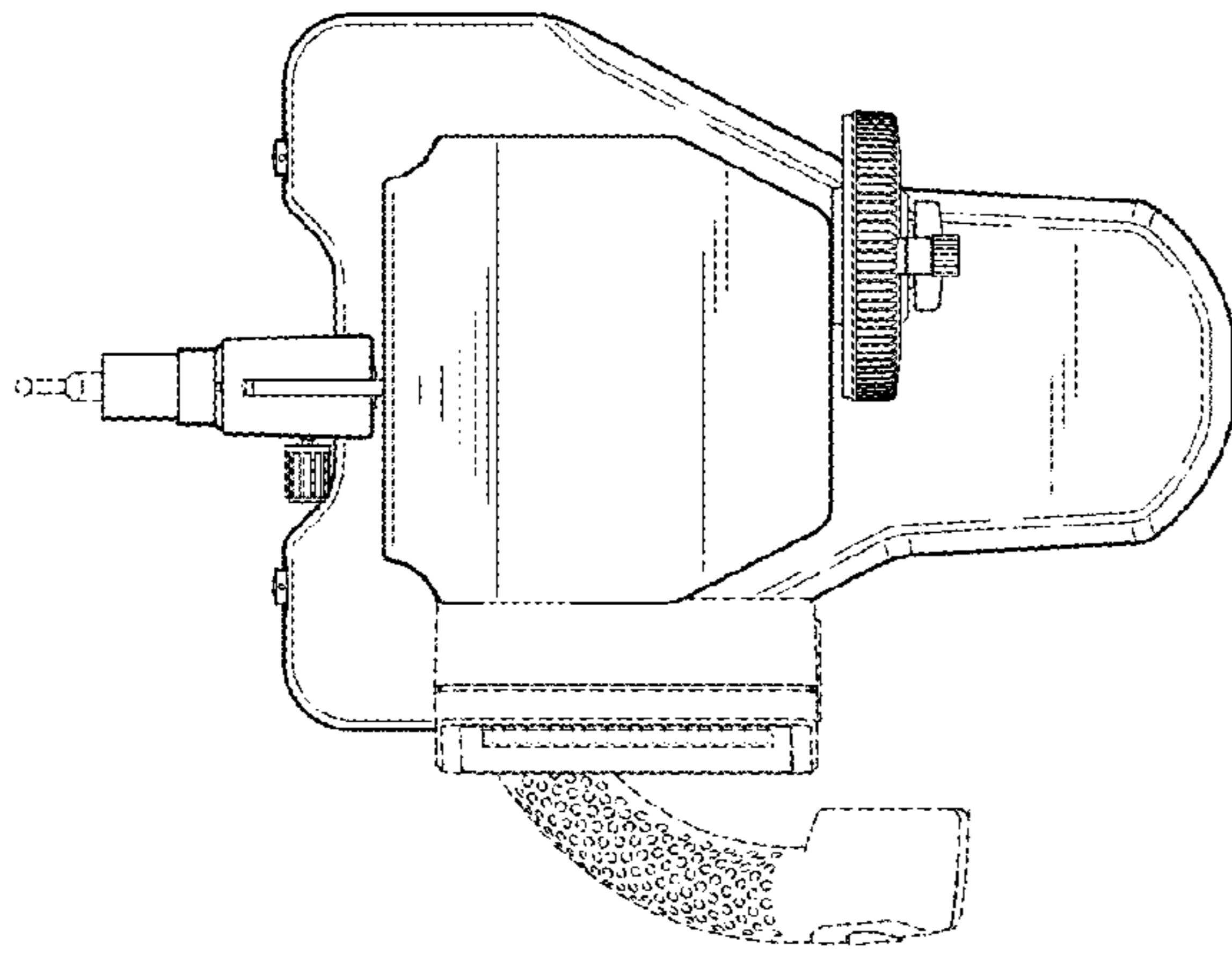


FIG. 3

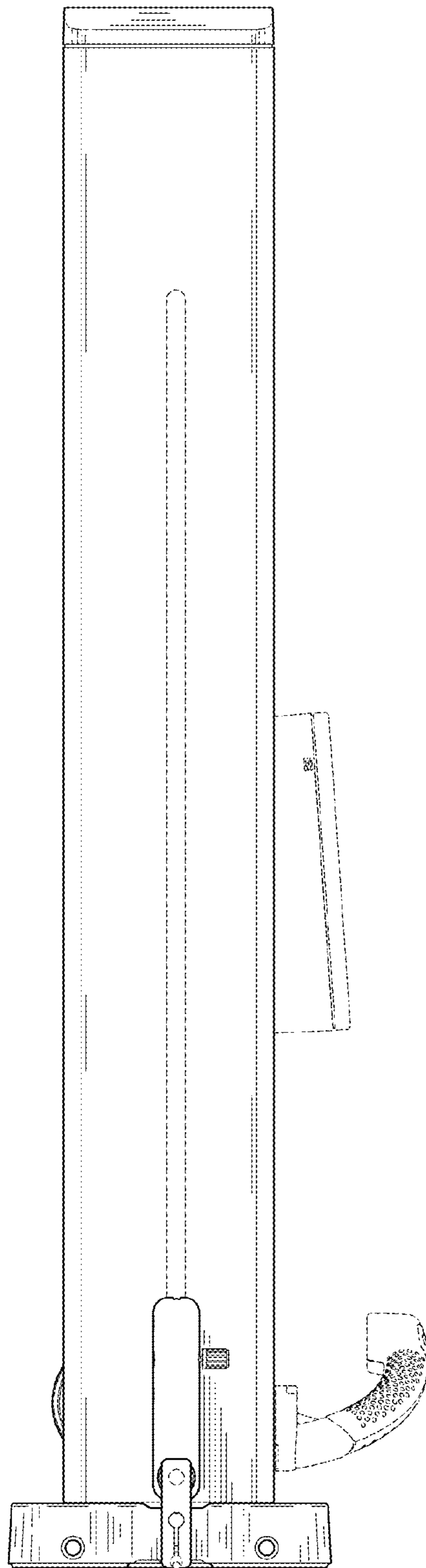


FIG. 4

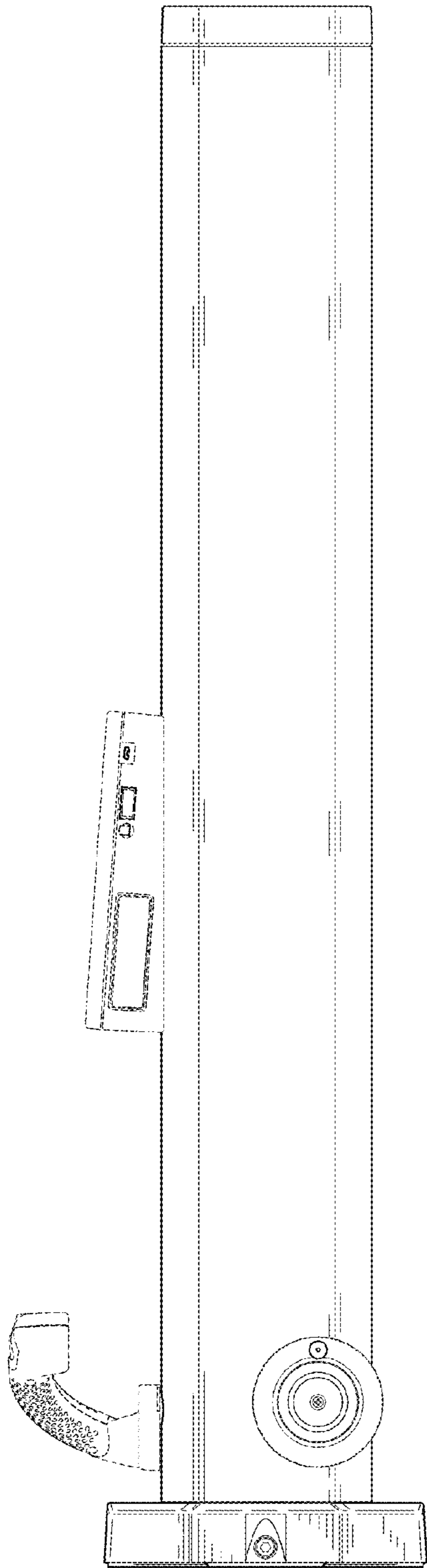


FIG. 5

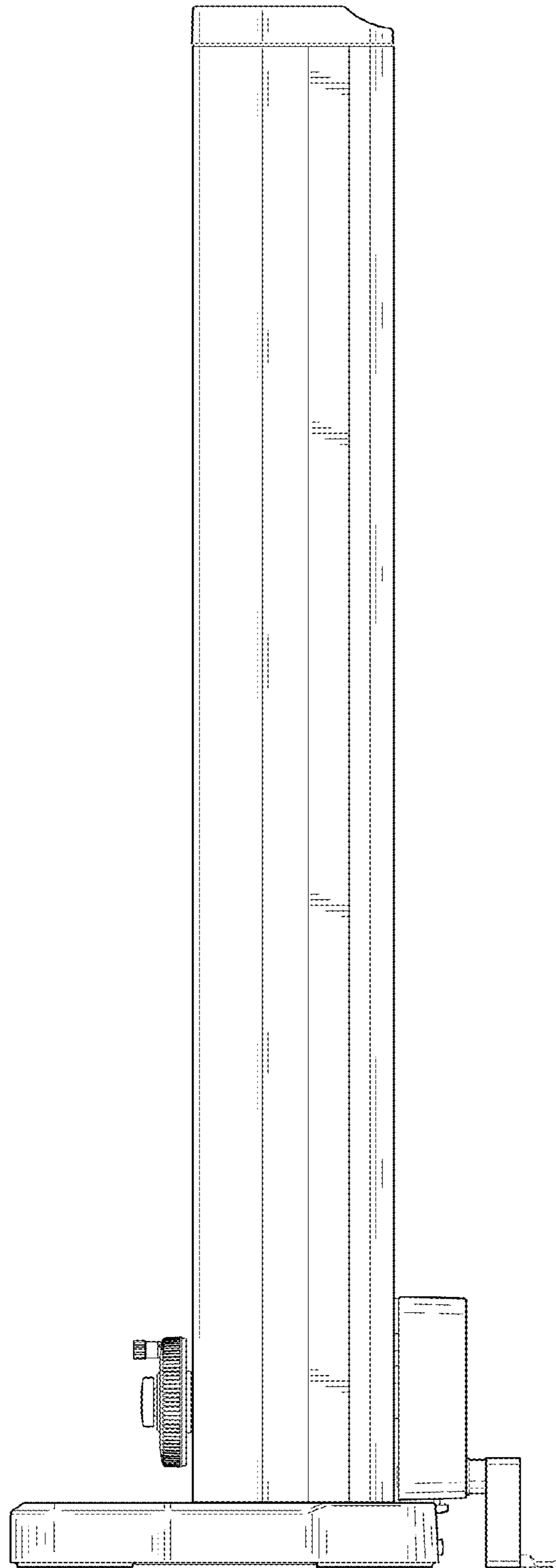


FIG. 6

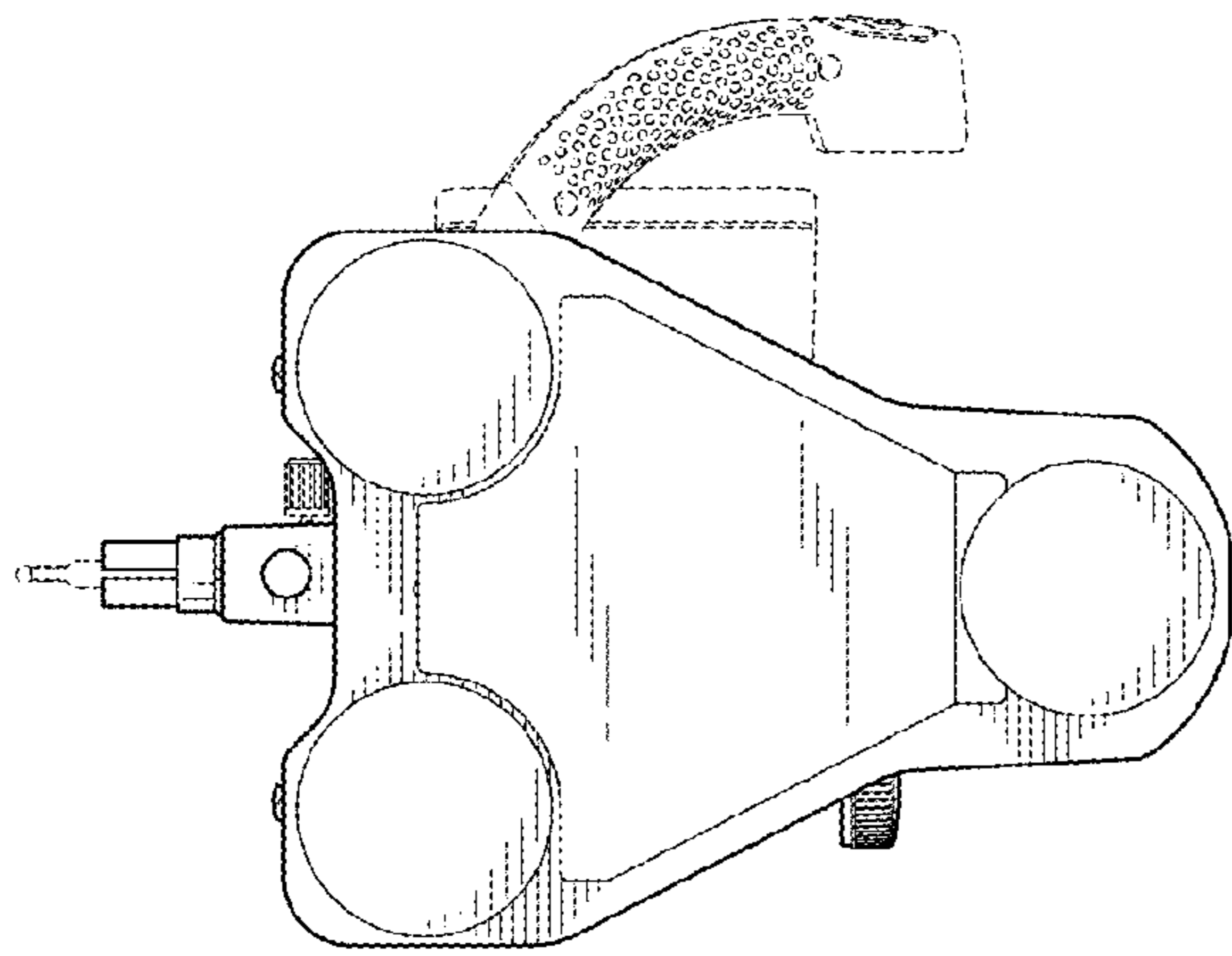


FIG. 7

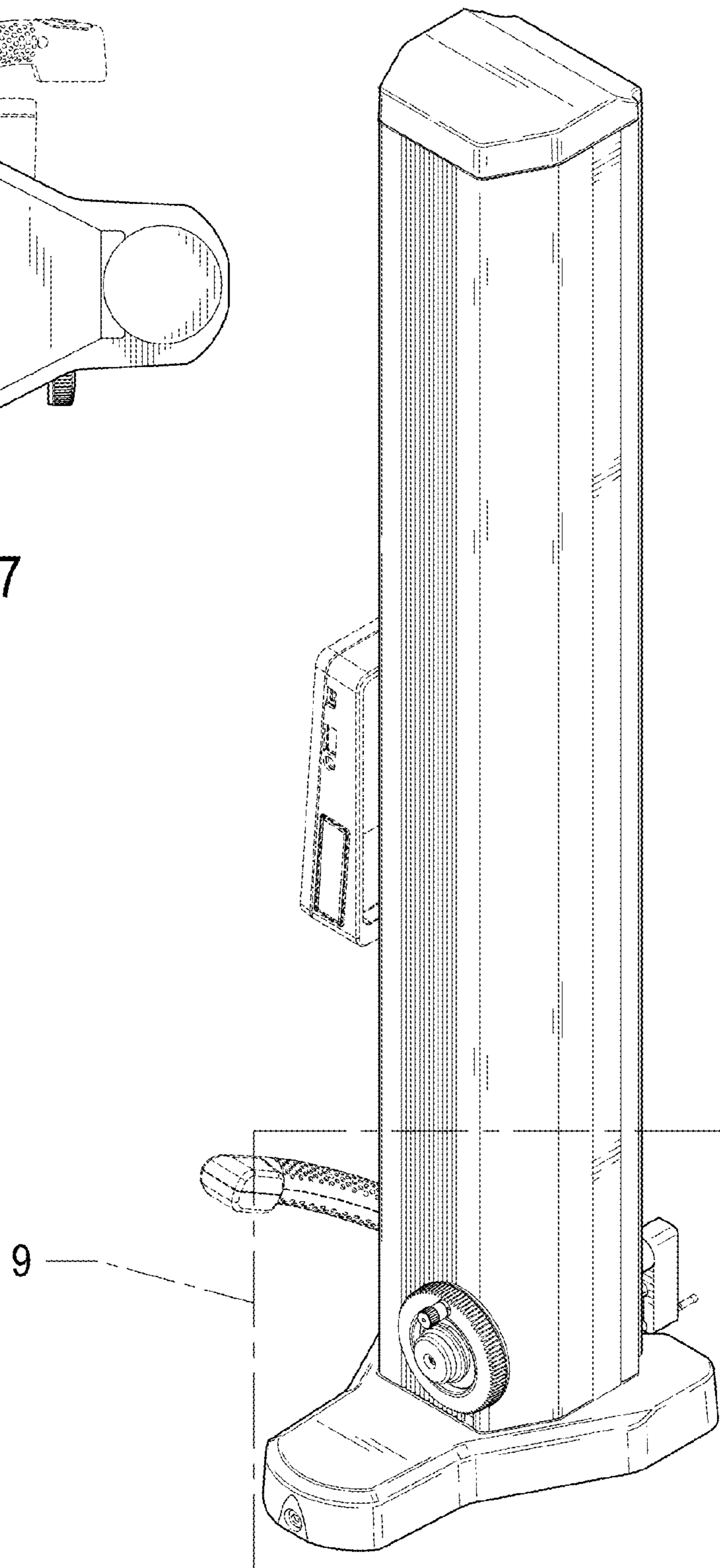


FIG. 8

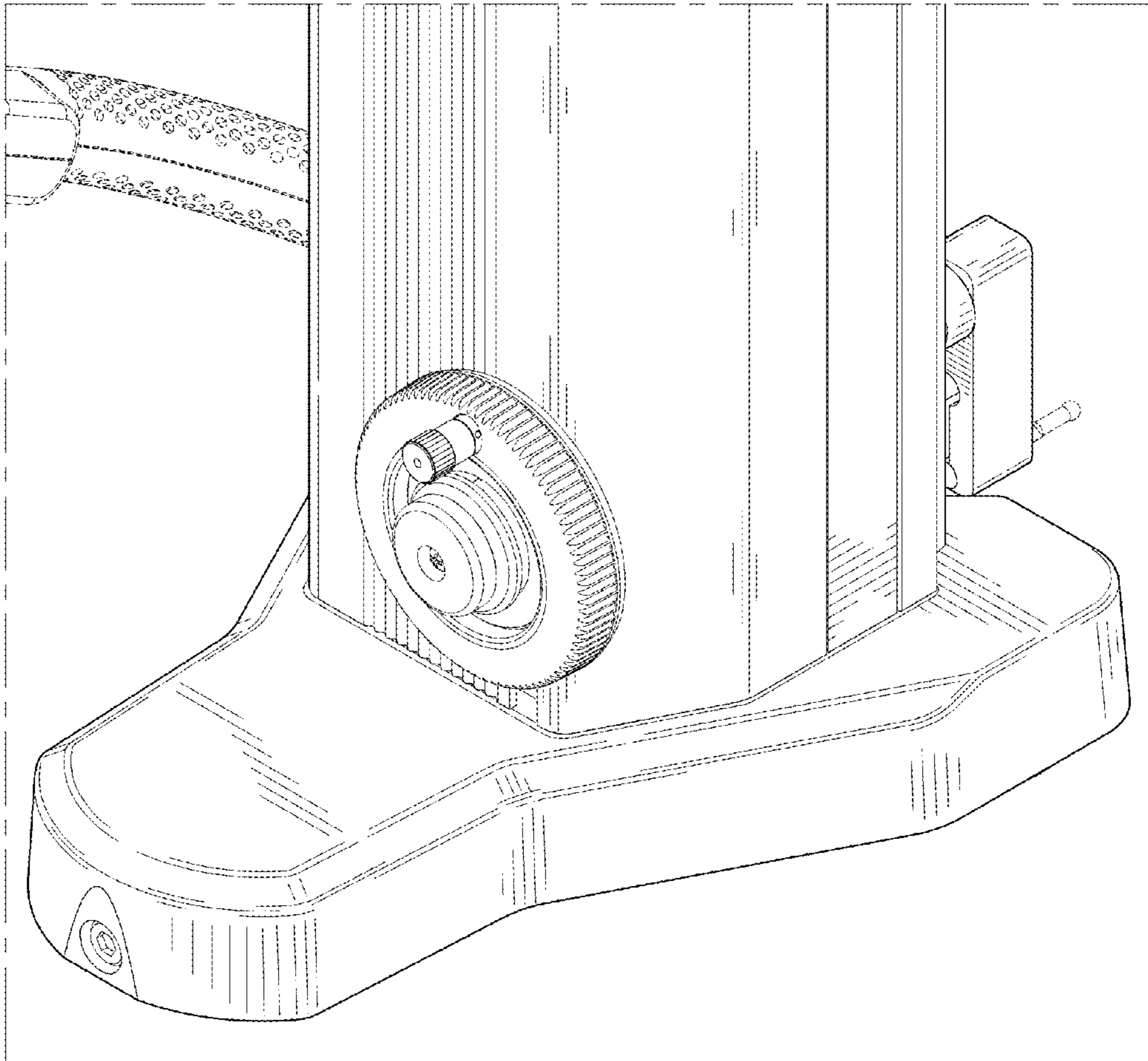


FIG. 9