



US00D727758S

(12) **United States Design Patent**
Sharifi

(10) **Patent No.:** **US D727,758 S**
(45) **Date of Patent:** **** Apr. 28, 2015**

- (54) **MEDIATION DEVICE**
- (71) Applicant: **Bahram Sharifi**, Lake Forest, CA (US)
- (72) Inventor: **Bahram Sharifi**, Lake Forest, CA (US)
- (73) Assignee: **Spireon, Inc.**, Knoxville, TN (US)
- (**) Term: **14 Years**
- (21) Appl. No.: **29/462,847**
- (22) Filed: **Aug. 9, 2013**
- (51) **LOC (10) Cl.** **10-04**
- (52) **U.S. Cl.**
USPC **D10/65; D10/70**
- (58) **Field of Classification Search**
CPC G08G 1/096883; G08G 1/096872;
G08G 1/096775; G01C 21/16; G01C 21/3688;
G01C 21/30; G01C 21/265; G01C 21/26;
G01C 21/00; G01C 21/3632; G01C 21/3617;
G01C 25/005; G01C 21/3664; G01P 3/22;
G01P 3/50; G01P 15/18; G06F 3/04
USPC D10/65, 70, 75, 78, 104.1,
D10/106.1–106.8; D14/138 R, 138 AA,
D14/138 AB, 138 AC, 138 AD, 341–347,
D14/507–510, 136, 167, 168, 496, 498, 499,
D14/500, 125–134, 239, 371, 374–377, 440,
D14/450, 448, 336, 342; 343/702; 345/87,
345/104, 133, 156, 168, 173, 901–905,
345/165; 348/180, 184, 315, 739, 836, 838,
348/325; 364/444, 499; 701/408–418, 431,
701/432, 537, 1, 454, 428, 440, 400, 491,
701/526, 455, 444, 36, 541, 487; 312/7.2;
341/12; 720/605, 669, 600, 655;
369/99, 197; 455/344, 347, 575.1;
250/221, 338.3, 340, 239, 342, 341,
250/DIG. 1, 353, 338.1; 307/116, 117, 9.1,
307/10.1; 340/521, 527, 541, 567, 540,
340/568.2, 539.23, 635, 687, 425.5, 815.4,

340/901, 988, 989, 990, 992, 995.1, 562,
340/815.45; 315/159; 324/72.5, 556, 133,
324/149, 503, 543, 555, 66, 72, 754, 115,
324/141, 522; 73/615, 624, 627, 644,
73/514.33, 514.34, 510, 513, 527, 530;
356/3.01–5.15

See application file for complete search history.

(56) **References Cited**

U.S. PATENT DOCUMENTS

D608,341 S	1/2010	Nakagawa	
D634,763 S	3/2011	Levine	
D644,621 S	9/2011	Abe	
D662,091 S	6/2012	Loponen	
D665,685 S *	8/2012	Okuda	D10/70
D674,386 S	1/2013	Mak	
D693,710 S *	11/2013	Bachel et al.	D10/70

* cited by examiner

Primary Examiner — Antoine D Davis
(74) *Attorney, Agent, or Firm* — Raj Abhyanker, P.C.

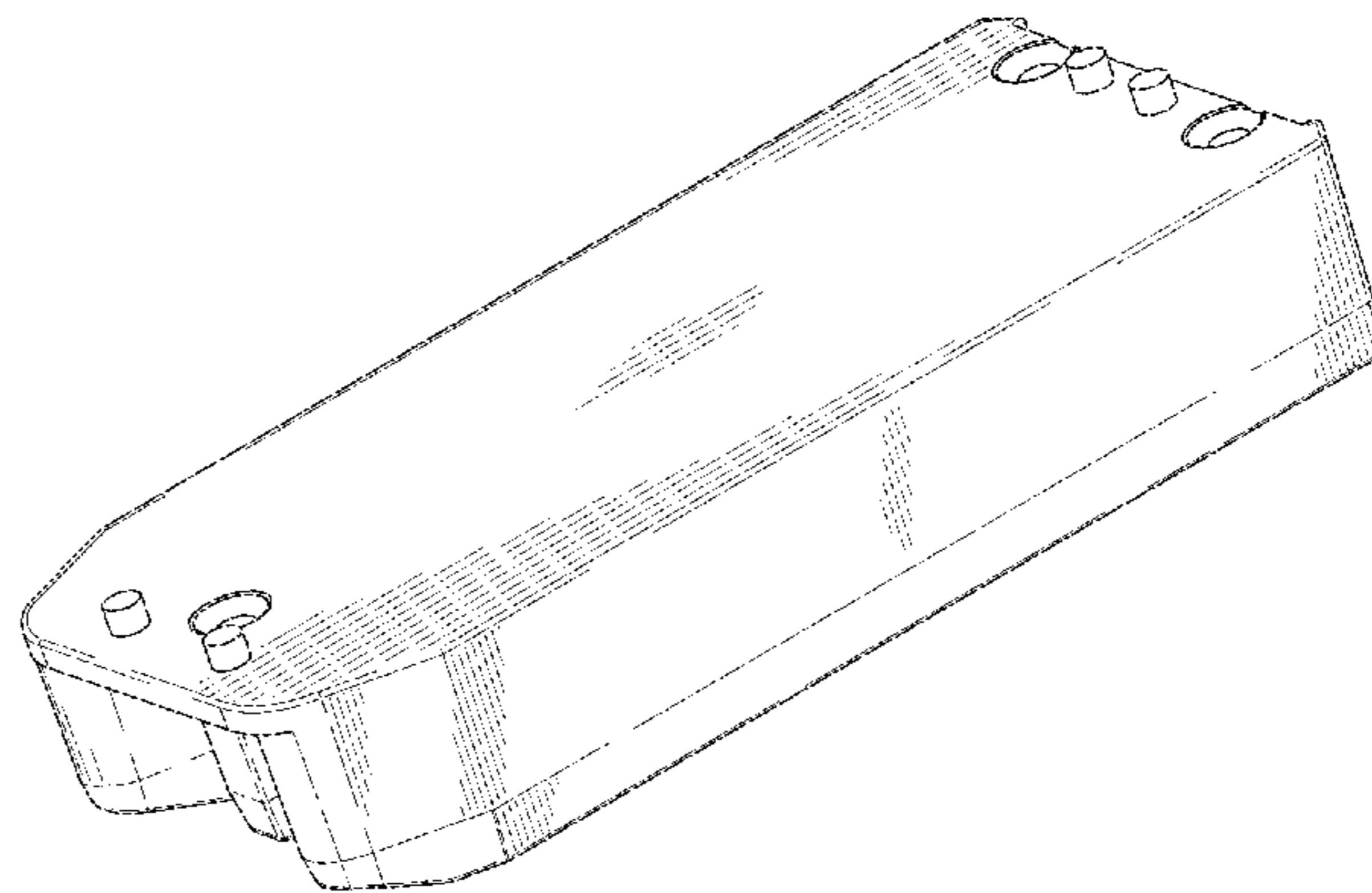
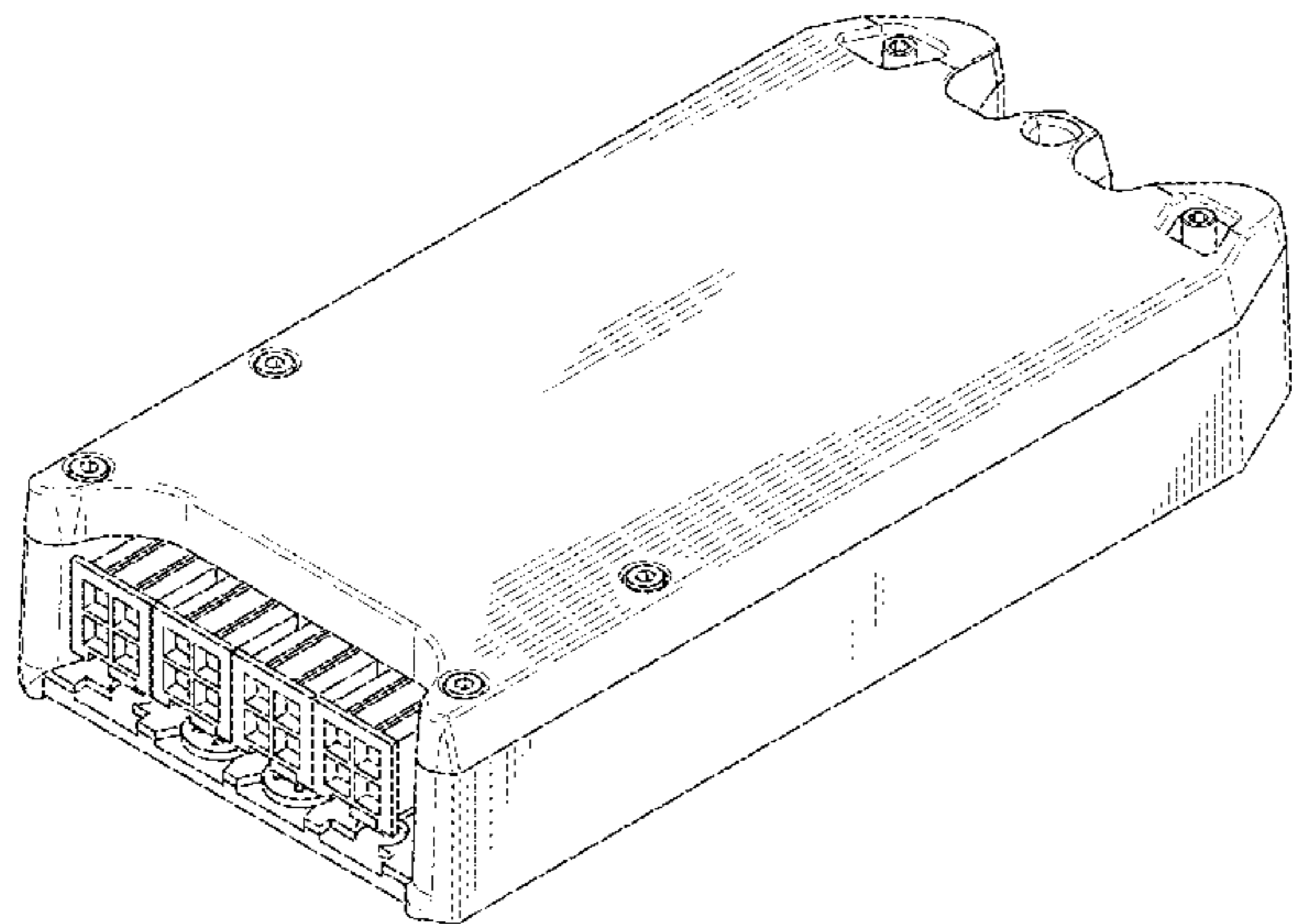
(57) **CLAIM**

The ornamental design for a mediation device, as shown and described.

DESCRIPTION

FIG. 1 is a back perspective view of a mediation device, showing my new design.
FIG. 2 is a front view of the mediation device of FIG. 1;
FIG. 3 is a back view of the mediation device of FIG. 1;
FIG. 4 is a left-side view of the mediation device of FIG. 1;
FIG. 5 is a right-side view of the mediation device of FIG. 1;
FIG. 6 is a top view of the mediation device of FIG. 1;
FIG. 7 is a bottom view of the mediation device of FIG. 1; and,
FIG. 8 is a front perspective view of the mediation device of FIG. 1.

1 Claim, 6 Drawing Sheets



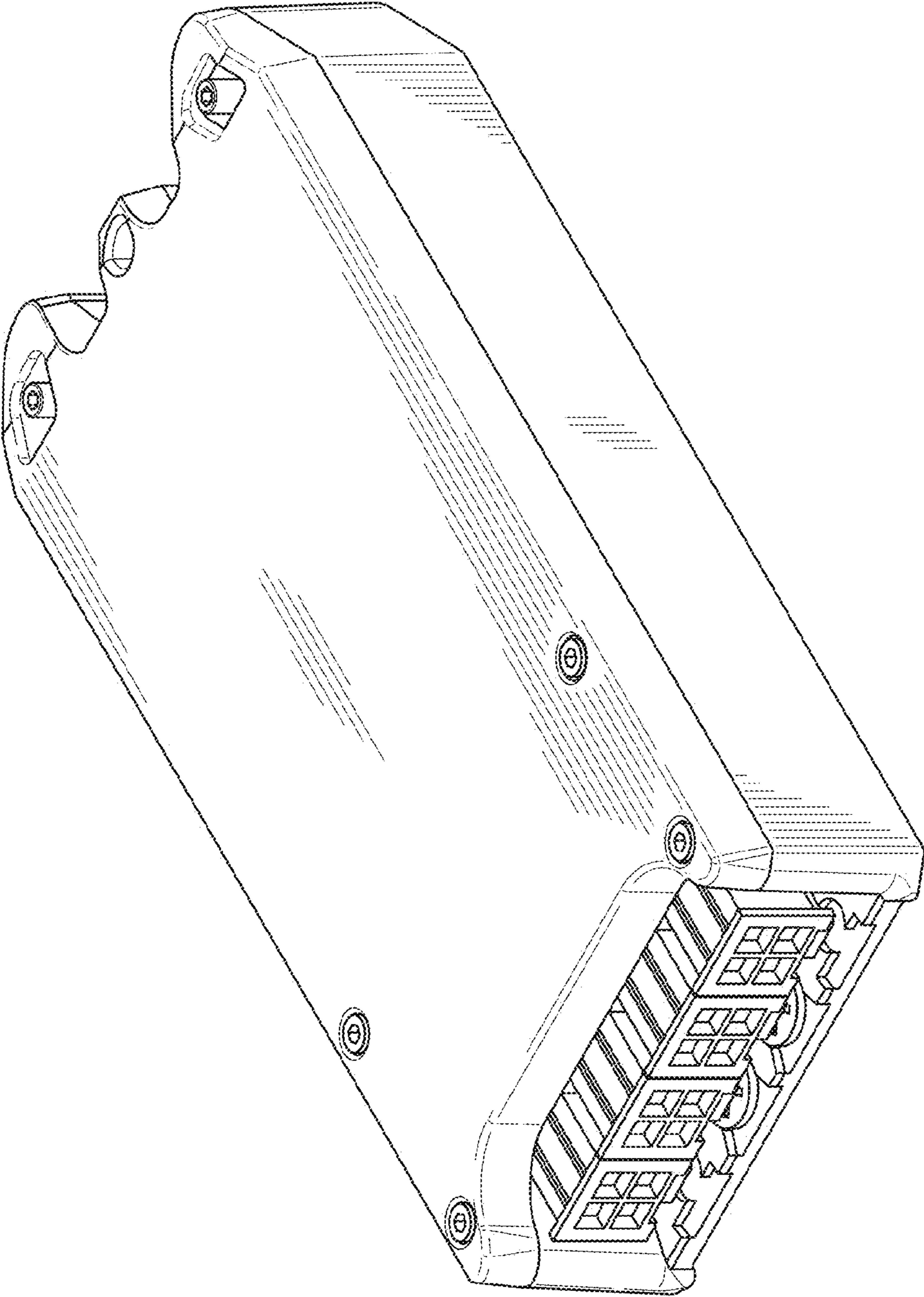


FIG. 1

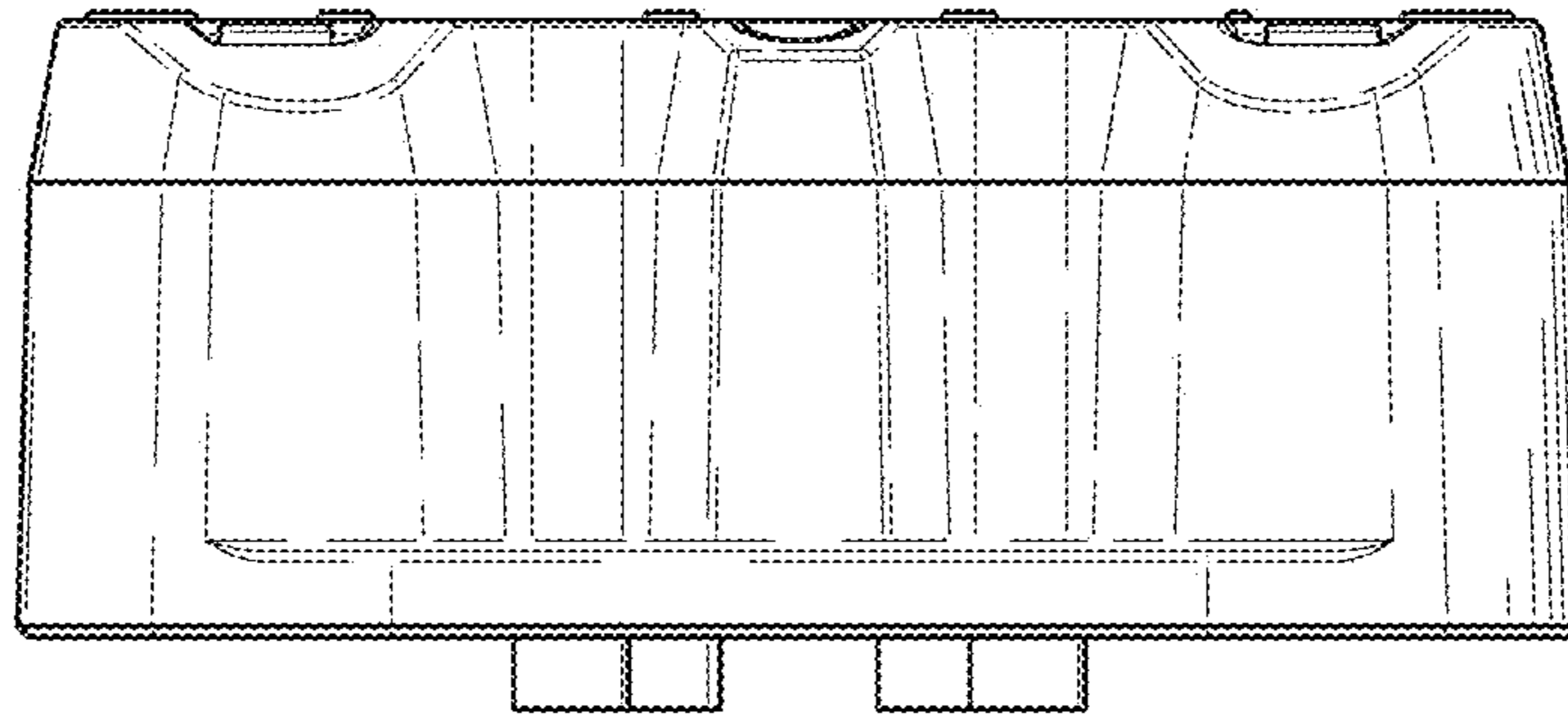


FIG. 2

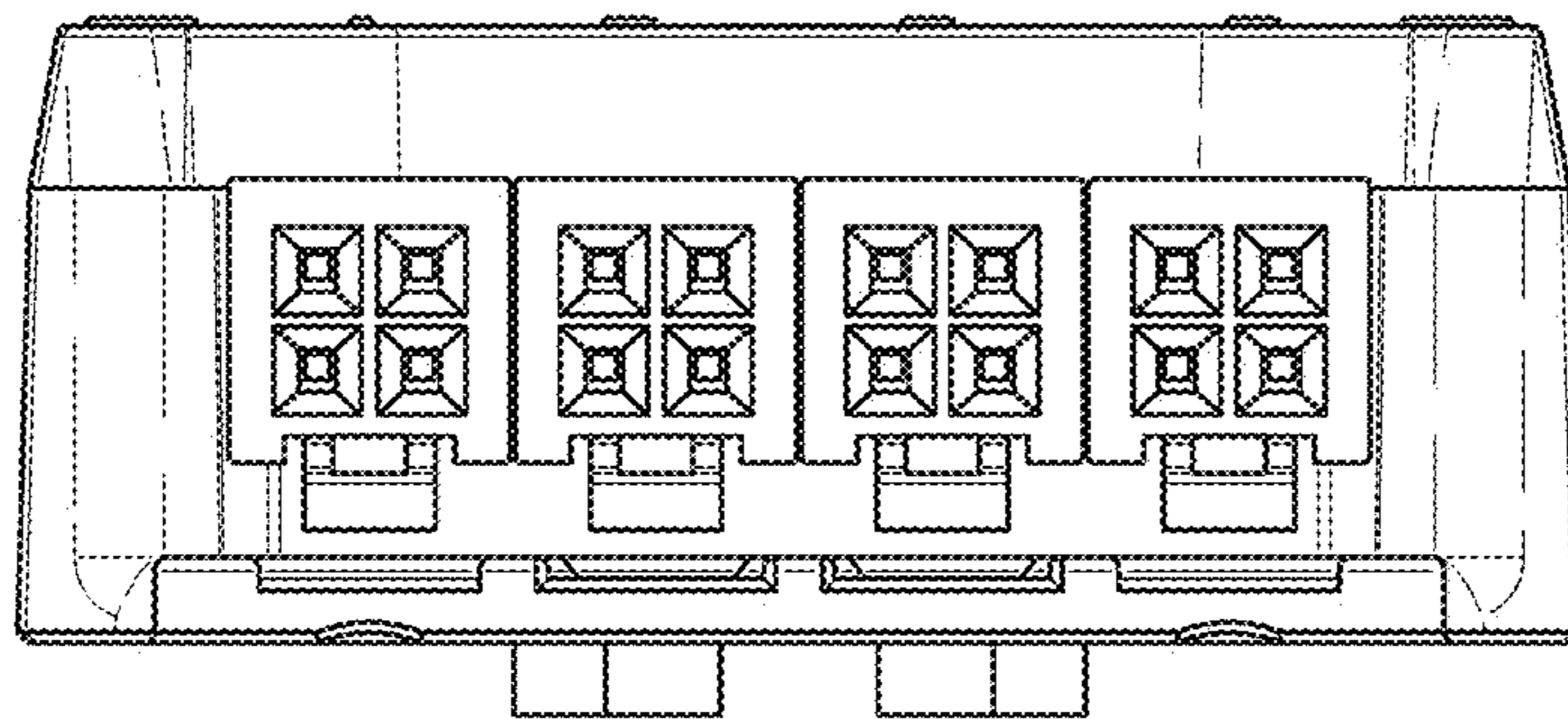


FIG. 3

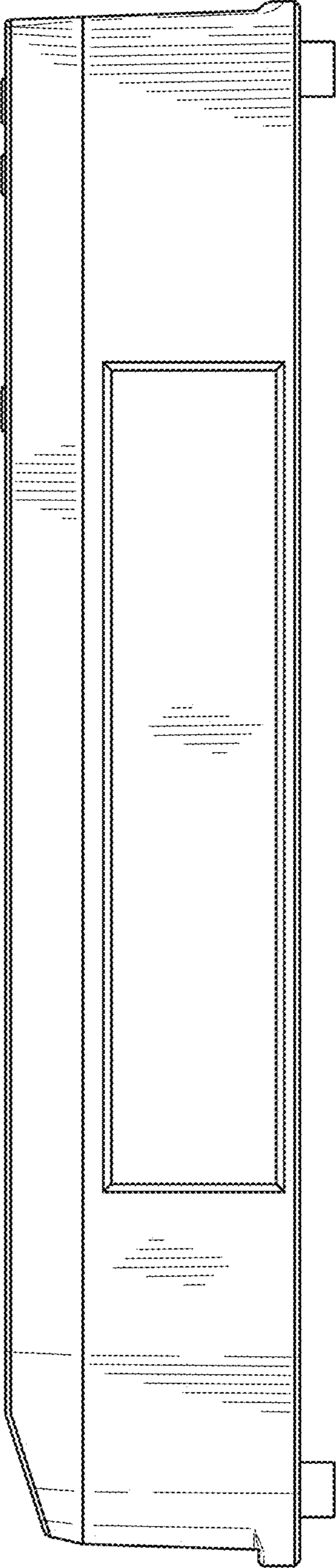


FIG. 4

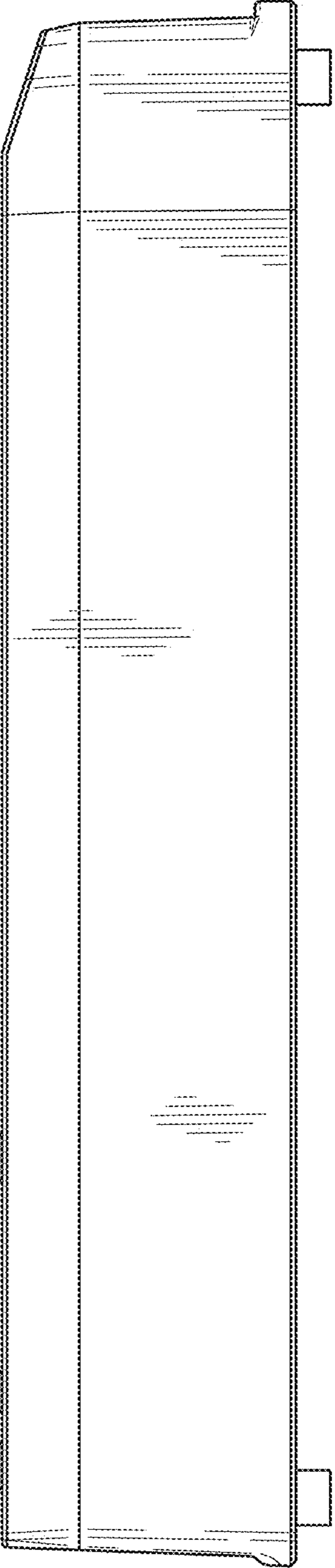


FIG. 5

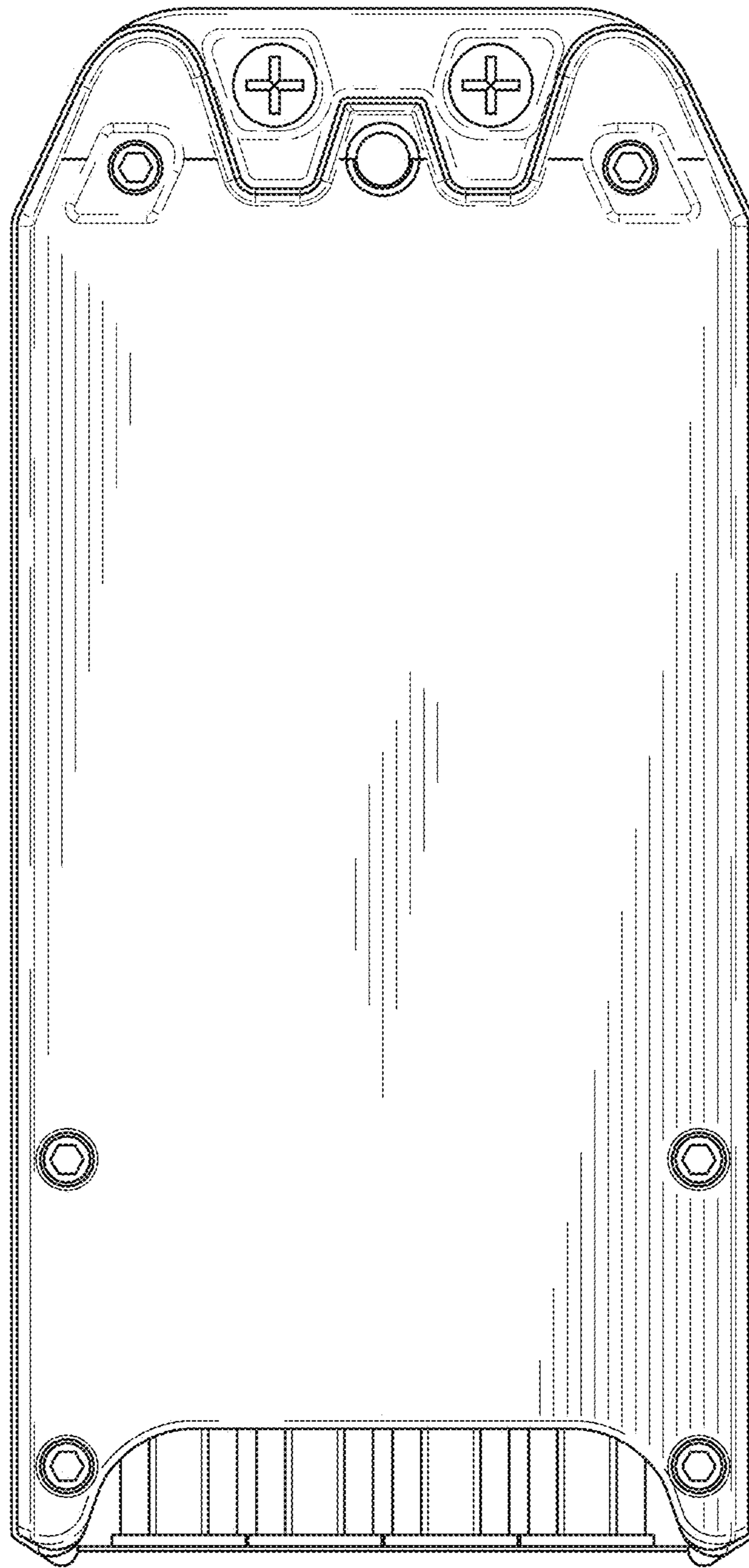


FIG. 6

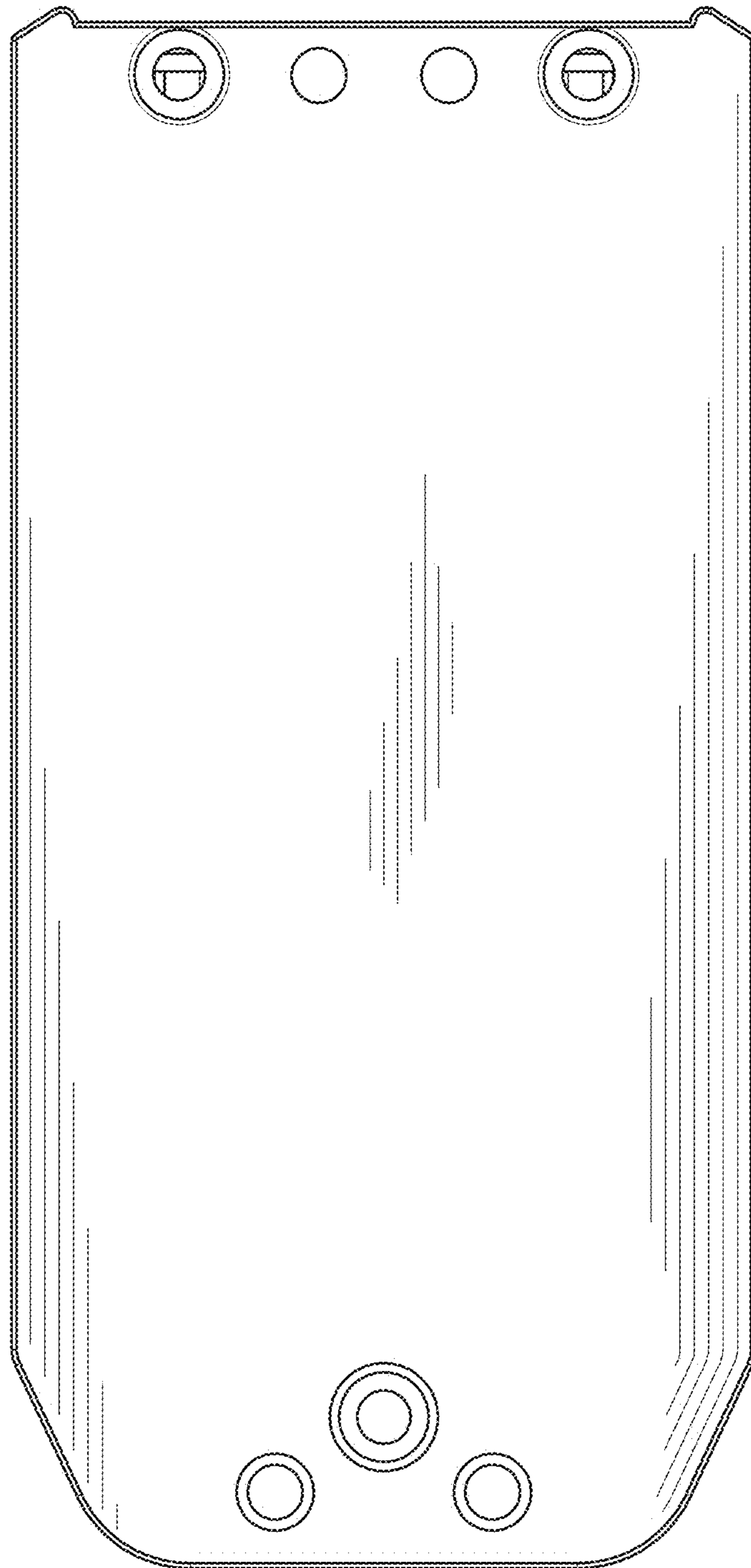


FIG. 7

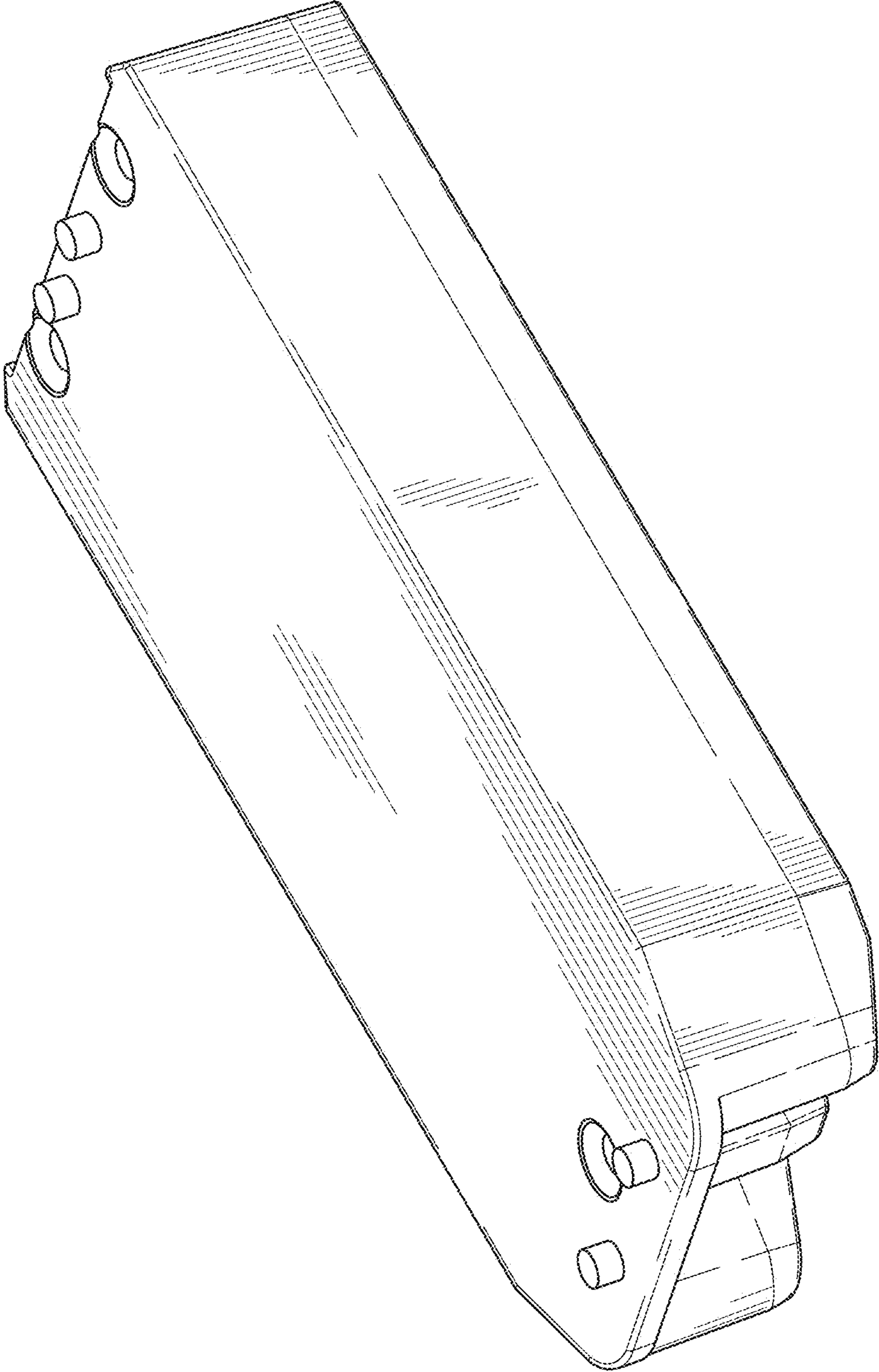


FIG. 8