



US00D727756S

(12) **United States Design Patent**
Stancato et al.

(10) **Patent No.:** **US D727,756 S**
(45) **Date of Patent:** **** Apr. 28, 2015**

(54) **HANDSET**

(71) Applicant: **General Electric Company**,
Schenectady, NY (US)
(72) Inventors: **Nicholas Anthony Stancato**, Syracuse,
NY (US); **Gerard Frederick**
Beckhusen, Baldwinsville, NY (US);
Theodore Alexander Chilek,
Skaneateles, NY (US); **Joshua Paul**
David DeRosa, Auburn, NY (US)

(73) Assignee: **General Electric Company**,
Schenectady, NY (US)

(**) Term: **14 Years**

(21) Appl. No.: **29/477,539**

(22) Filed: **Dec. 23, 2013**

(51) **LOC (10) Cl.** **10-04**

(52) **U.S. Cl.**
USPC **D10/46**; D10/78; D10/104

(58) **Field of Classification Search**
CPC G01N 21/88–2021/9586; G02B 7/008;
G02B 23/2453; G02B 23/2476; G02B
23/2486; H04N 2005/2255; H04N 5/2256;
H04N 5/23241; H04N 5/2354; H04N 5/2252;
H02J 7/0047; H02J 2007/0049; H02J
2007/005
USPC D10/46, 78, 104; D16/202, 203, 225,
D16/229, 231, 234
See application file for complete search history.

(56) **References Cited**

U.S. PATENT DOCUMENTS

D330,171 S * 10/1992 Wilson et al. D10/46
6,007,939 A 12/1999 Clowers
6,099,097 A 8/2000 Hocker et al.
6,272,717 B1 8/2001 Saraydar

6,656,626 B1 12/2003 Mooty et al.
6,670,808 B2 12/2003 Nath et al.
6,697,764 B2 2/2004 Corby, Jr. et al.
6,890,196 B2 5/2005 Vila
7,902,990 B2 3/2011 Delmonico et al.
8,100,440 B2 1/2012 Yu
8,189,043 B2 * 5/2012 Schneider et al. 348/82
8,217,646 B2 7/2012 Karpen
8,276,989 B2 10/2012 Rogers et al.
8,310,604 B2 11/2012 Delmonico et al.
8,343,115 B2 1/2013 Lynch et al.
8,368,749 B2 2/2013 Lambdin et al.
D679,616 S * 4/2013 Sun D10/46
8,840,544 B2 * 9/2014 Hosaka et al. 600/131
2005/0129108 A1 6/2005 Bendall et al.

OTHER PUBLICATIONS

GE Measurement & Control Solutions; XLG3 Video Probe, Inspection Technologies, 2012, 16 pages.
GE Measurement & Control, XL Go+ Video Probe, Inspection Technologies, 2012, 16 pages.

* cited by examiner

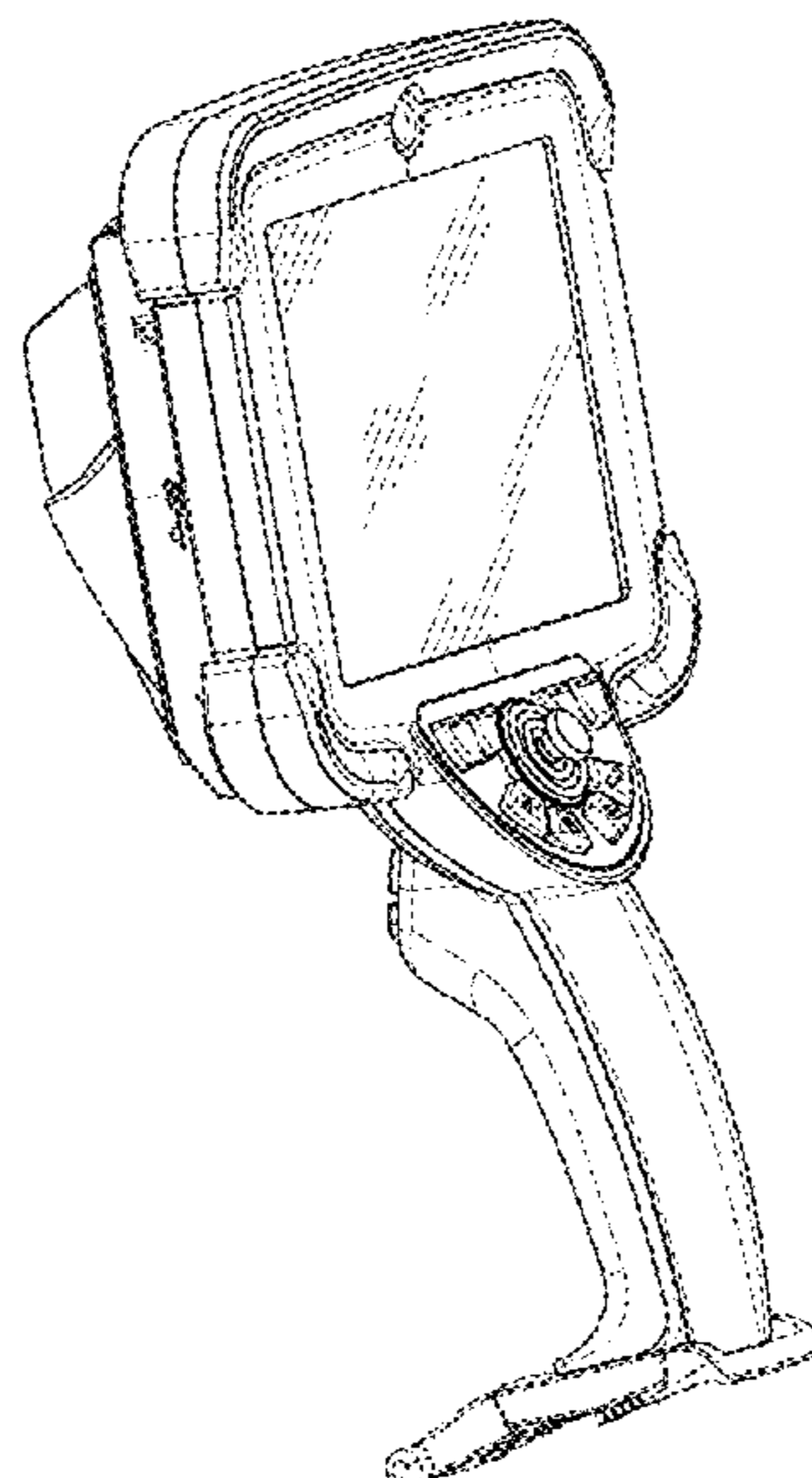
Primary Examiner — Antoine D Davis
(74) *Attorney, Agent, or Firm* — Hiscock & Barclay LLP

(57) **CLAIM**
The ornamental design for a handset, as shown and described.

DESCRIPTION

FIG. 1 is a perspective view thereof;
FIG. 2 is a front plan view thereof;
FIG. 3 is a back plan view thereof;
FIG. 4 is a left side elevational view thereof;
FIG. 5 is a right side elevational view thereof;
FIG. 6 is a top end elevational view thereof; and,
FIG. 7 is a bottom end elevational view thereof.
Broken lines are shown herein for illustrative purposes only, and form no part of the claimed design.

1 Claim, 7 Drawing Sheets



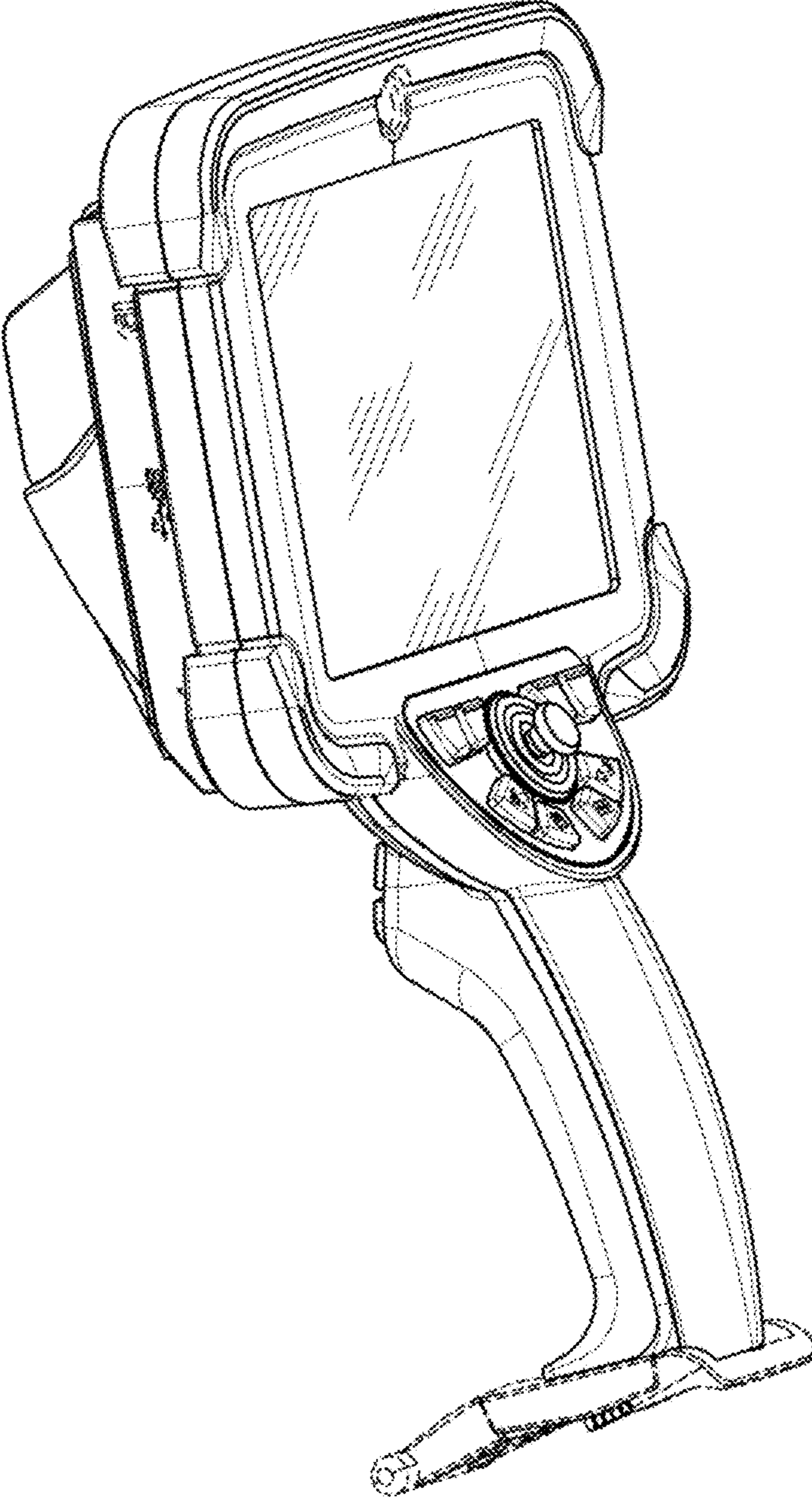


FIG. 1

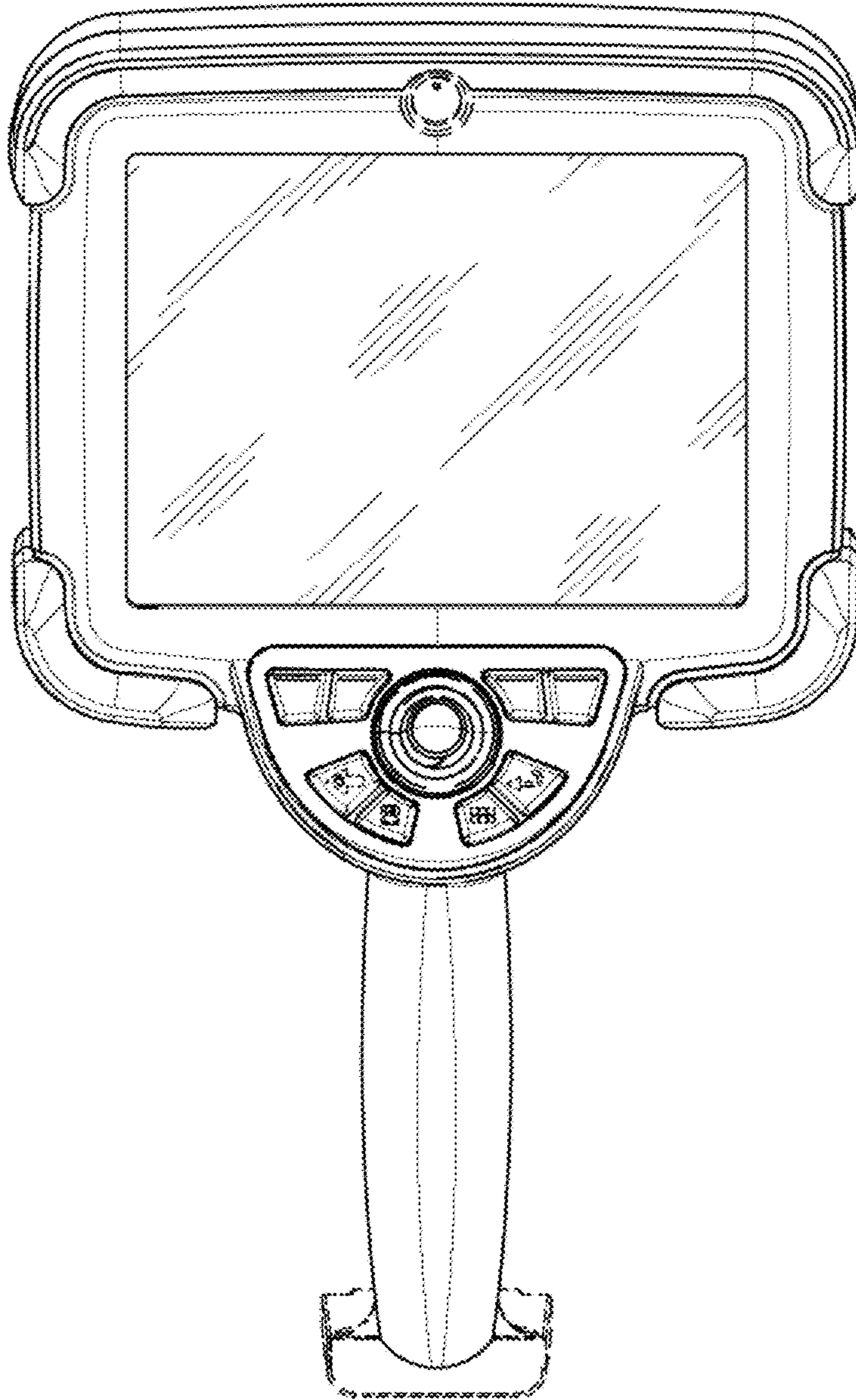


FIG. 2

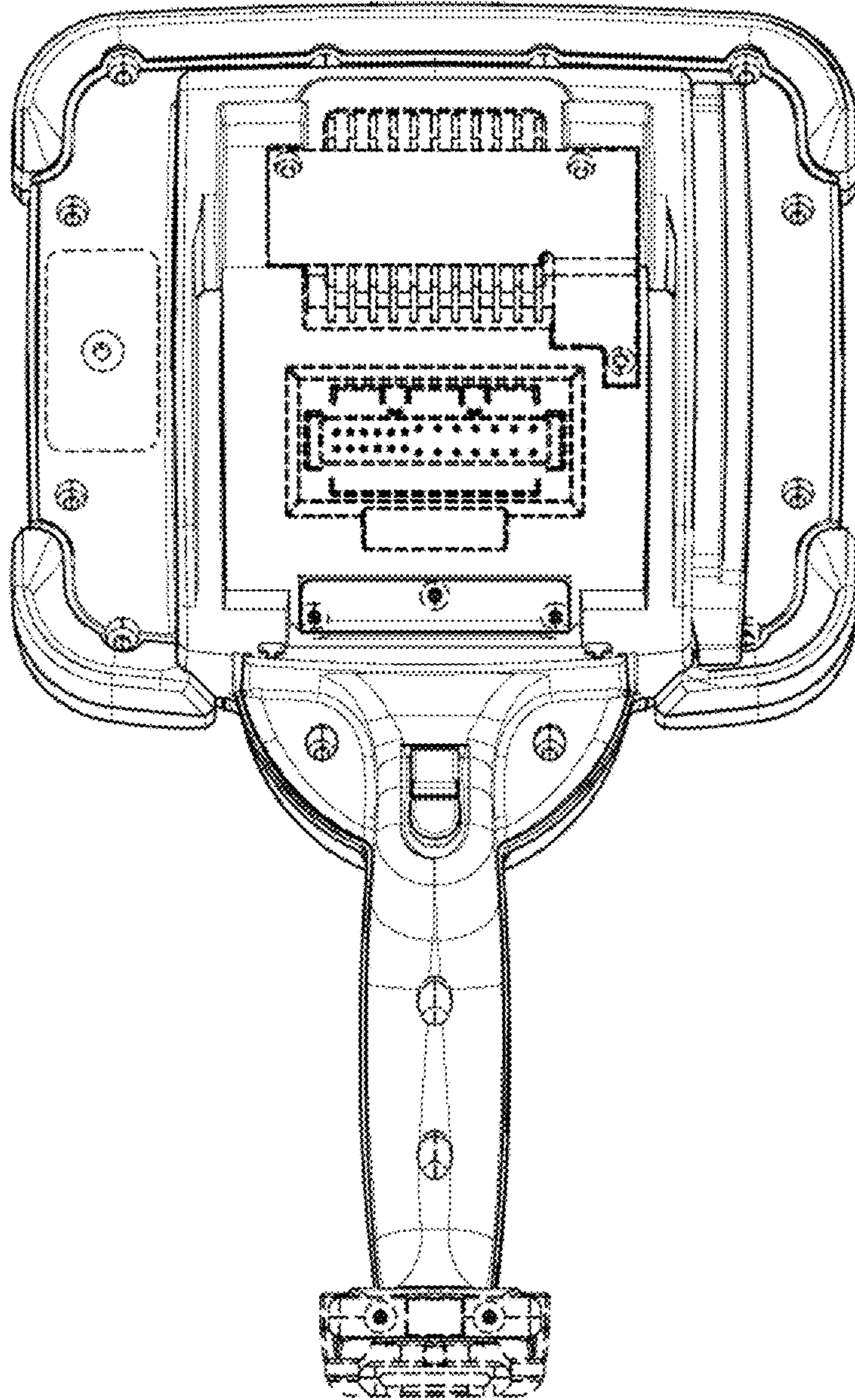


FIG. 3

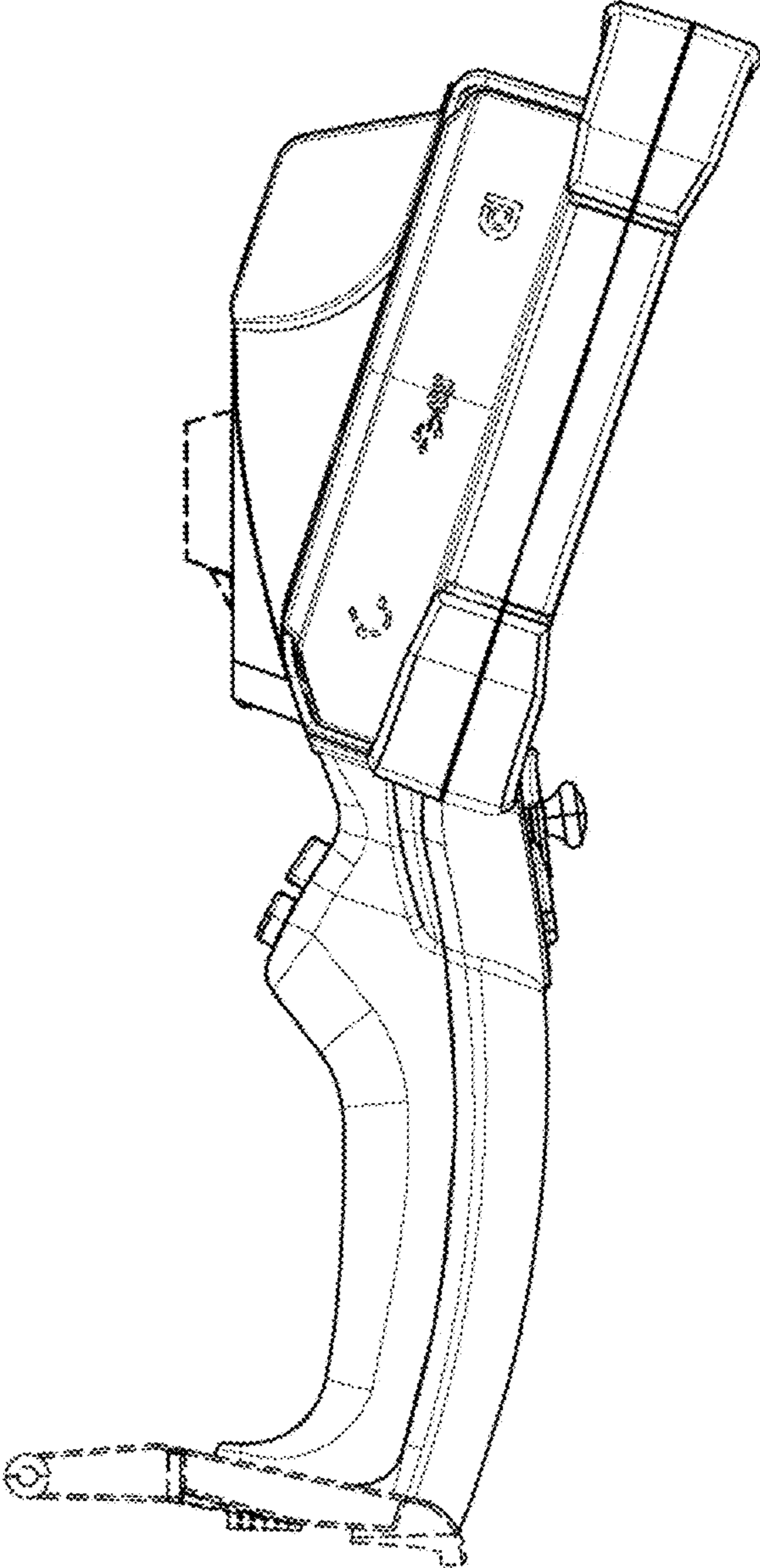


FIG. 4

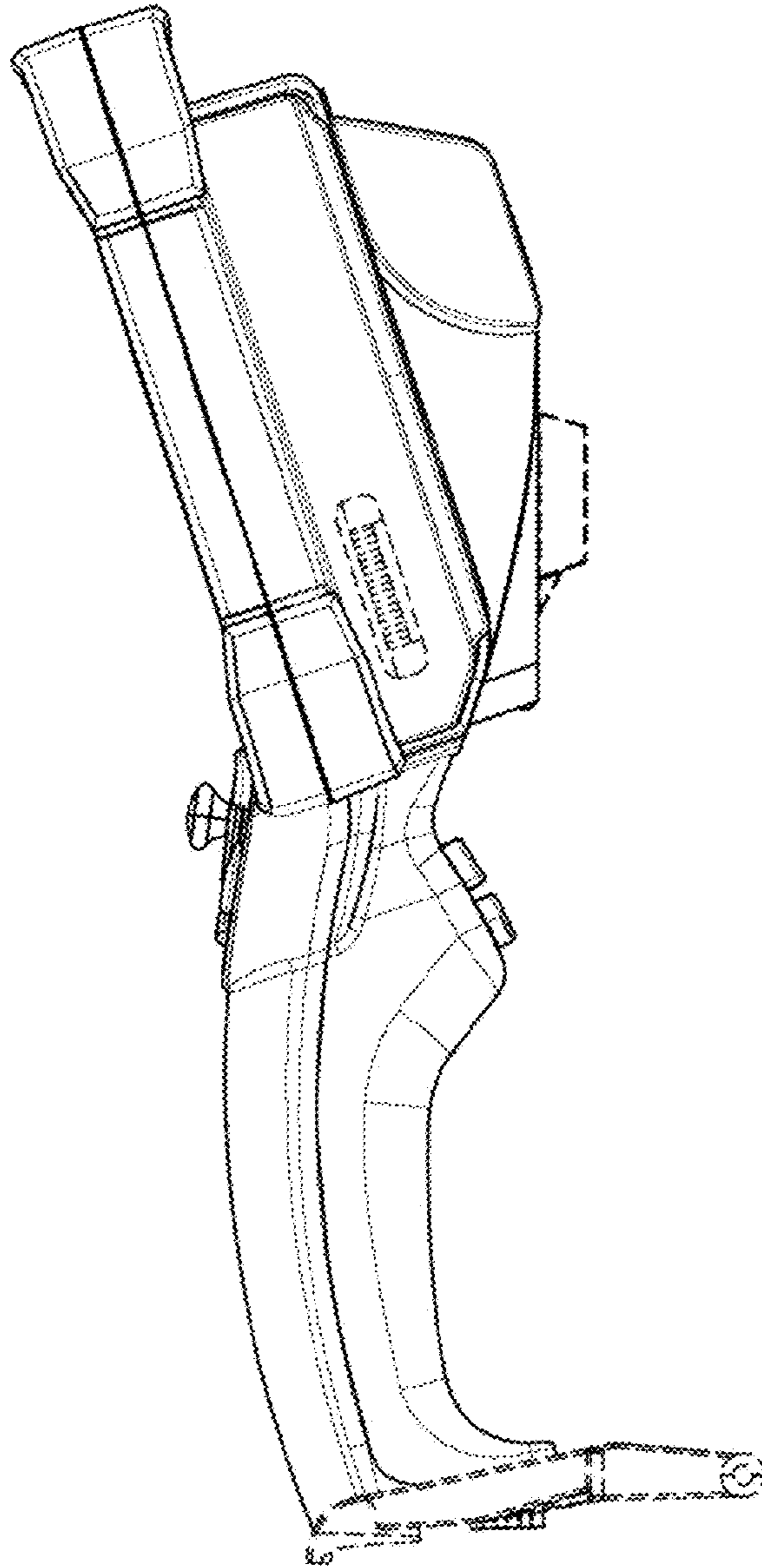


FIG. 5

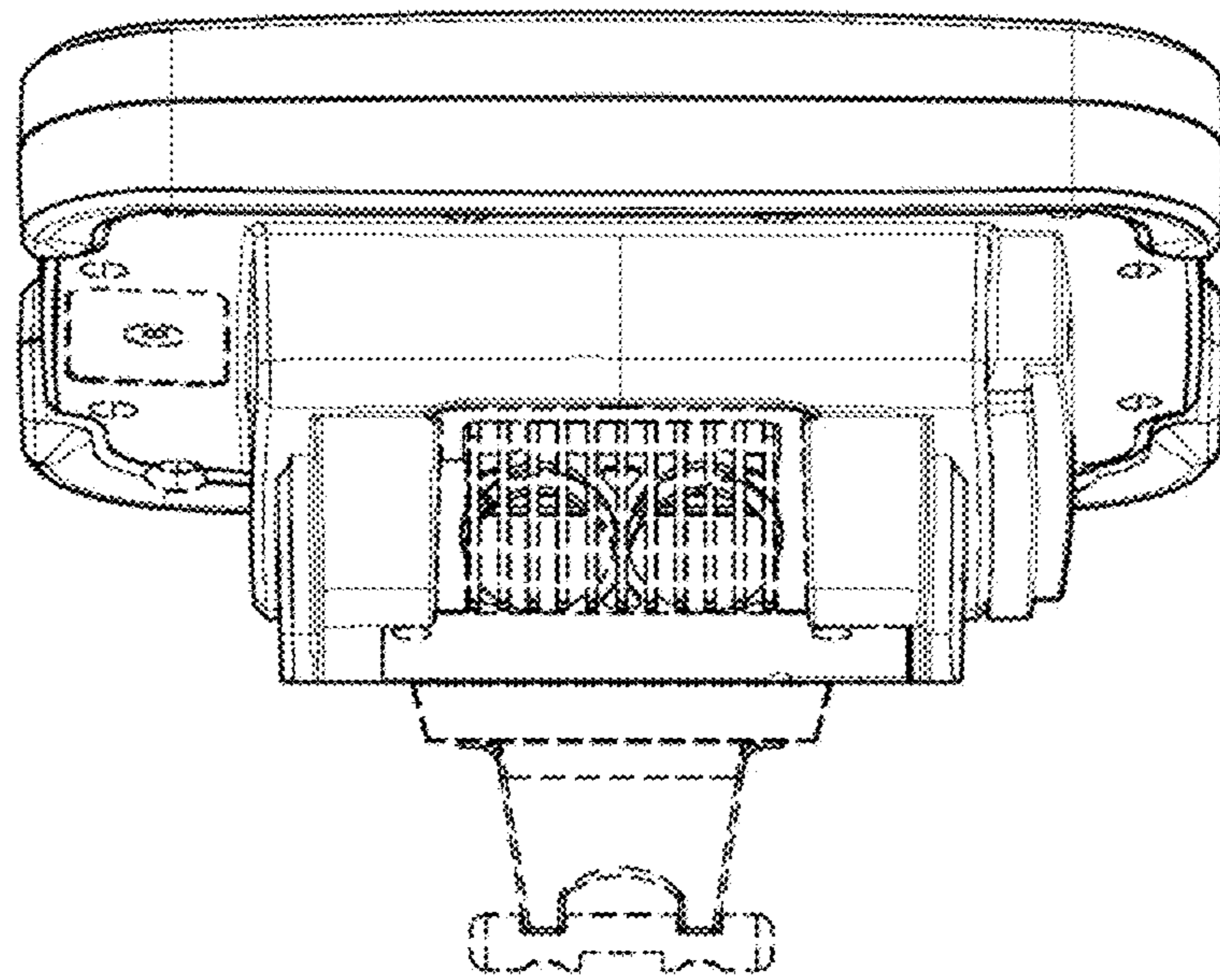


FIG. 6

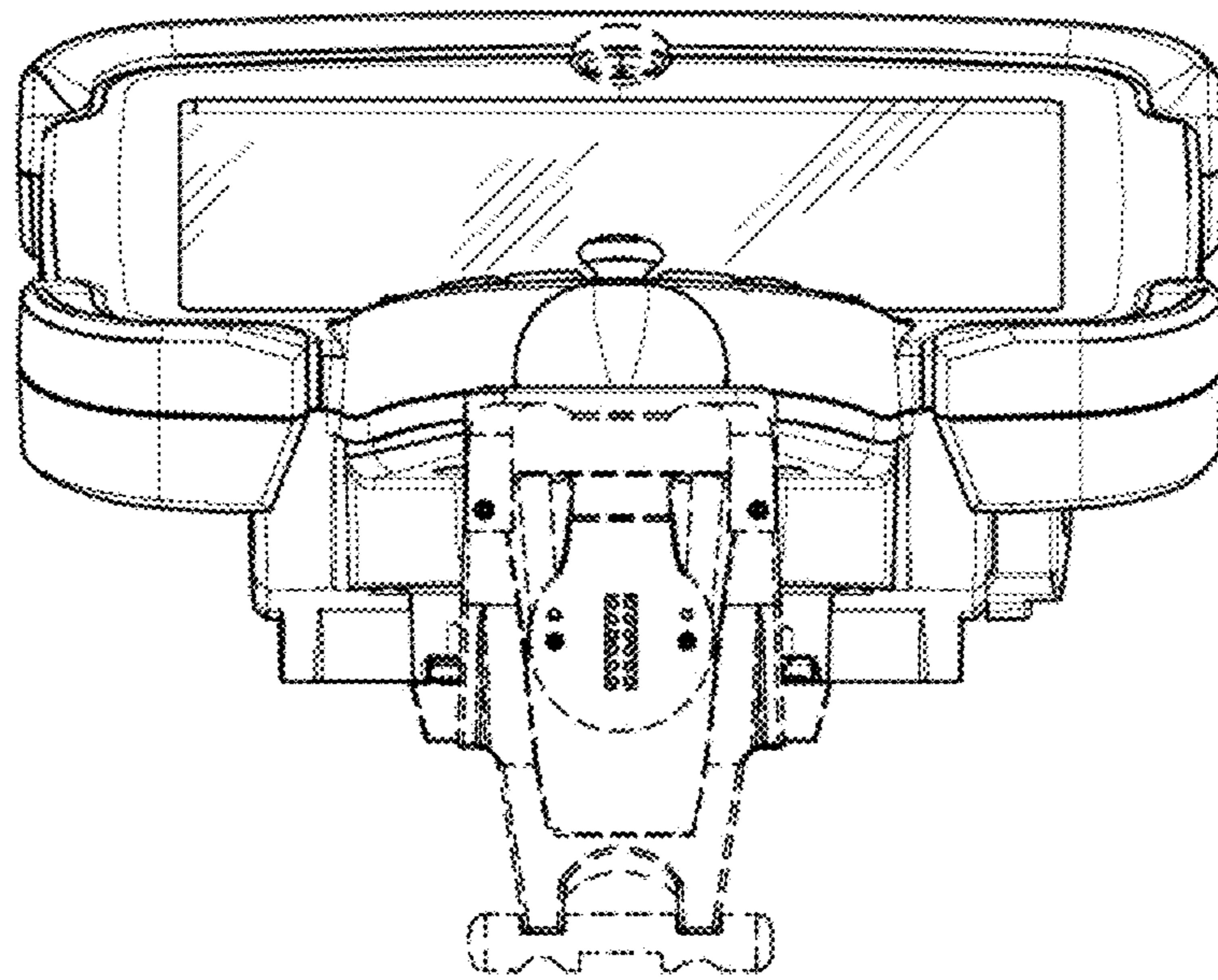


FIG. 7