



US00D727755S

(12) **United States Design Patent**
Laucella

(10) **Patent No.:** **US D727,755 S**

(45) **Date of Patent:** **** Apr. 28, 2015**

- (54) **WATCH**
- (71) Applicant: **Montres Breguet SA, L'Abbaye (CH)**
- (72) Inventor: **Vincent Laucella, Le Brassus (CH)**
- (73) Assignee: **Montres Breguet SA, L'Abbaye (CH)**
- (**) Term: **14 Years**

D616,767 S *	6/2010	Laucella	D10/39
D627,243 S *	11/2010	Deleskiewicz et al.	D10/39
D628,497 S *	12/2010	Laucella	D10/33
D650,711 S *	12/2011	Laucella	D10/39

(Continued)

- (21) Appl. No.: **29/501,939**
- (22) Filed: **Sep. 10, 2014**

FOREIGN PATENT DOCUMENTS

WO	DM/066430	*	3/2005
WO	DM/075537	*	3/2011

(30) **Foreign Application Priority Data**

Mar. 10, 2014 (WO) DM/083 067

- (51) **LOC (10) Cl.** **10-02**
- (52) **U.S. Cl.**
USPC **D10/39**
- (58) **Field of Classification Search**
CPC G04B 37/00; G04B 47/04; G04B 45/0076;
G04B 19/06
USPC D10/30-39, 122-132; 368/276, 281,
368/282, 285, 223, 228, 232
See application file for complete search history.

OTHER PUBLICATIONS

Watches International VI, The Original Annual of the World's Finest Wristwatches, 2005, Tourbillon International, LLC., p. 135, Breguet Classique Tourbillon For Ladies, Ref. 3358BB/52/986 DD00, Breguet watch with faceted stones on bezel and lugs.*
 Wristwatch Annual 2007, The Catalog of Producers, Prices, Models, and Specifications, p. 117, Breguet Classique watch, reference 8068 BB 52 964 DD00, Breguet watch with faceted stones on bezel.*
 Wristwatch Annual 2008, The Catalog of Producers, Prices, Models and Specifications, p. 137, Breguet Classique watch with calendar window and second hand, reference 5157 BA 12 9V6.*

Primary Examiner — Lucy Lieberman

(74) *Attorney, Agent, or Firm* — Donald J. Ranft; Kristen A. Mogavero; Collen IP

(56) **References Cited**

U.S. PATENT DOCUMENTS

D308,945 S *	7/1990	Bonnet	D10/32
D350,288 S *	9/1994	Giardiello	D10/30
D365,772 S *	1/1996	Wunderman	D10/32
D518,387 S *	4/2006	Roden	D10/31
D551,095 S *	9/2007	Monachon	D10/32
D552,490 S *	10/2007	Laucella	D10/31
D554,535 S *	11/2007	Journe	D10/31
D559,128 S *	1/2008	Laucella	D10/39
D559,130 S *	1/2008	Laucella	D10/39
D559,131 S *	1/2008	Laucella	D10/39
D578,901 S *	10/2008	Laucella	D10/38
D586,240 S *	2/2009	Reginelli	D10/32
D592,980 S *	5/2009	Laucella	D10/39
D593,880 S *	6/2009	Laucella	D10/39
D615,882 S *	5/2010	Laucella	D10/39
D615,883 S *	5/2010	Laucella	D10/39

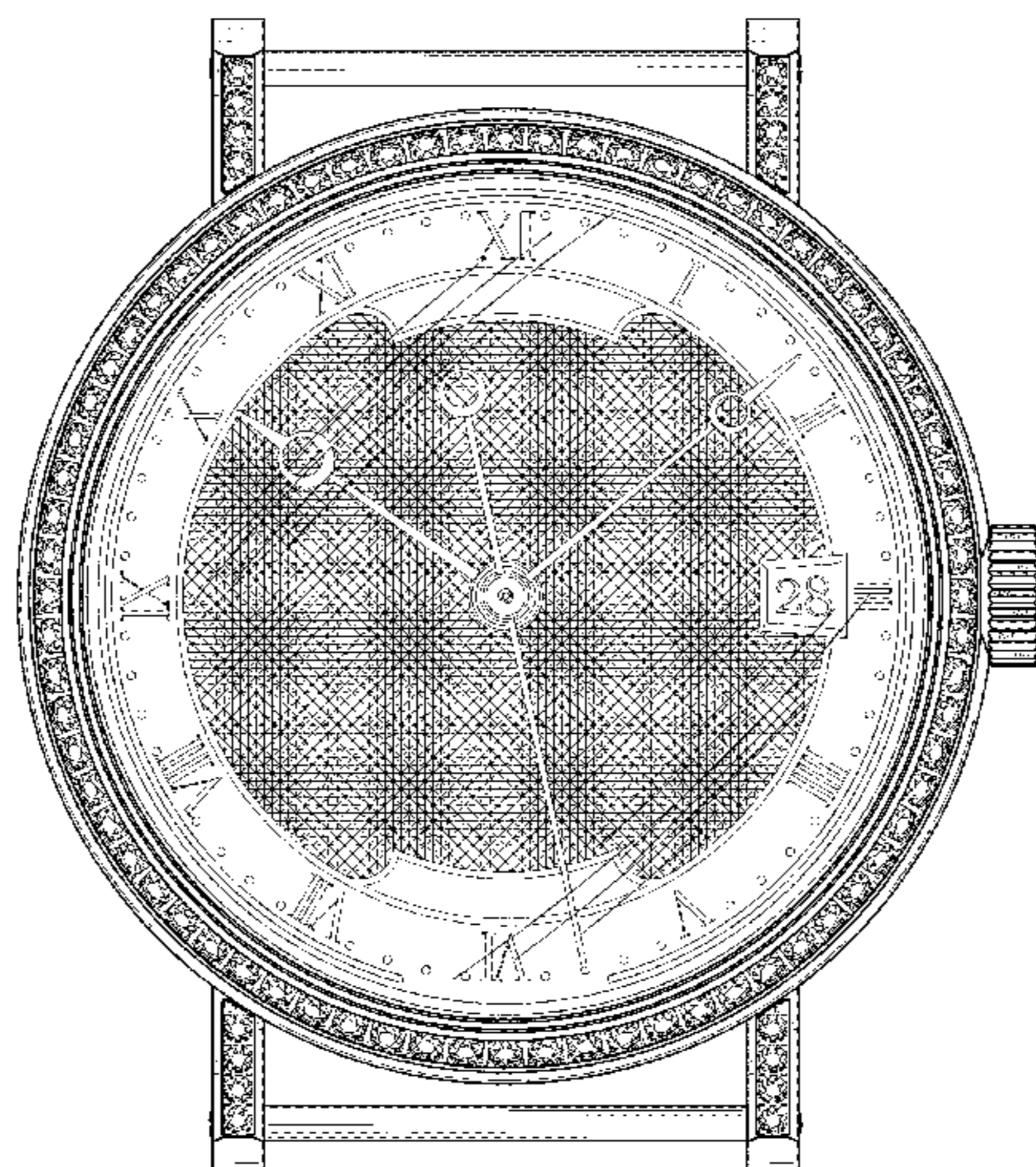
CLAIM

(57) The ornamental design for a watch, as shown.

DESCRIPTION

FIG. 1 is a front right perspective view of a watch showing my new design;
 FIG. 2 is a rear right perspective view thereof;
 FIG. 3 is a front view thereof;
 FIG. 4 is a rear view thereof;
 FIG. 5 is a left side view thereof;
 FIG. 6 is a right side view thereof;
 FIG. 7 is a top view thereof;
 FIG. 8 is a bottom view thereof;
 FIG. 9 is a front left perspective view thereof; and,
 FIG. 10 is a rear left perspective view thereof.

1 Claim, 7 Drawing Sheets



(56)

References Cited

U.S. PATENT DOCUMENTS

D652,324 S *	1/2012	Laucella	D10/33	* cited by examiner
D658,513 S *	5/2012	Laucella	D10/33	
D669,372 S *	10/2012	Laucella	D10/39	
8,416,645 B2 *	4/2013	Zaugg et al.	368/22	

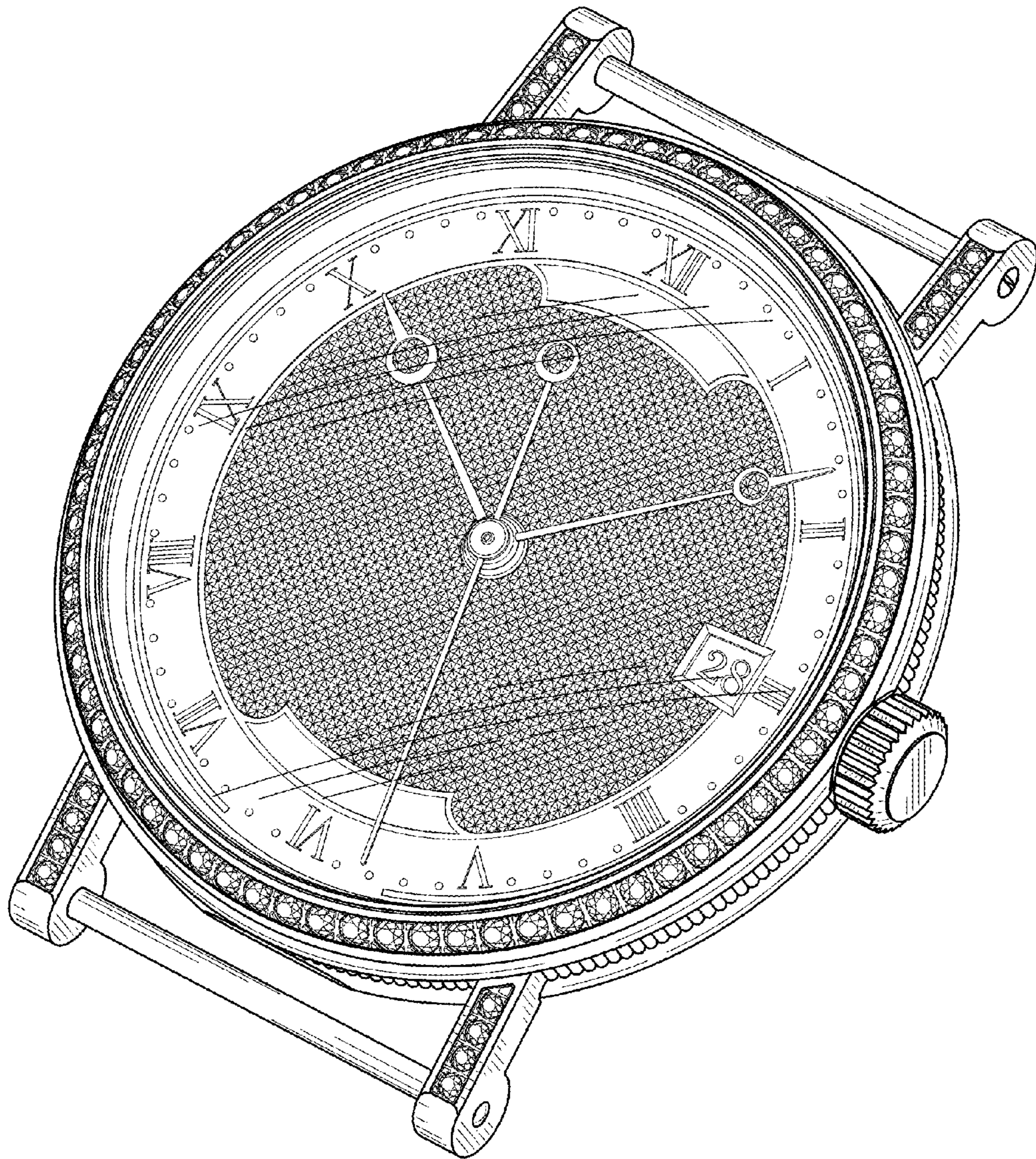


FIG. 1

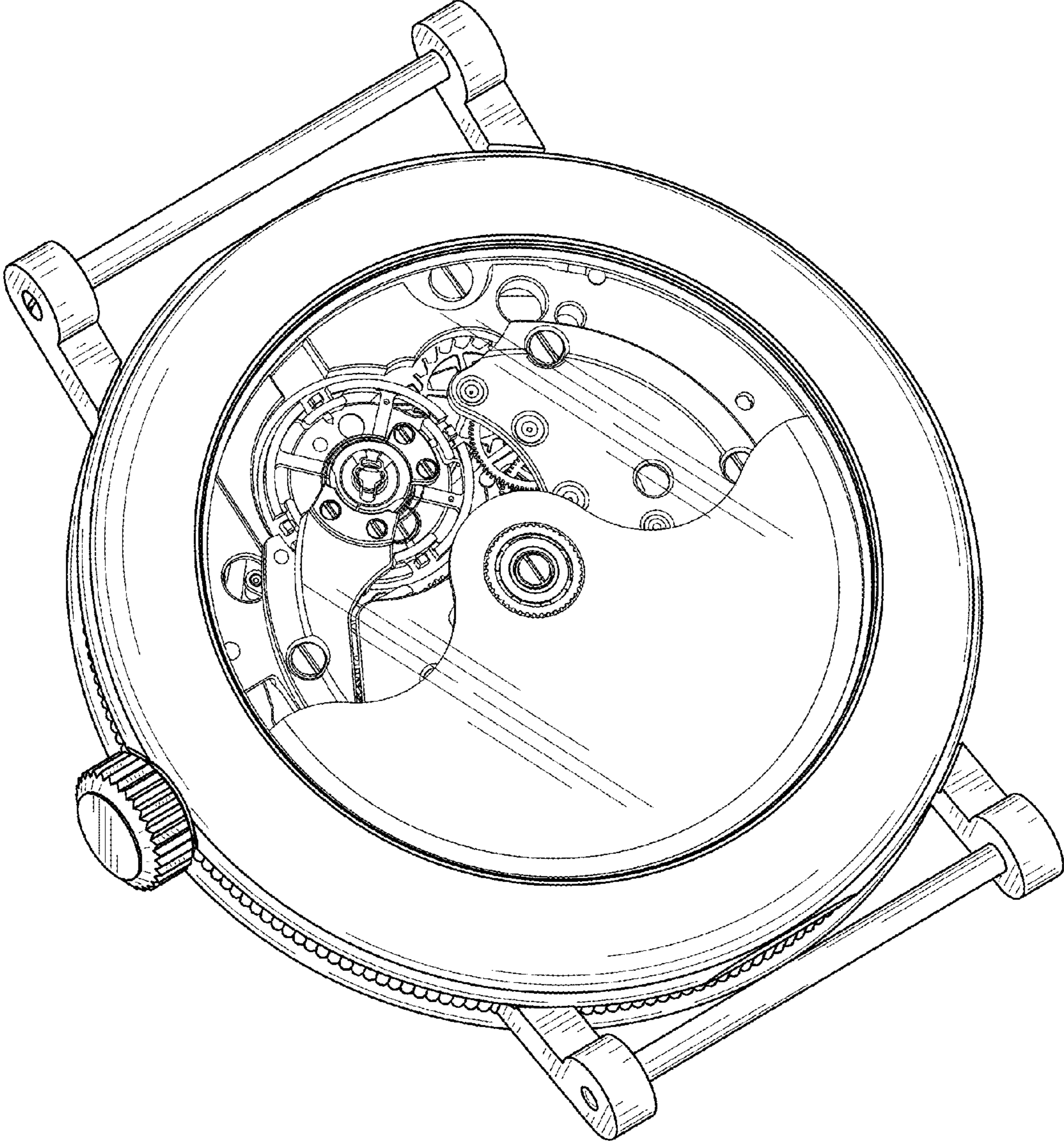


FIG. 2

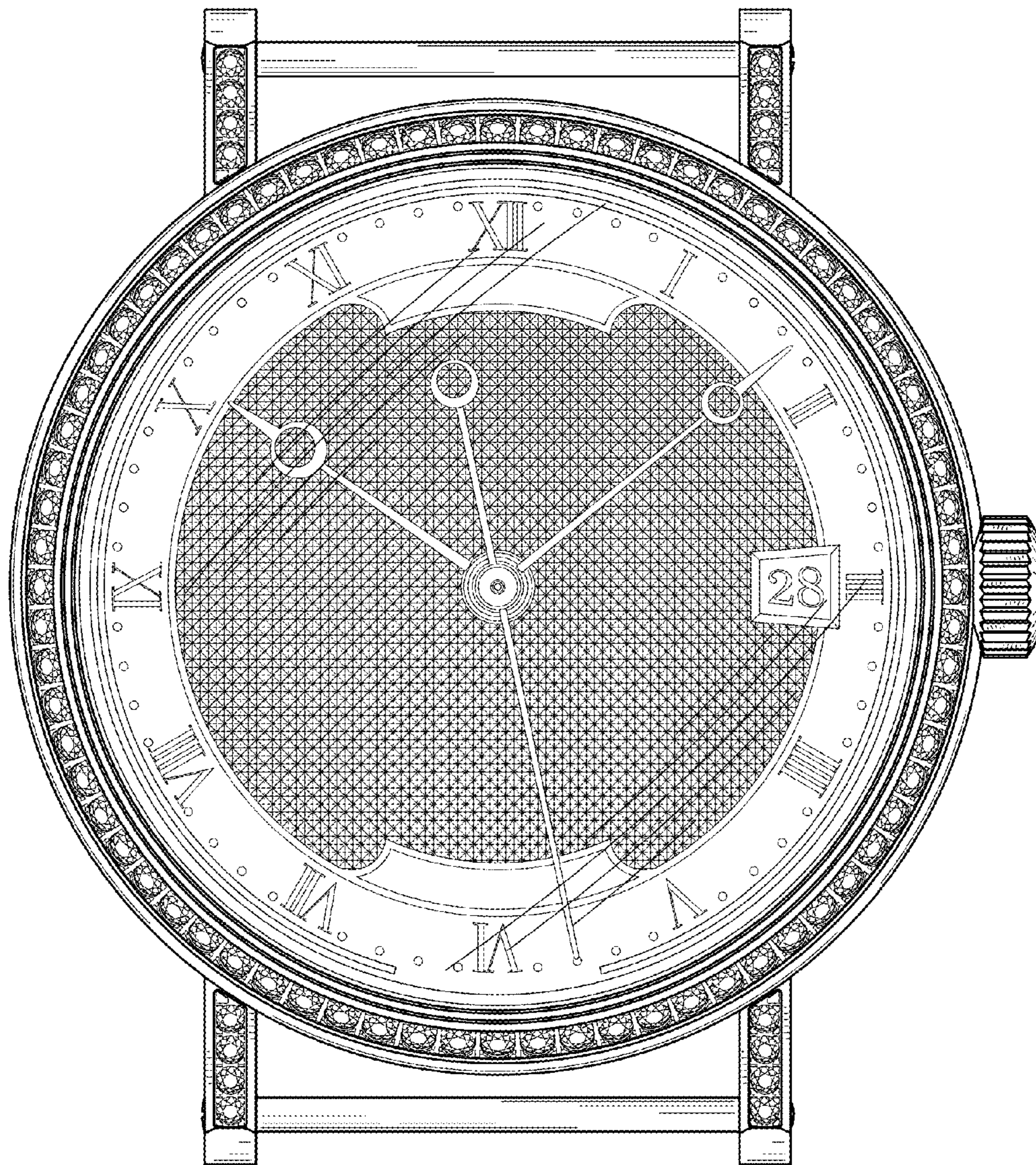


FIG. 3

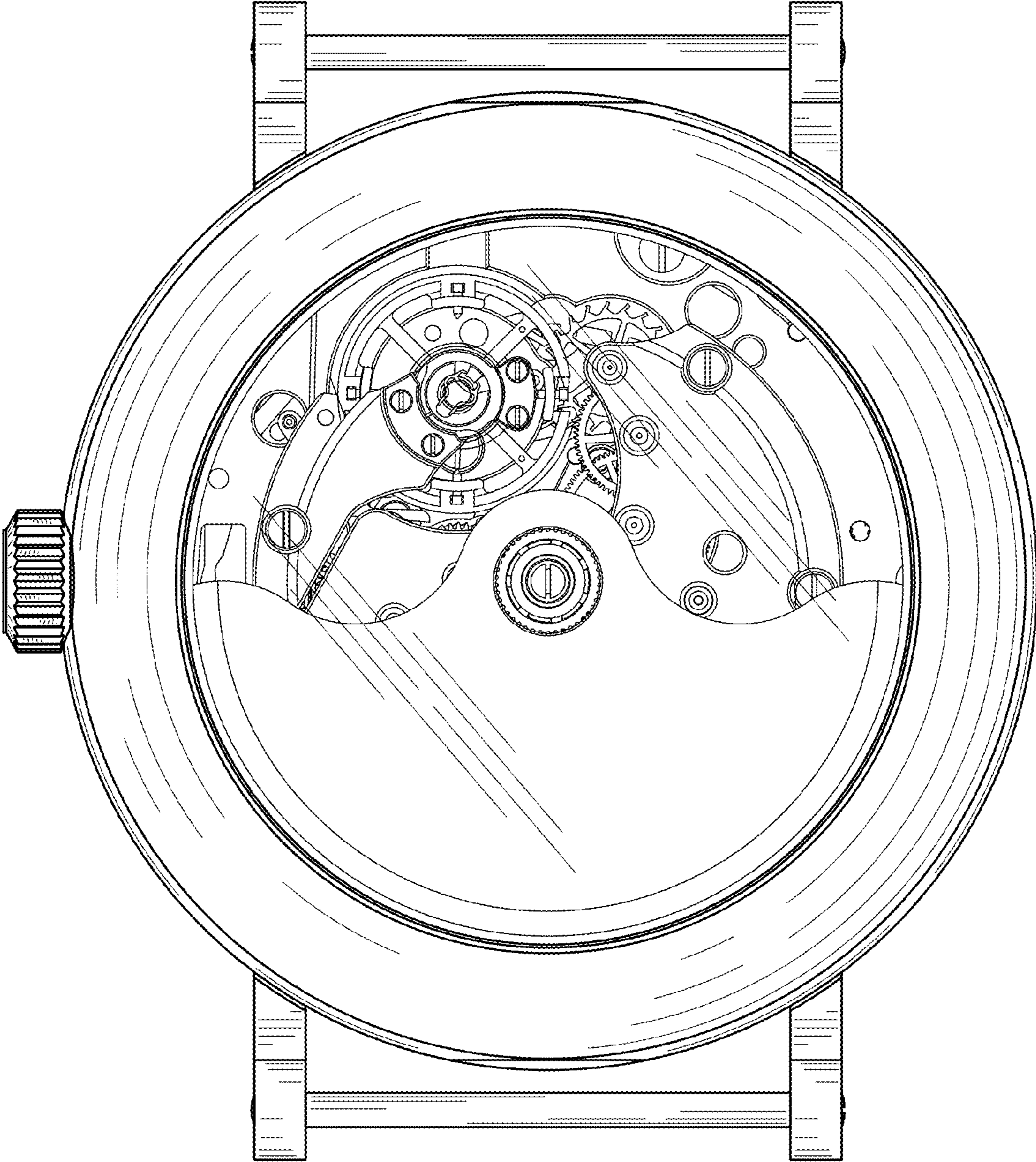


FIG. 4

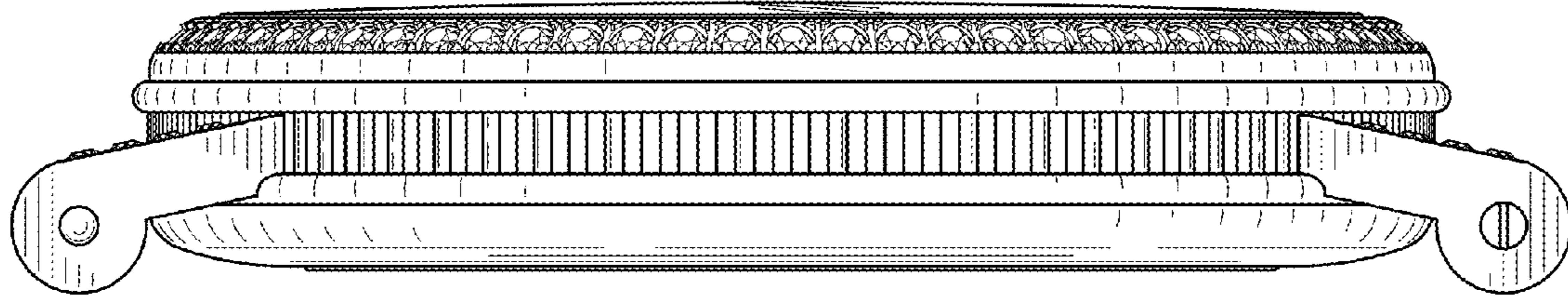


FIG. 5

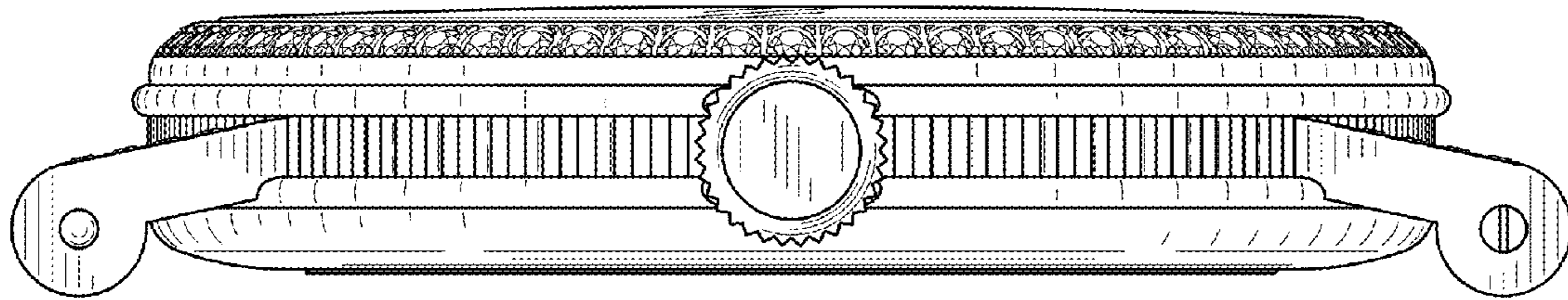


FIG. 6

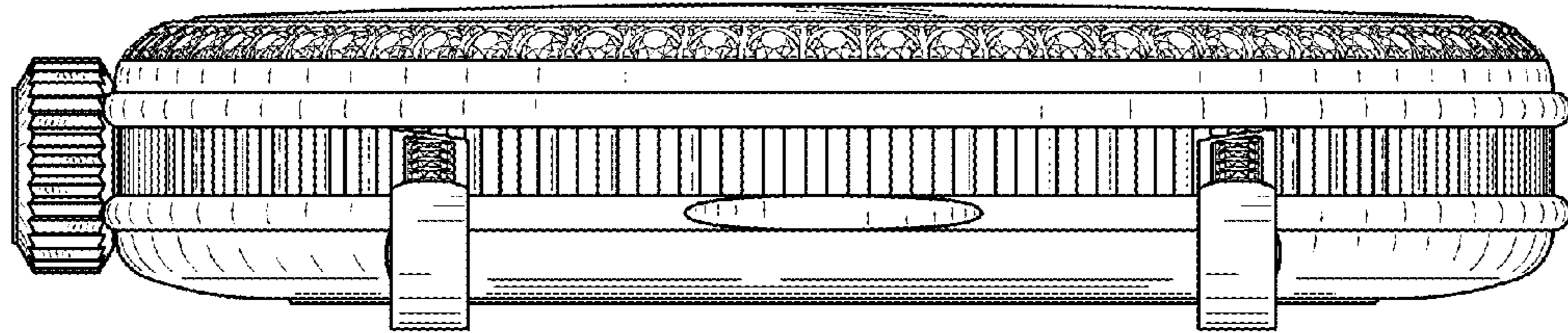


FIG. 7

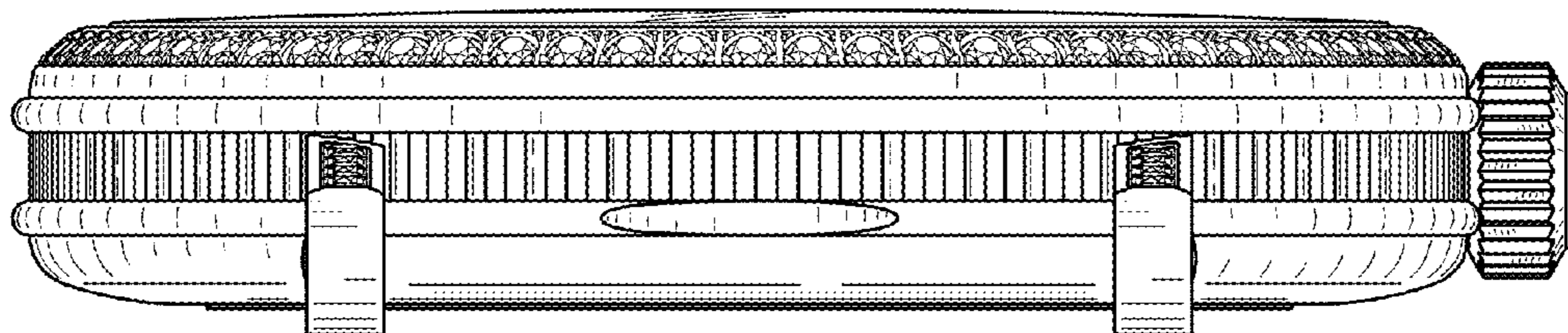


FIG. 8

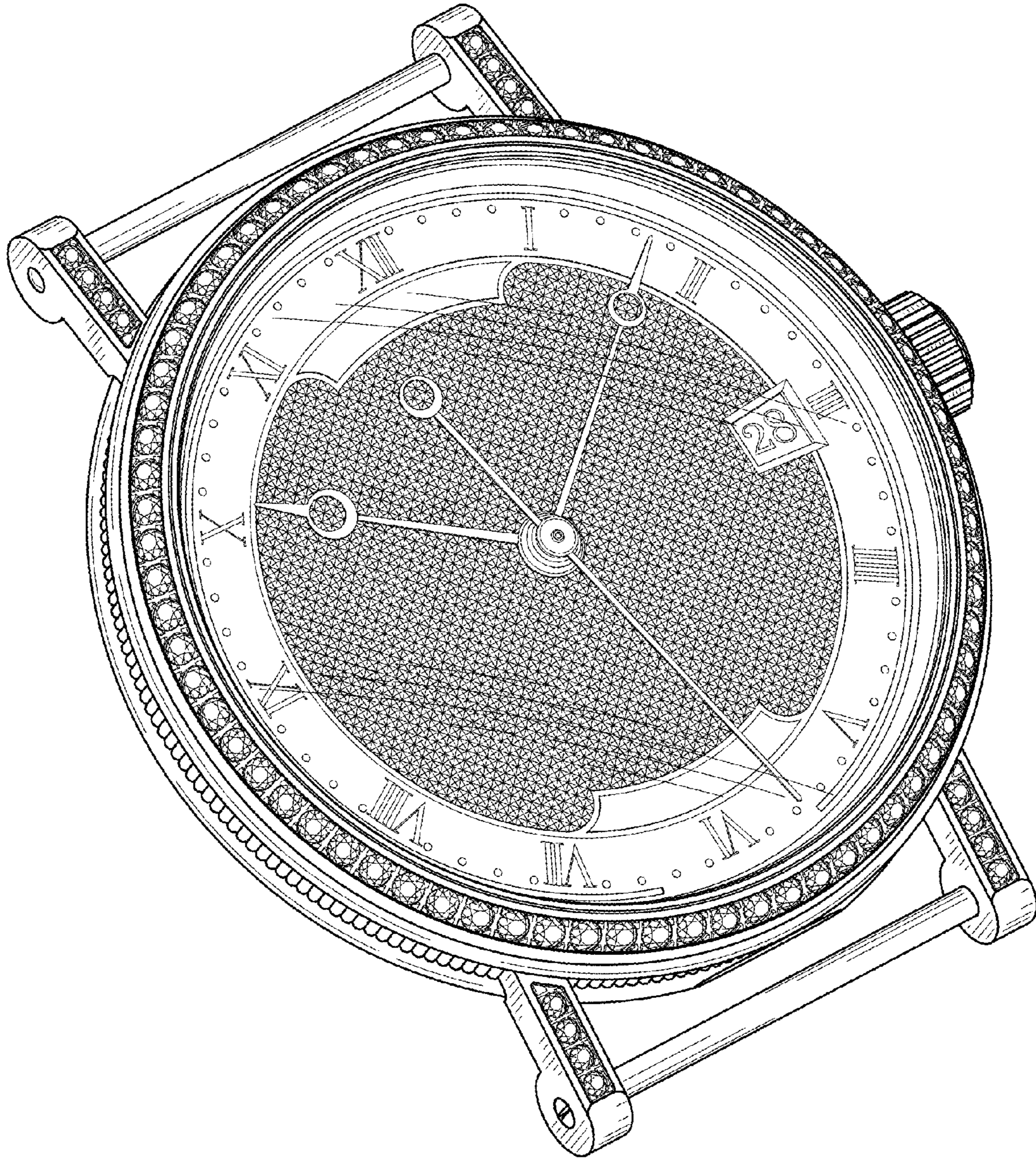


FIG. 9

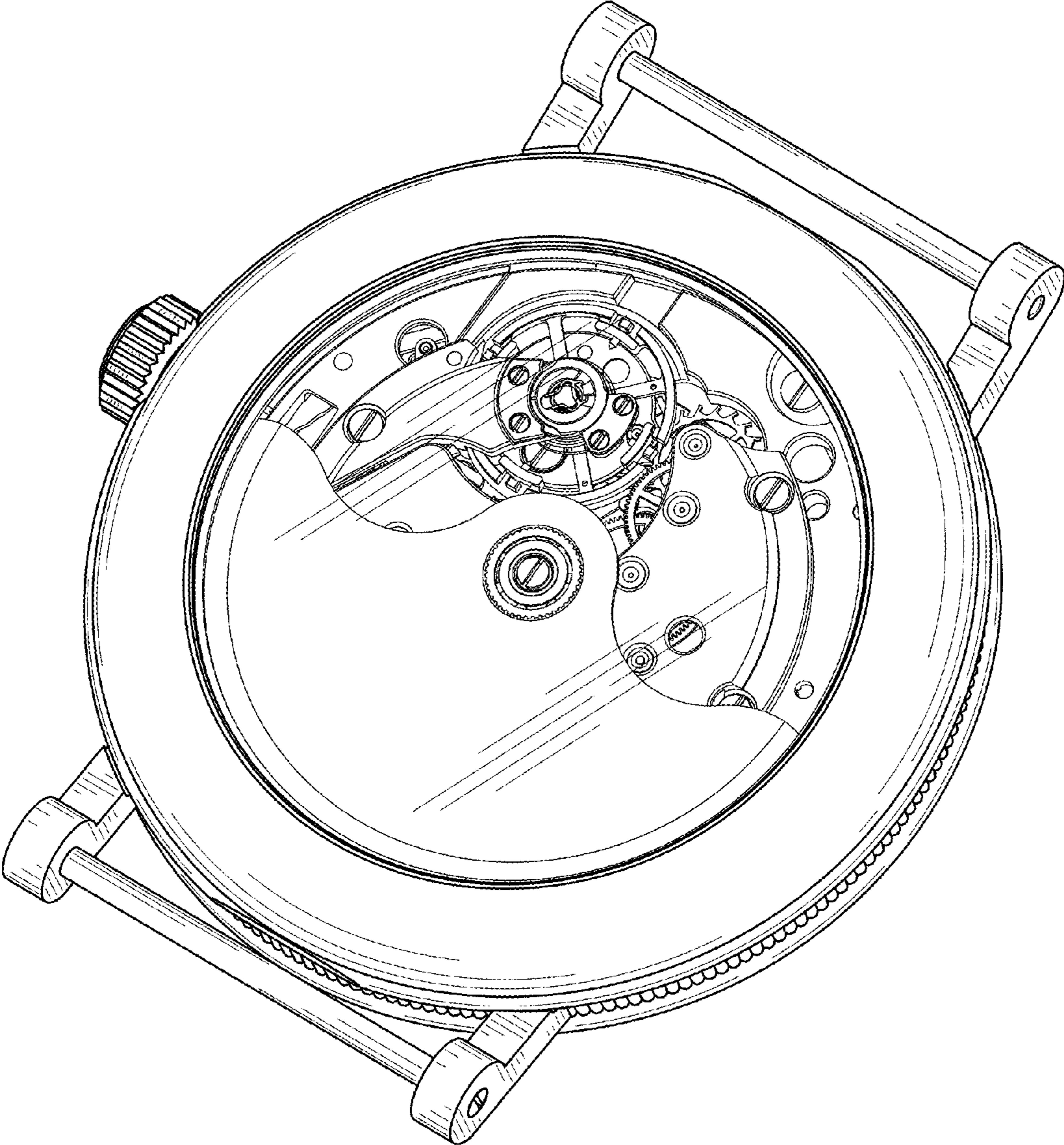


FIG. 10