



US00D727754S

(12) **United States Design Patent**
Laucella

(10) **Patent No.:** **US D727,754 S**
(45) **Date of Patent:** **** Apr. 28, 2015**

(54) **WATCH**

(71) Applicant: **Montres Breguet SA, L'Abbaye (CH)**

(72) Inventor: **Vincent Laucella, Le Brassus (CH)**

(73) Assignee: **Montres Breguet SA, L'Abbaye (CH)**

(**) Term: **14 Years**

(21) Appl. No.: **29/501,937**

(22) Filed: **Sep. 10, 2014**

(30) **Foreign Application Priority Data**

Mar. 10, 2014 (WO) DM/083 067

(51) **LOC (10) Cl.** **10-02**

(52) **U.S. Cl.**
USPC **D10/39**

(58) **Field of Classification Search**
CPC G04B 37/00; G04B 47/04; G04B 45/0076;
G04B 19/06; G04B 45/02; G04B 13/00;
G04B 15/00; G04B 19/241; G04B 19/243;
G04B 19/247; G04B 19/25306; G04B 19/16;
G04B 19/166
USPC D10/30-39, 122-132; 368/276, 281,
368/282, 285, 223, 228, 232, 28, 35, 37
See application file for complete search history.

(56) **References Cited**

U.S. PATENT DOCUMENTS

D4,649 S * 2/1871 Gale D10/124
141,161 A * 7/1873 Mozart 368/37
316,254 A * 4/1885 Gale 368/37
412,796 A * 10/1889 Rosenburg 368/37
6,826,122 B2 * 11/2004 Zaugg 368/28
D505,342 S * 5/2005 Hayek D10/39
D519,852 S * 5/2006 Roden D10/31

D552,490 S * 10/2007 Laucella D10/31
D559,128 S * 1/2008 Laucella D10/39
D559,131 S * 1/2008 Laucella D10/39
D568,180 S * 5/2008 Laucella D10/39
D615,883 S * 5/2010 Laucella D10/39
D616,767 S * 6/2010 Laucella D10/39
D669,372 S * 10/2012 Laucella D10/39
D677,176 S * 3/2013 Ruffieux D10/39
D708,072 S * 7/2014 Oes D10/32
2010/0214879 A1 * 8/2010 Lechot et al. 368/101

OTHER PUBLICATIONS

Wristwatch Annual, The Catalog of Producers, Prices, Models, and Specifications, 2007, Abbeville Press Publishers, p. 117, Breguet Tourbillon Perpetual Calendar ref. # 3755 PR 1E 9V6 and Breguet Tourbillon Regulateur, ref. No. 5307 BA 12 9V6.*

* cited by examiner

Primary Examiner — Lucy Lieberman

(74) *Attorney, Agent, or Firm* — Donald J. Ranft; Kristen A. Mogavero; Collen IP

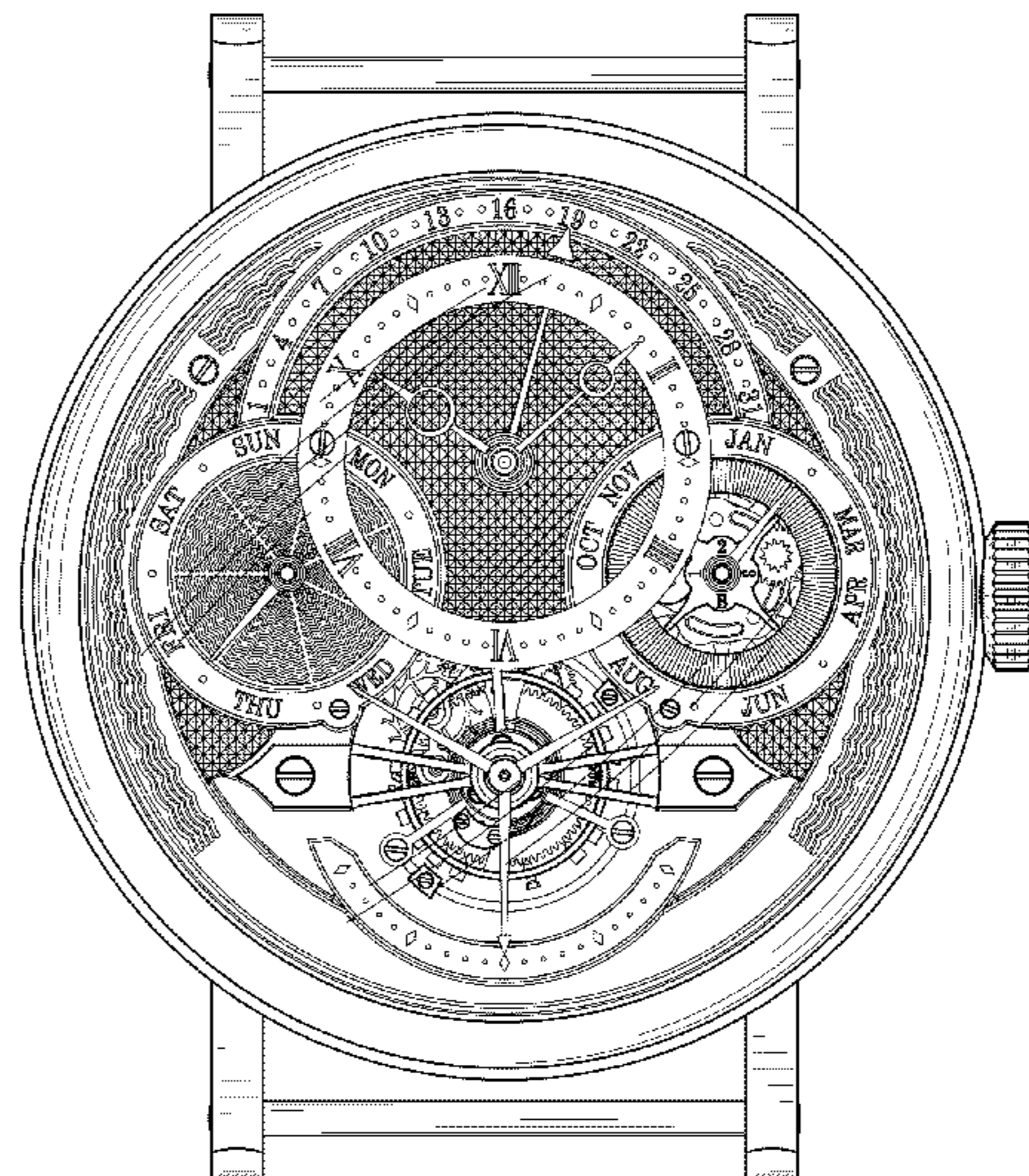
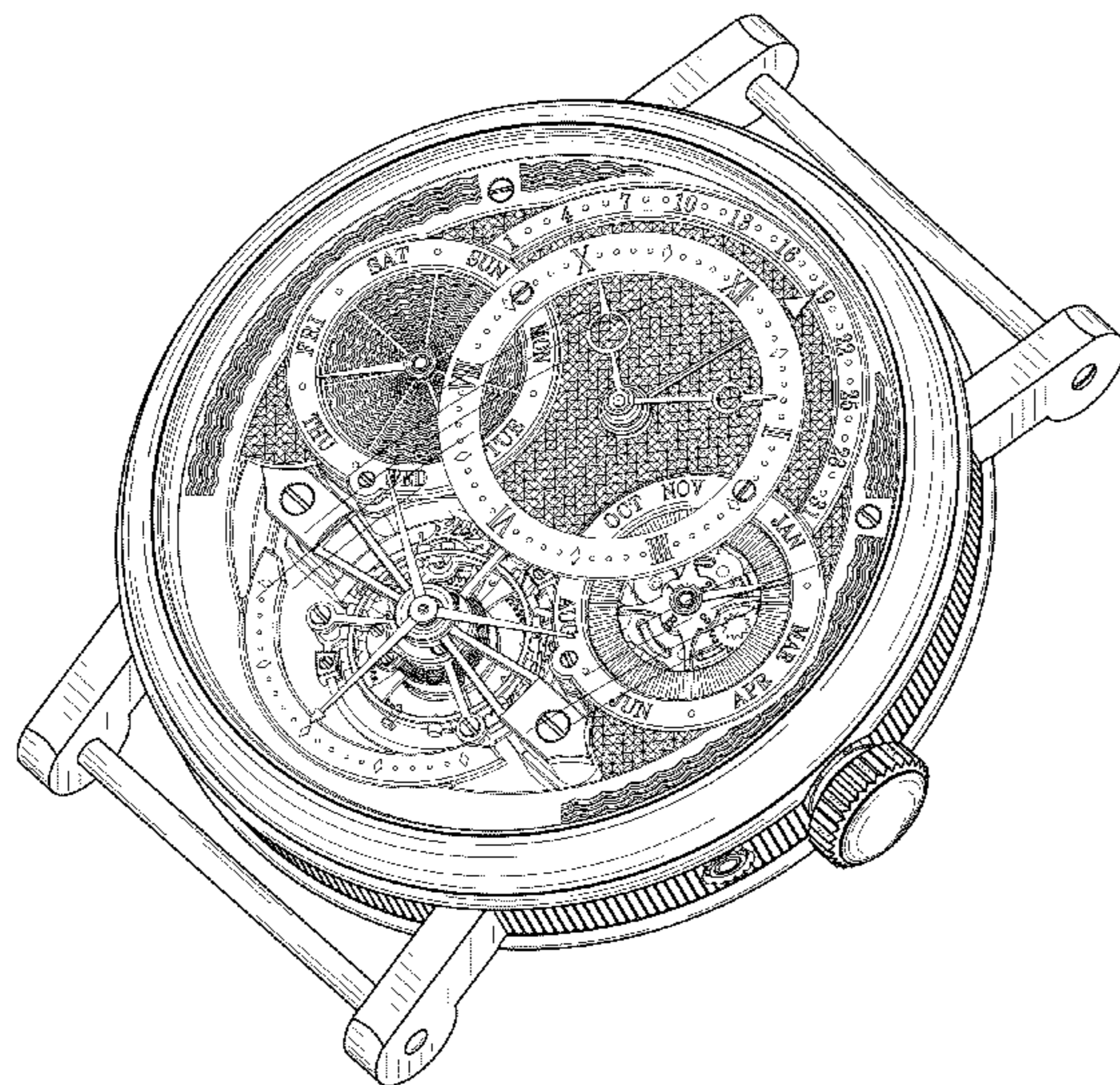
(57) **CLAIM**

The ornamental design for a watch, as shown.

DESCRIPTION

FIG. 1 is a front right perspective view of a watch showing my new design;
FIG. 2 is a rear right perspective view thereof;
FIG. 3 is a front view thereof;
FIG. 4 is a rear view thereof;
FIG. 5 is a left side view thereof;
FIG. 6 is a right side view thereof;
FIG. 7 is a top view thereof;
FIG. 8 is a bottom view thereof;
FIG. 9 is a front left perspective view thereof; and,
FIG. 10 is a rear left perspective view thereof.

1 Claim, 7 Drawing Sheets



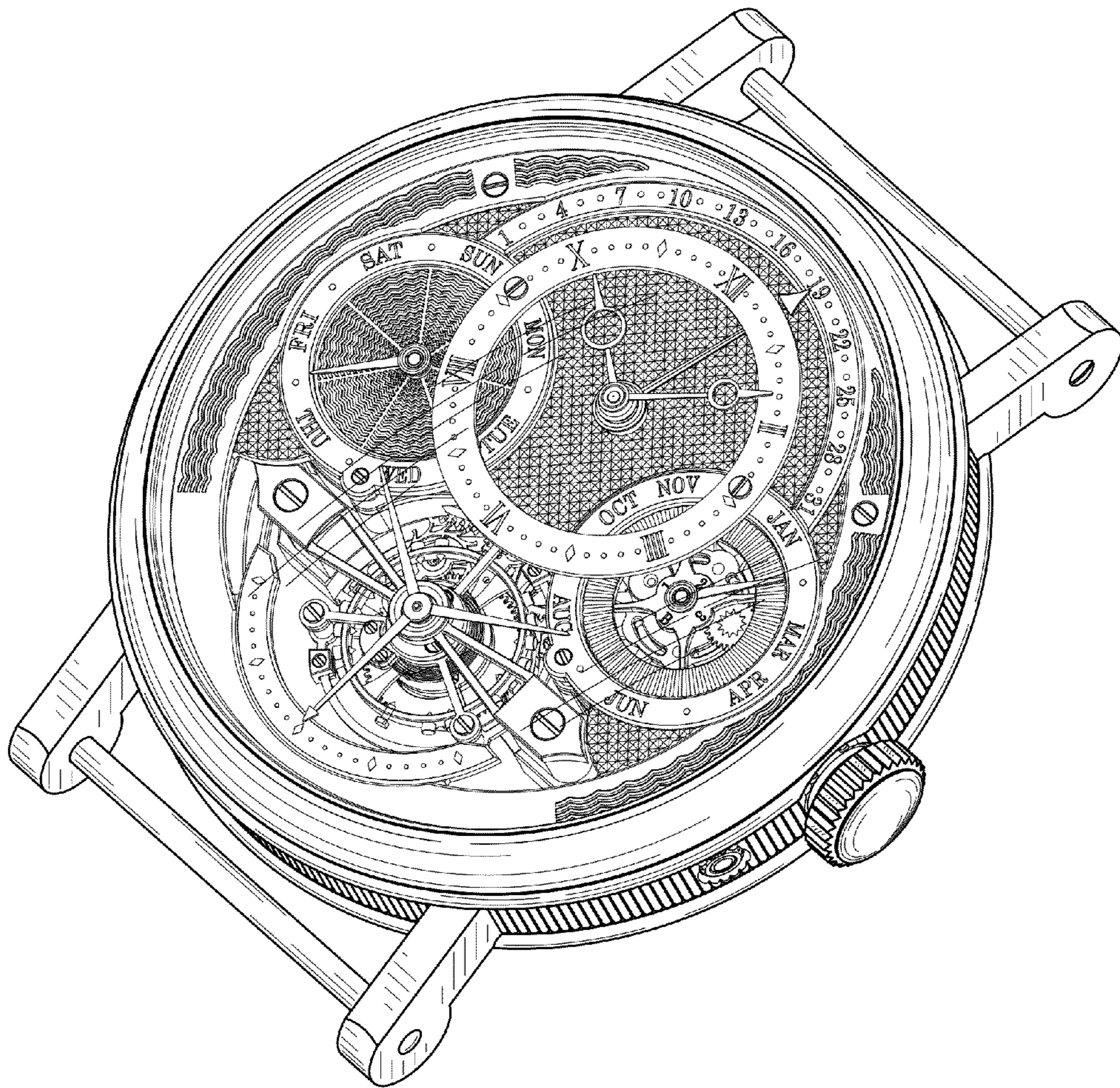


FIG. 1

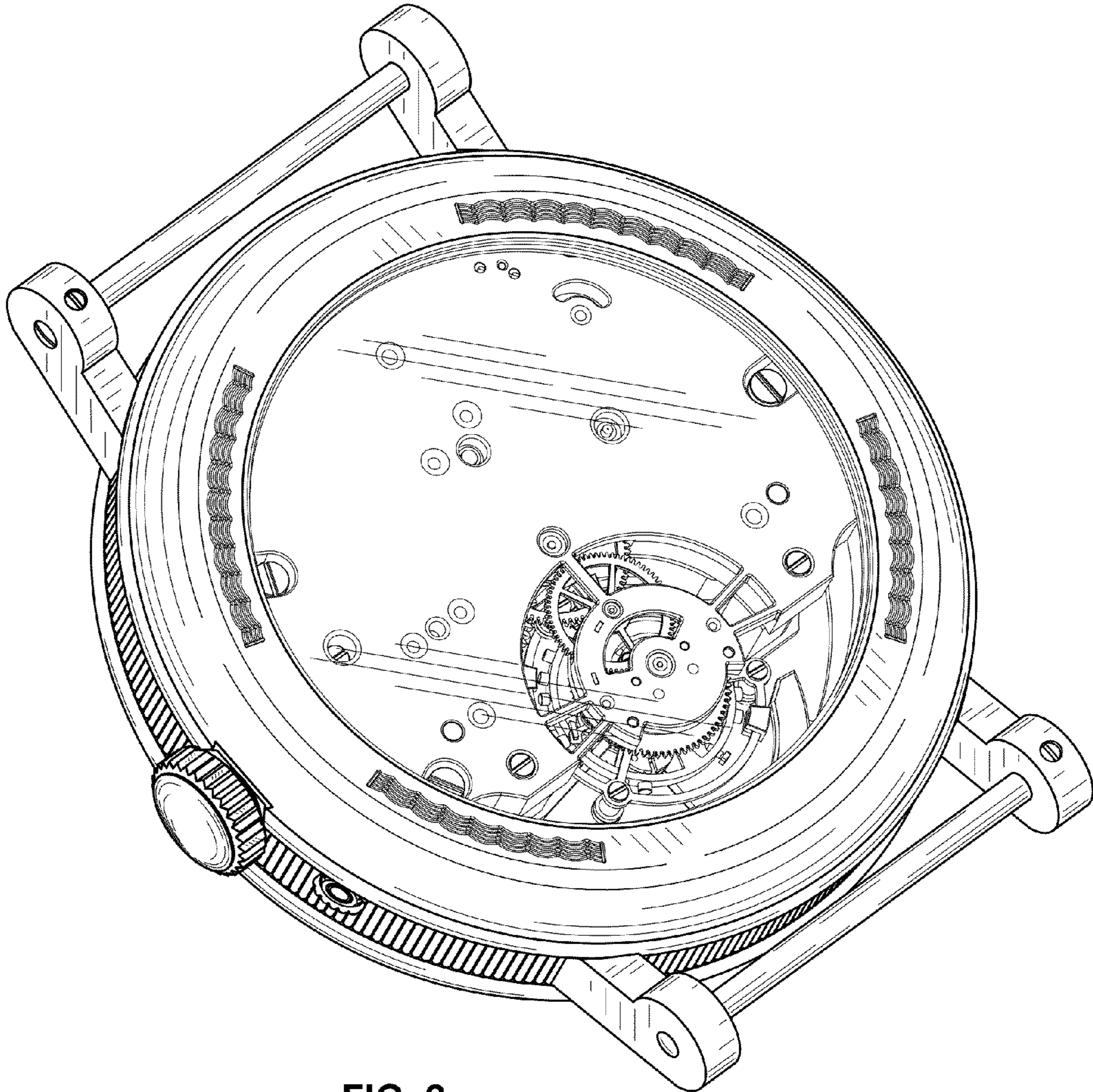


FIG. 2

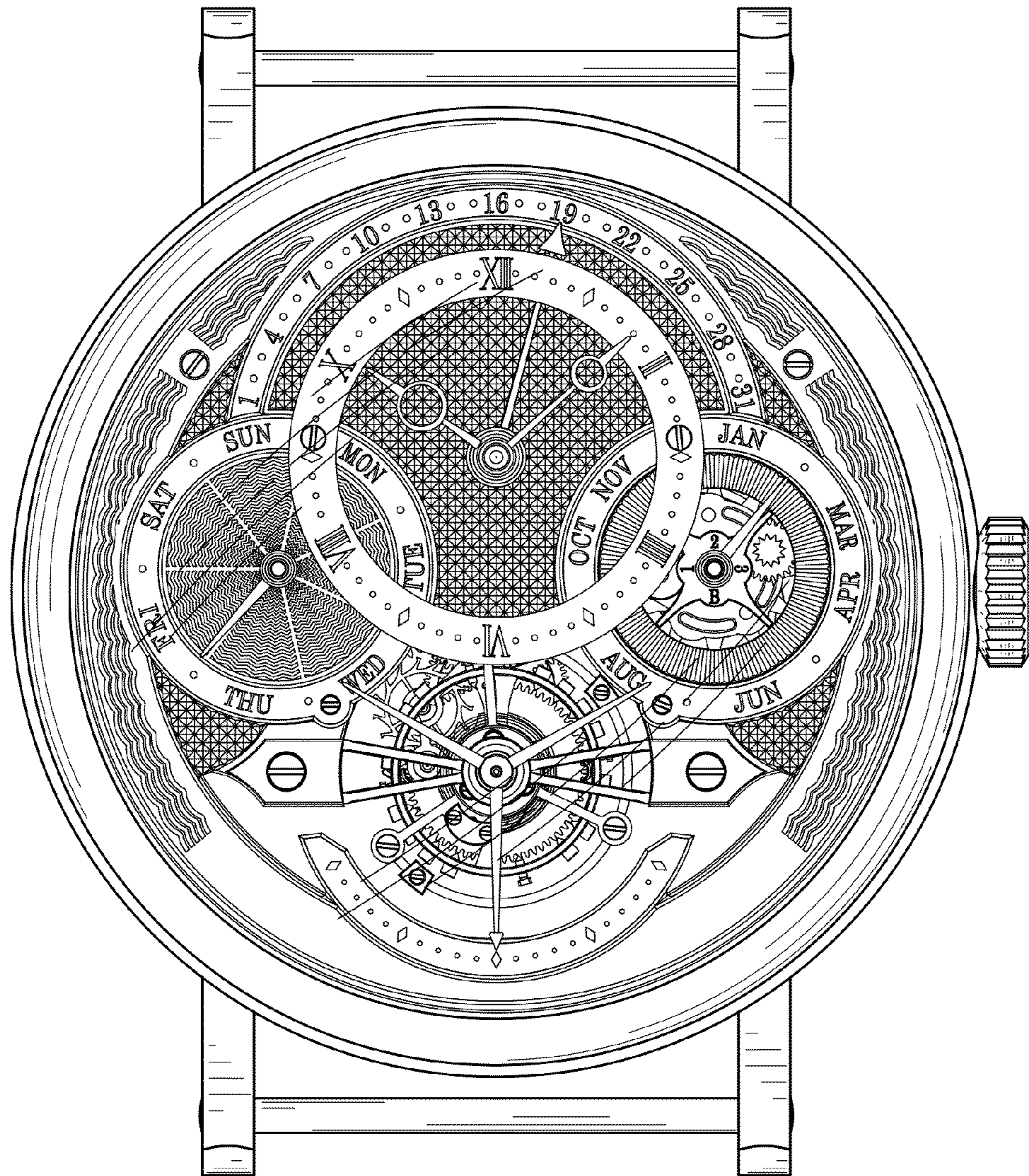


FIG. 3

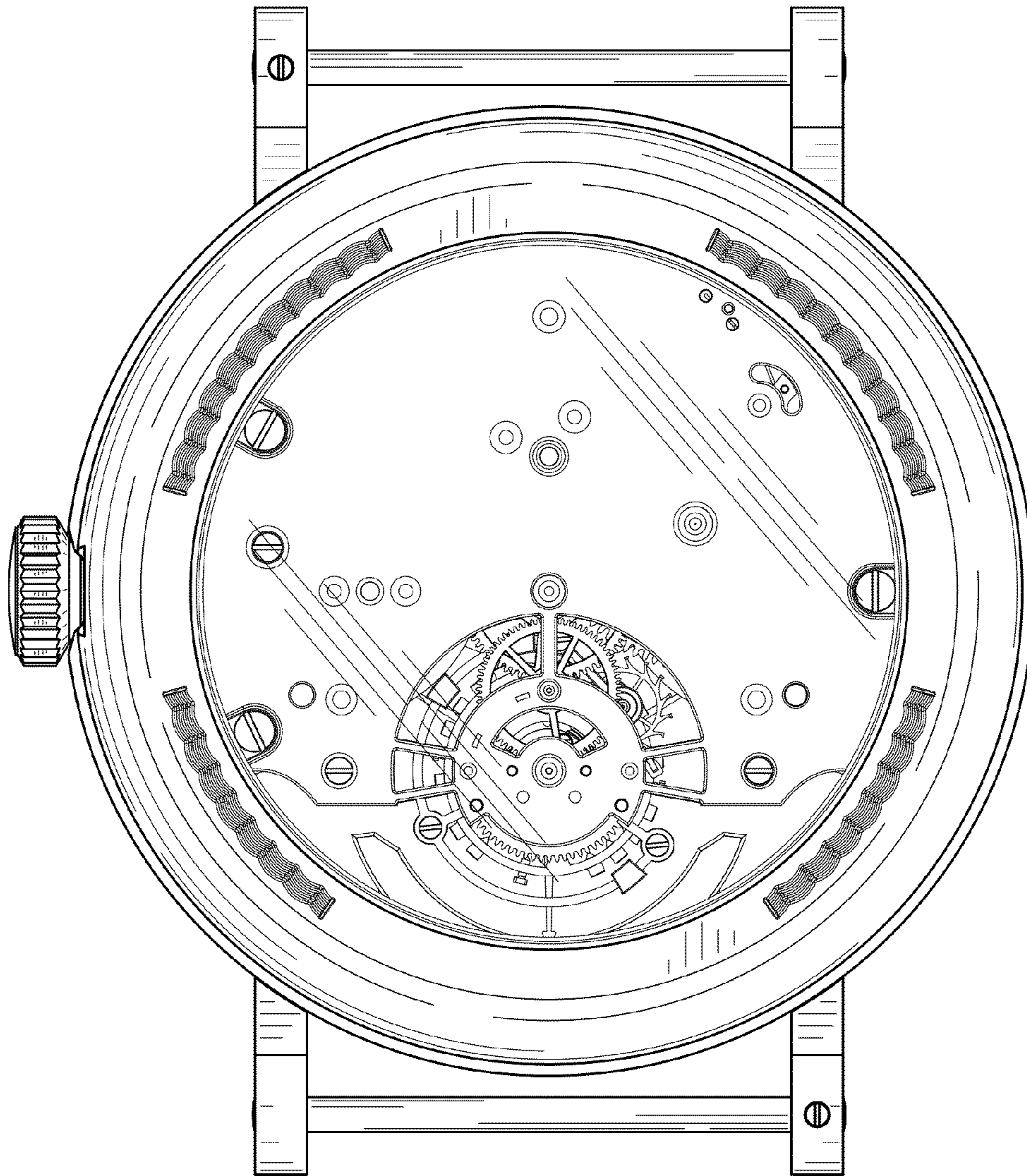


FIG. 4

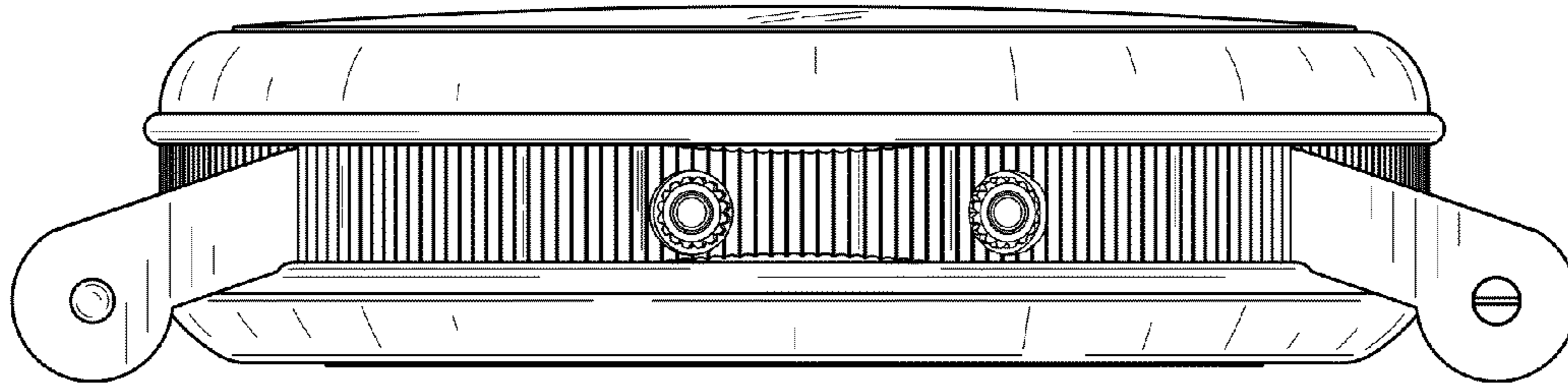


FIG. 5

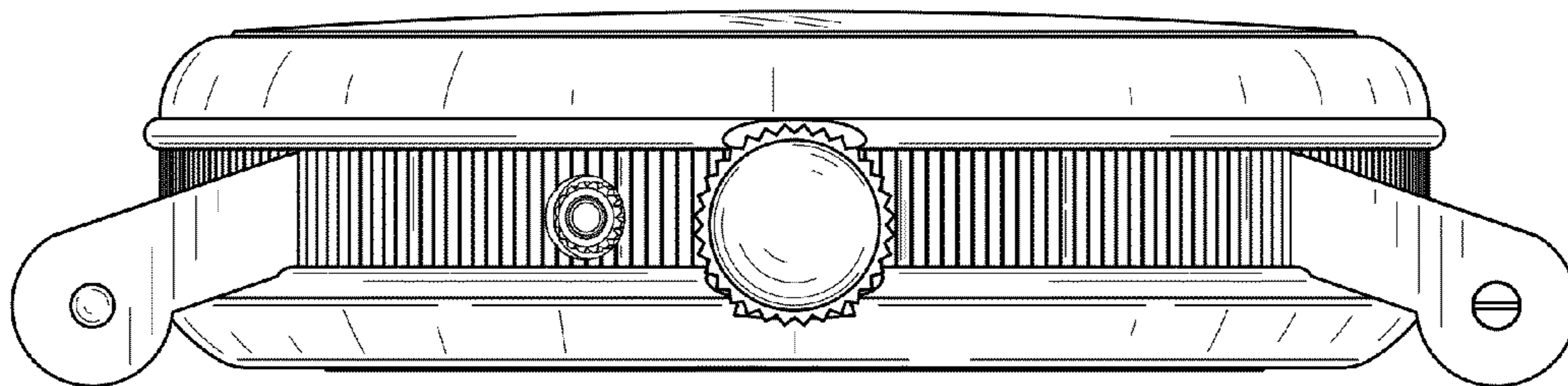


FIG. 6

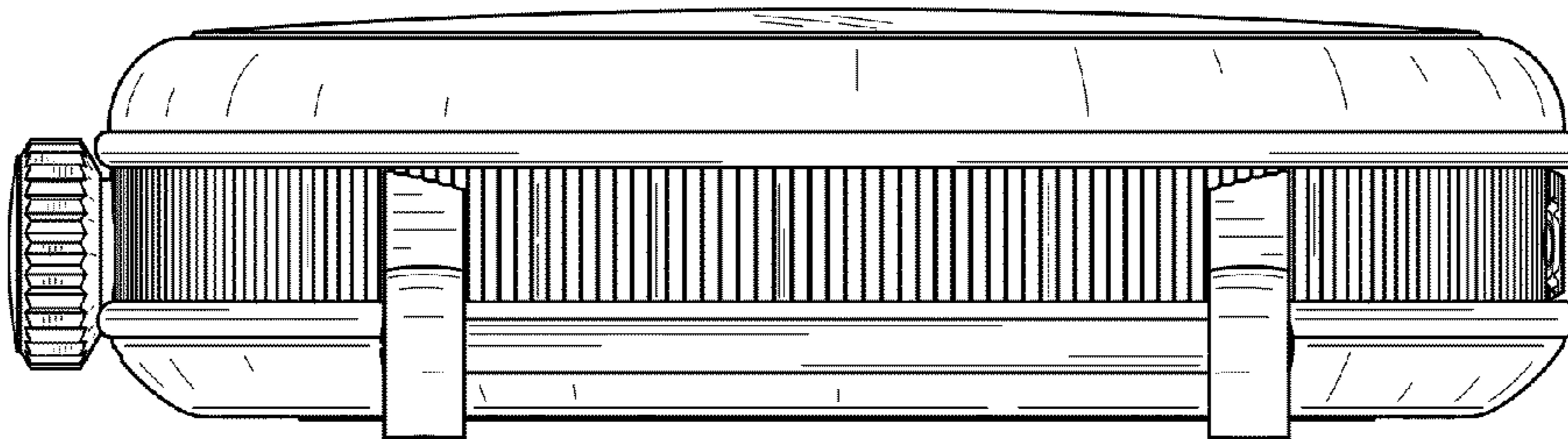


FIG. 7

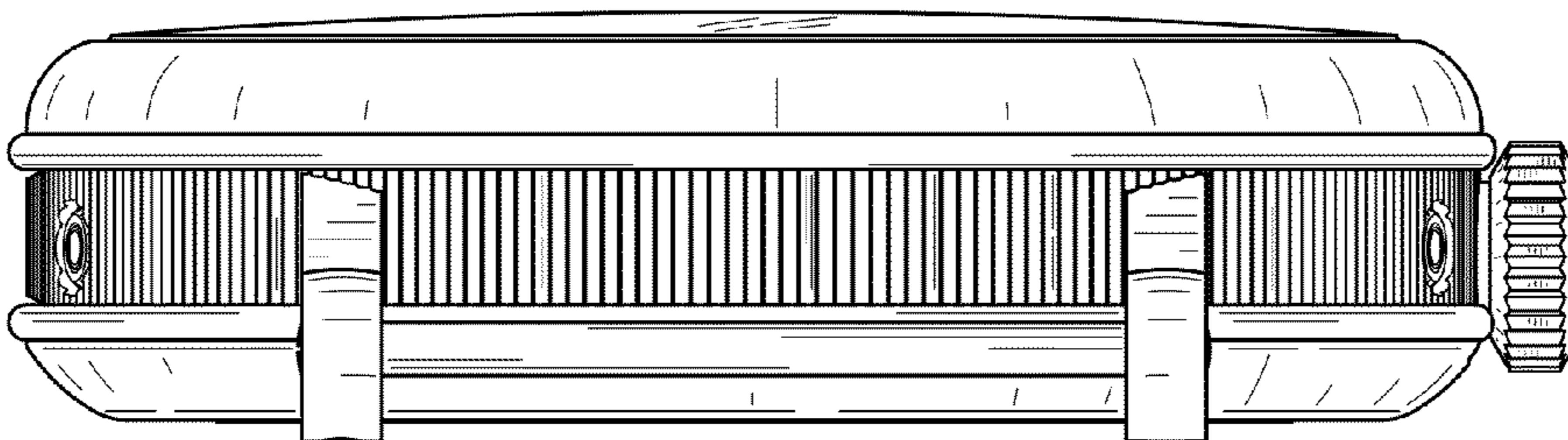


FIG. 8

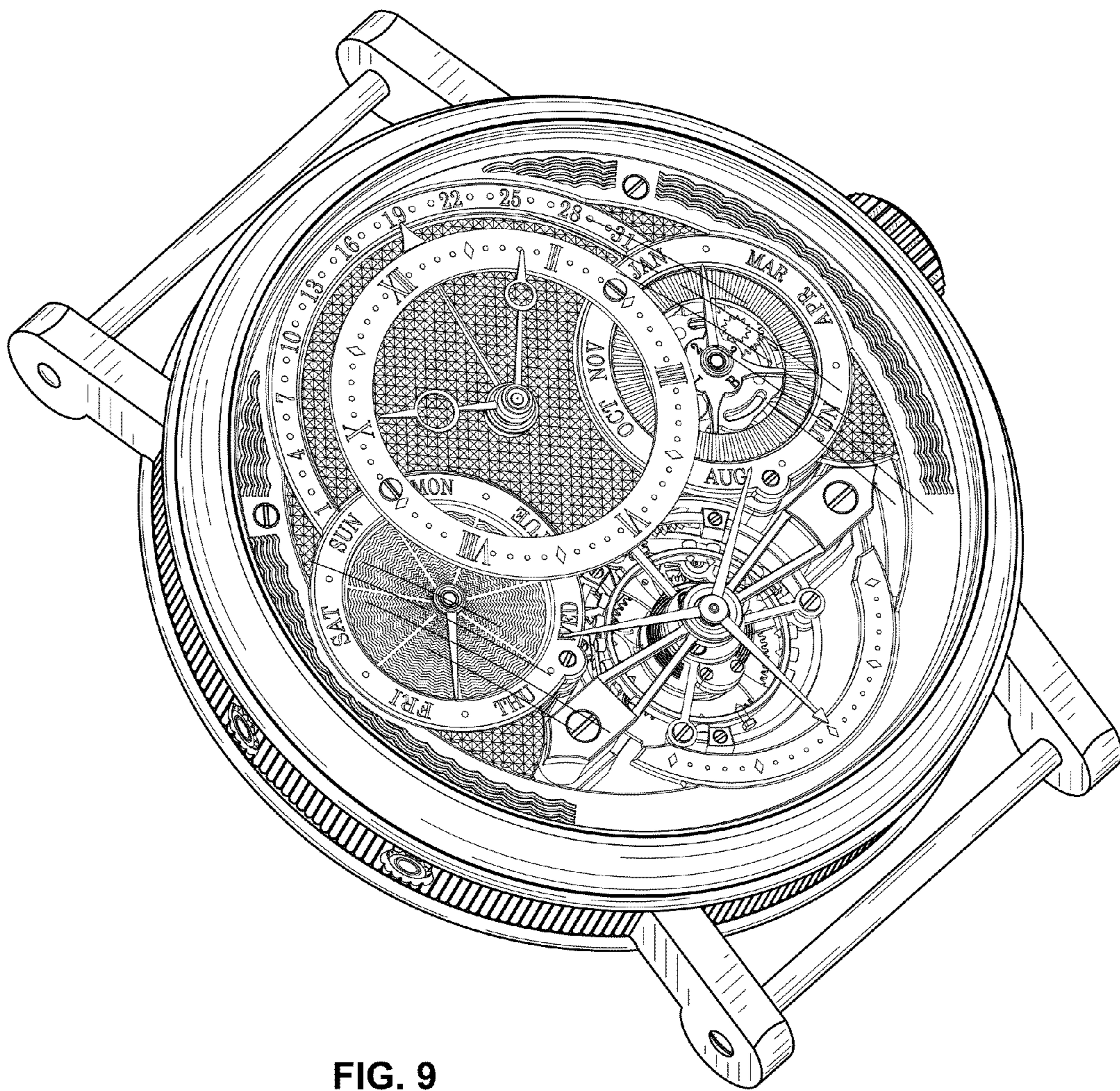


FIG. 9

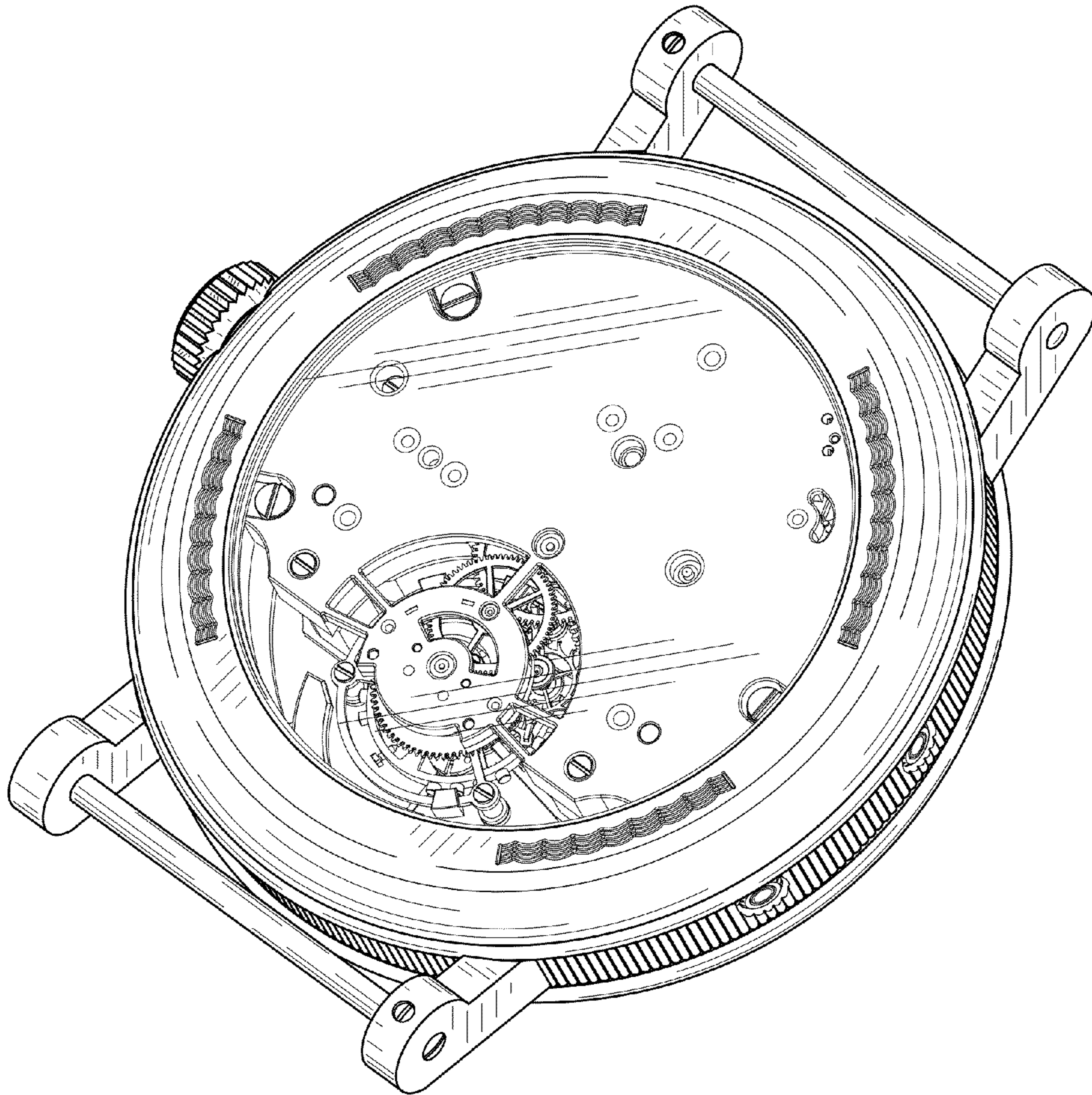


FIG. 10