



US00D727744S

(12) **United States Design Patent**  
**Rose**

(10) **Patent No.:** **US D727,744 S**  
(45) **Date of Patent:** **\*\* Apr. 28, 2015**

- (54) **HELMET-SHAPED BOTTLE**
- (71) Applicant: **Michael Rose**, Ridgefield, CT (US)
- (72) Inventor: **Michael Rose**, Ridgefield, CT (US)
- (73) Assignee: **Forsythe Cosmetic Group, Ltd.**, Freeport, NY (US)
- (\*\*) Term: **14 Years**
- (21) Appl. No.: **29/486,357**
- (22) Filed: **Mar. 28, 2014**

- D369,529 S \* 5/1996 Blankenburg et al. .... D7/625
- D382,473 S \* 8/1997 Egender ..... D7/613
- D416,799 S \* 11/1999 Adams ..... D9/451
- D663,575 S \* 7/2012 Carroll et al. .... D7/392.1
- D698,599 S \* 2/2014 Malik ..... D7/392.1
- 8,701,907 B1 \* 4/2014 Mallicoat ..... D9/451

\* cited by examiner

*Primary Examiner* — Sandra Morris

(74) *Attorney, Agent, or Firm* — Vedder Price P.C.

**Related U.S. Application Data**

- (63) Continuation-in-part of application No. 29/472,634, filed on Nov. 14, 2013.
- (51) **LOC (10) Cl.** ..... **09-01**
- (52) **U.S. Cl.**  
USPC ..... **D9/668**
- (58) **Field of Classification Search**  
CPC ..... B65D 67/00  
USPC ..... D7/514–515, 517, 519–520, 571, 599,  
D7/613, 619.2, 623, 625, 392.1; D9/600,  
D9/614, 618–619, 623, 628, 668, 441,  
D9/451; 206/457, 527; 215/381–384, 400  
See application file for complete search history.

**References Cited**

**U.S. PATENT DOCUMENTS**

- D314,492 S \* 2/1991 Weller et al. .... D7/623
- D327,817 S \* 7/1992 Paullin ..... D7/515
- D330,857 S \* 11/1992 Kidd ..... D9/451
- D337,242 S \* 7/1993 Steinfels, III ..... D7/623
- D344,659 S \* 3/1994 Hsu ..... D7/613
- D349,216 S \* 8/1994 Steinfels, III ..... D7/623
- D369,114 S \* 4/1996 Davidov ..... D7/514

(57) **CLAIM**

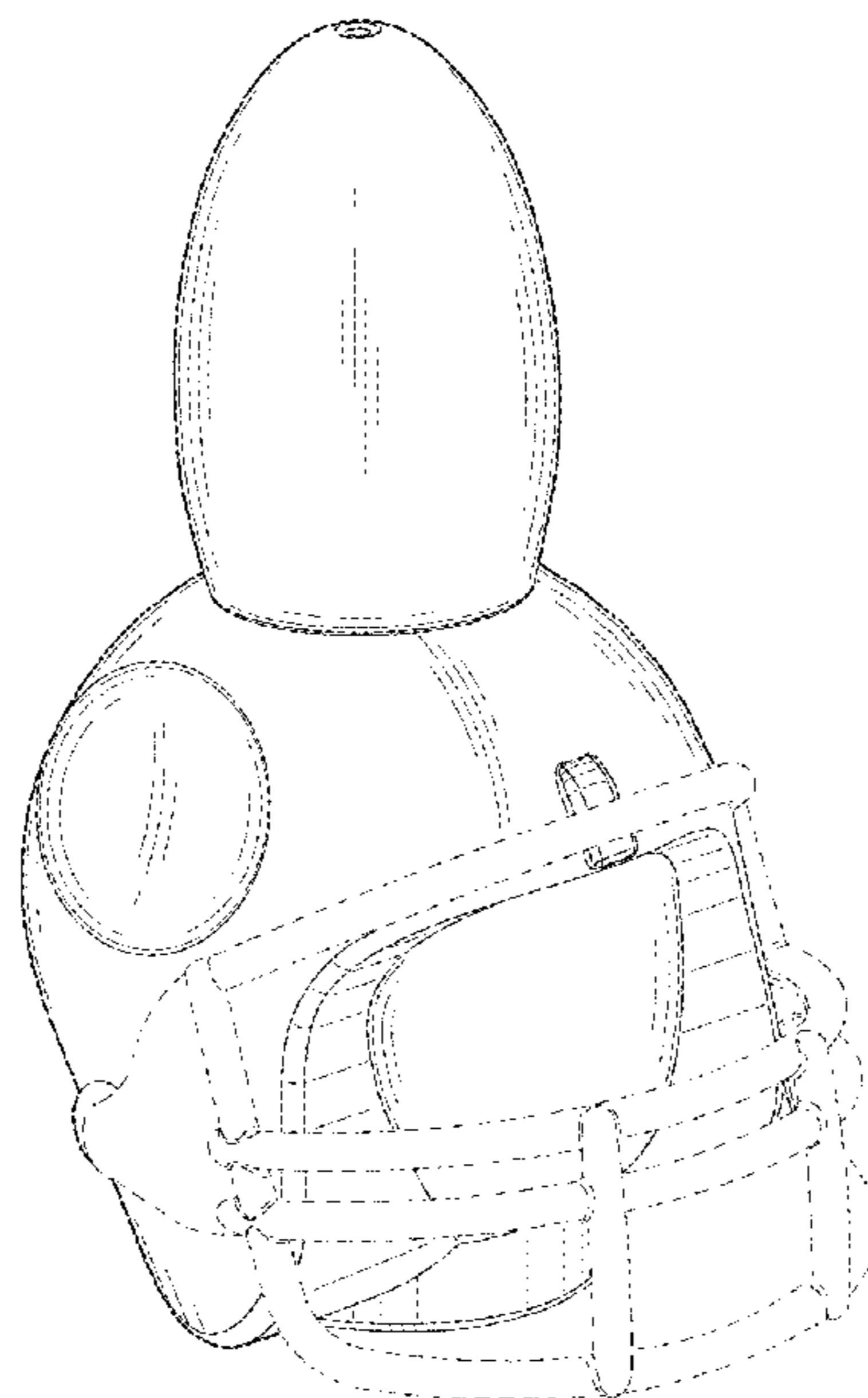
The ornamental design of the helmet-shaped bottle, as shown and described.

**DESCRIPTION**

FIG. 1 is a perspective view of the helmet-shaped bottle; FIG. 2 is a side view of the helmet-shaped bottle of FIG. 1, the other side view being a mirror image thereof; FIG. 3 is a front view of the helmet-shaped bottle of FIG. 1; FIG. 4 is a rear view of the helmet-shaped bottle of FIG. 1; FIG. 5 is a top view of the helmet-shaped bottle of FIG. 1; FIG. 6 is a bottom view of the helmet-shaped bottle of FIG. 1; FIG. 7 is a perspective view of an alternative embodiment of the helmet-shaped bottle; FIG. 8 is a side view of the helmet-shaped bottle of FIG. 7, the other side view being a mirror image thereof; FIG. 9 is a front view of the helmet-shaped bottle of FIG. 7; FIG. 10 is a rear view of the helmet-shaped bottle of FIG. 7; FIG. 11 is a top view of the helmet-shaped bottle of FIG. 7; and, FIG. 12 is a bottom view of the helmet-shaped bottle of FIG. 7.

The broken line portions of the drawings are for illustrative purposes only and form no part of the claimed design.

**1 Claim, 6 Drawing Sheets**



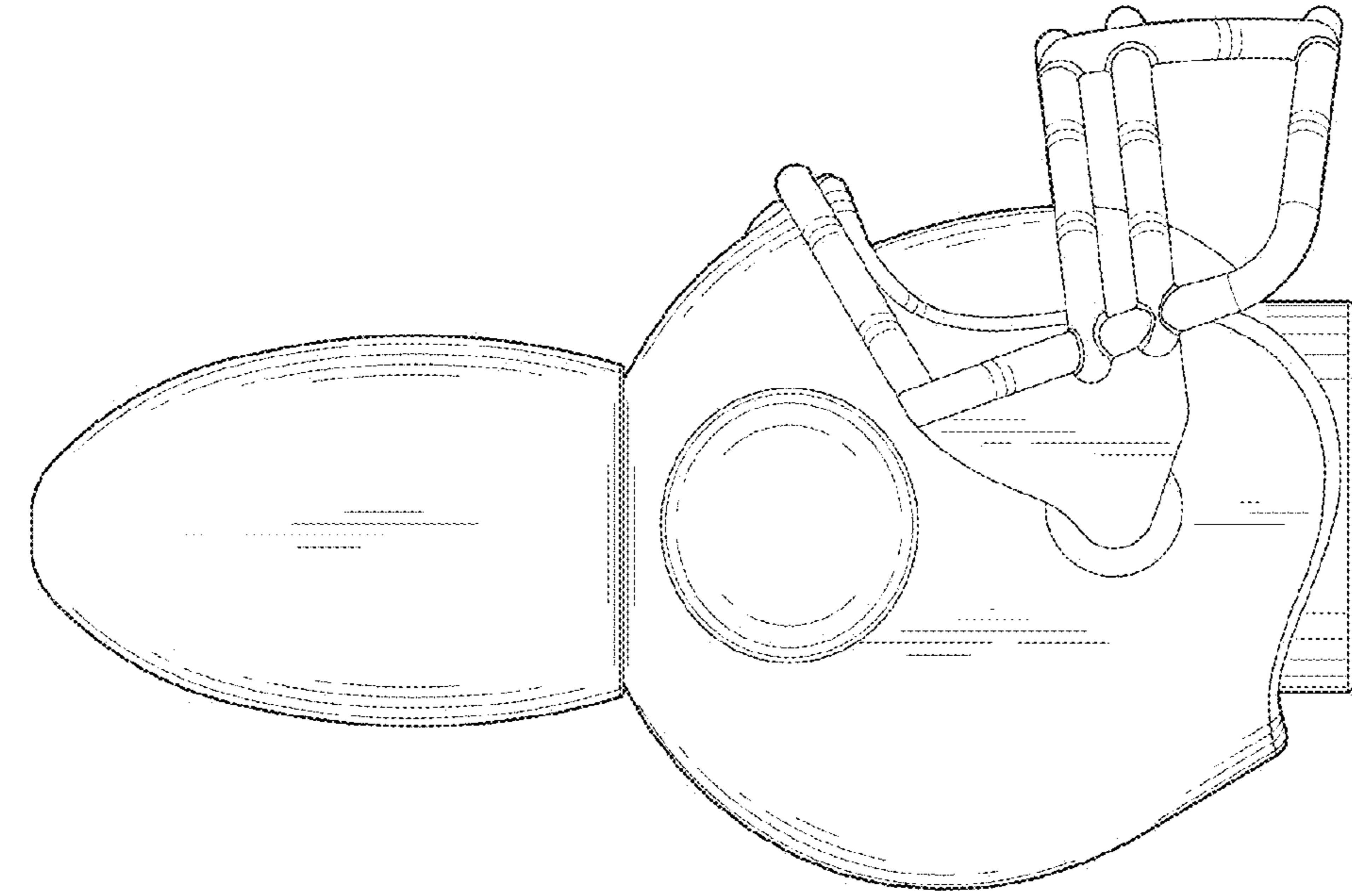


FIG. 2

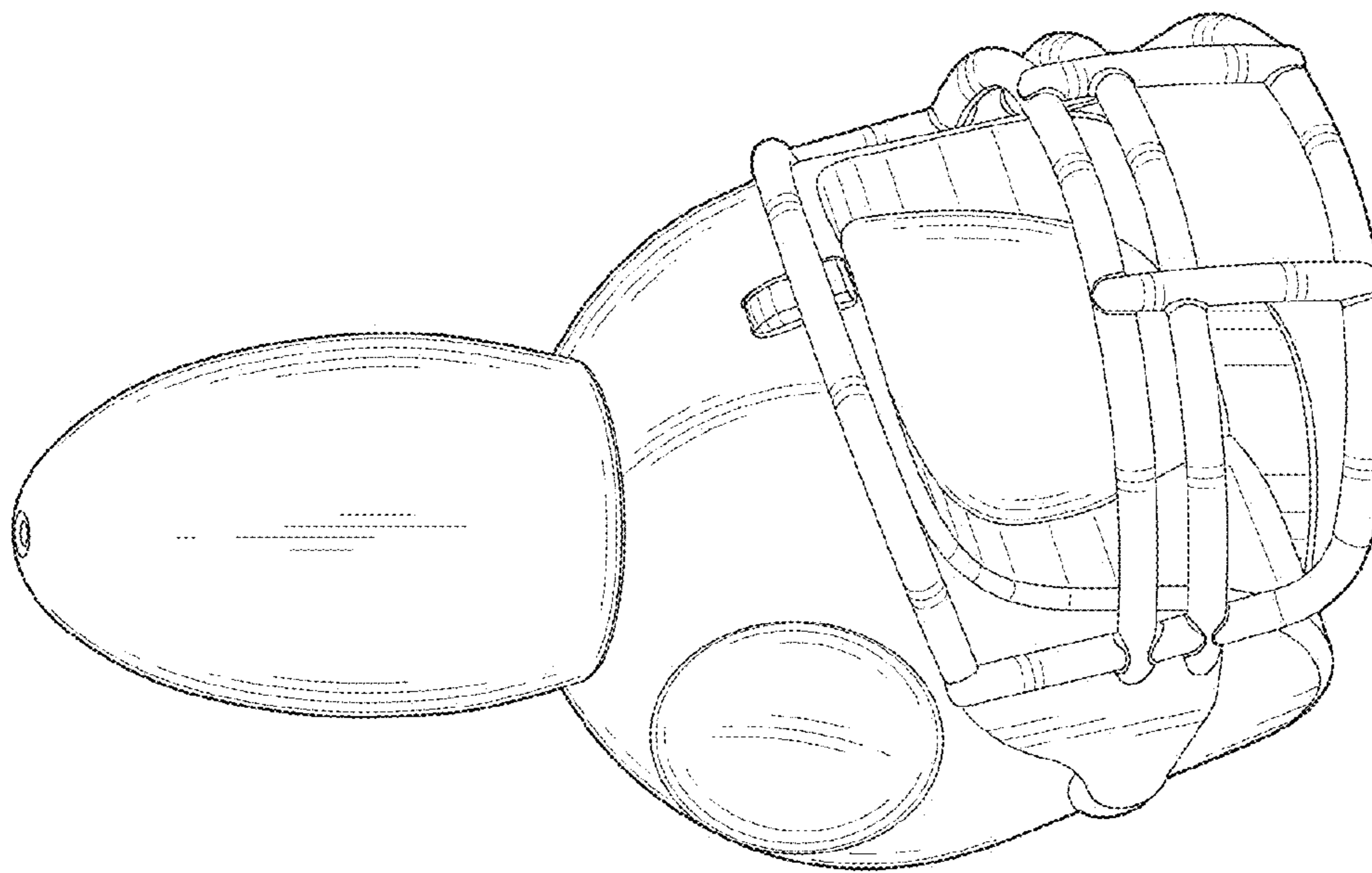


FIG. 1

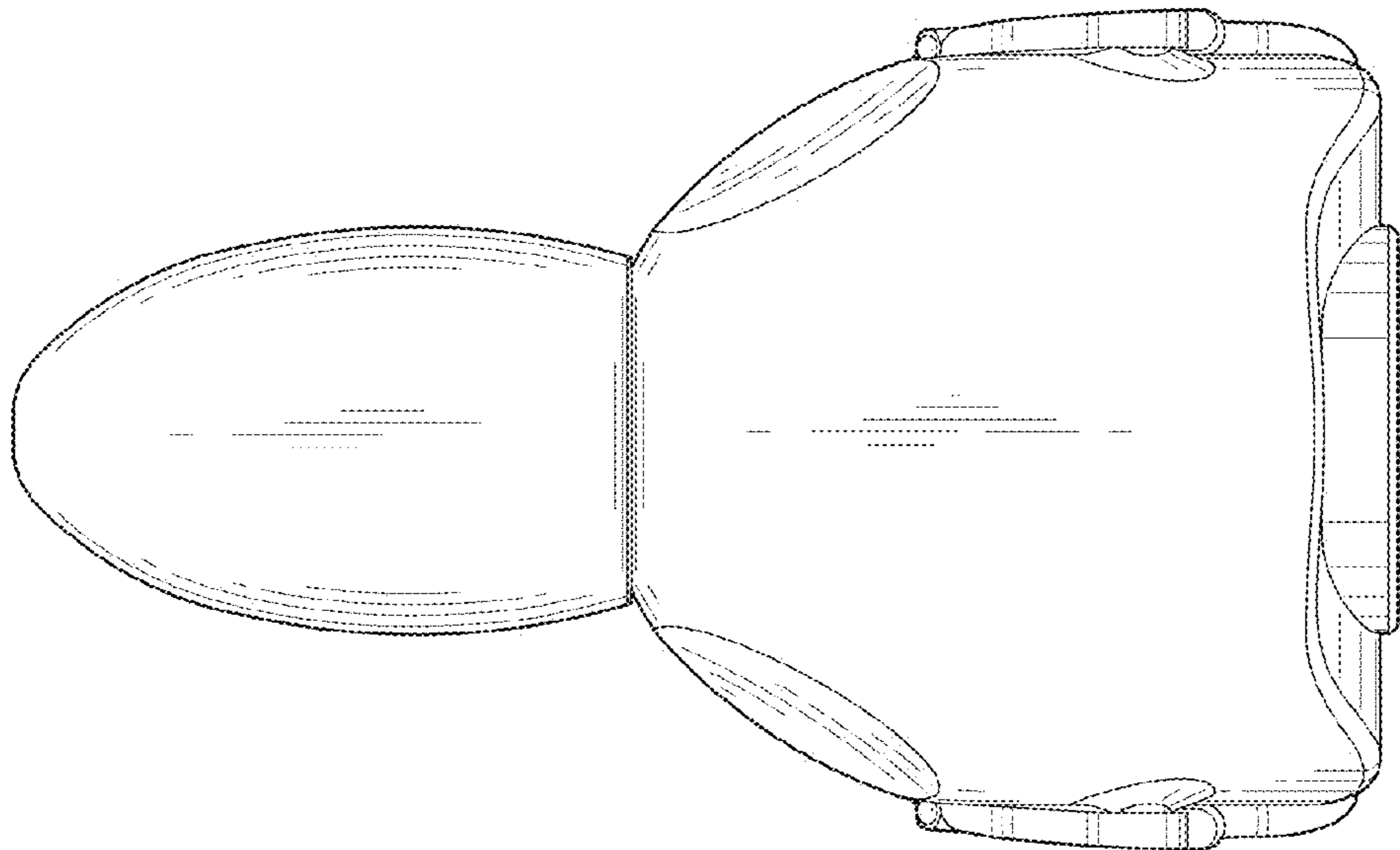


FIG. 4

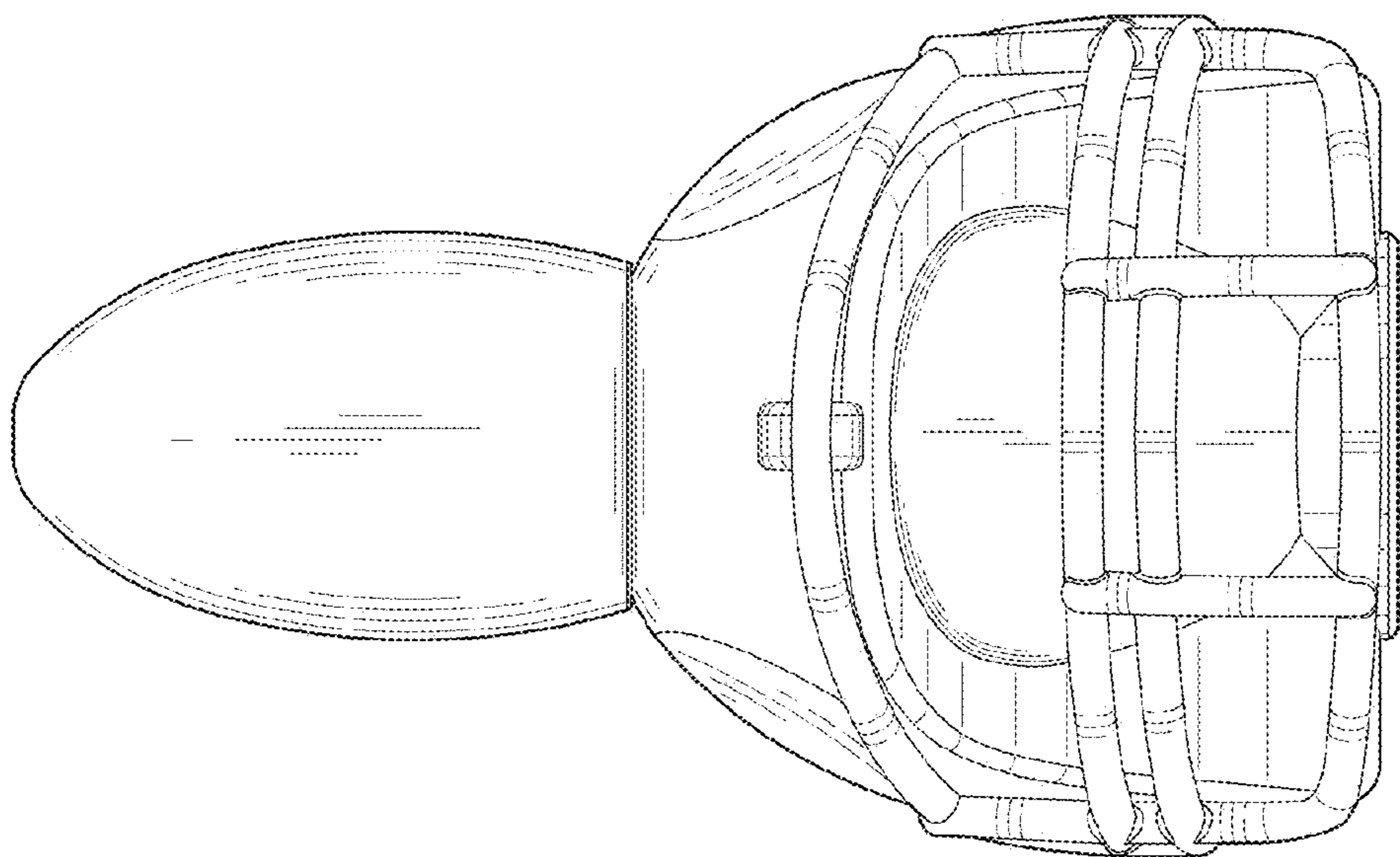


FIG. 3

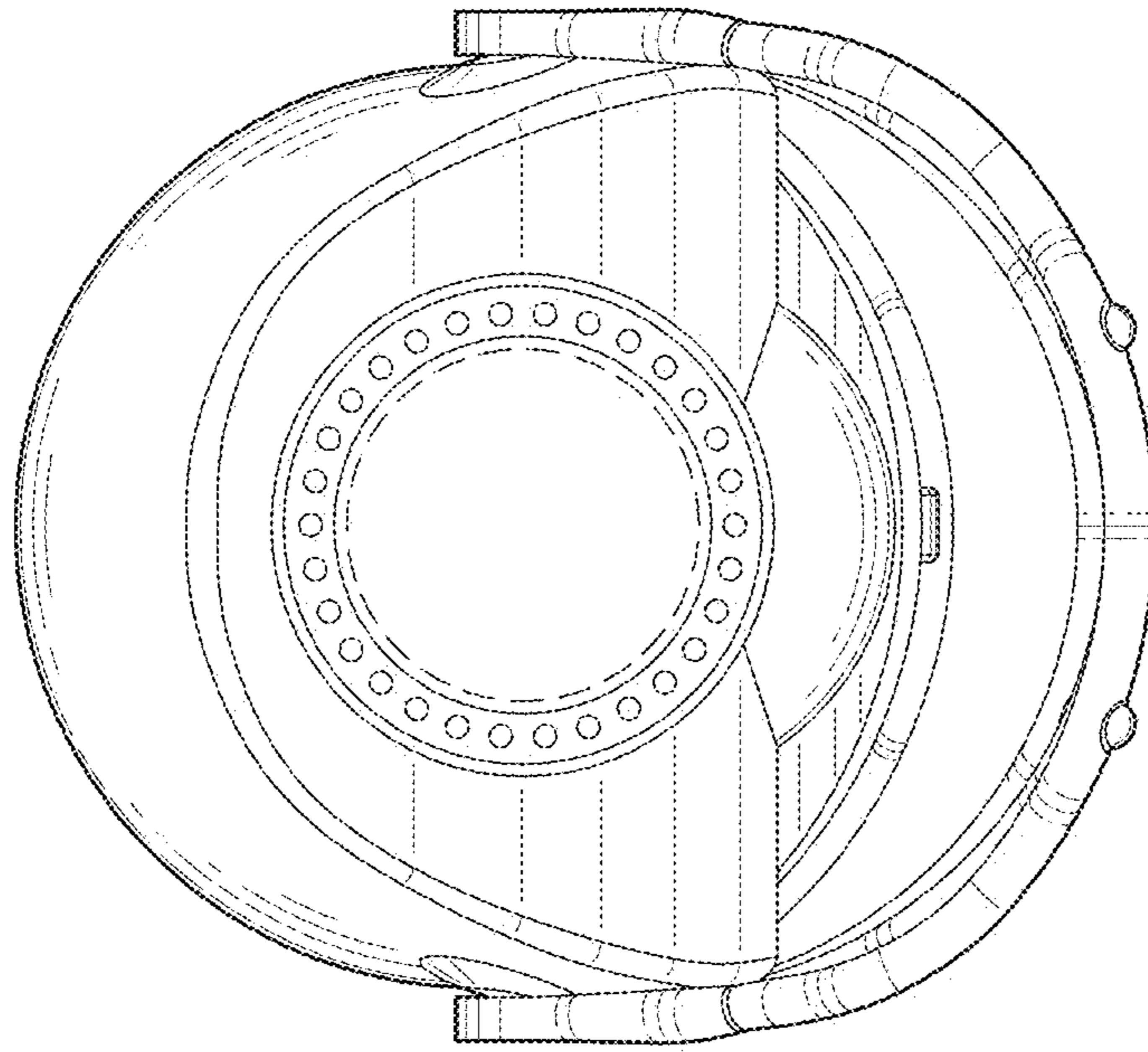


FIG. 6

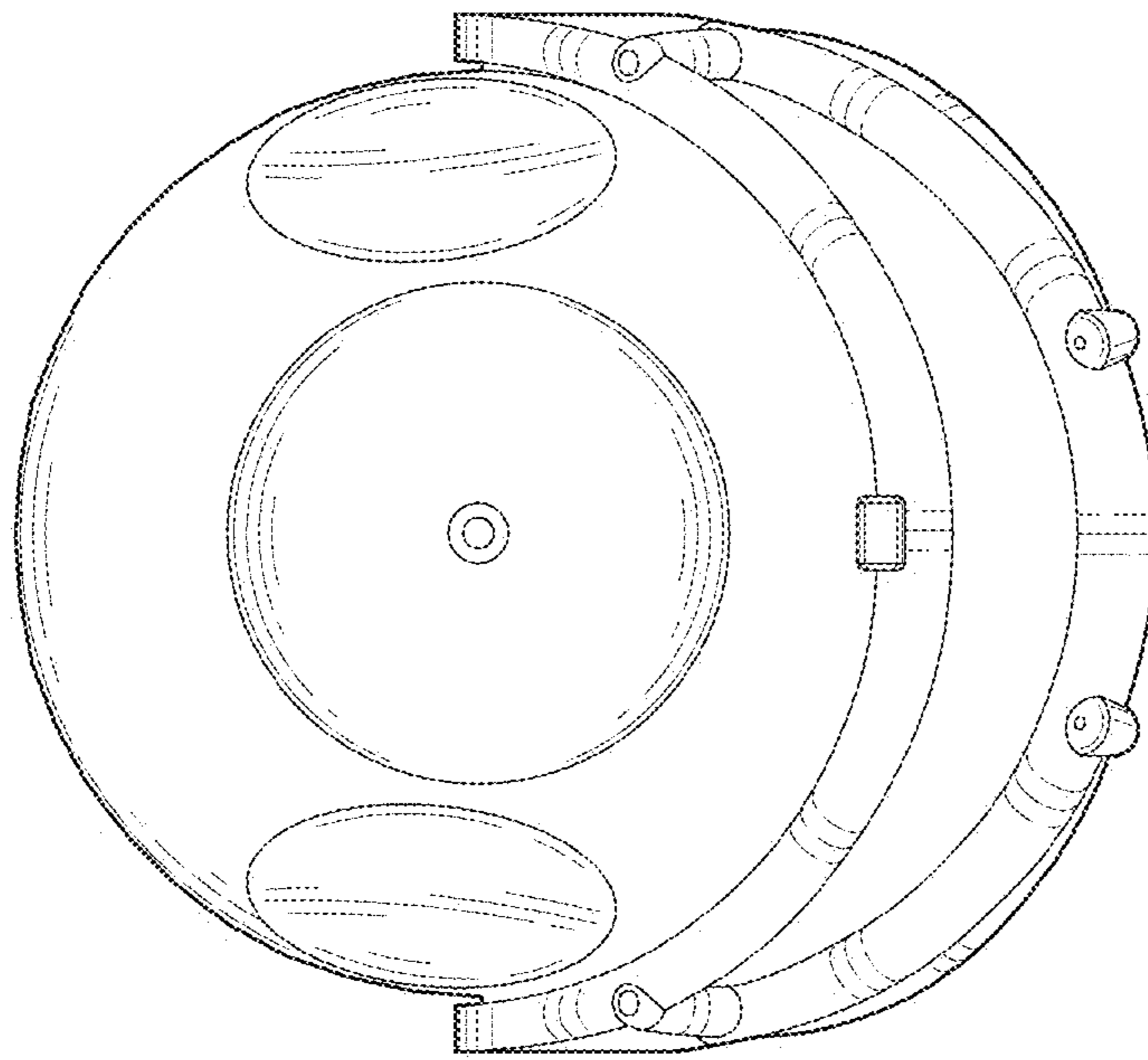


FIG. 5

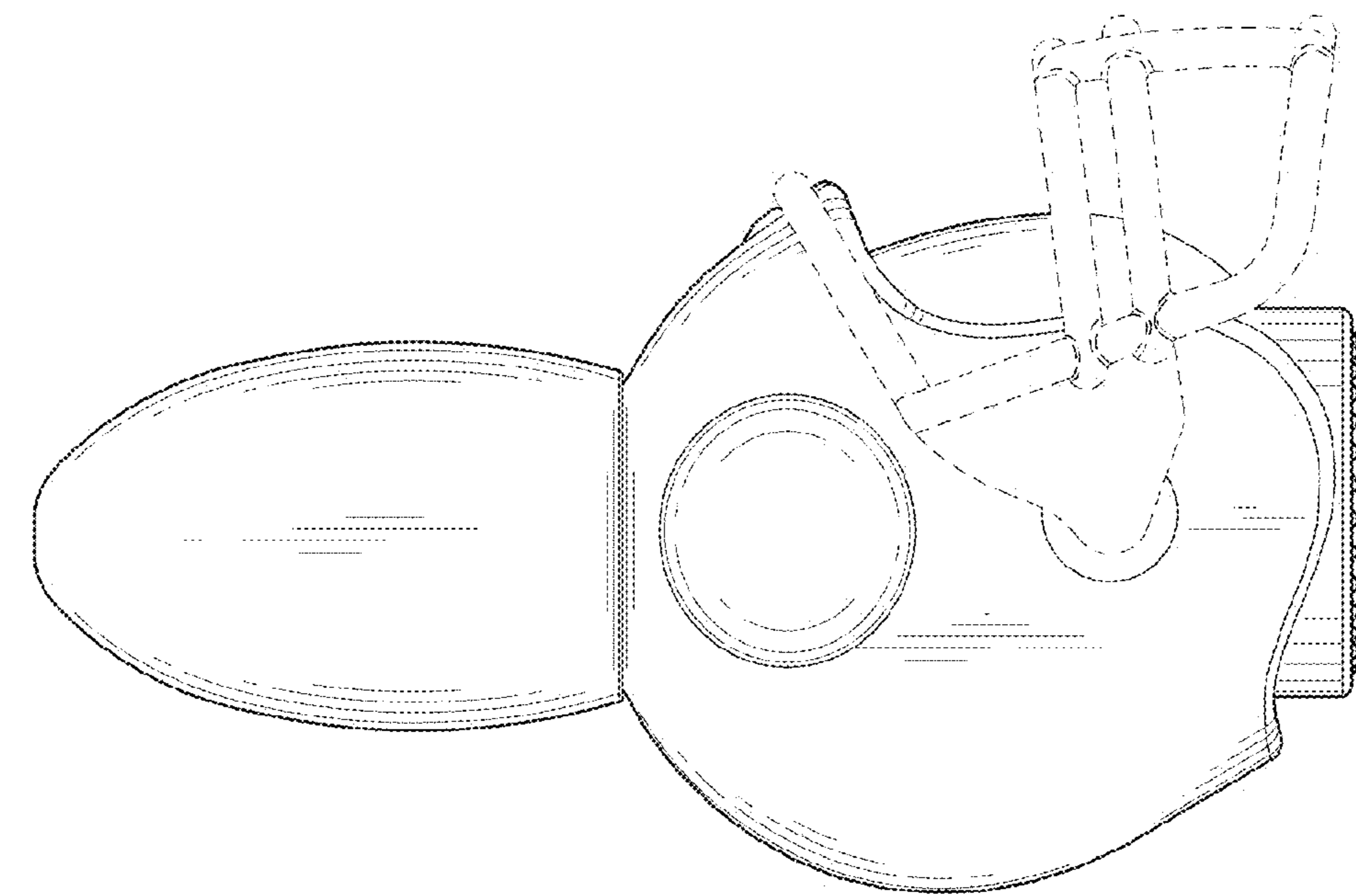


FIG. 7

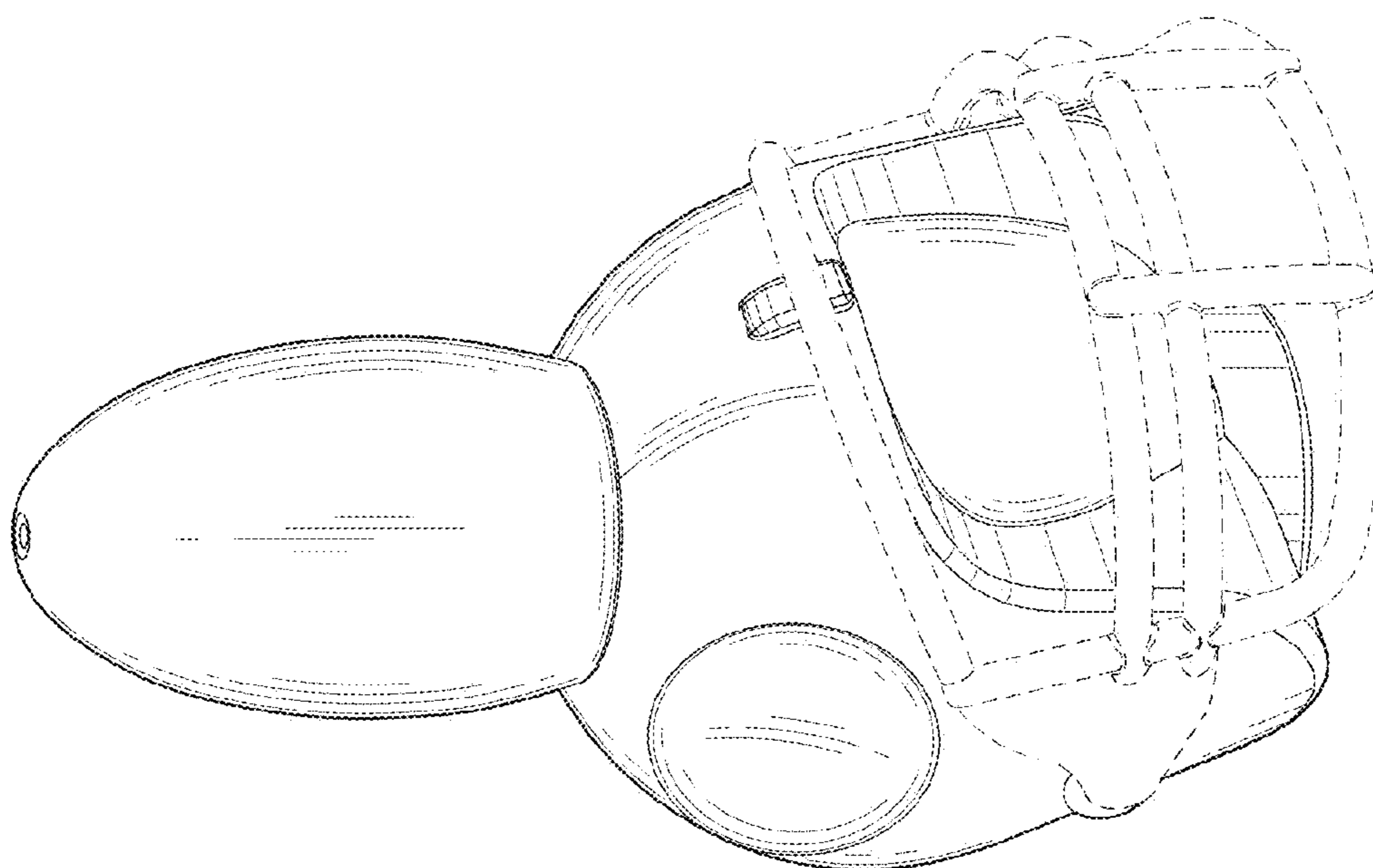


FIG. 8

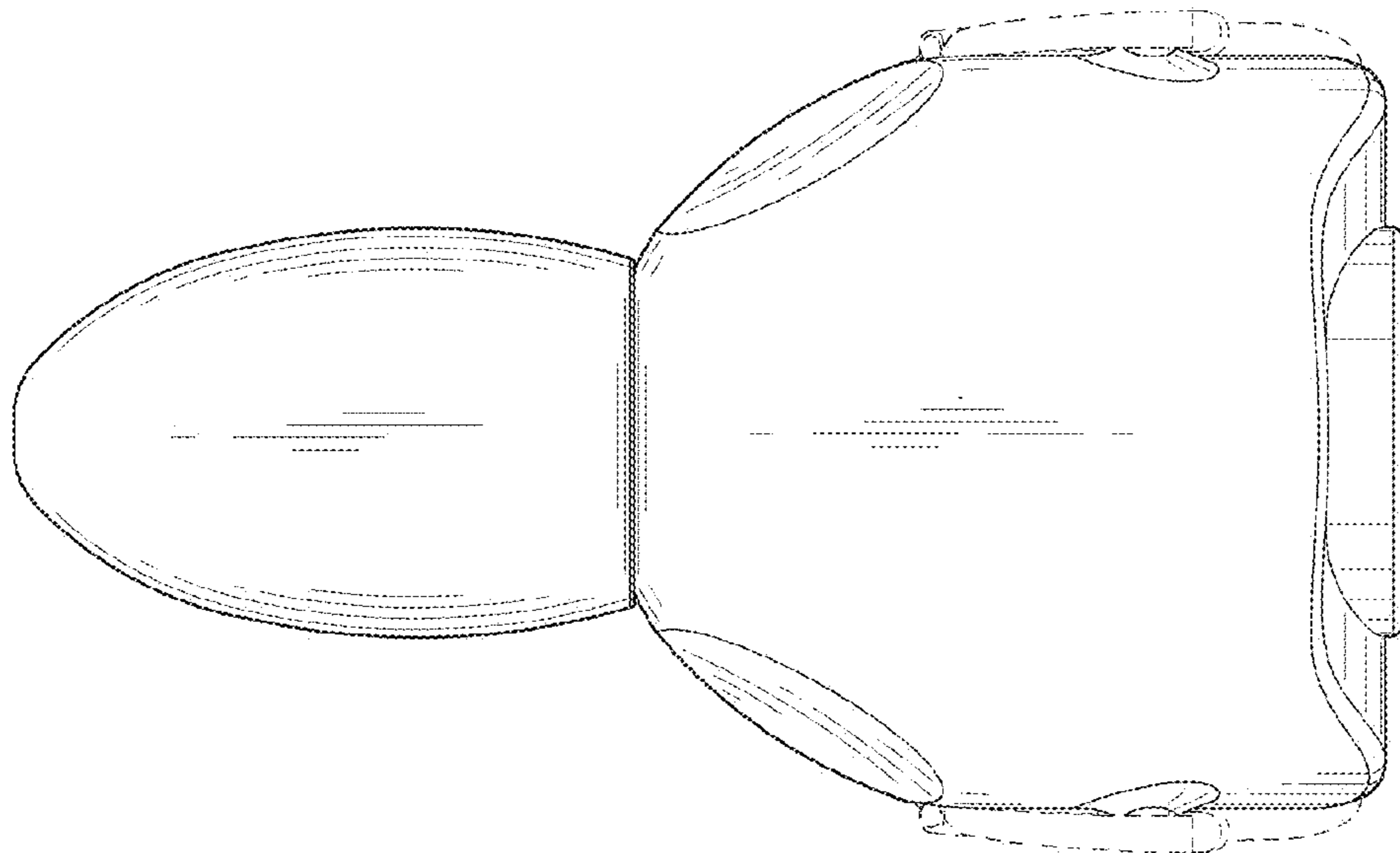


FIG. 10

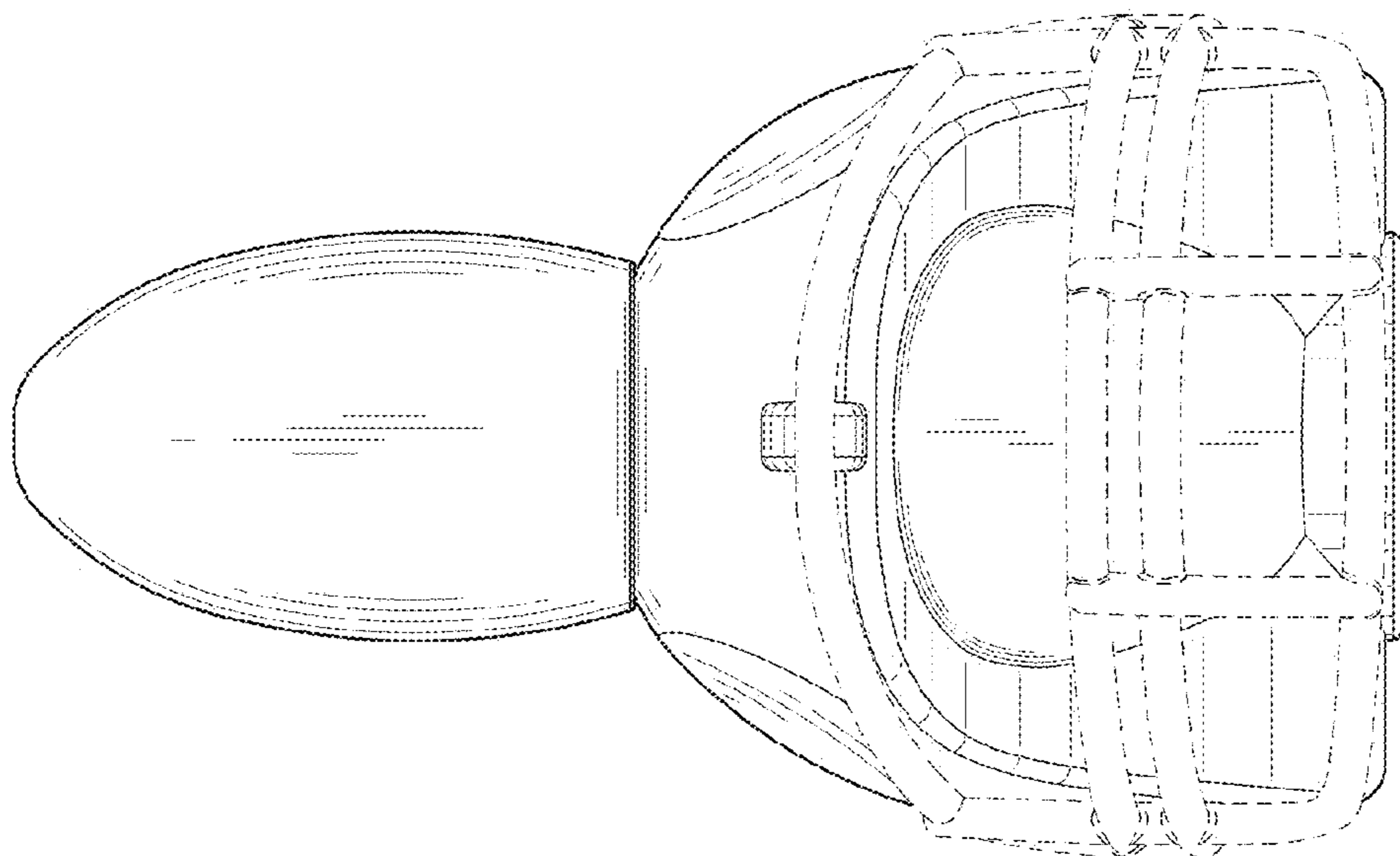


FIG. 9

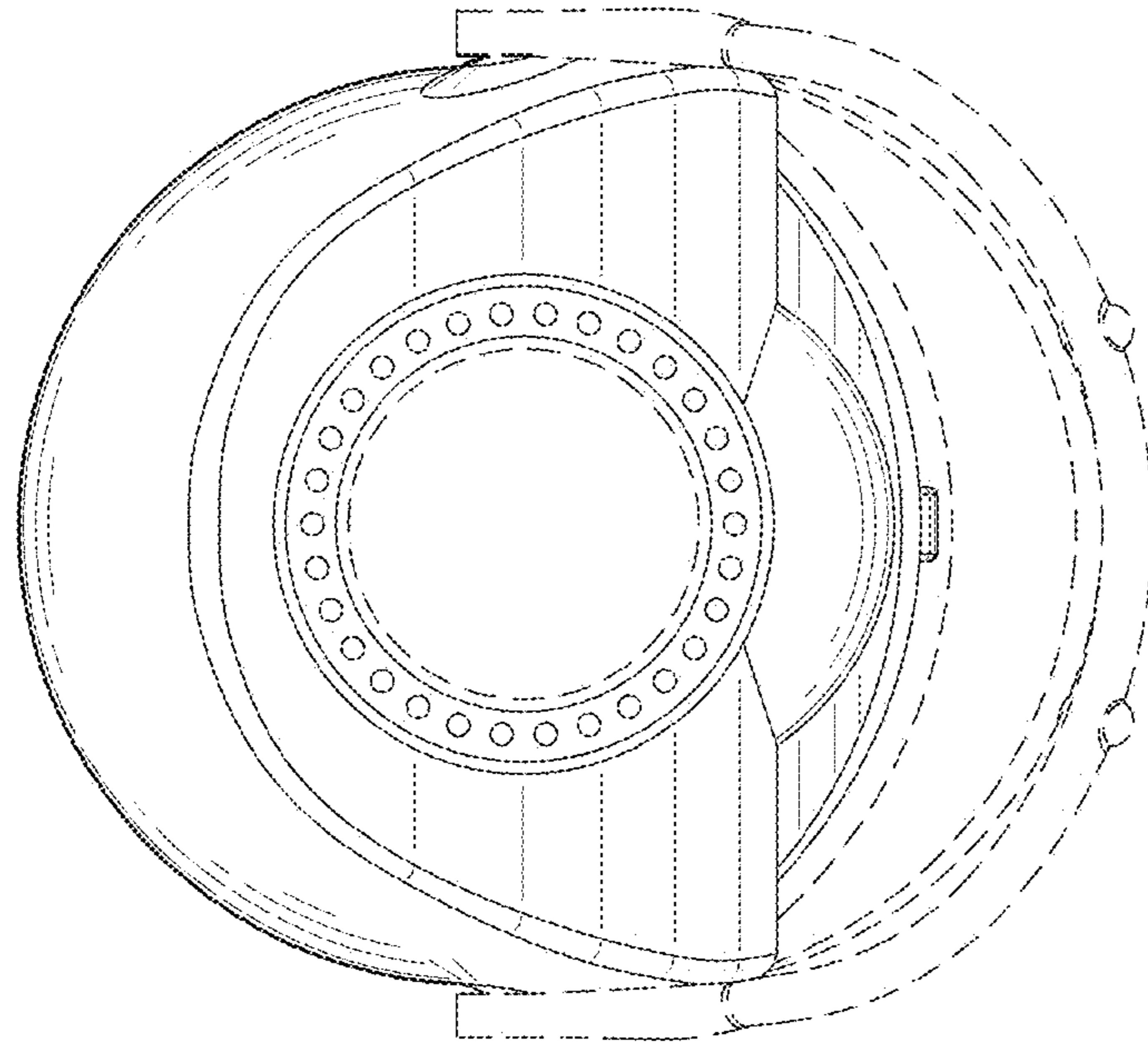


FIG. 11

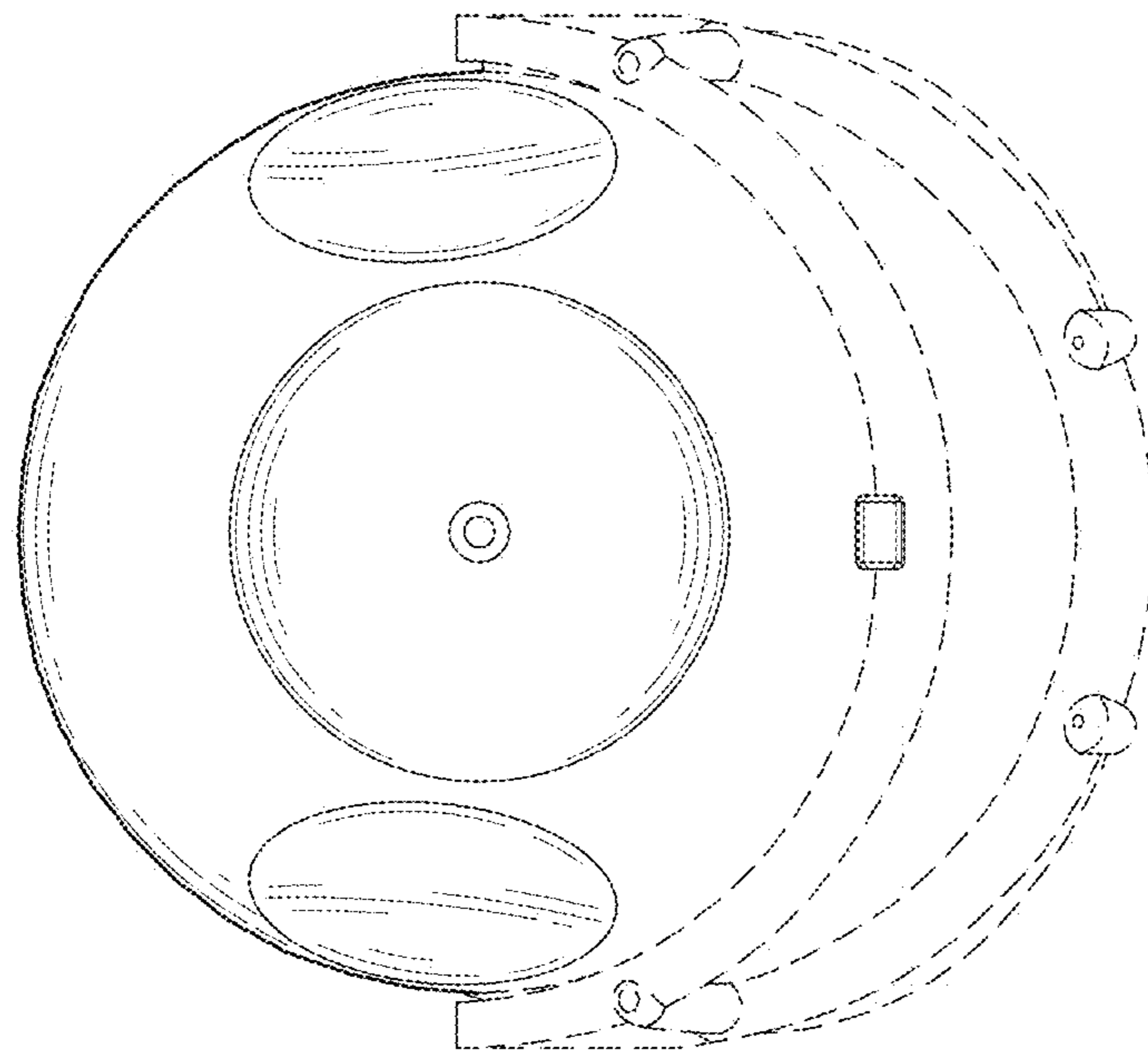


FIG. 12