



US00D727734S

(12) **United States Design Patent**
Kwak et al.

(10) **Patent No.:** **US D727,734 S**
(45) **Date of Patent:** **** Apr. 28, 2015**

(54) **TRAY FOR PACKAGING BOX**

(71) Applicant: **Samsung Electronics Co., Ltd.**,
Suwon-si (KR)

(72) Inventors: **Ji-Hee Kwak**, Seoul (KR); **Il-Kyoung Kim**, Suwon-si (KR); **Eun Ae Shally Lee**, Seoul (KR); **Da-Hee Heo**, Yongin-si (KR)

(73) Assignee: **Samsung Electronics Co., Ltd.**,
Suwon-si (KR)

(**) Term: **14 Years**

(21) Appl. No.: **29/472,659**

(22) Filed: **Nov. 14, 2013**

(30) **Foreign Application Priority Data**

May 15, 2013 (KR) 30-2013-0025621

(51) **LOC (10) Cl.** **09-07**

(52) **U.S. Cl.**
USPC **D9/456**

(58) **Field of Classification Search**

CPC B65D 11/00; B65D 11/10; B65D 11/18

USPC D3/30.5; D9/433, 434, 456, 499, 760;
220/4.22, 4.28, 4.29; 49/397; D8/323

See application file for complete search history.

(56) **References Cited**

U.S. PATENT DOCUMENTS

2,311,960	A *	2/1943	Parsons	217/65
2,990,588	A *	7/1961	McKinley	52/143
3,962,827	A *	6/1976	Chaffee	49/384
D249,455	S *	9/1978	Tilley	D8/323
D263,370	S *	3/1982	Bisbing	D8/323
D512,299	S *	12/2005	Libert et al.	D8/323
D512,897	S *	12/2005	Franchini	D8/323
D562,108	S *	2/2008	Pester et al.	D8/323

D605,492	S *	12/2009	De Leone	D8/323
D623,041	S *	9/2010	Ayrest	D8/327
D639,140	S *	6/2011	Bergmann	D8/343
D647,779	S *	11/2011	Caffin et al.	D8/323

* cited by examiner

Primary Examiner — Robert M Spear

(74) *Attorney, Agent, or Firm* — NSIP Law

(57) **CLAIM**

The ornamental design for a tray for packaging box, as shown and described.

DESCRIPTION

FIG. 1 is a front perspective view of a tray for packaging box showing our new design;

FIG. 2 is a front view thereof;

FIG. 3 is a rear view thereof;

FIG. 4 is a left-side view thereof;

FIG. 5 is a right-side view thereof;

FIG. 6 is a top view thereof;

FIG. 7 is a bottom view thereof;

FIG. 8 is a rear perspective view thereof;

FIG. 9 is another front perspective view thereof, in which additional sides are provided in broken lines and wherein two sides are provided in a partially folded position to illustrate an example environment;

FIG. 10 is another front perspective view of FIG. 9, in which the two sides are in a folded position and a third side is in a partially folded position to illustrate an example environment;

FIG. 11 is another front perspective view of FIG. 9 in which all four sides are provided in a folded position to illustrate an example environment; and,

FIG. 12 is an exploded front perspective view FIG. 9.

The broken lines are for environmental purposes only and form no part of the claimed design.

The dot-dash lines in the figures represent an unclaimed boundary line and form no part of the claimed design.

1 Claim, 9 Drawing Sheets

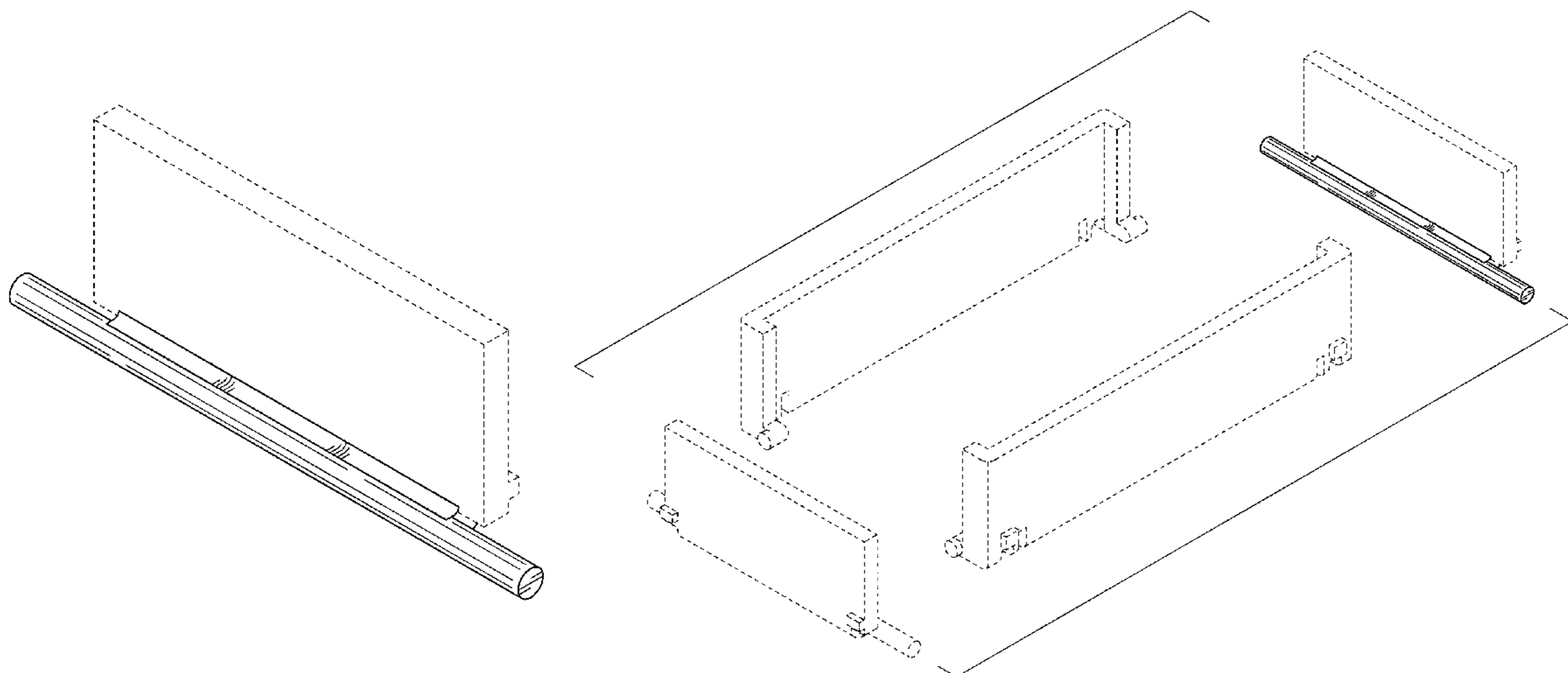


FIG.1

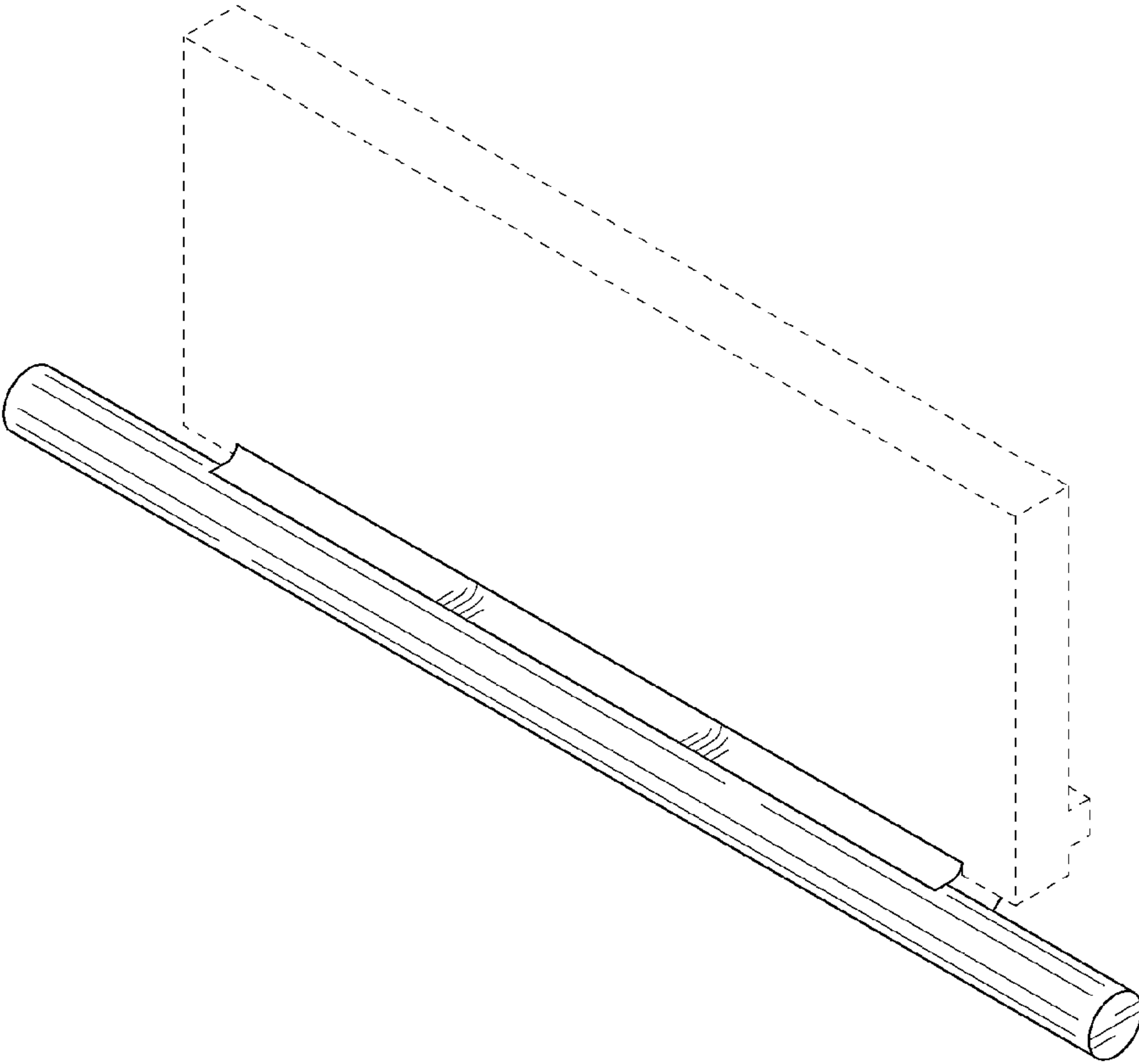


FIG.2

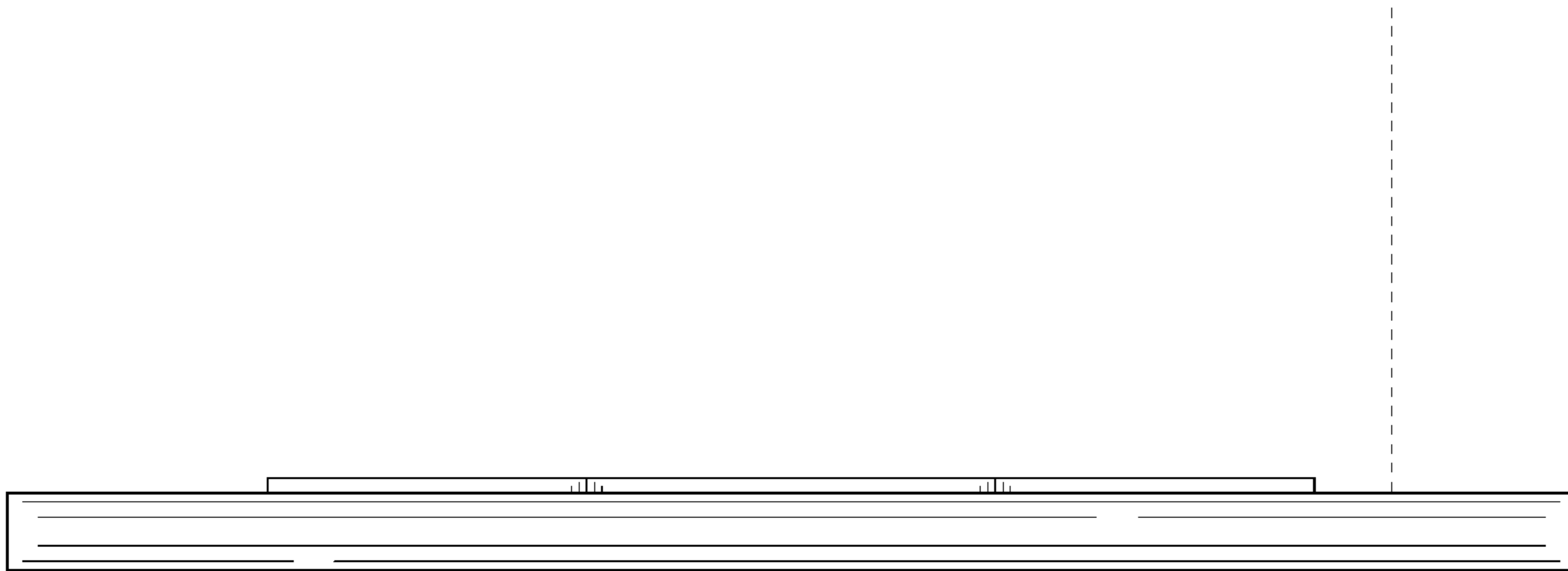


FIG.3



FIG.4

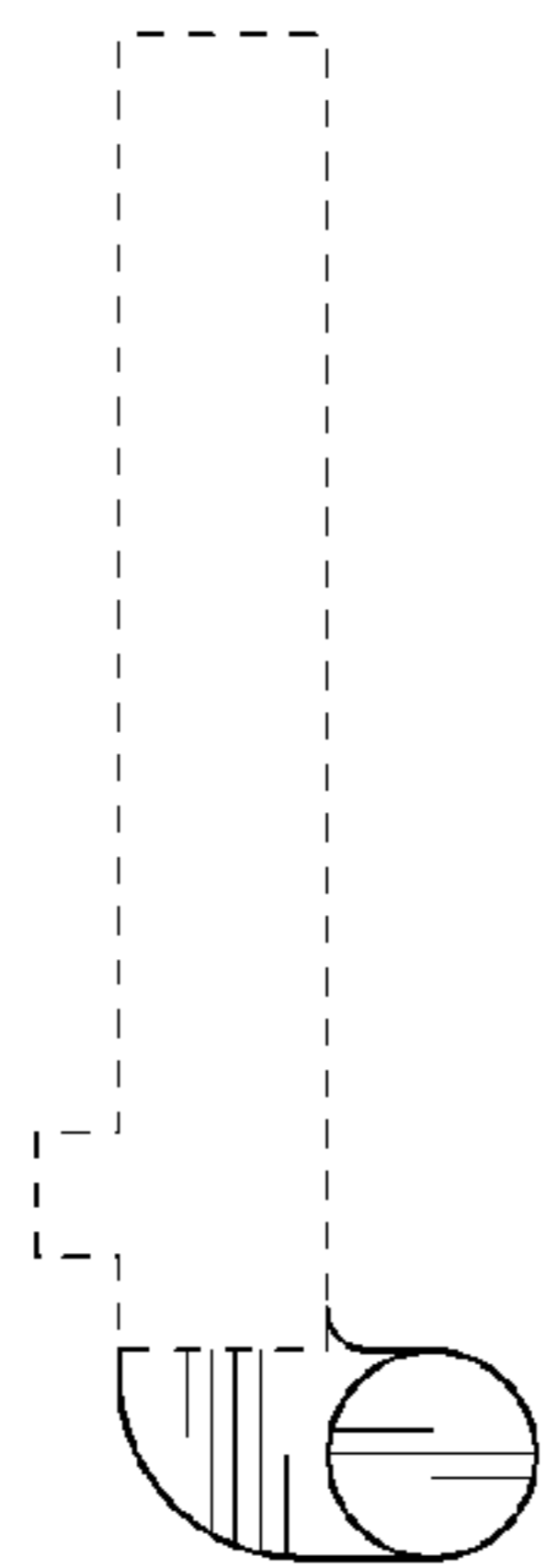


FIG.5

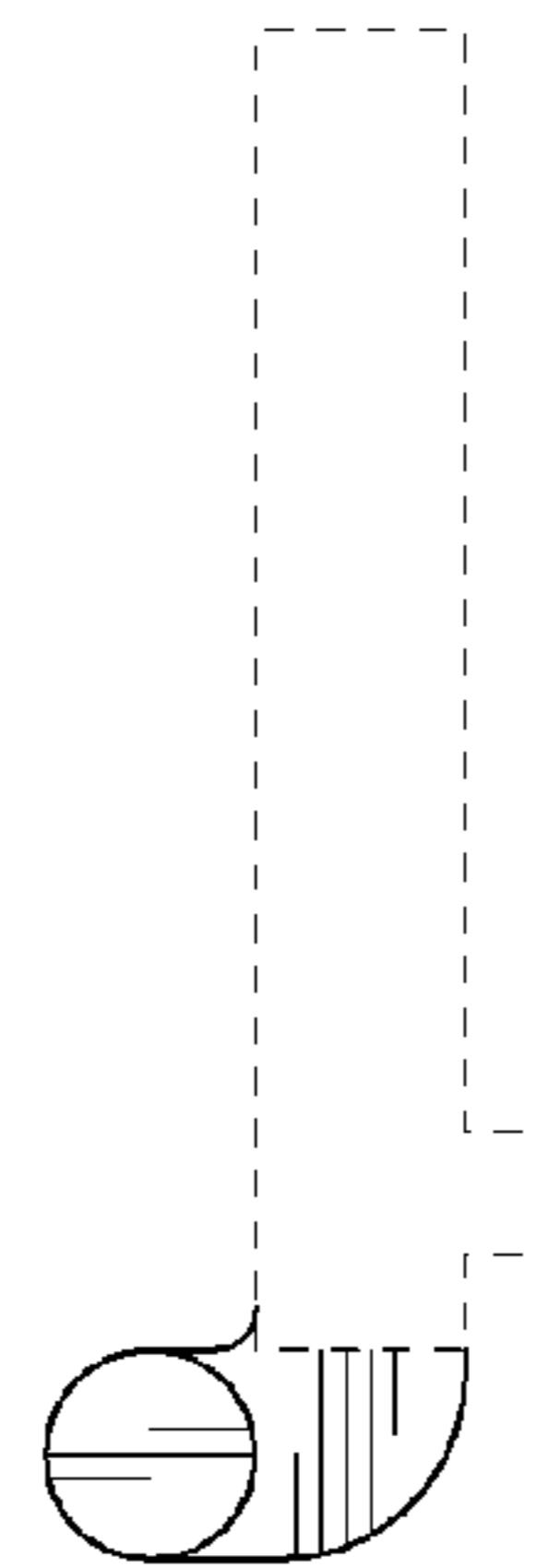


FIG.6

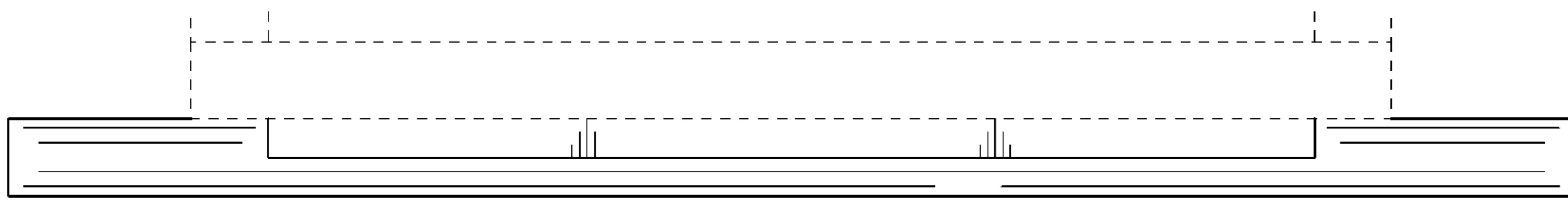


FIG.7

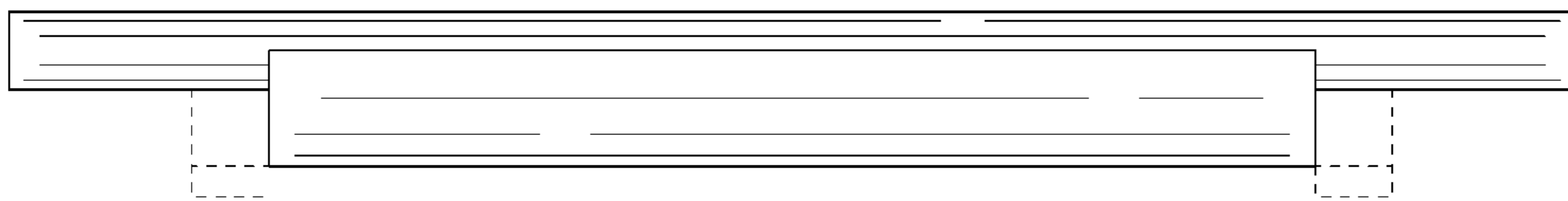


FIG.8

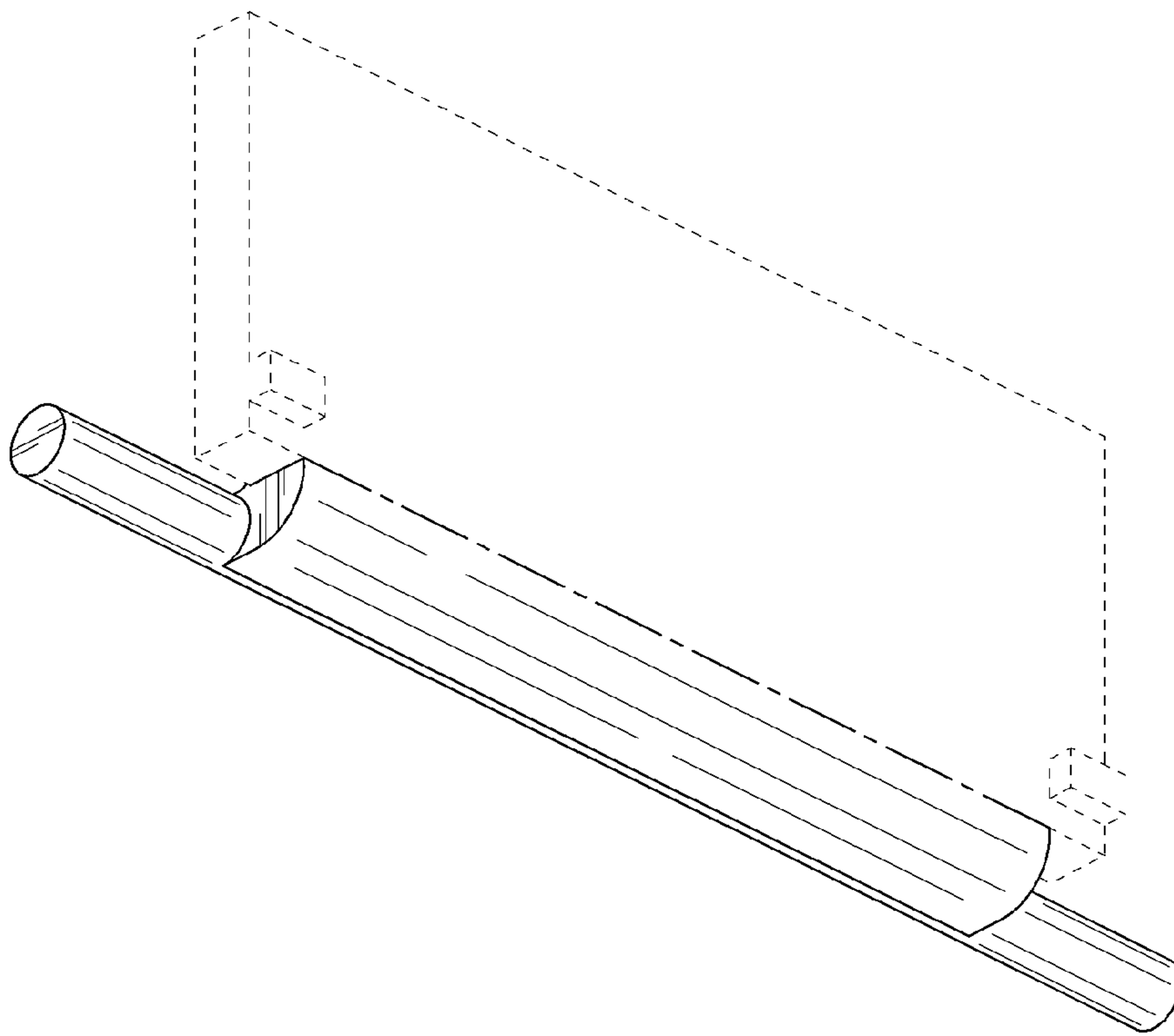


FIG.9

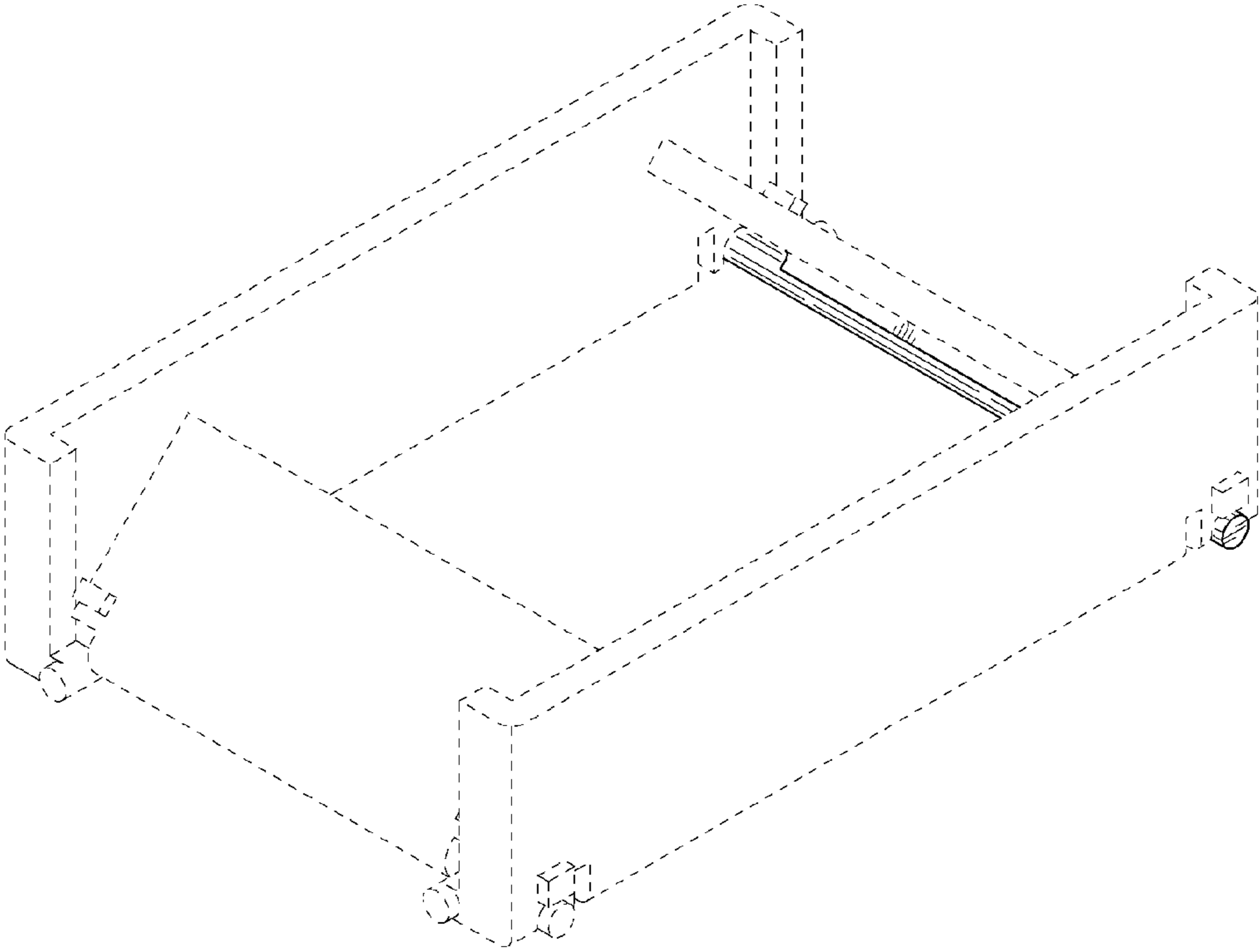


FIG.10

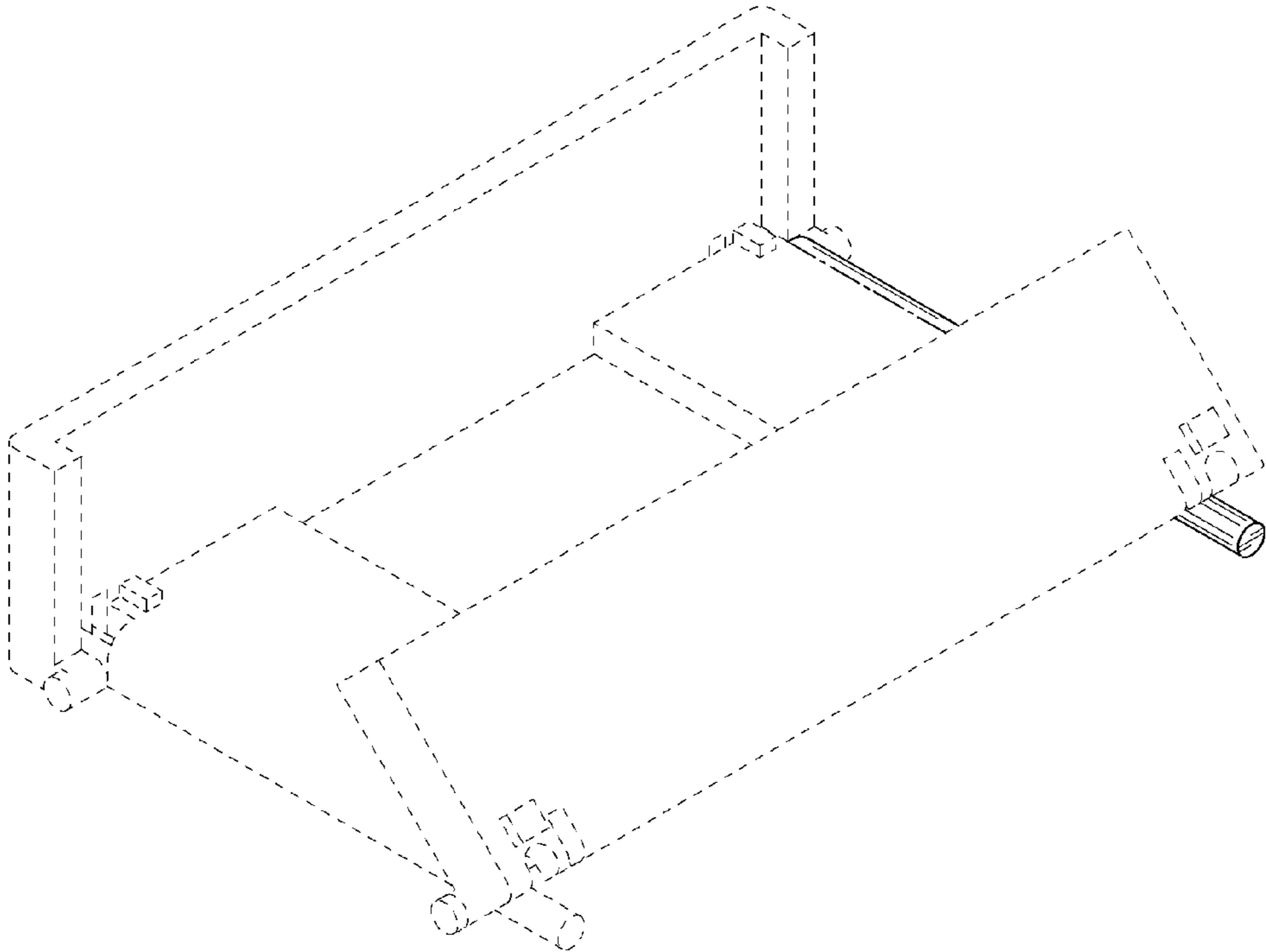
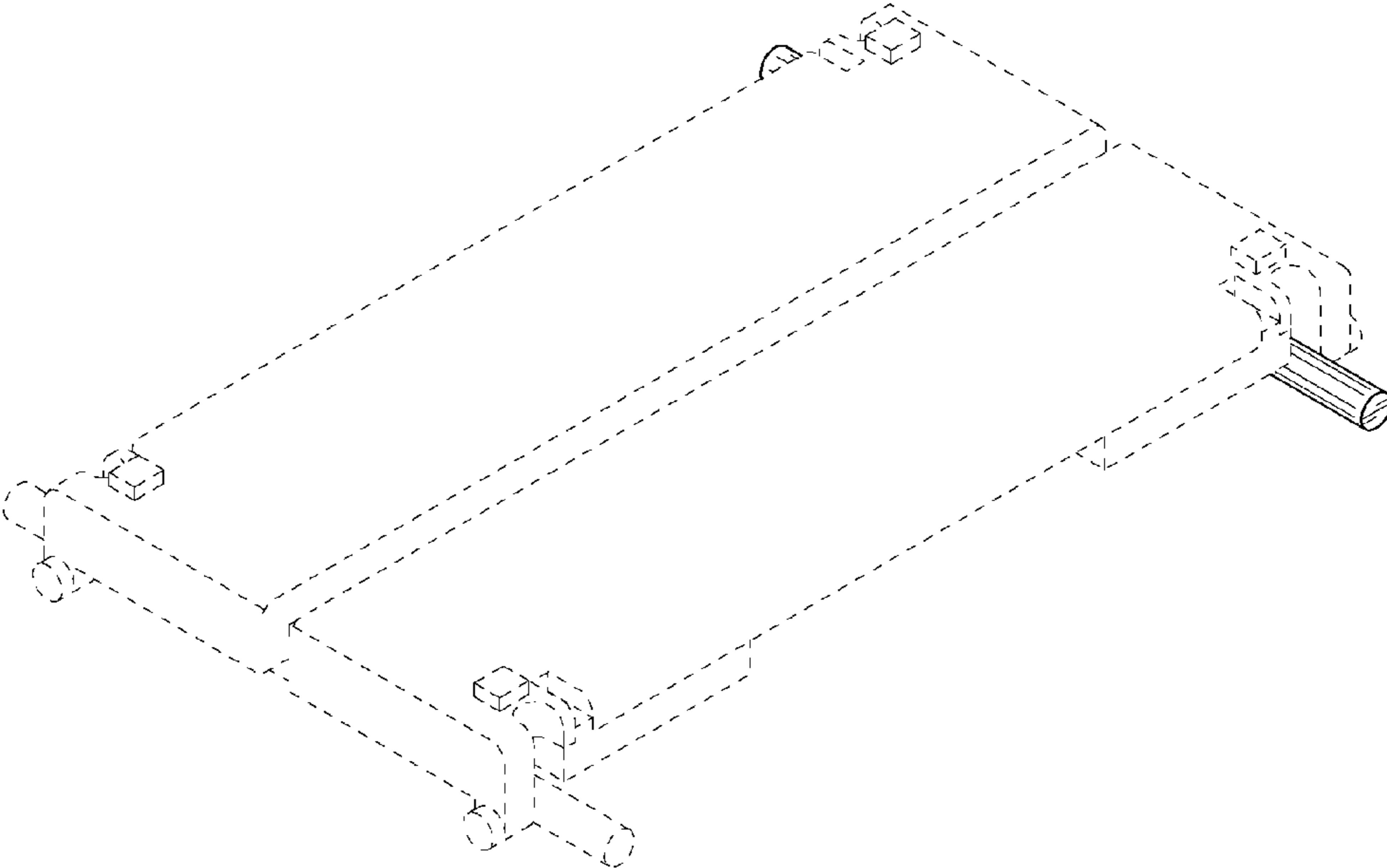


FIG.11



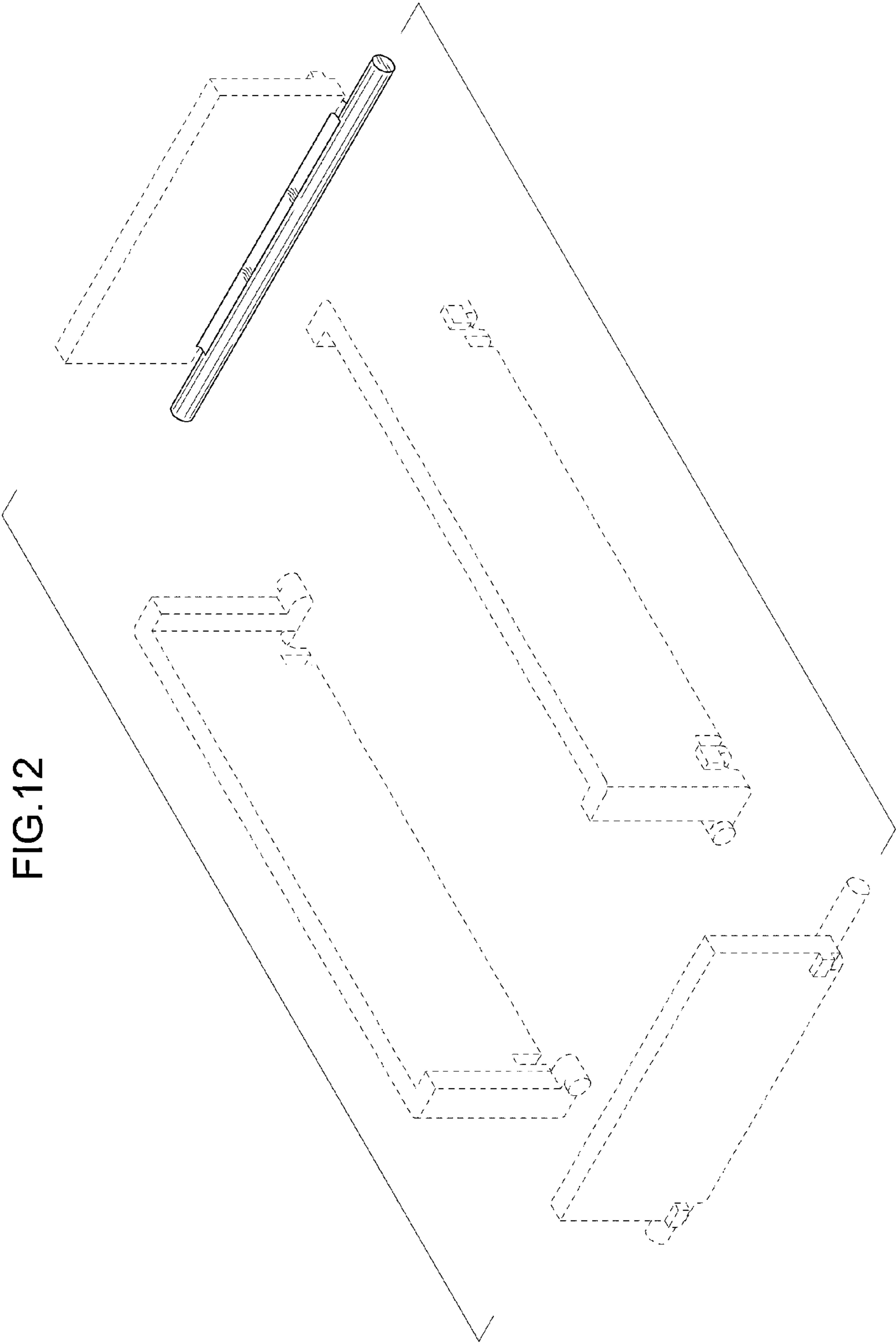


FIG. 12