

US00D727733S

(12) **United States Design Patent**  
**Kwak et al.**

(10) **Patent No.:** **US D727,733 S**

(45) **Date of Patent:** **\*\* Apr. 28, 2015**

(54) **TRAY FOR PACKAGING BOX**

*Primary Examiner* — Robert M Spear

(74) *Attorney, Agent, or Firm* — NSIP Law

(71) Applicant: **Samsung Electronics Co., Ltd.**,  
Suwon-si (KR)

(72) Inventors: **Ji-Hee Kwak**, Seoul (KR); **Il-Kyoung Kim**, Suwon-si (KR); **Eun Ae Shally Lee**, Seoul (KR); **Da-Hee Heo**, Yongin-si (KR)

(57) **CLAIM**

The ornamental design for a tray for packaging box, as shown and described.

(73) Assignee: **Samsung Electronics Co., Ltd.**,  
Suwon-si (KR)

**DESCRIPTION**

(\*\*) Term: **14 Years**

FIG. 1 is a front perspective view of a tray for packaging box showing our new design;

(21) Appl. No.: **29/472,654**

FIG. 2 is a front view thereof;

(22) Filed: **Nov. 14, 2013**

FIG. 3 is a rear view thereof;

(30) **Foreign Application Priority Data**

May 15, 2013 (KR) ..... 30-2013-0025620

FIG. 4 is a left-side view thereof;

(51) **LOC (10) Cl.** ..... **09-07**

FIG. 5 is a right-side view thereof;

(52) **U.S. Cl.**  
USPC ..... **D9/456**

FIG. 6 is a top view thereof;

(58) **Field of Classification Search**  
CPC ..... B65D 11/00; B65D 11/10; B65D 11/18  
USPC ..... D3/30.5; D9/433, 434, 456, 499, 760;  
220/4.22, 4.28, 4.29; 49/397; D8/323  
See application file for complete search history.

FIG. 7 is a bottom view thereof;

FIG. 8 is a rear perspective view thereof;

FIG. 9 is an exploded front perspective view thereof;

FIG. 10 is an exploded rear perspective view thereof;

FIG. 11 is a front perspective view, in which additional sides of a tray for packaging box are provided in broken lines, to illustrate an example environment;

FIG. 12 is a front perspective view of FIG. 11, in which two sides are provided in a partially folded position, to illustrate an example environment;

FIG. 13 is another front perspective view of FIG. 11, in which two sides are provided in a folded position and an additional side is provided in a partially folded position, to illustrate an example environment; and,

FIG. 14 is another front perspective view of FIG. 11, in which all four sides are provided in a folded position, to illustrate an example environment.

The broken lines illustrating portions of the tray for packaging box are for environmental purposes only and form no part of the claimed design.

The dot-dash lines in the figures represent an unclaimed boundary line and form no part of the claimed design.

(56) **References Cited**

U.S. PATENT DOCUMENTS

3,962,827	A *	6/1976	Chaffee	49/384
D263,370	S *	3/1982	Bisbing	D8/323
D292,743	S *	11/1987	Hung	D3/315
D305,298	S *	1/1990	De Langie	D8/323
5,855,291	A *	1/1999	Ingle	220/6
D443,196	S *	6/2001	Sosa	D8/323
D512,897	S *	12/2005	Franchini	D8/323
D548,044	S *	8/2007	Tang	D8/323
D624,388	S *	9/2010	Eland	D8/323
D699,093	S *	2/2014	Farnsworth et al.	D8/323

\* cited by examiner

**1 Claim, 14 Drawing Sheets**

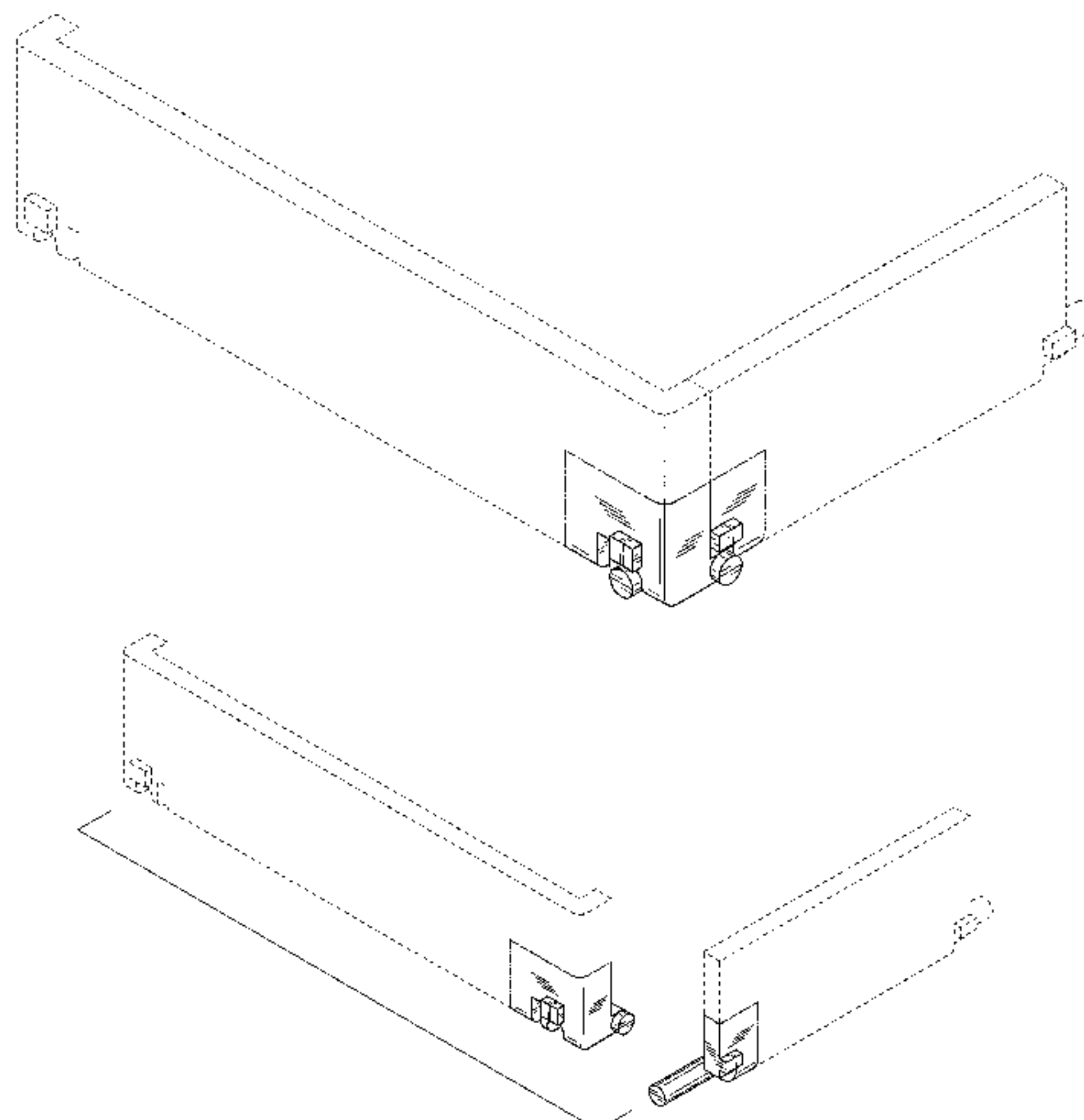


FIG.1

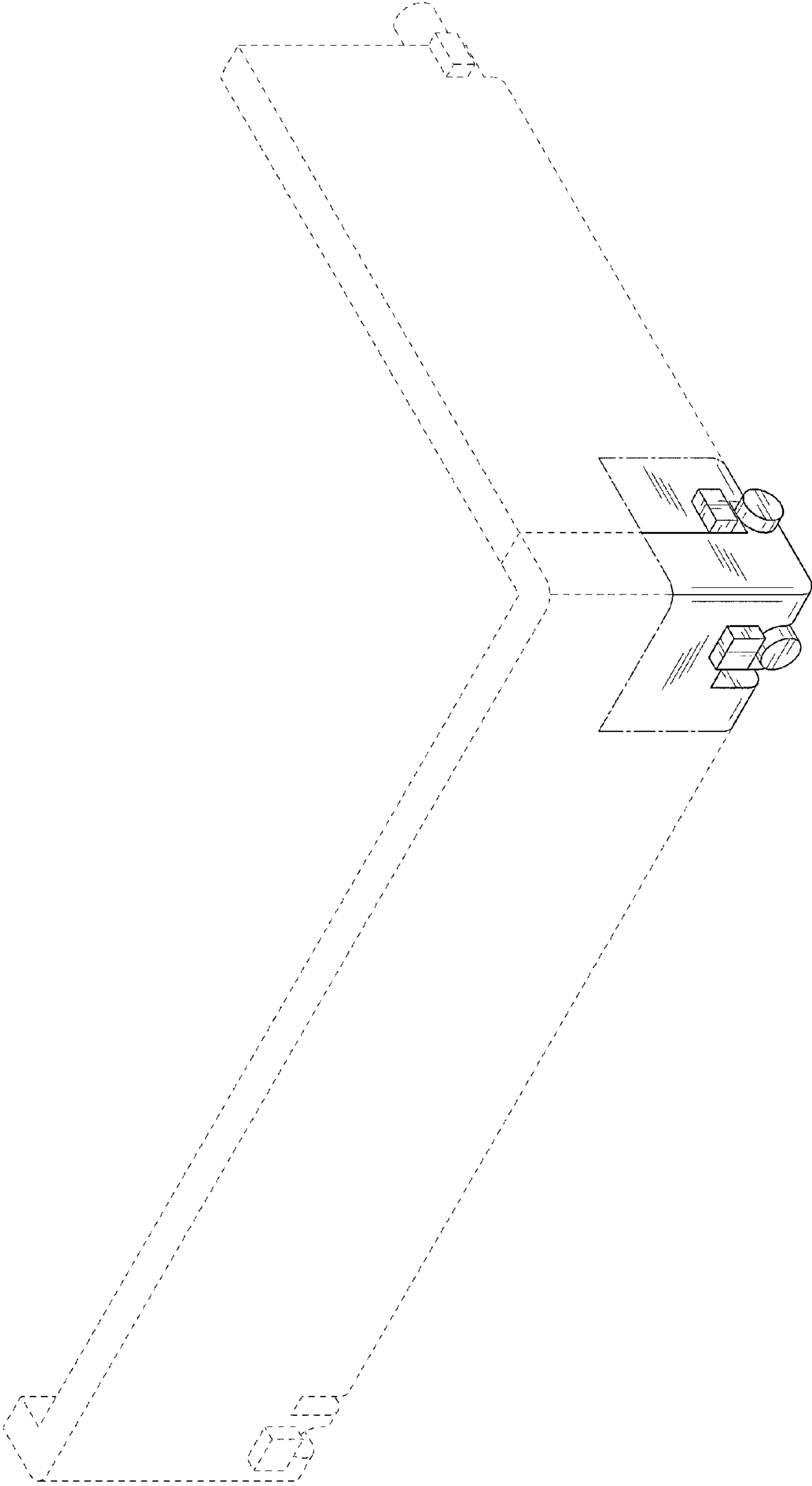


FIG.2



FIG.3

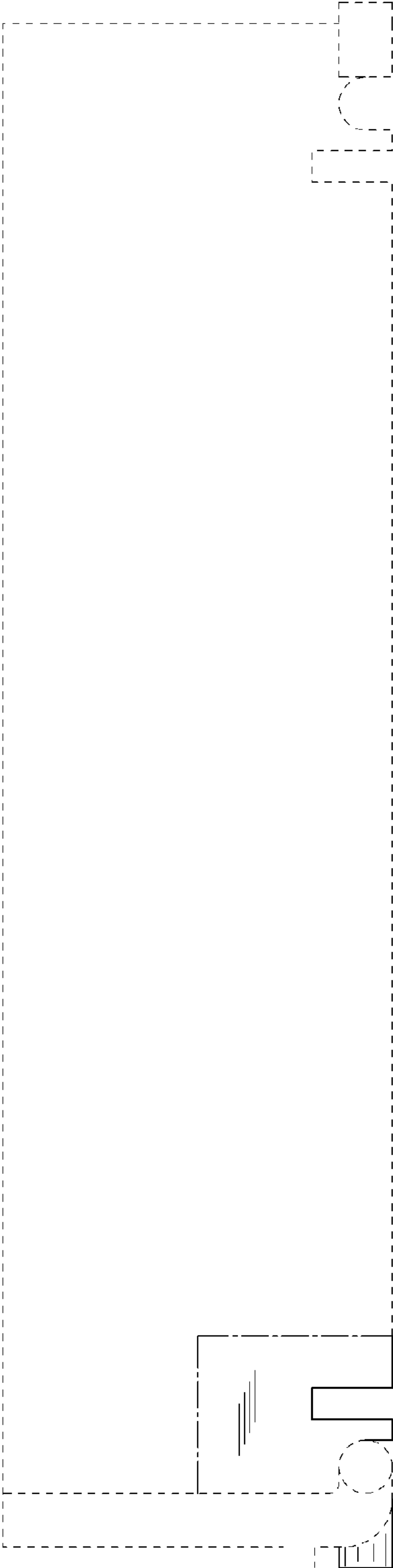


FIG.4

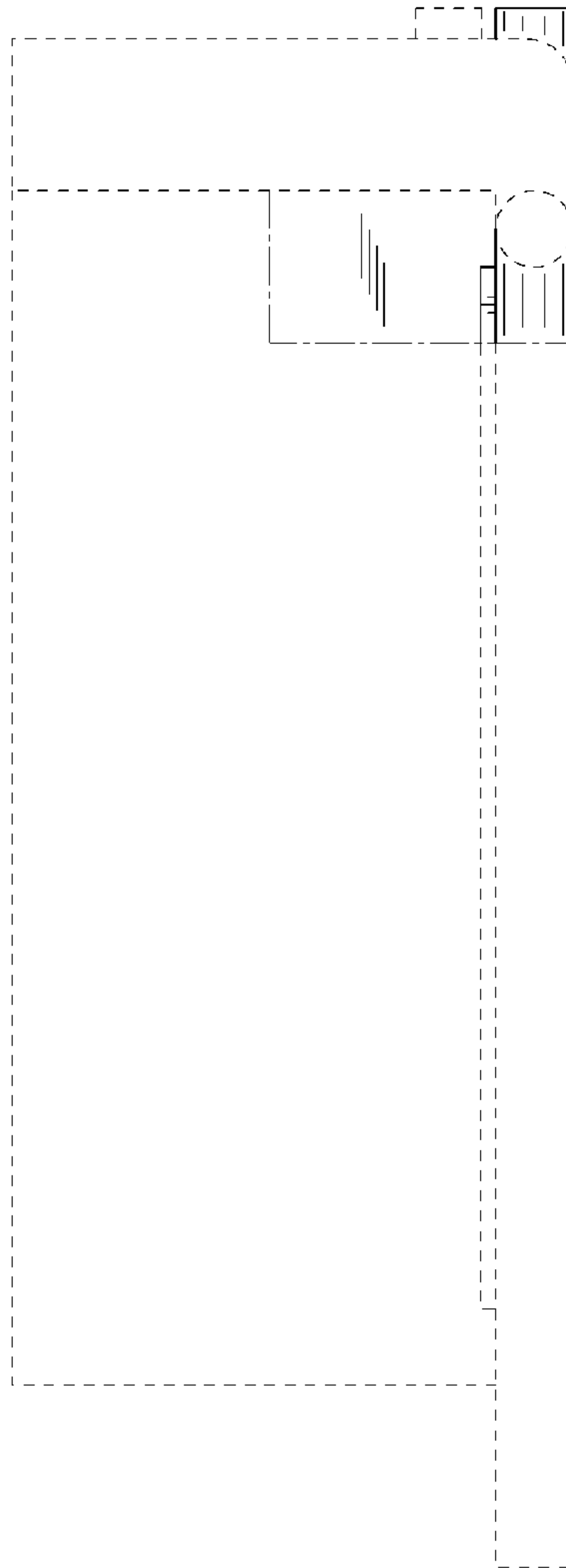


FIG. 5

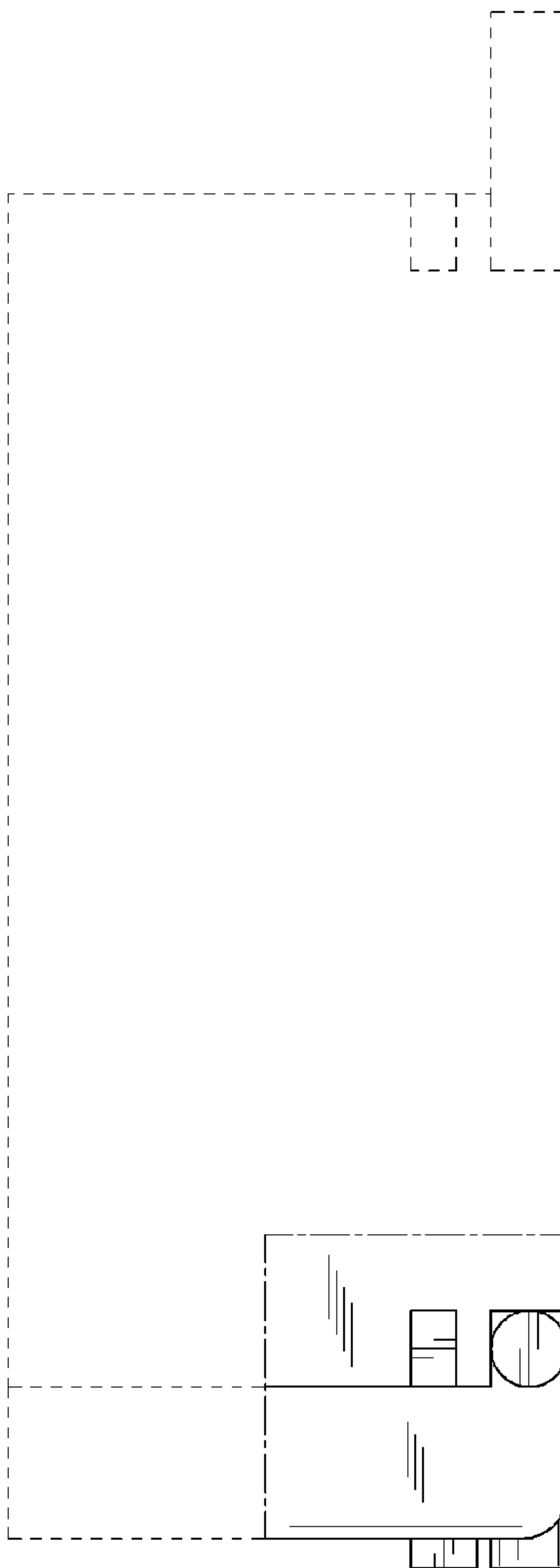


FIG.6



FIG. 7





FIG.8

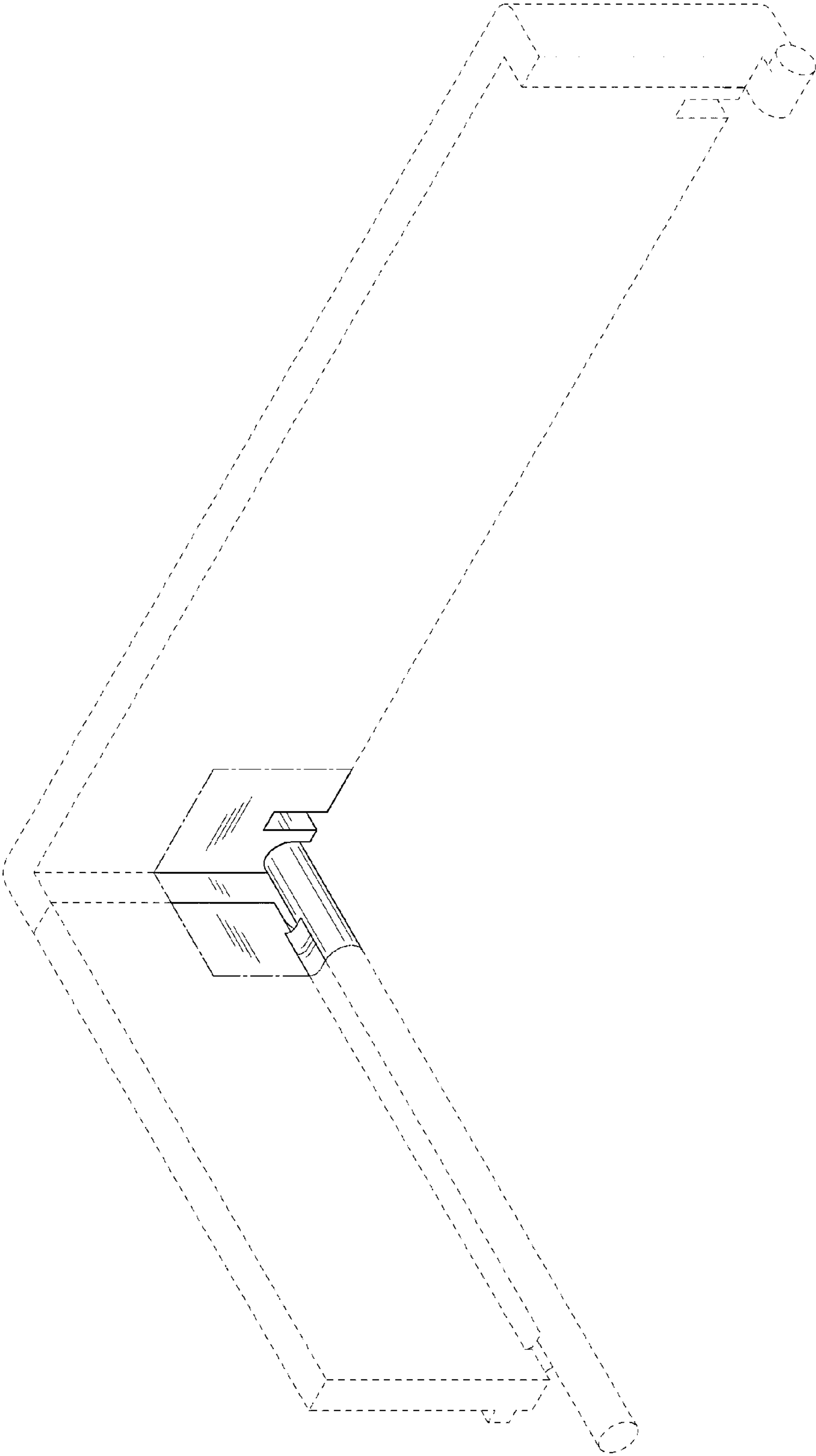


FIG.9

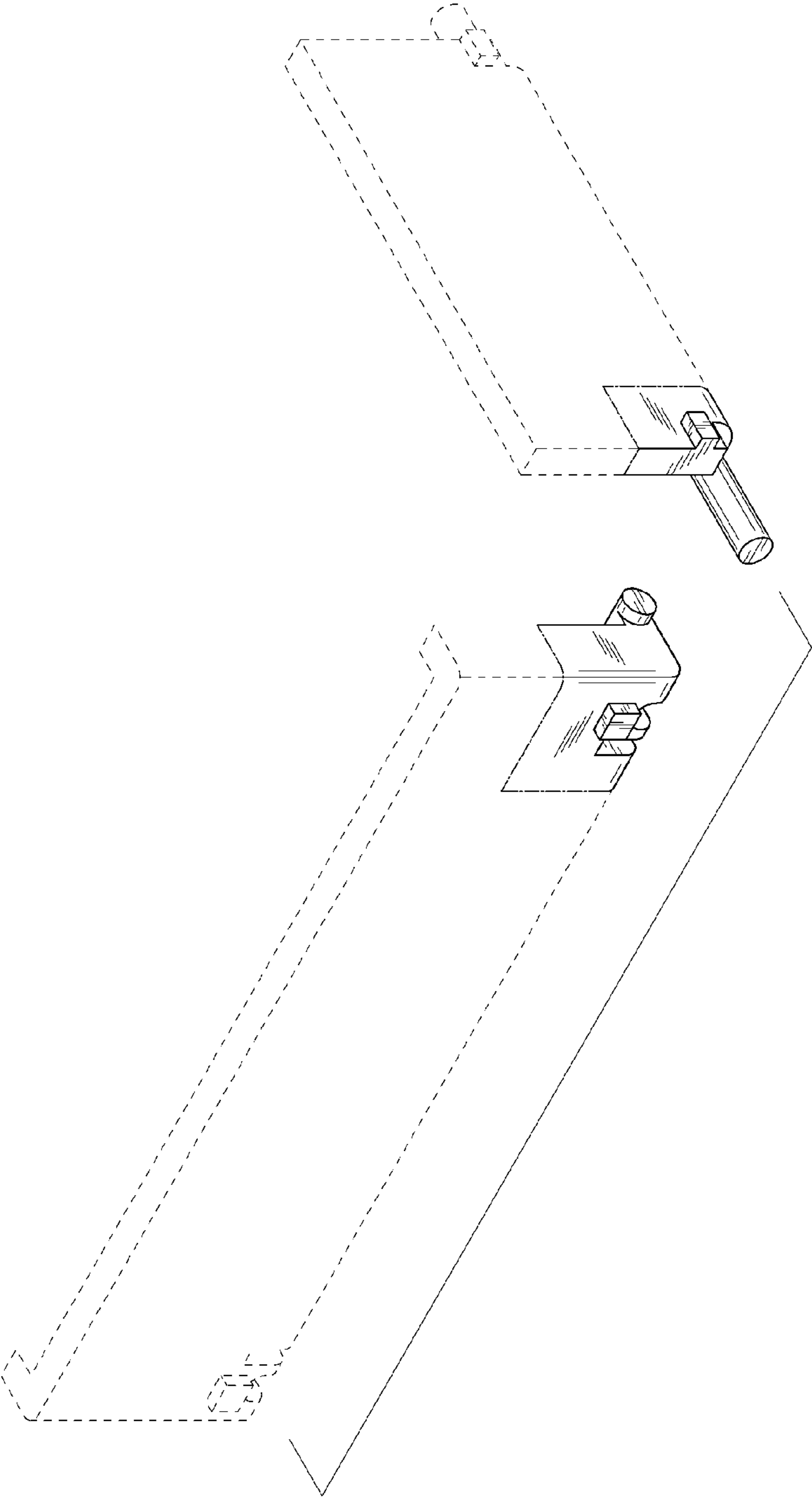


FIG.10

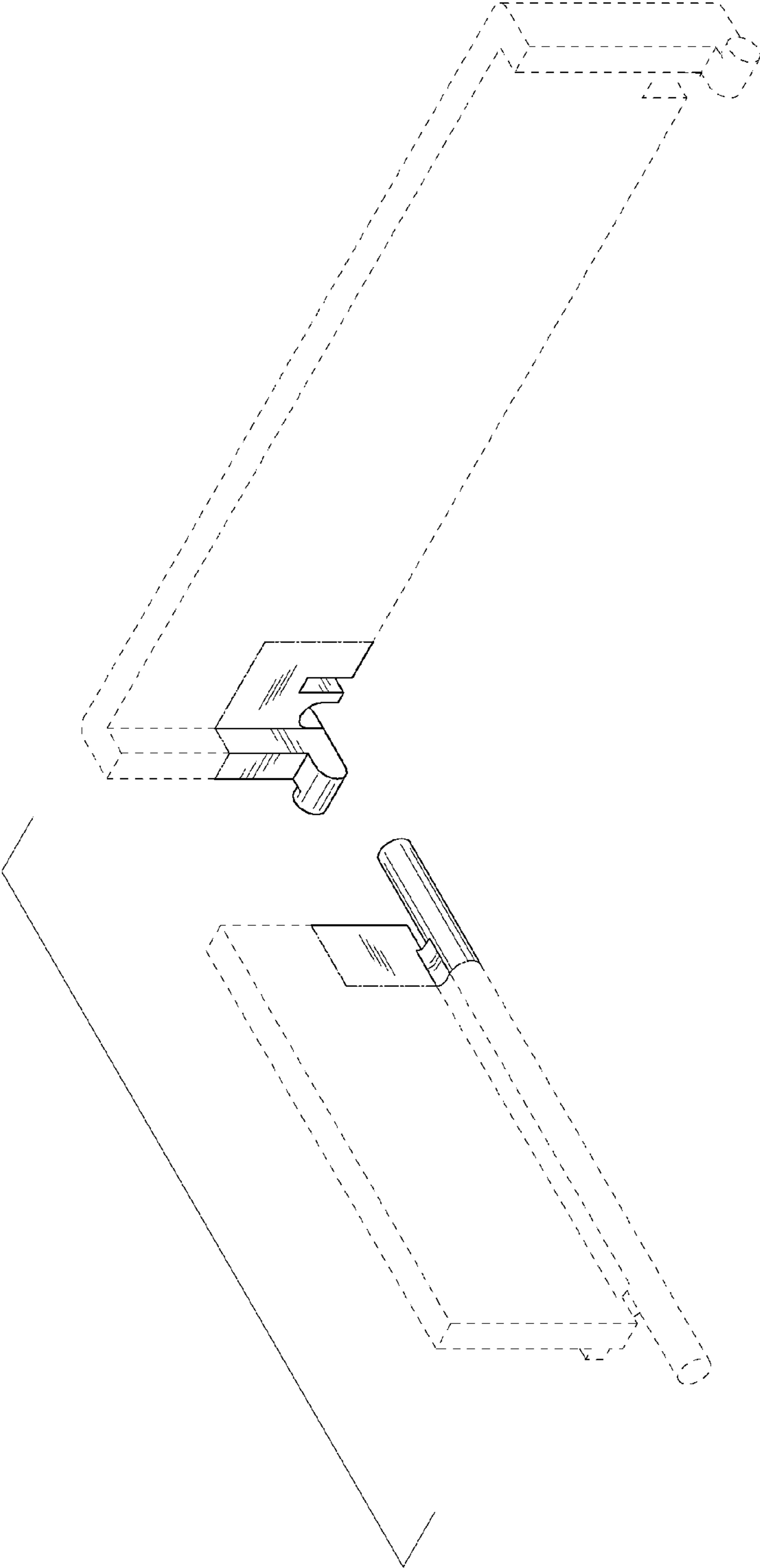


FIG.11

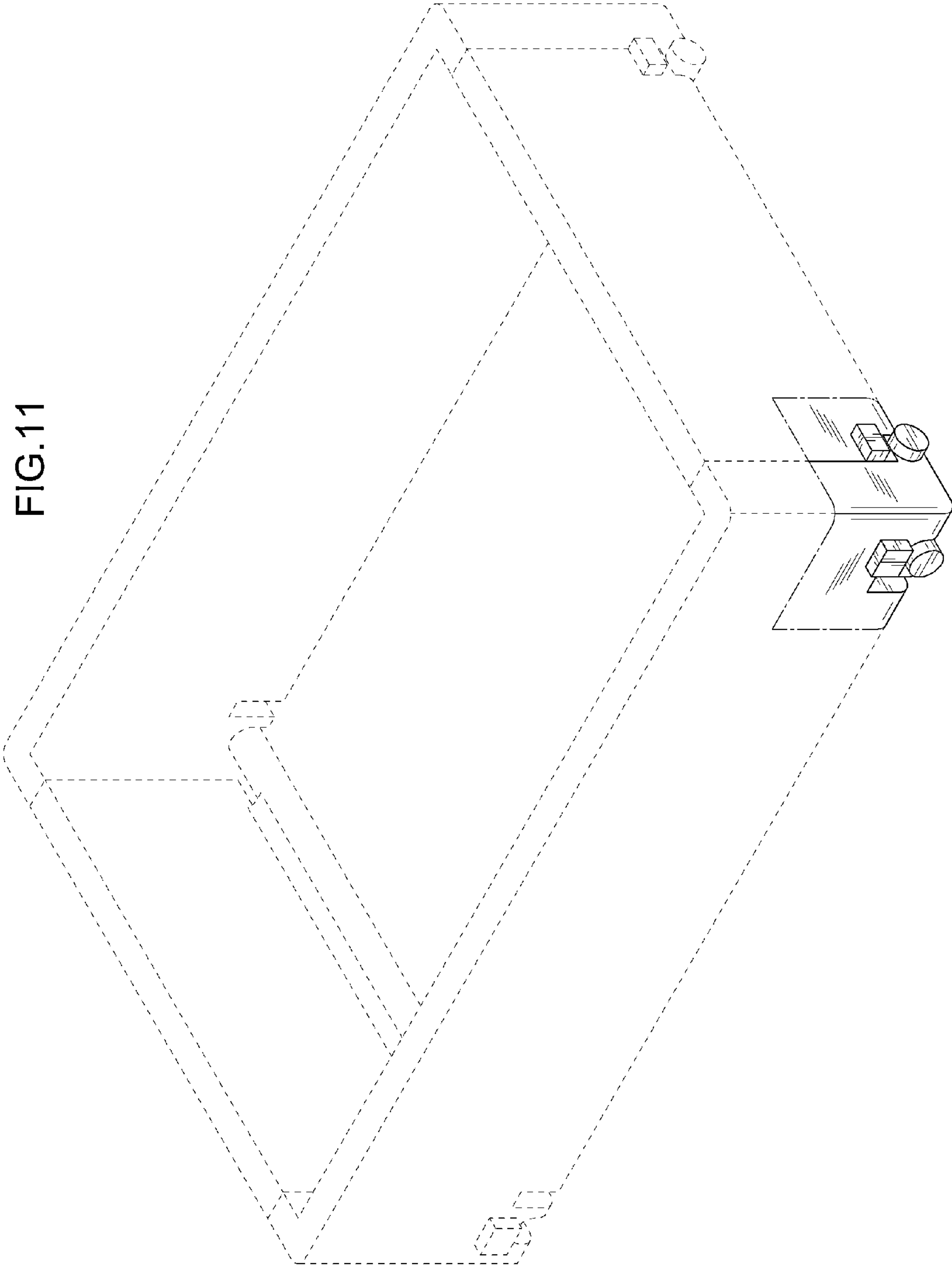


FIG.12

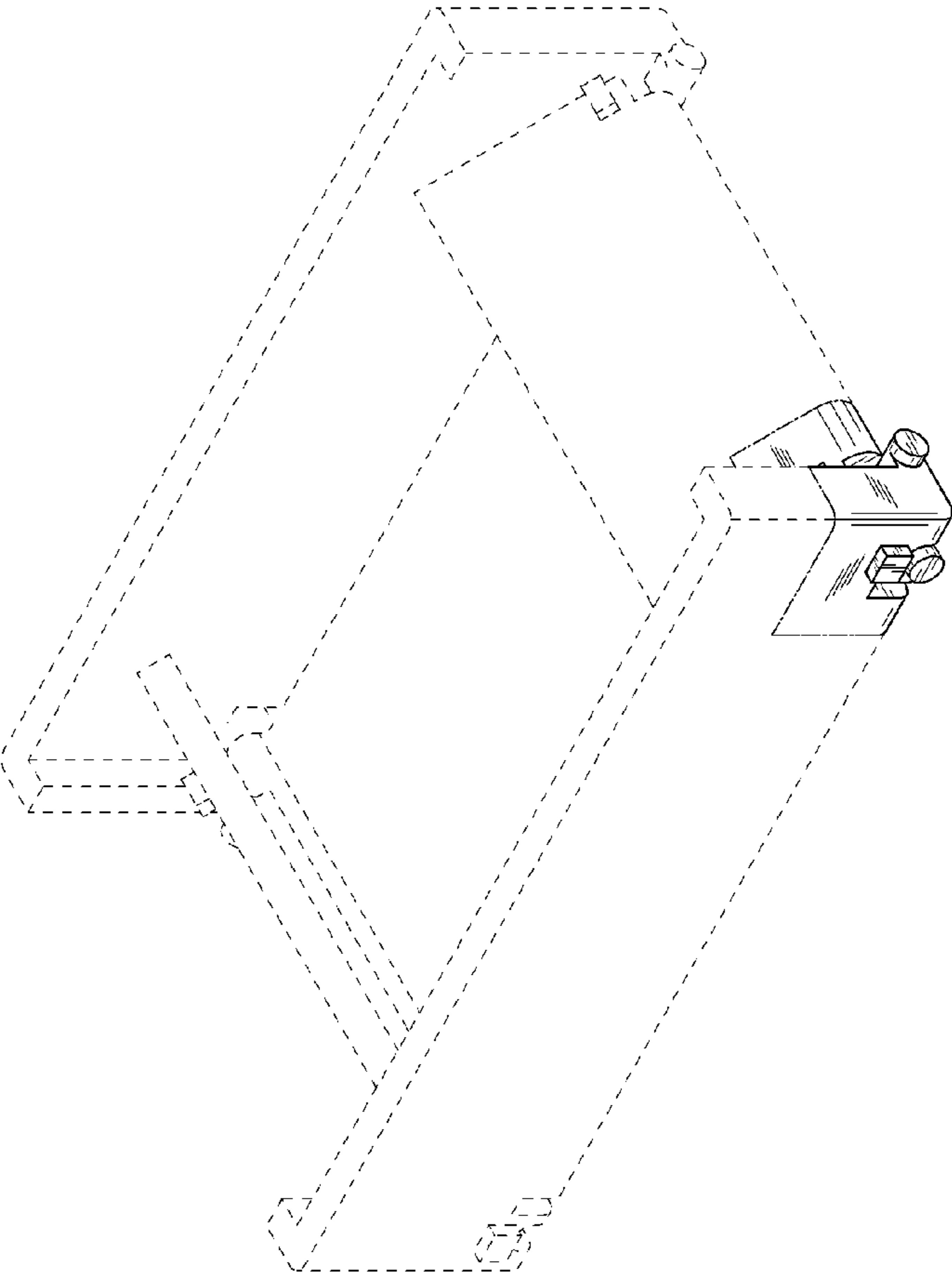


FIG.13

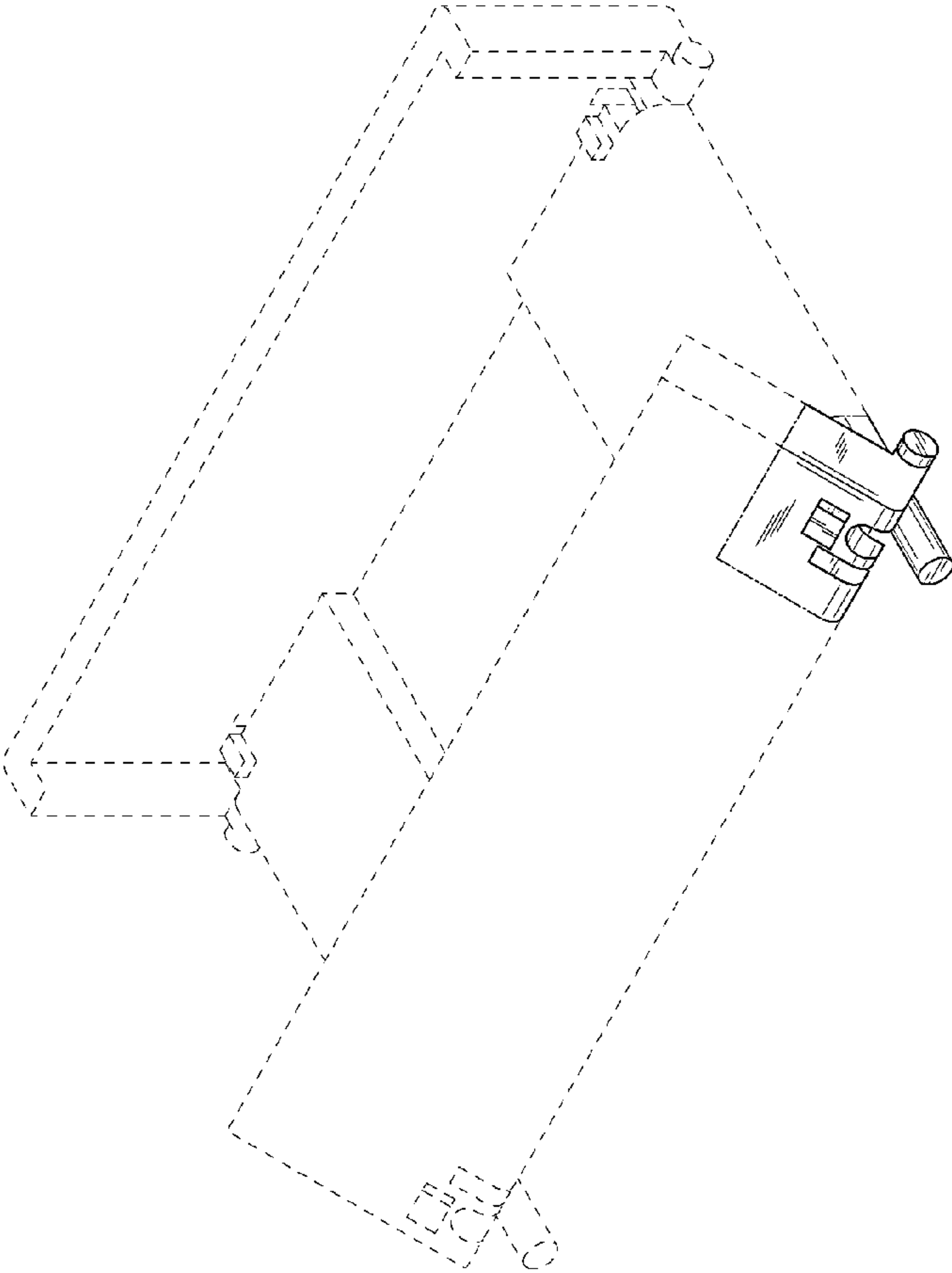


FIG.14

