



US00D727732S

(12) **United States Design Patent**
Petty

(10) **Patent No.:** **US D727,732 S**
(45) **Date of Patent:** **** Apr. 28, 2015**

(54) **BAKED GOODS BOX**
(71) Applicant: **Indiana Carton Company Inc**, Bremen,
IN (US)
(72) Inventor: **James C. Petty**, Edwardsburg, MI (US)
(73) Assignee: **Indiana Carton Company, Inc.**,
Bremen, IN (US)

D466,406 S *	12/2002	Solland	D9/418
D568,733 S *	5/2008	DuBois et al.	D9/418
D574,230 S *	8/2008	Bowman et al.	D9/418
D579,724 S *	11/2008	McMurphy	D7/545
D592,075 S *	5/2009	Holcomb	D9/721
D604,602 S *	11/2009	Kohno	D9/418
D616,299 S *	5/2010	Mayo	D9/418
D618,543 S *	6/2010	Polaski et al.	D9/418
7,780,004 B2 *	8/2010	Carlozzi et al.	206/443
D671,401 S *	11/2012	Grabes et al.	D9/418
D678,779 S *	3/2013	Lee	D9/622
D679,950 S *	4/2013	Cooper	D7/538

(**) Term: **14 Years**

* cited by examiner

(21) Appl. No.: **29/466,595**

Primary Examiner — Ian Simmons

(22) Filed: **Sep. 10, 2013**

Assistant Examiner — Rhea Shields

(51) **LOC (10) Cl.** **09-03**

(74) *Attorney, Agent, or Firm* — Botkin & Hall, LLP

(52) **U.S. Cl.**
USPC **D9/451**; D9/418

(57) **CLAIM**

The ornamental design for a baked goods box, as shown and described.

(58) **Field of Classification Search**
USPC D9/418, 414, 415, 676, 752, 721, 669,
D9/622; D11/143; 229/162.2; D7/545,
D7/538; 206/443

DESCRIPTION

See application file for complete search history.

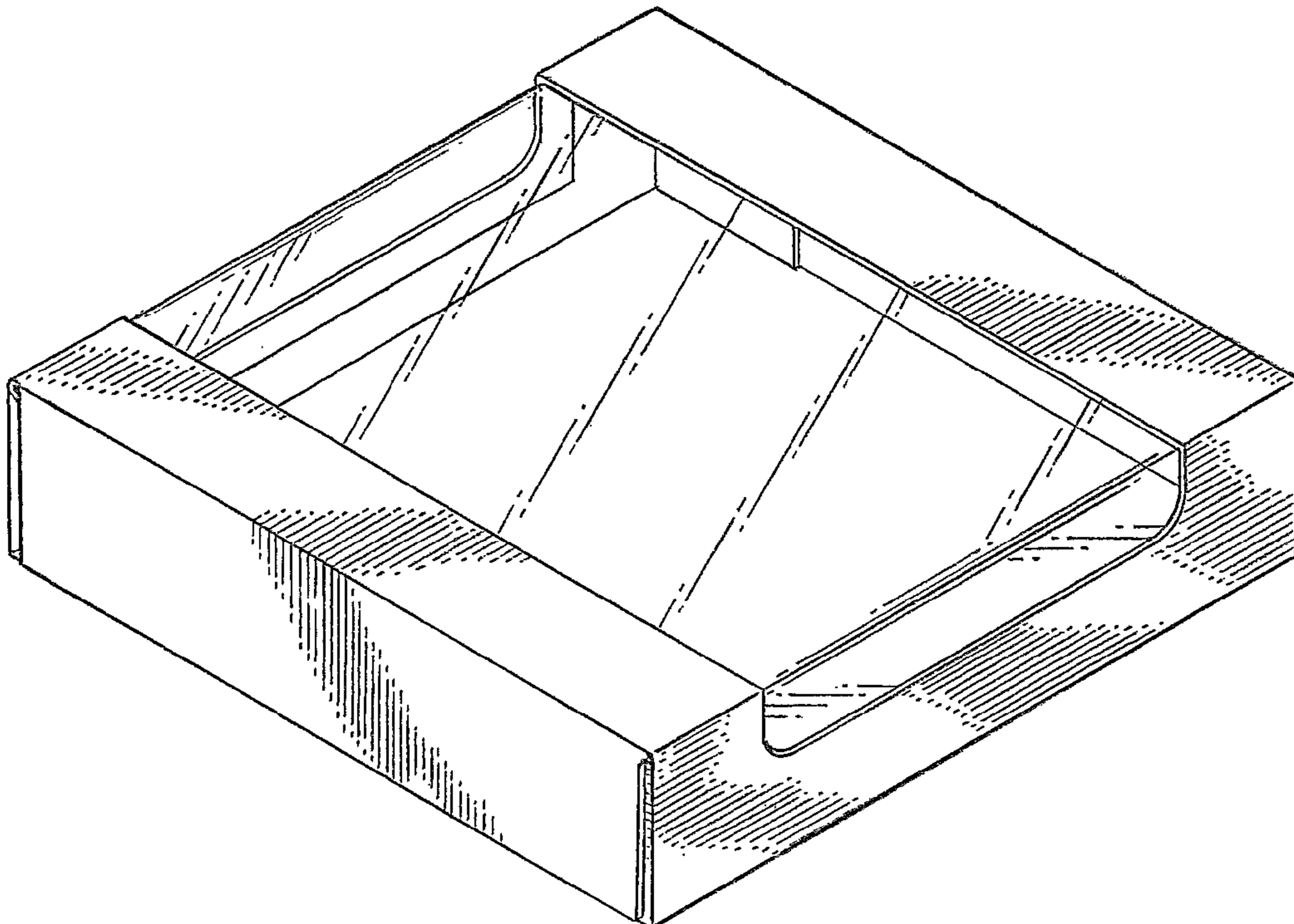
FIG. 1 is a perspective view of the baked goods box;
FIG. 2 is a top view of the box of FIG. 1;
FIG. 3 is a front view of the box of FIG. 1;
FIG. 4 is a back view of the box of FIG. 1;
FIG. 5 is a bottom view of the box of FIG. 1; and,
FIG. 6 is a left side view of the frame of FIG. 1, the right side
view being mirror symmetrical.
In FIG. 6 the broken line indicates a perforation and forms a
part of the claim.

(56) **References Cited**

U.S. PATENT DOCUMENTS

D96,552 S *	8/1935	Houghton	D11/143
5,516,038 A *	5/1996	Zaccarini	229/162.2
D371,959 S *	7/1996	Hupp	D9/676
D383,669 S *	9/1997	Taylor	D9/669
D436,313 S *	1/2001	Joshua et al.	D9/752

1 Claim, 2 Drawing Sheets



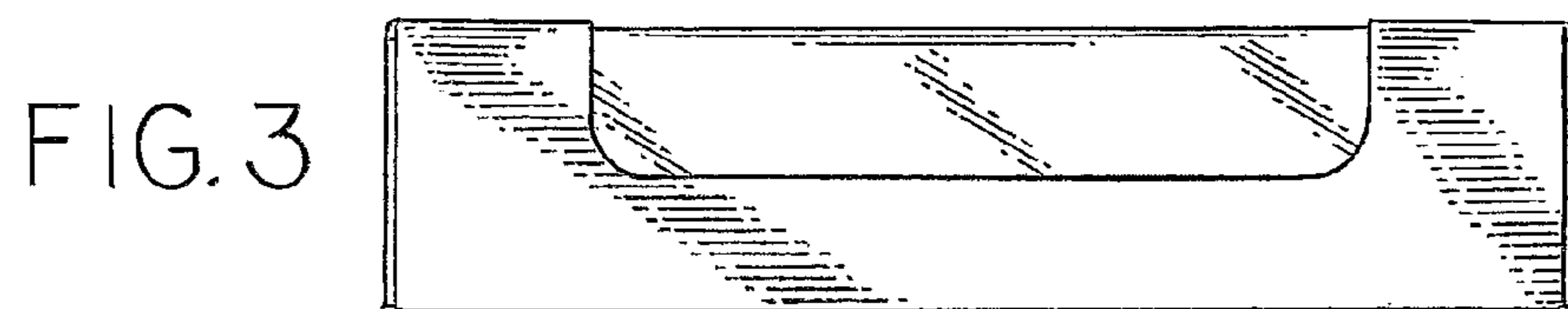
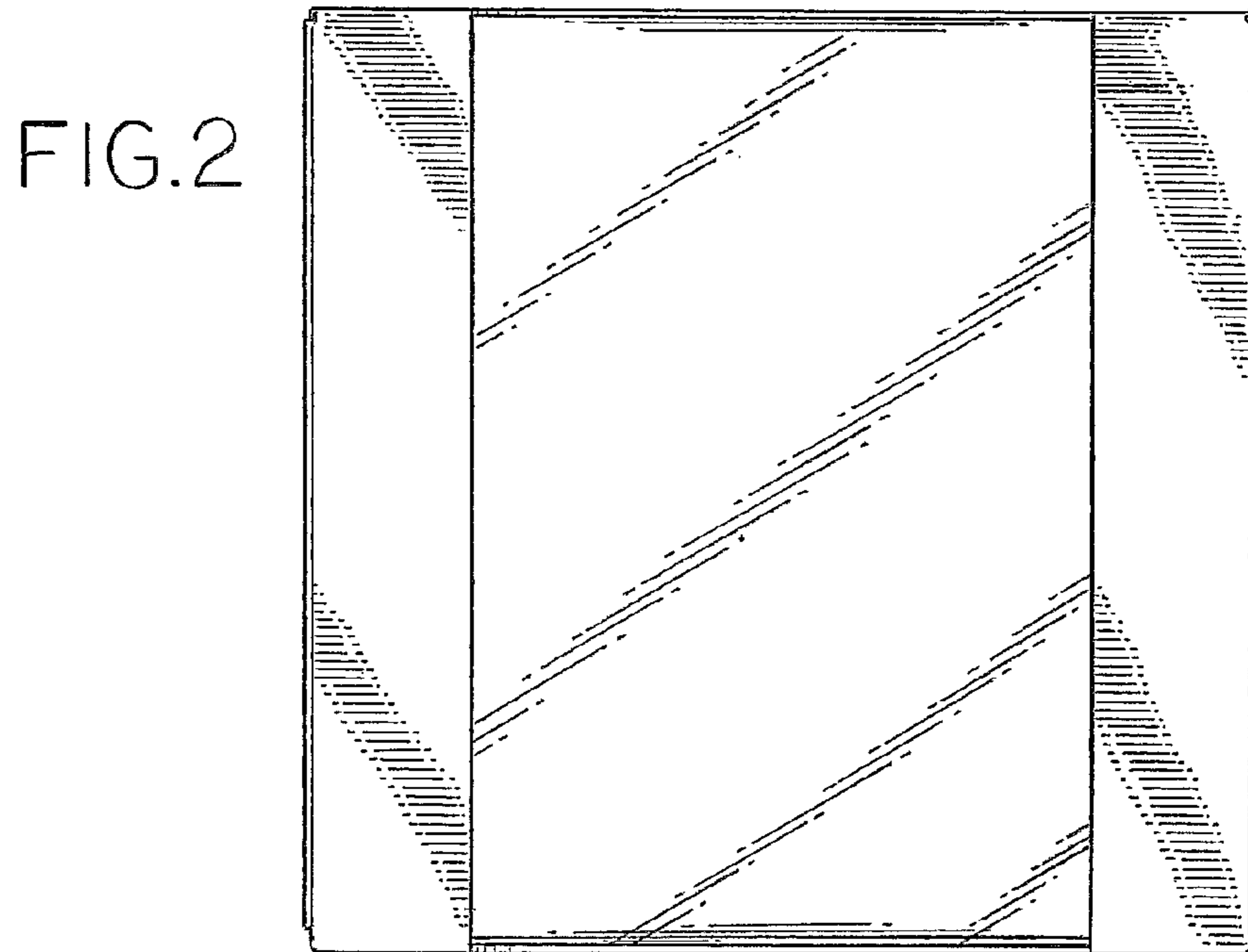
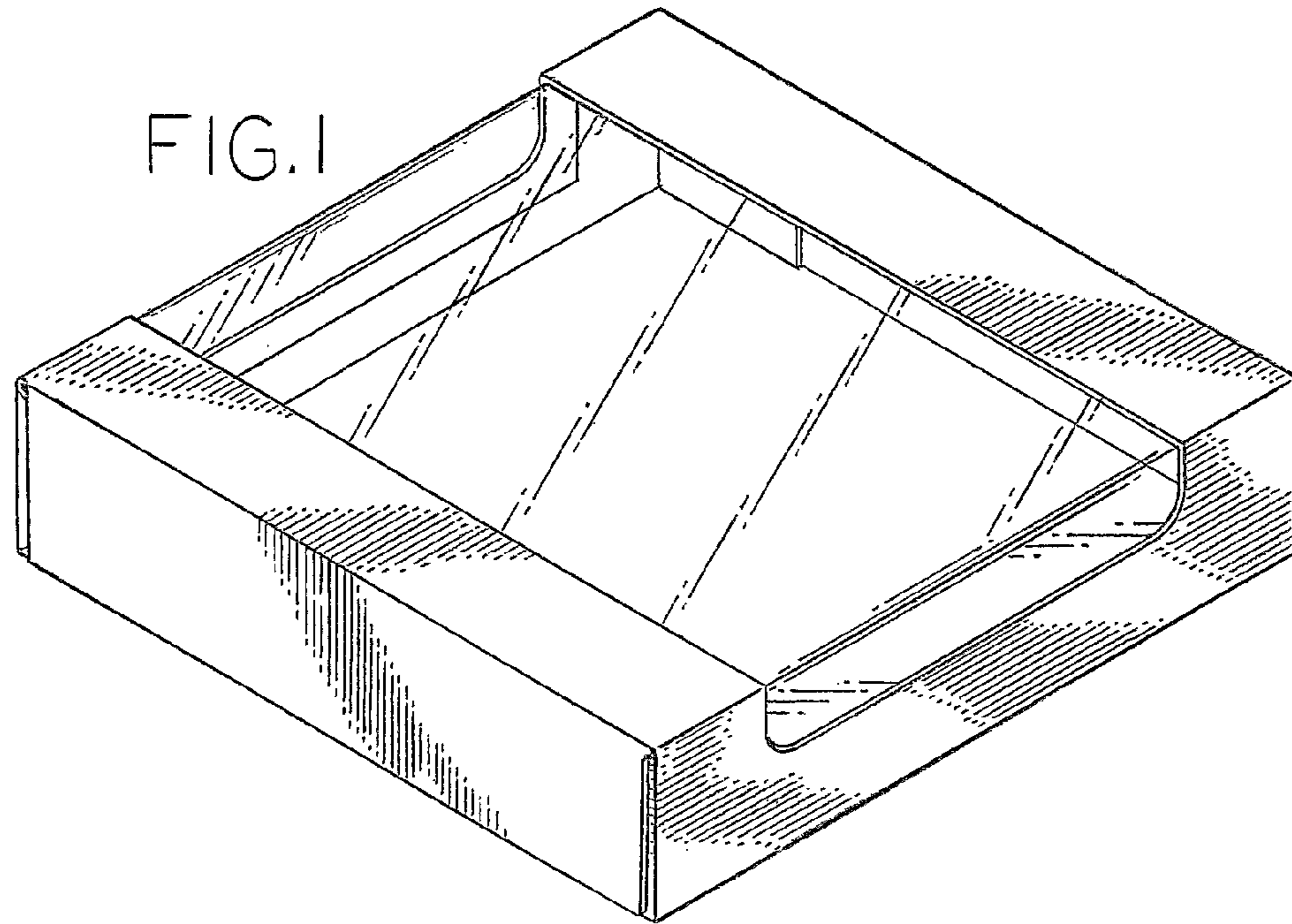


FIG.4

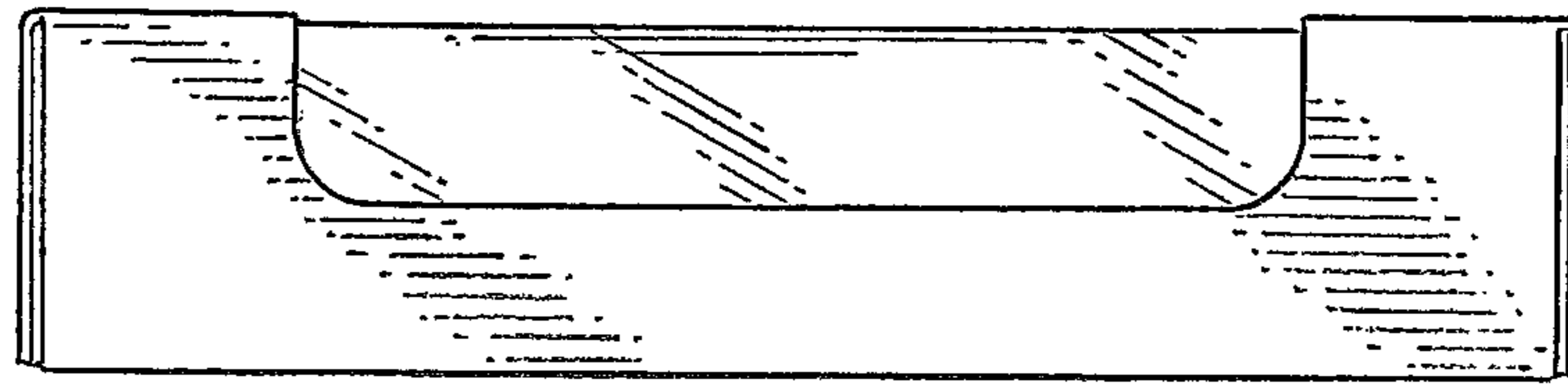


FIG.5

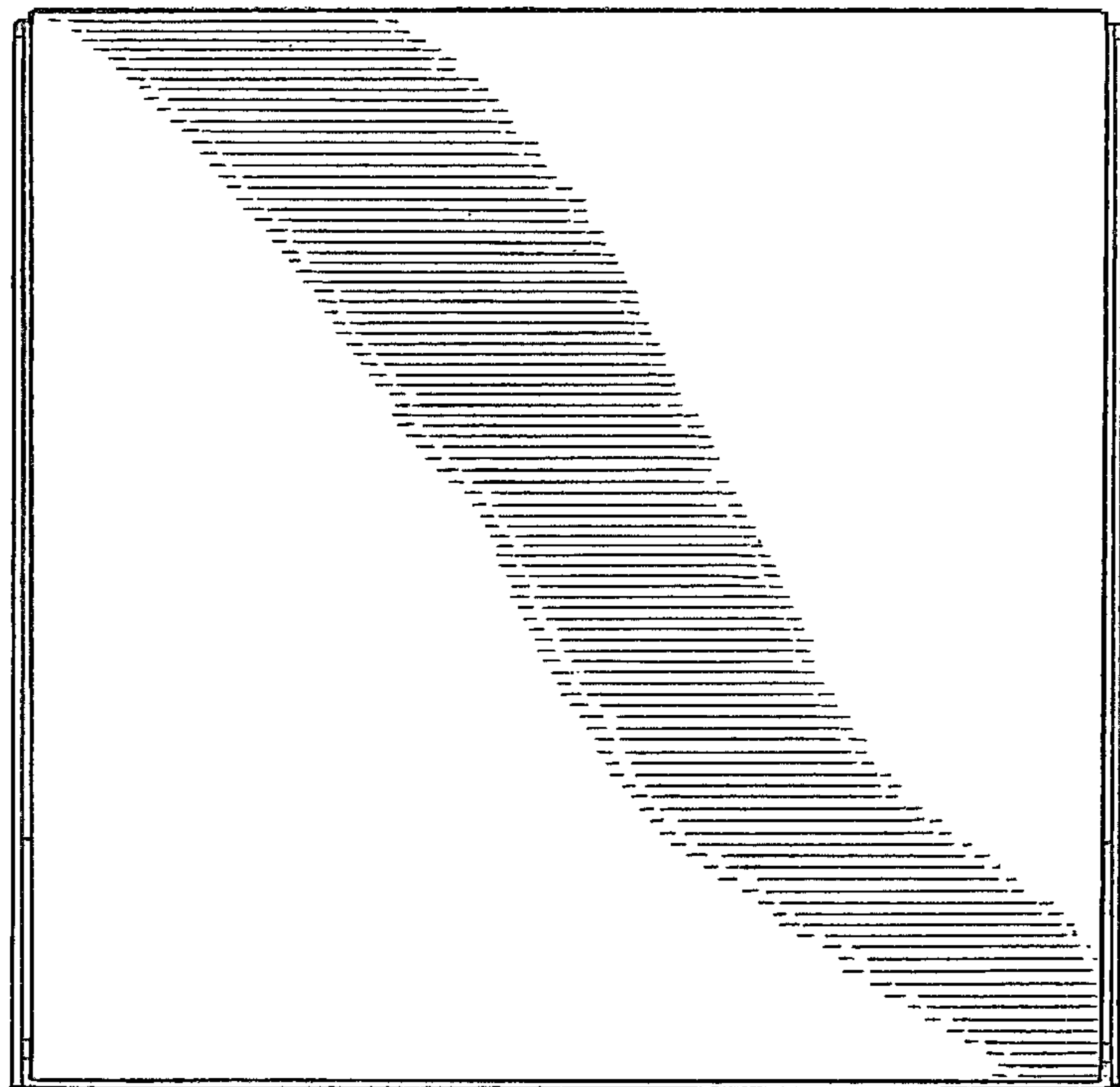


FIG.6

