



US00D727730S

(12) **United States Design Patent**
Buschmann et al.

(10) **Patent No.:** **US D727,730 S**
(45) **Date of Patent:** **** Apr. 28, 2015**

- (54) **CAP**
- (71) Applicant: **S.C. Johnson & Son, Inc.**, Racine, WI (US)
- (72) Inventors: **Kristian Buschmann**, Chicago, IL (US);
Corey Cote, Winslow, ME (US);
Matthew J. Forst, Oak Creek, WI (US);
Daniel J. Neidlinger, Bartlett, IL (US);
Andreas Auinger, Kremsmunster (AT);
Daniel Ladstaetter, Klagenfurt (AT)
- (73) Assignee: **S.C. Johnson & Son, Inc.**, Racine, WI (US)

5,992,659 A	11/1999	Nofer et al.
D418,421 S	1/2000	Mansau
D426,775 S	6/2000	Zimmer et al.
6,119,883 A	9/2000	Hock et al.
6,253,937 B1	7/2001	Anderson
D471,450 S	3/2003	Gehring et al.
D471,806 S	3/2003	Gehring et al.
D473,140 S	4/2003	Gilliam et al.
D479,992 S	9/2003	Gehring et al.
6,622,882 B2	9/2003	Smith
D487,020 S	2/2004	Blank et al.
D489,993 S	5/2004	Wilkes
D491,470 S	6/2004	Yang
6,866,164 B2 *	3/2005	Branson et al. 222/153.14
D508,402 S *	8/2005	Hierzer et al. D9/449
D514,444 S	2/2006	Smith et al.

(Continued)

- (**) Term: **14 Years**
- (21) Appl. No.: **29/455,533**
- (22) Filed: **May 21, 2013**

Related U.S. Application Data

- (63) Continuation-in-part of application No. 29/416,625, filed on Mar. 23, 2012.
- (51) **LOC (10) Cl.** **09-07**
- (52) **U.S. Cl.**
USPC **D9/449**
- (58) **Field of Classification Search**
USPC D7/392, 398; D9/434, 435, 439, 440,
D9/446-450, 453, 454, 499, 515, 737,
D9/739; 222/153.02, 153.14, 553, 556,
222/566, 575; 215/237
See application file for complete search history.

(56) **References Cited**

U.S. PATENT DOCUMENTS

4,310,105 A * 1/1982 Gach 222/153.02
D404,970 S 2/1999 Asberg

FOREIGN PATENT DOCUMENTS

EP	1538097	6/2005
GB	2443960	5/2008
WO	2012118502	9/2012

Primary Examiner — Robert M Spear

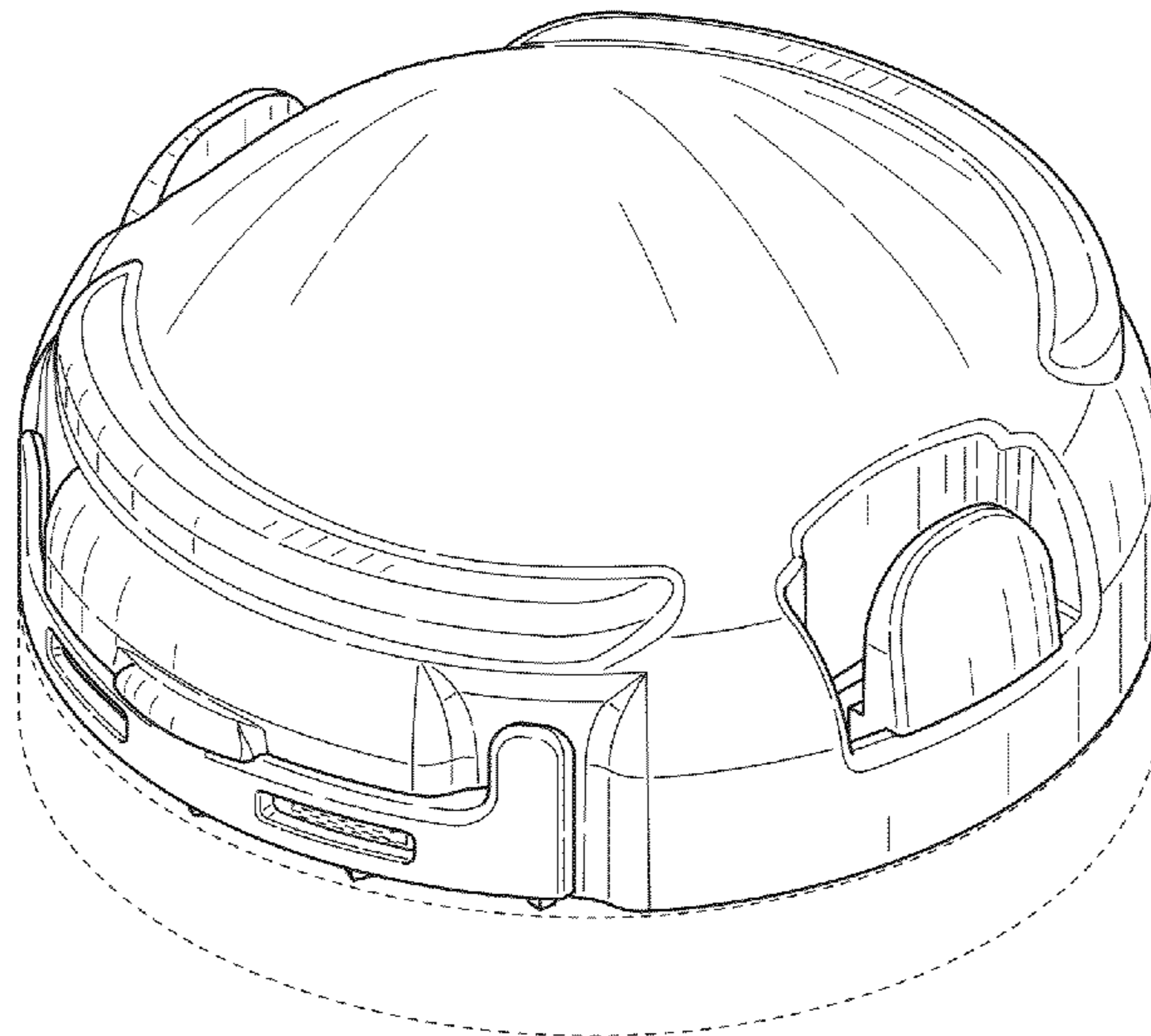
(57) **CLAIM**

The ornamental design for a cap, as shown and described.

DESCRIPTION

FIG. 1 is an isometric view of a top, front, and right side of an ornamental design for a cap;
FIG. 2 is a front elevational view of the cap of FIG. 1;
FIG. 3 is a rear elevational view of the cap of FIG. 1;
FIG. 4 is a right side elevational view of the cap of FIG. 1;
FIG. 5 is a left side elevational view of the cap of FIG. 1; and,
FIG. 6 is a top plan view of the cap of FIG. 1.
The dash-dash-dash-dash broken lines are for the purpose of illustrating environmental structure and form no part of the claimed design.

1 Claim, 4 Drawing Sheets



(56)

References Cited

U.S. PATENT DOCUMENTS

D530,203 S	10/2006	Li	
7,118,003 B2	10/2006	Sellari et al.	
D535,797 S	1/2007	Lin	
D546,178 S	7/2007	McClain	
7,243,807 B2	7/2007	Lin	
D554,508 S	11/2007	YunFu	
7,299,937 B2	11/2007	Antier et al.	
D560,440 S	1/2008	George et al.	
D564,169 S	3/2008	Wang	
D569,737 S	5/2008	Ogawa et al.	
D570,689 S *	6/2008	Chang	D9/504
D573,469 S	7/2008	Lamb et al.	
D573,893 S	7/2008	Moretti	
D576,036 S *	9/2008	Dell'Accio	D9/449
D579,774 S	11/2008	Clark	
D582,285 S	12/2008	Cracchiolo	
D587,124 S	2/2009	Bourne	
D610,456 S *	2/2010	Rognard	D9/452
D623,060 S *	9/2010	Hassamanci	D9/449
D624,414 S *	9/2010	Benoit-Gonin et al.	D9/449
D628,482 S *	12/2010	Tiesberger	D9/449
D630,093 S *	1/2011	Bardet	D9/438
D637,914 S	5/2011	Schoeneck et al.	
D638,705 S *	5/2011	Schawo	D9/443
8,056,749 B2	11/2011	Robinson	
D650,672 S	12/2011	Krallmann	
D658,445 S *	5/2012	Carreno	D7/510
D672,654 S *	12/2012	Jackel	D9/449
D681,458 S *	5/2013	Santarelli	D9/449
2005/0133475 A1 *	6/2005	Goto et al.	215/237
2005/0205607 A1 *	9/2005	Hierzer et al.	222/153.1
2006/0186079 A1 *	8/2006	Ziegenhorn	215/237
2006/0201904 A1 *	9/2006	Comeau et al.	215/237
2008/0061082 A1	3/2008	Anderson et al.	
2010/0168638 A1	7/2010	Korogi et al.	
2010/0176152 A1	7/2010	Johnson	
2010/0264145 A1	10/2010	Benoit-Gonin	
2011/0062107 A1 *	3/2011	Goto et al.	215/43
2012/0018401 A1	1/2012	Win	
2012/0024902 A1	2/2012	Westphal	
2012/0067922 A1	3/2012	Benoit-Gonin	

* cited by examiner

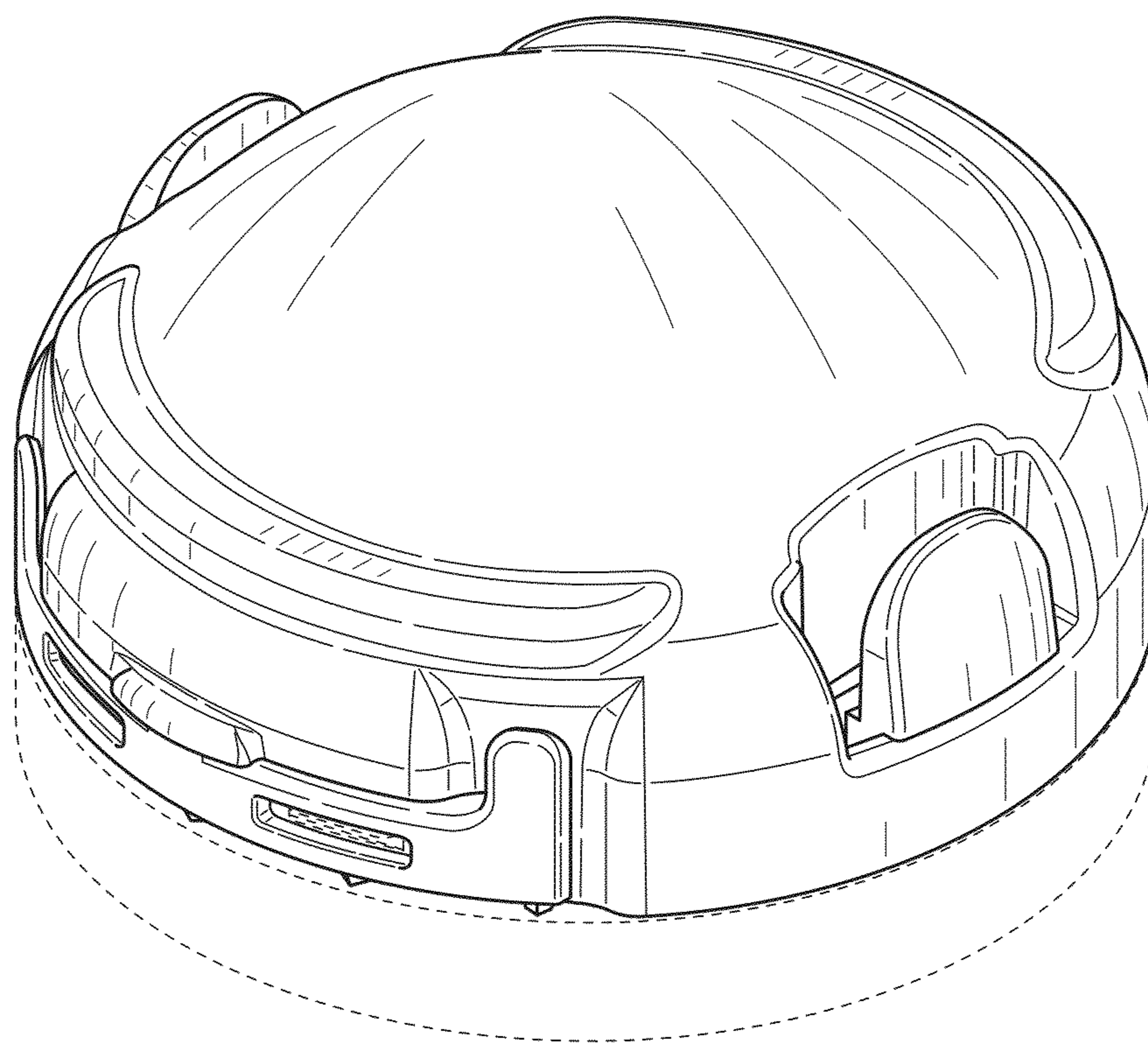


FIG. 1

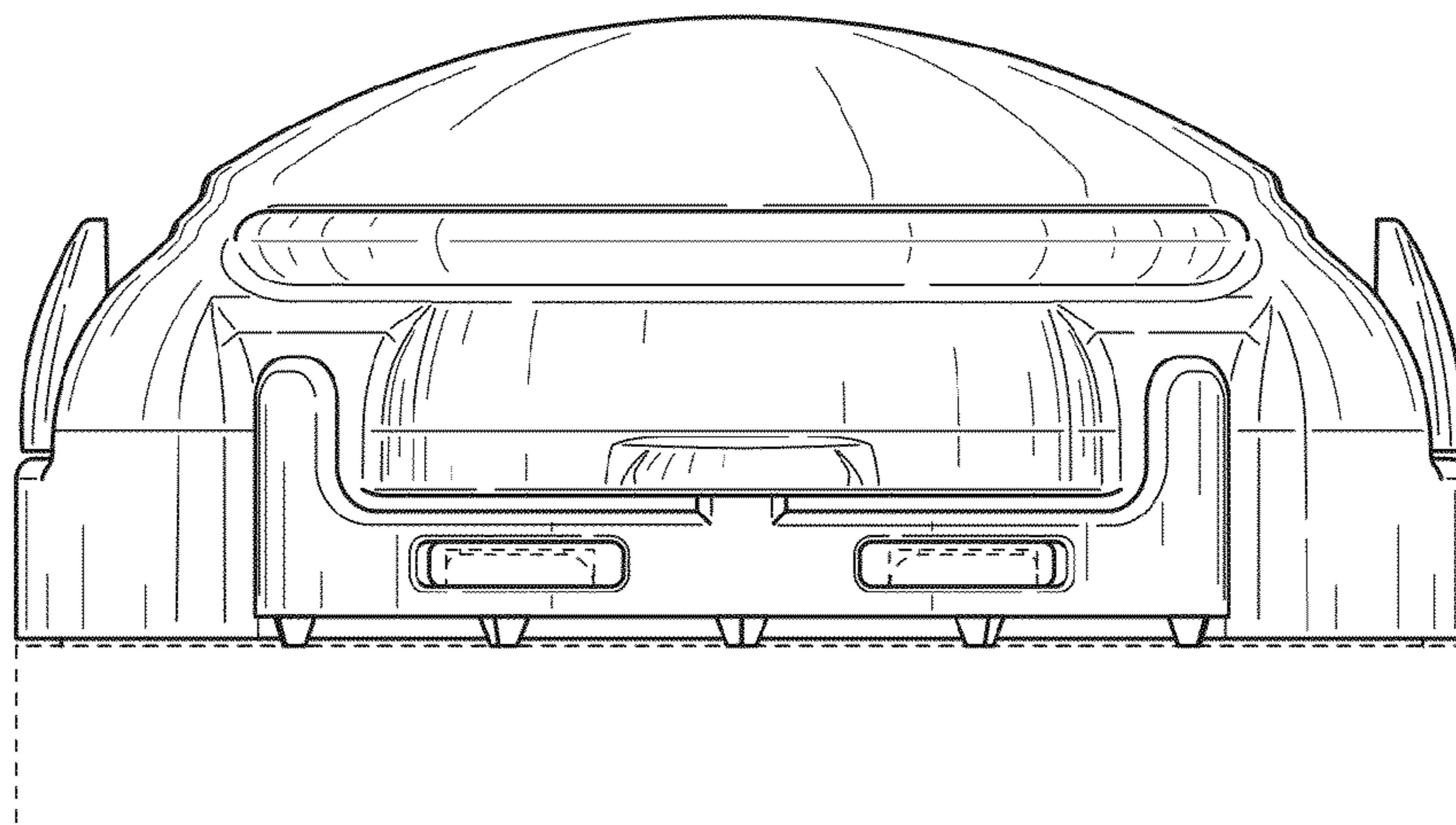


FIG. 2

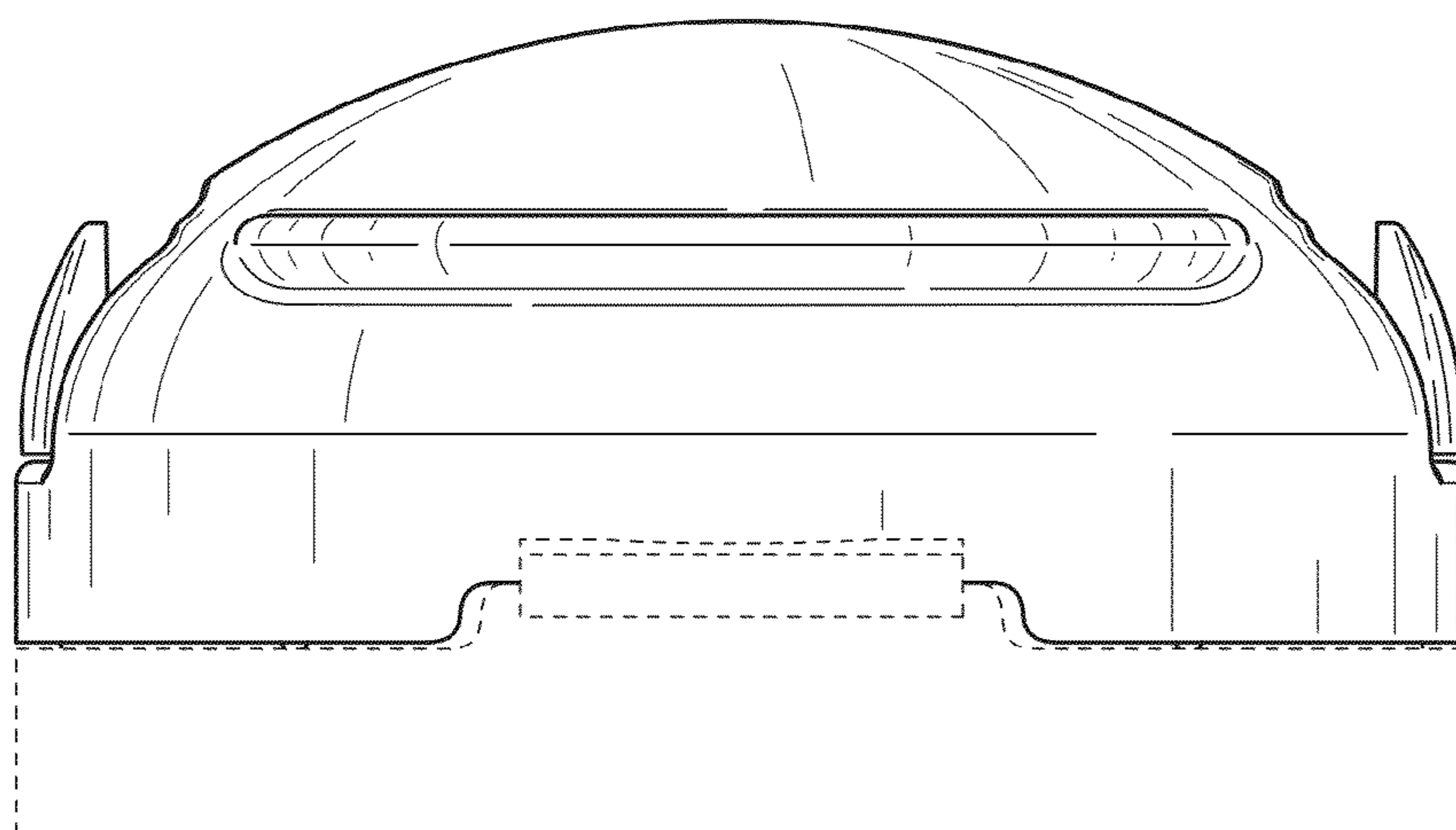


FIG. 3

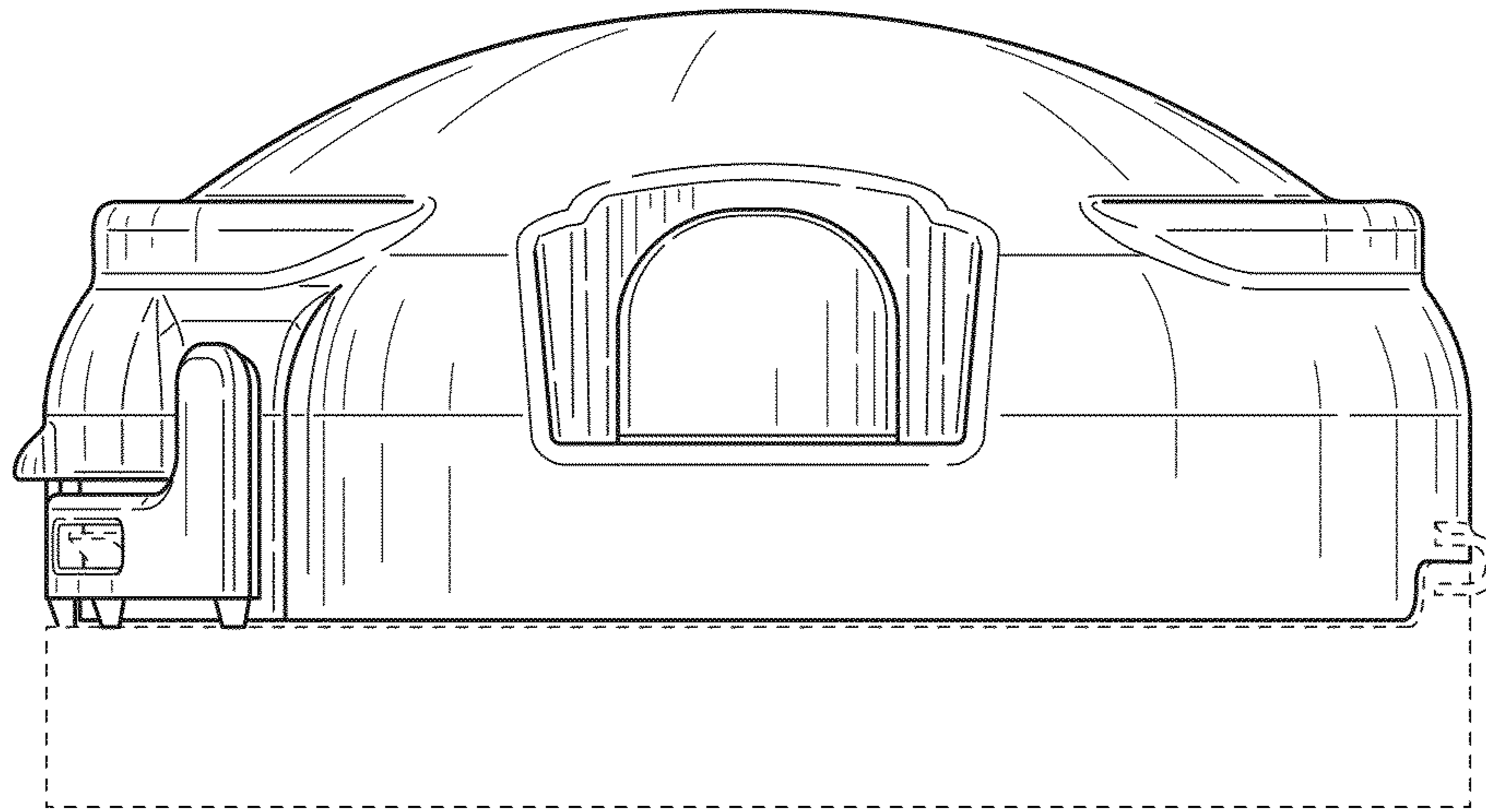


FIG. 4

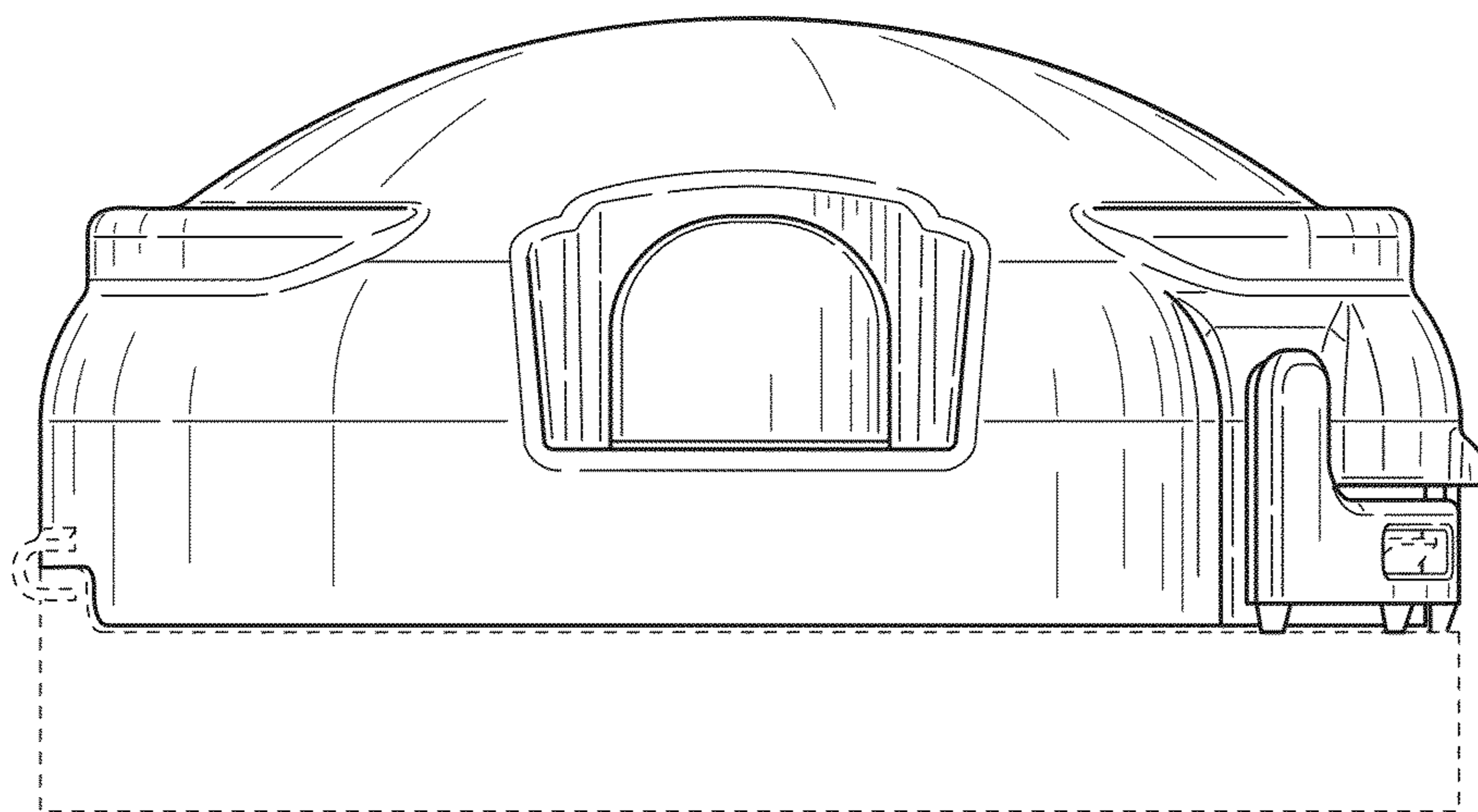


FIG. 5

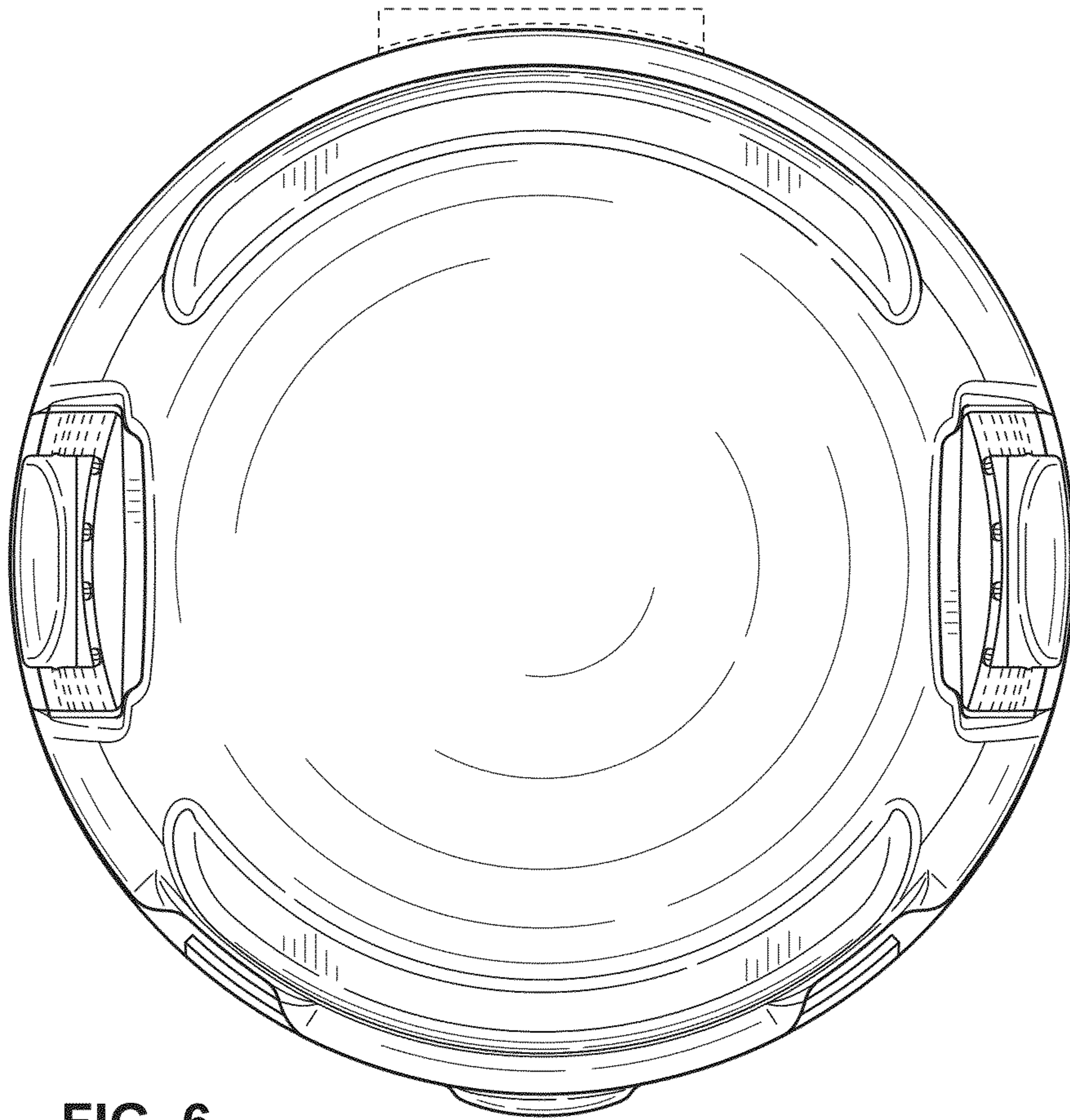


FIG. 6