



US00D727729S

(12) **United States Design Patent**  
**Shi**

(10) **Patent No.:** **US D727,729 S**  
(45) **Date of Patent:** **\*\* Apr. 28, 2015**

(54) **RECLOSABLE TOP FOR A CONTAINER**

(71) Applicant: **PopSeal, LLC**, Raleigh, NC (US)

(72) Inventor: **Xuyao Shi**, Cary, NC (US)

(\*\*) Term: **14 Years**

(21) Appl. No.: **29/472,635**

(22) Filed: **Nov. 14, 2013**

(51) **LOC (10) Cl.** ..... **09-07**

(52) **U.S. Cl.**  
USPC ..... **D9/447**

(58) **Field of Classification Search**  
CPC ..... B65D 2543/00092; B65D 2543/00296;  
B65D 2543/00518  
USPC ..... D7/387, 510, 511; D9/434-436, 438,  
D9/440, 447, 449, 454, 456, 499, 500, 503,  
D9/504; 215/262, 270, 316, 317; 220/780,  
220/782, 784

See application file for complete search history.

(56) **References Cited**

**U.S. PATENT DOCUMENTS**

D32,681 S *	5/1900	Morgenthaler	.....	D9/434
D213,178 S *	1/1969	Nearing	.....	D9/456
D403,964 S *	1/1999	Jansen	.....	D9/772
D411,800 S *	7/1999	Kokenge et al.	.....	D9/454
D445,687 S *	7/2001	Gilbertson	.....	D9/454
D448,669 S *	10/2001	Carducci et al.	.....	D9/454
D597,836 S *	8/2009	Stuart	.....	D9/454
D628,894 S *	12/2010	Pontes	.....	D9/454

8,191,728 B2 *	6/2012	Auer et al.	.....	220/784
8,215,513 B1 *	7/2012	Grissom	.....	220/268
8,403,174 B2 *	3/2013	Blake et al.	.....	220/780
8,424,711 B2 *	4/2013	Charbonnet et al.	.....	220/713
2009/0078715 A1 *	3/2009	Kim	.....	220/782

**OTHER PUBLICATIONS**

Prizm Systems LLC. Popseal beverage Can Top Redesign. Nov. 20, 2013 [online], [site visited Jan. 22, 2015]. Available from Internet, <URL:http://prizmsystemsllc.com/?p=15>.\*

Popseal. About Popseal. 2013 [online], [site visited Feb. 5, 2015]. Available from Internet, <URL:http://popseal.com/about-popseal/>.\*

\* cited by examiner

*Primary Examiner* — Robert M Spear

*Assistant Examiner* — Darcey E Heflin

(74) *Attorney, Agent, or Firm* — David L. Banner

(57) **CLAIM**

The ornamental design for a reclosable top for a container, as shown and described.

**DESCRIPTION**

FIG. 1 is an isometric view of a reclosable top for a container, showing our new design;

FIG. 2 is a top plan view thereof;

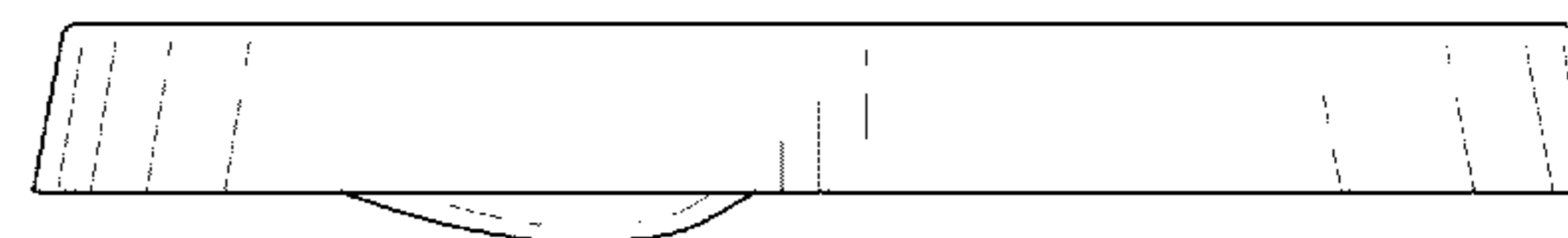
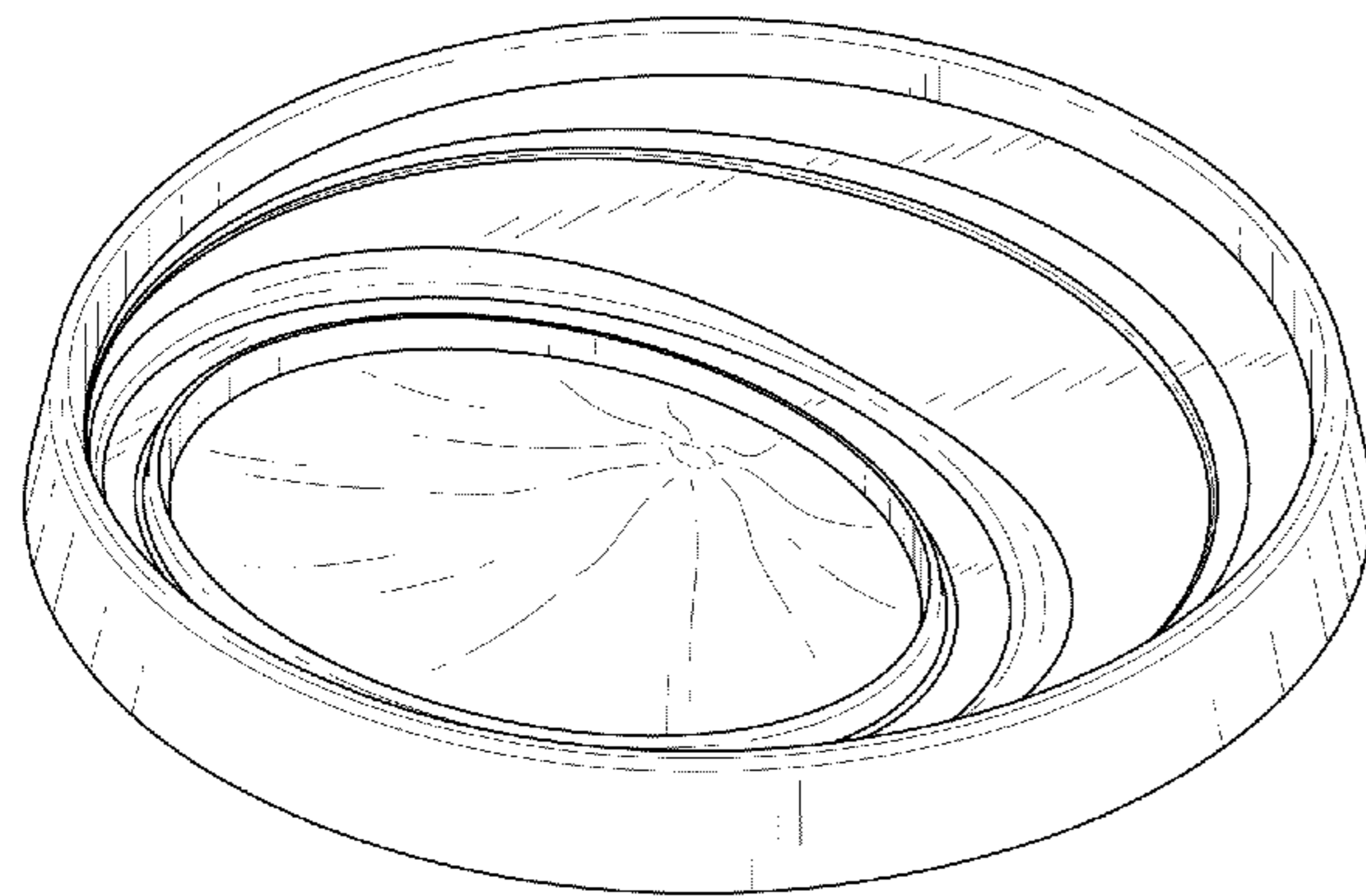
FIG. 3 is a bottom plan view thereof;

FIG. 4 is a left or right elevational view thereof

FIG. 5 is a front or rear elevational view thereof; and,

FIG. 6 is a cross-sectional view taken along line 6-6 of FIG. 2.

**1 Claim, 3 Drawing Sheets**



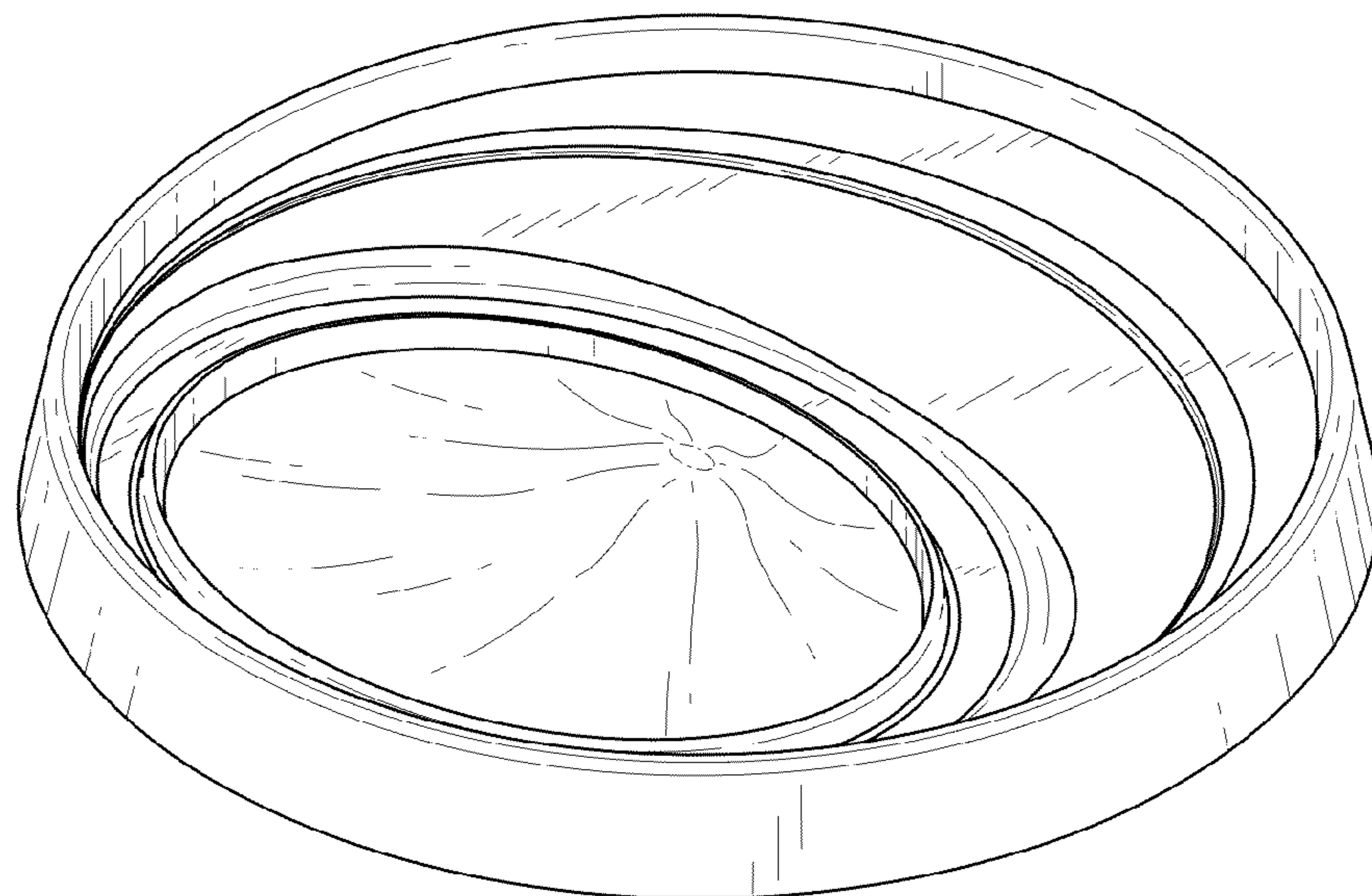


FIG. 1

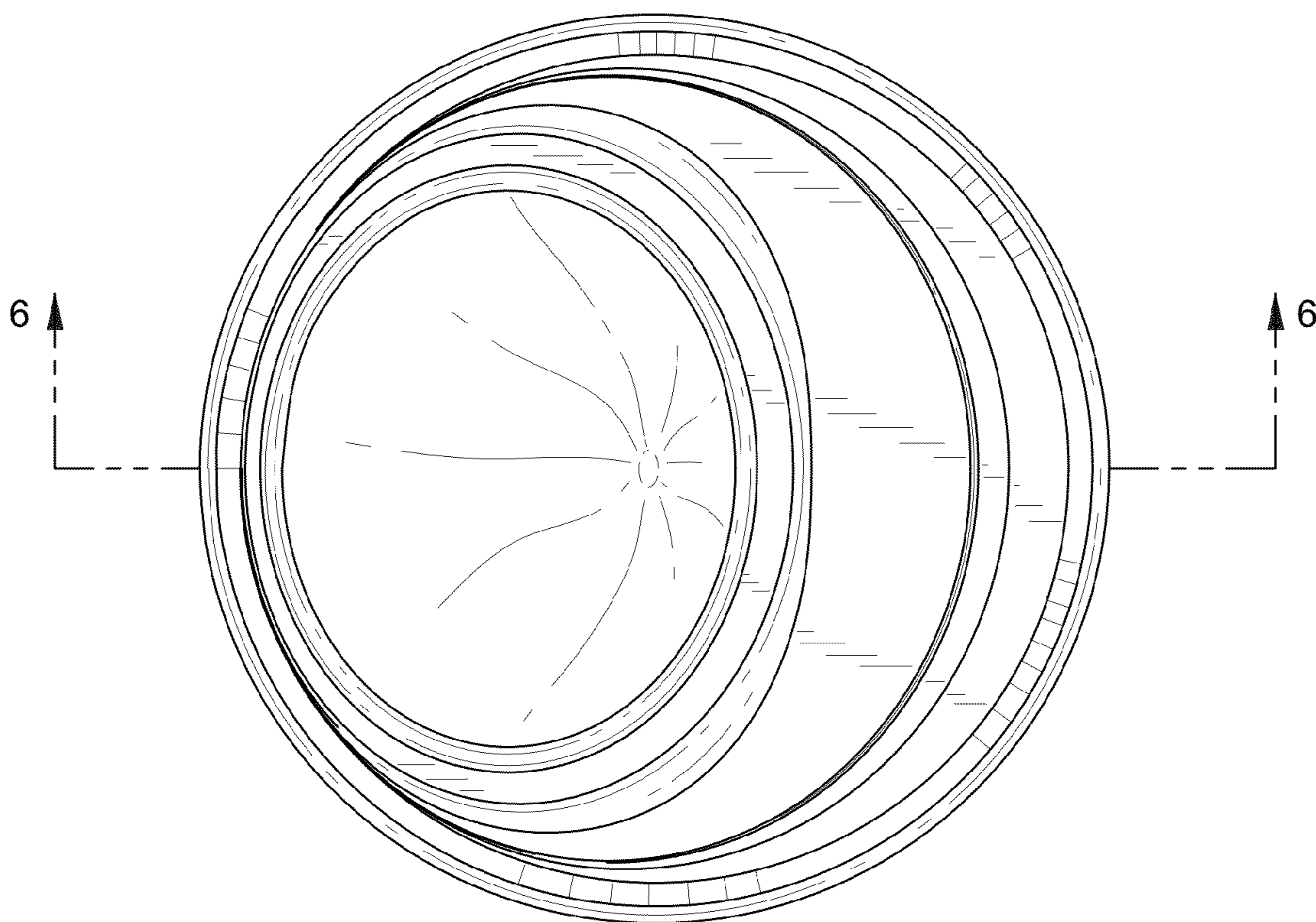


FIG. 2

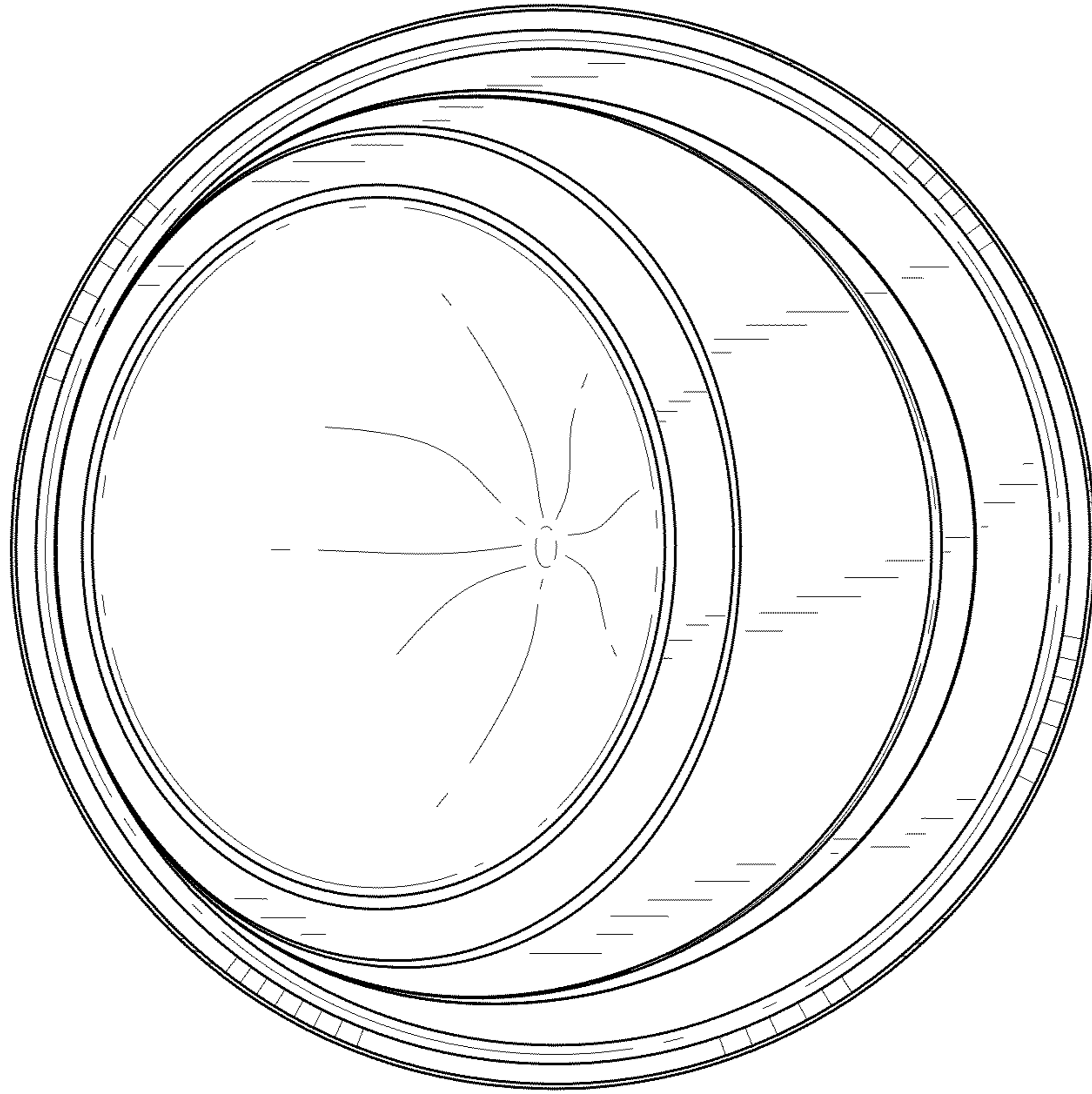


FIG. 3

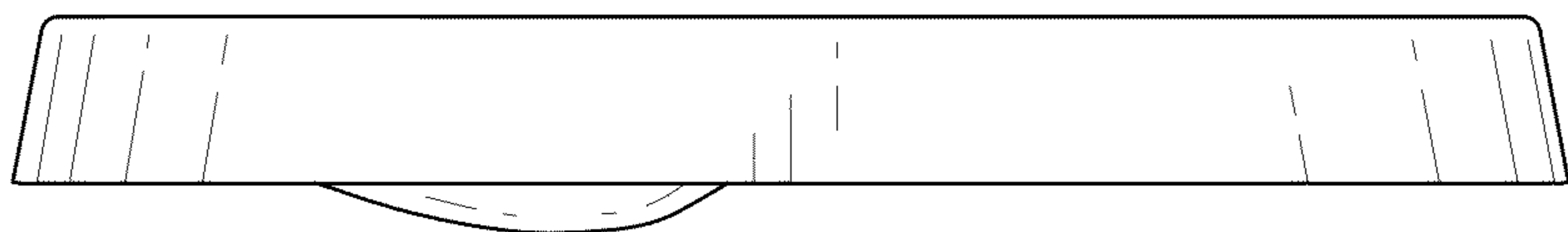


FIG. 4

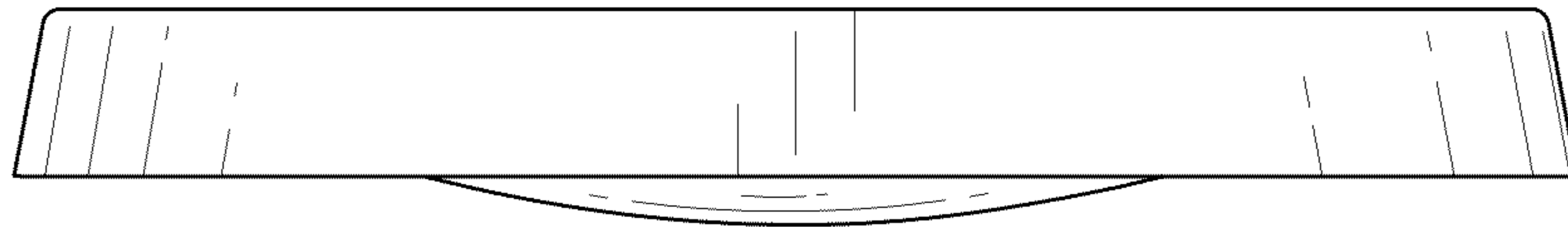


FIG. 5

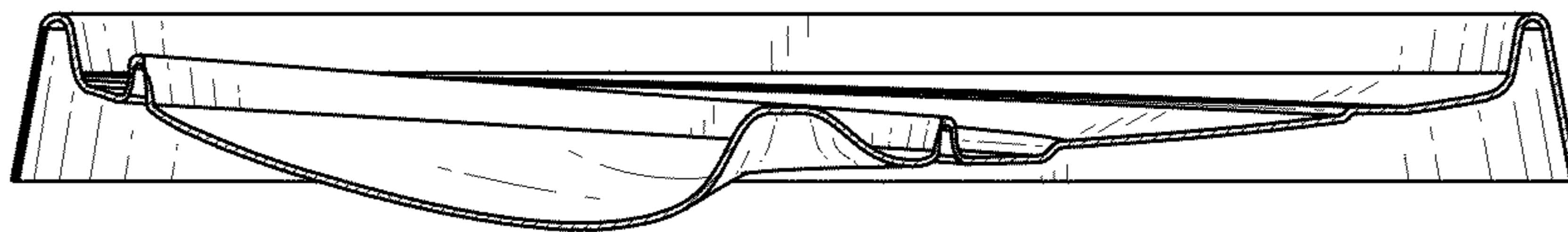


FIG. 6