

US00D727727S

(12) **United States Design Patent**
Fily

(10) **Patent No.:** **US D727,727 S**
(45) **Date of Patent:** **** Apr. 28, 2015**

(54) **SLIDING OVERCAP FOR DISPENSING CONTAINER**

D701,763 S * 4/2014 Chur D9/435
2006/0191947 A1 8/2006 Jedryk et al.
2007/0131738 A1 6/2007 Erdie
2010/0206907 A1 8/2010 Angus et al.

(71) Applicant: **Galderma Research & Development,**
Sophia Antipolis (FR)

FOREIGN PATENT DOCUMENTS

(72) Inventor: **Sebastien Fily,** Sophia Antipolis (FR)

FR 2675116 A3 10/1992
GB 1358699 A 7/1974

(73) Assignee: **Galderma R&D,** Sophia Antipolis (FR)

OTHER PUBLICATIONS

(**) Term: **14 Years**

Int'l Search Report and Written Opinion issued Feb. 26, 2014 in Int'l Application No. PCT/US2013/077963.
U.S. Appl. No. 13/729,229 by Fily, filed Dec. 28, 2012.

(21) Appl. No.: **29/468,270**

* cited by examiner

(22) Filed: **Sep. 27, 2013**

(51) **LOC (10) Cl.** **09-01**

Primary Examiner — Robert M Spear
Assistant Examiner — Marissa J Cash

(52) **U.S. Cl.**

USPC **D9/445**

(74) *Attorney, Agent, or Firm* — Panitch Schwarze Belisario & Nadel LLP

(58) **Field of Classification Search**

USPC D7/396.2, 507, 509, 510, 511;
D9/434-455, 524, 682, 685, 694;
215/200, 235, 236, 252, 254, 329,
215/355-364; 220/203.04-203.07, 220,
220/254.1, 254.4, 556, 703, 704, 705;
D6/542-545; D23/206, 260; 294/27.1,
294/145

See application file for complete search history.

(57) **CLAIM**

The ornamental design for a sliding overcap for dispensing container, as shown and described.

DESCRIPTION

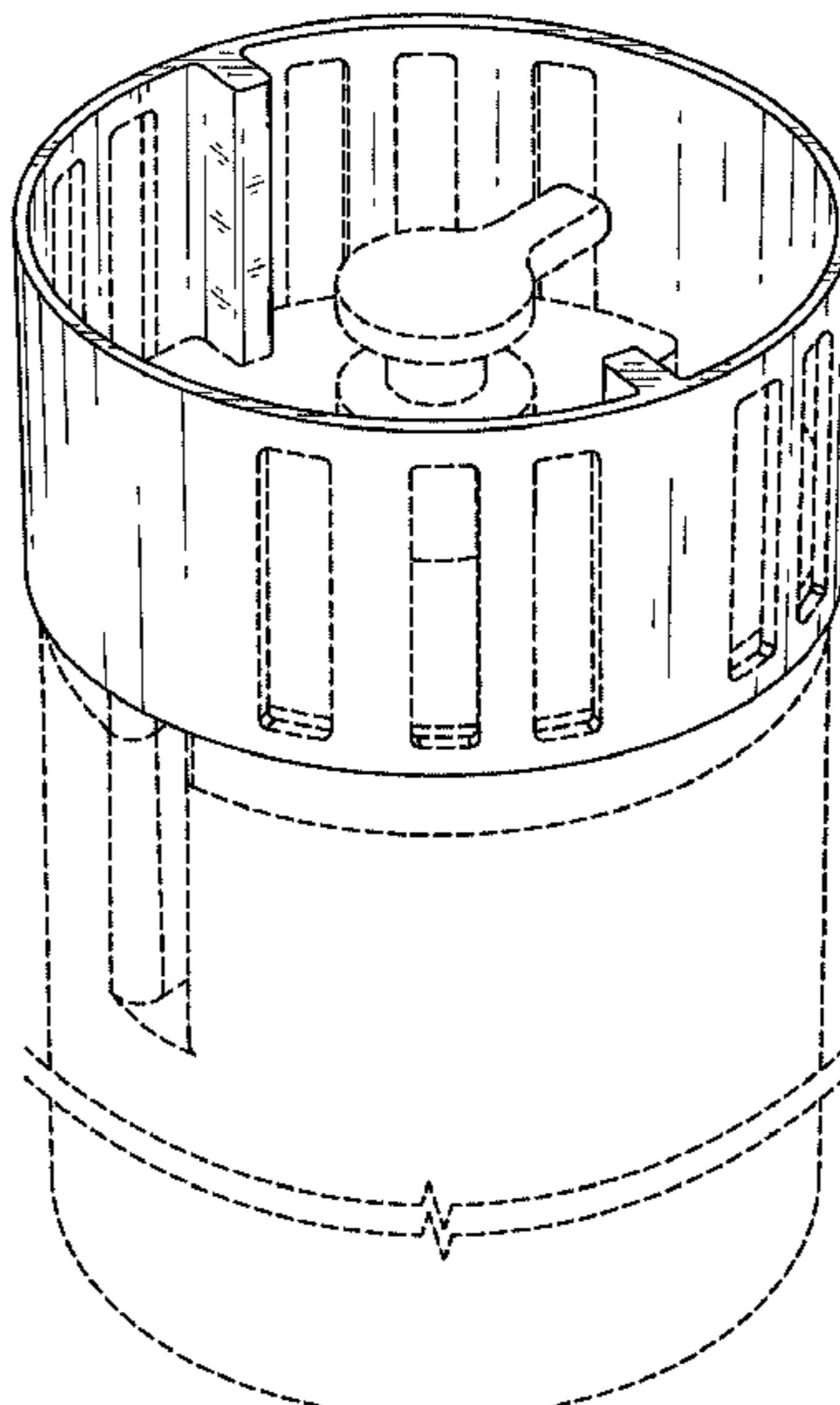
(56) **References Cited**

U.S. PATENT DOCUMENTS

2,818,997 A 1/1958 Henchert
D204,822 S * 5/1966 Barker D23/206
4,787,508 A 11/1988 Wu et al.
D306,639 S * 3/1990 Wills D23/205
5,499,747 A 3/1996 Quennessen
5,704,471 A 1/1998 Yamada
7,044,337 B1 5/2006 Kou
D616,747 S * 6/2010 Stull et al. D9/452
8,043,005 B2 10/2011 Lyon et al.
8,308,029 B2 11/2012 Ki
D679,592 S * 4/2013 Stull et al. D9/452

FIG. 1 is a top perspective view of a sliding overcap for dispensing container in accordance with my new design; FIG. 2 is a top plan view thereof, wherein a bottom plan view thereof is identical; FIG. 3 is a front elevational view thereof, wherein a rear elevational thereof is identical; and, FIG. 4 is left side elevational view thereof, wherein a right side elevational view is identical. The broken lines in the figures are for the purpose of showing unclaimed environmental structure only and form no part of the claimed design.

1 Claim, 3 Drawing Sheets



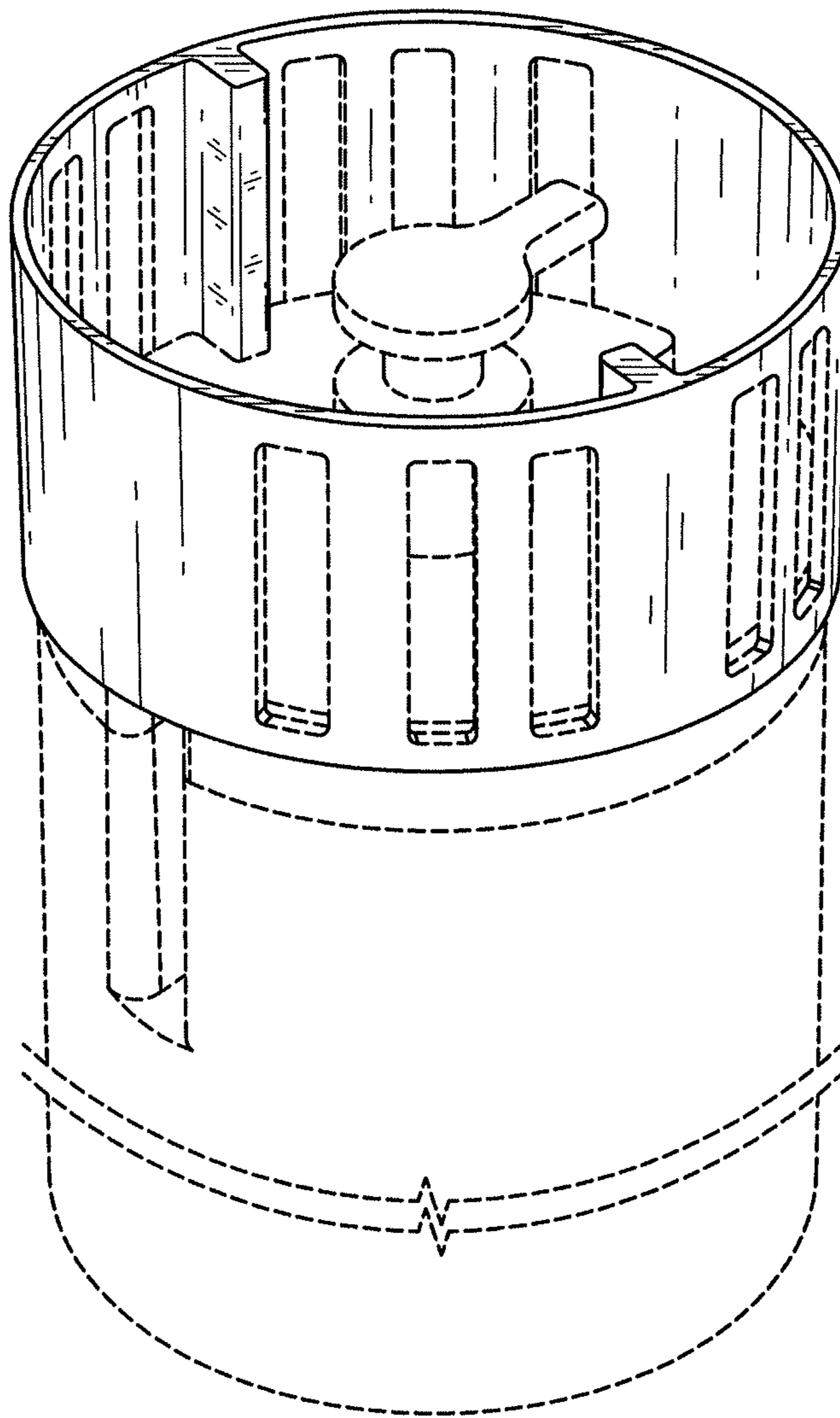


Fig. 1

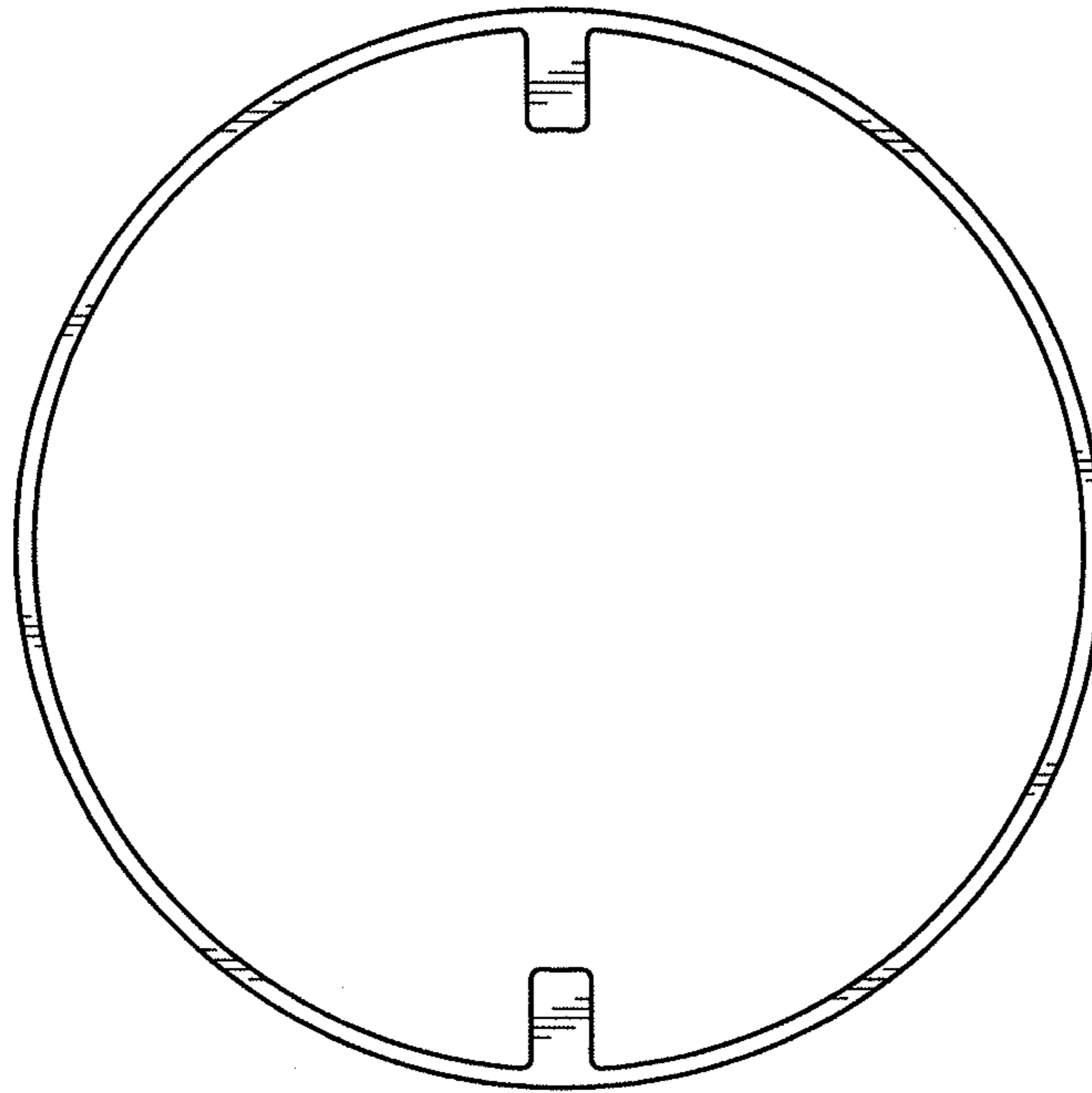


Fig. 2

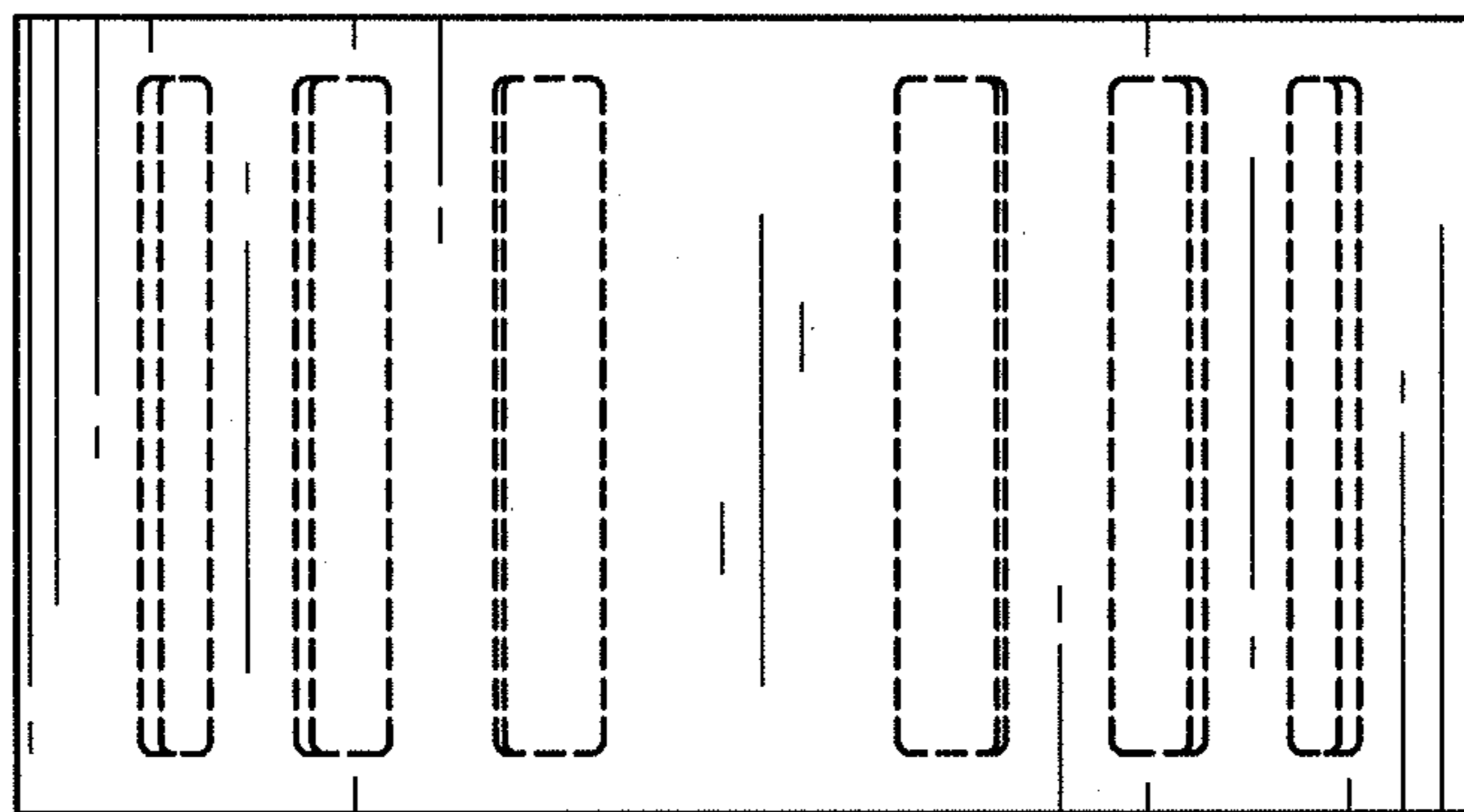


Fig. 3

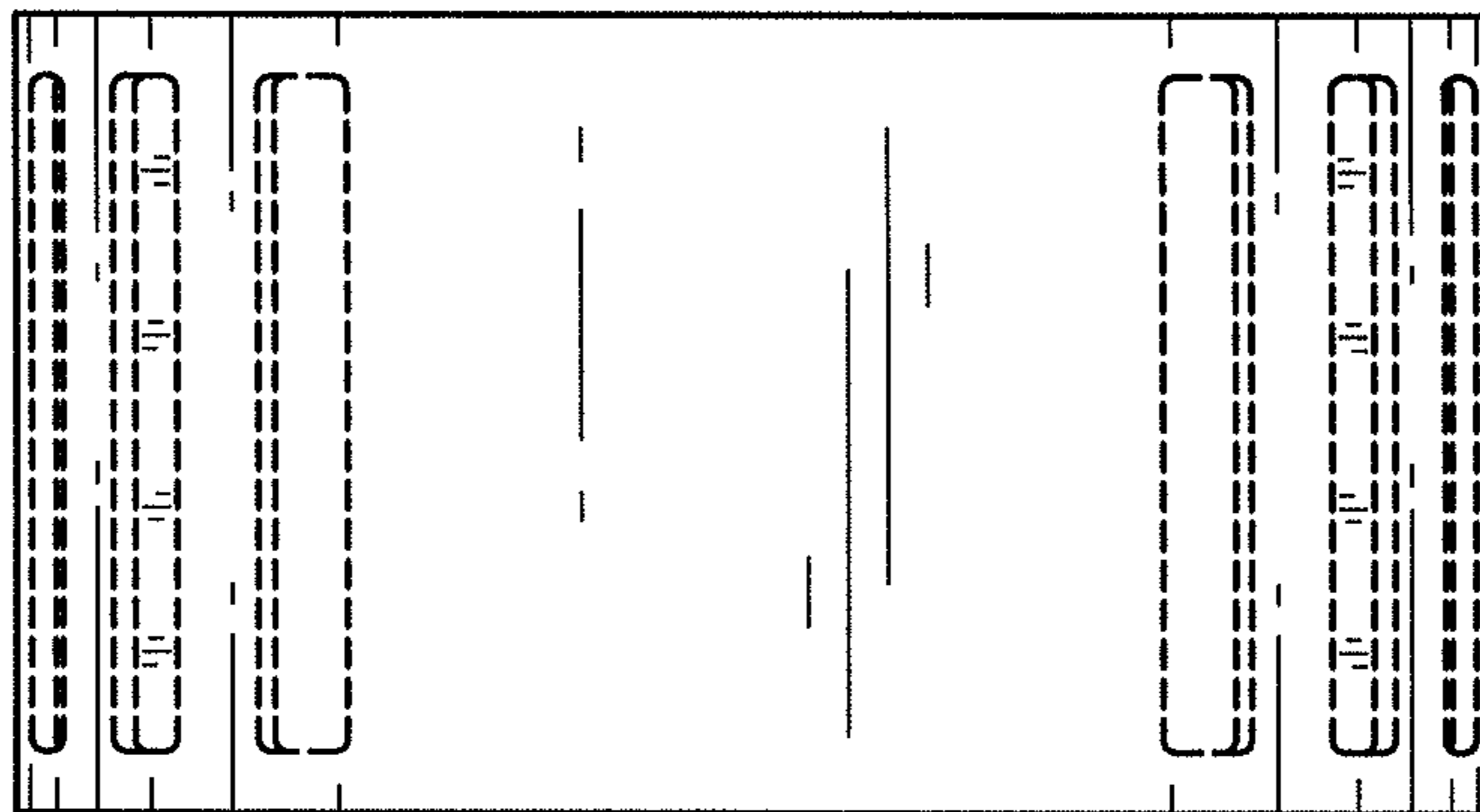


Fig. 4