



US00D727726S

(12) **United States Design Patent**
Friedman

(10) **Patent No.:** **US D727,726 S**

(45) **Date of Patent:** **** Apr. 28, 2015**

(54) **TAMPER-EVIDENT BOTTLE CAP**

(71) Applicant: **Robert Friedman**, Irvine, CA (US)

(72) Inventor: **Robert Friedman**, Irvine, CA (US)

(**) Term: **14 Years**

(21) Appl. No.: **29/469,408**

(22) Filed: **Oct. 9, 2013**

(51) **LOC (10) Cl.** **09-07**

(52) **U.S. Cl.**

USPC **D9/443**

(58) **Field of Classification Search**

CPC B65D 43/04; B65D 23/00

USPC D7/396.2; D9/434, 435, 436, 443, 446,

D9/454, 499; 215/43, 305; 220/212.5, 752,

220/755

See application file for complete search history.

(56) **References Cited**

U.S. PATENT DOCUMENTS

D351,793 S * 10/1994 Stoller D9/443

D367,613 S * 3/1996 Weiler D9/520

5,941,404 A * 8/1999 Charrette 215/305

D443,512 S * 6/2001 Kishita et al. D9/443

D482,975 S * 12/2003 Nottingham et al. D9/532

D573,475 S * 7/2008 Nottingham et al. D9/531

D594,750 S * 6/2009 Westphal D9/536

D616,748 S * 6/2010 Nakamura et al. D9/503

D621,705 S * 8/2010 Breckan D9/443

D621,706 S * 8/2010 Breckan D9/443

D621,707 S * 8/2010 Breckan D9/443

D636,264 S * 4/2011 Wassum et al. D9/453

D640,552 S * 6/2011 Eiteljorg et al. D9/443

* cited by examiner

Primary Examiner — Robert M Spear

(74) *Attorney, Agent, or Firm* — Kafantaris Law Offices;
Theo Kafantaris

(57) **CLAIM**

The ornamental design for a tamper evident bottle cap, as shown and described.

DESCRIPTION

FIG. 1 is a perspective view of a tamper-evident bottle cap attached to a bottle showing my new design;

FIG. 2 is a top view thereof;

FIG. 3 is a front view thereof;

FIG. 4 is a bottom view thereof;

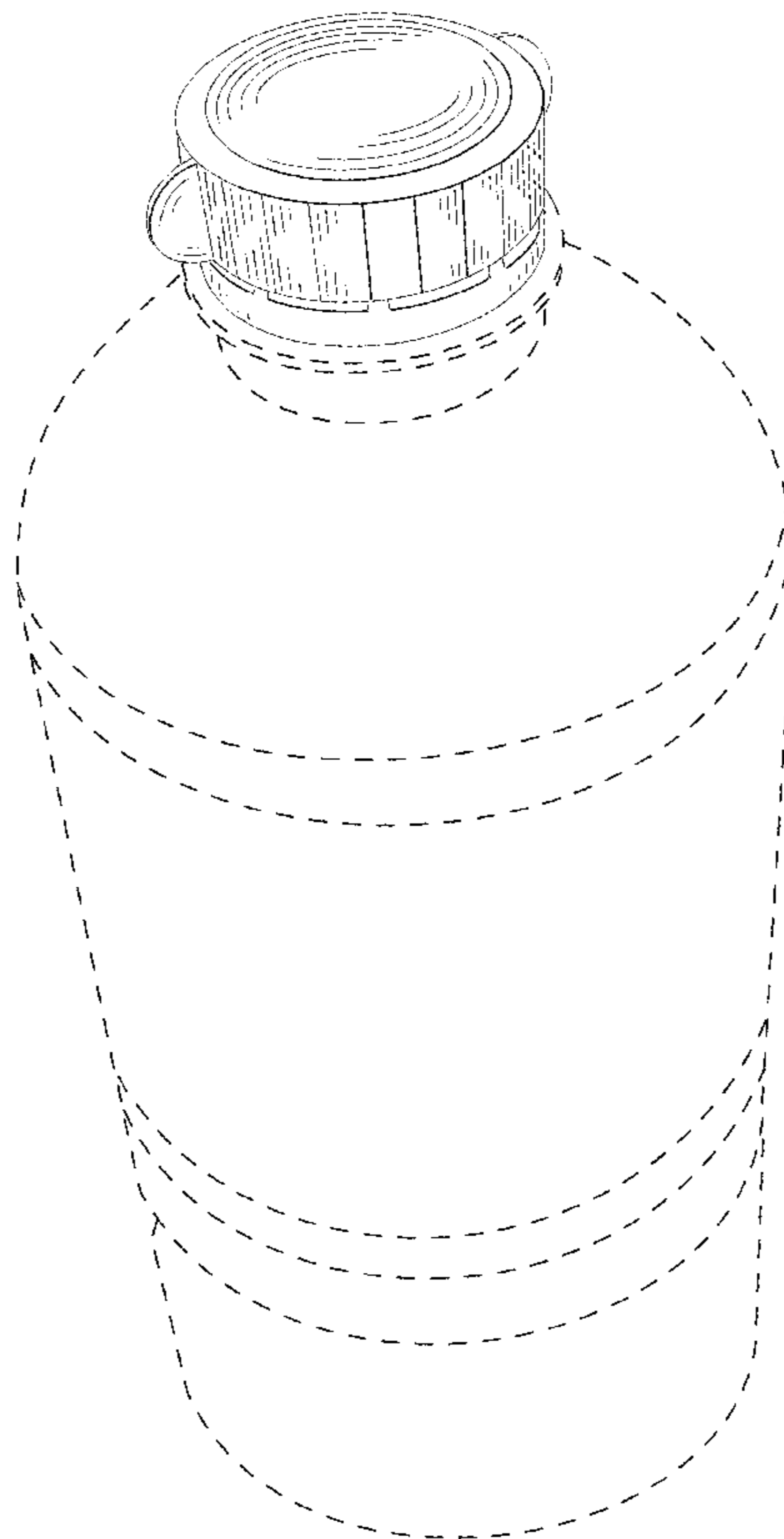
FIG. 5 is a perspective view thereof;

FIG. 6 is a side view thereof; and,

FIG. 7 is a front sectional view thereof showing threading.

The broken lines in the drawings depict a bottle that forms no part of the claim.

1 Claim, 3 Drawing Sheets



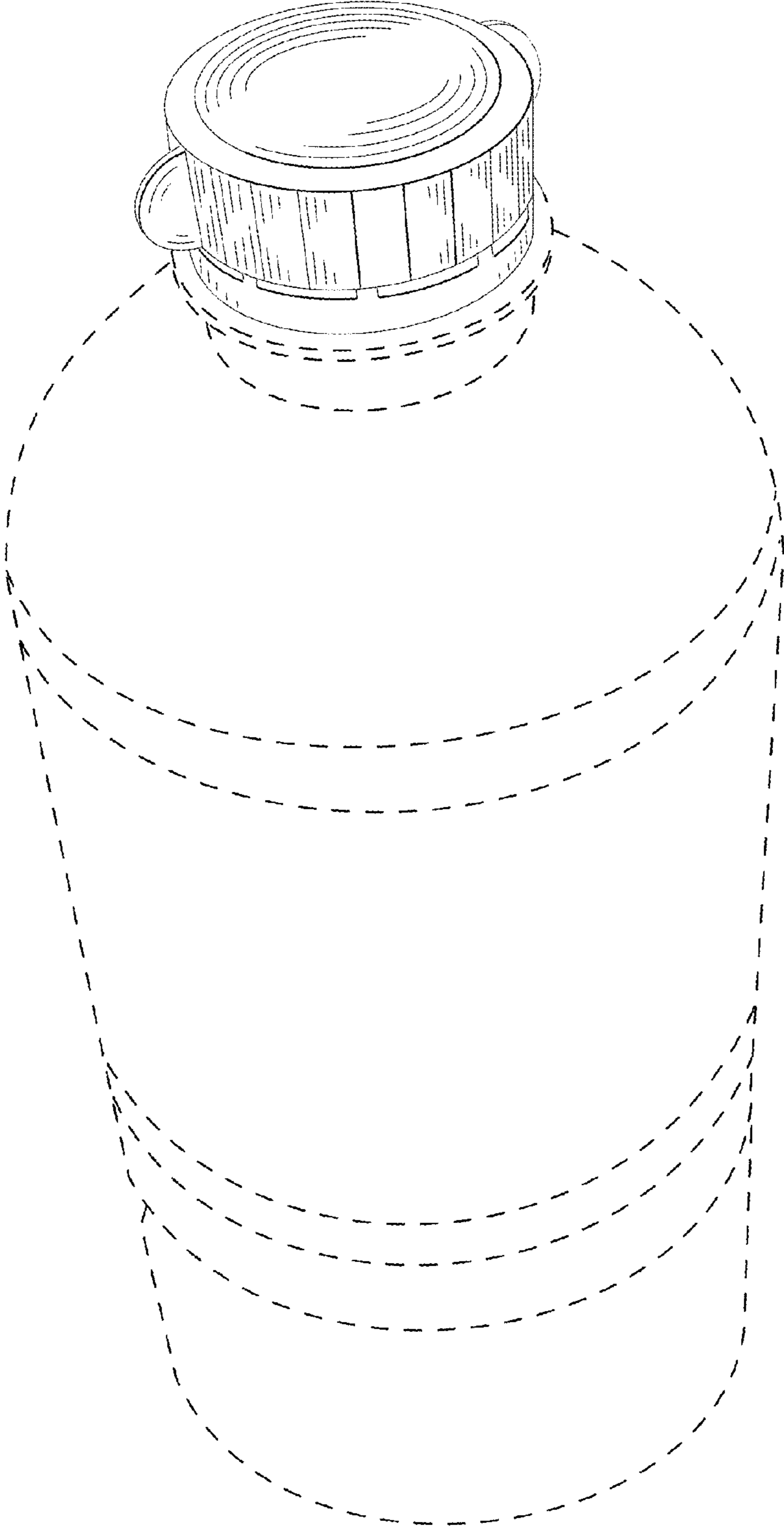


FIG. 1

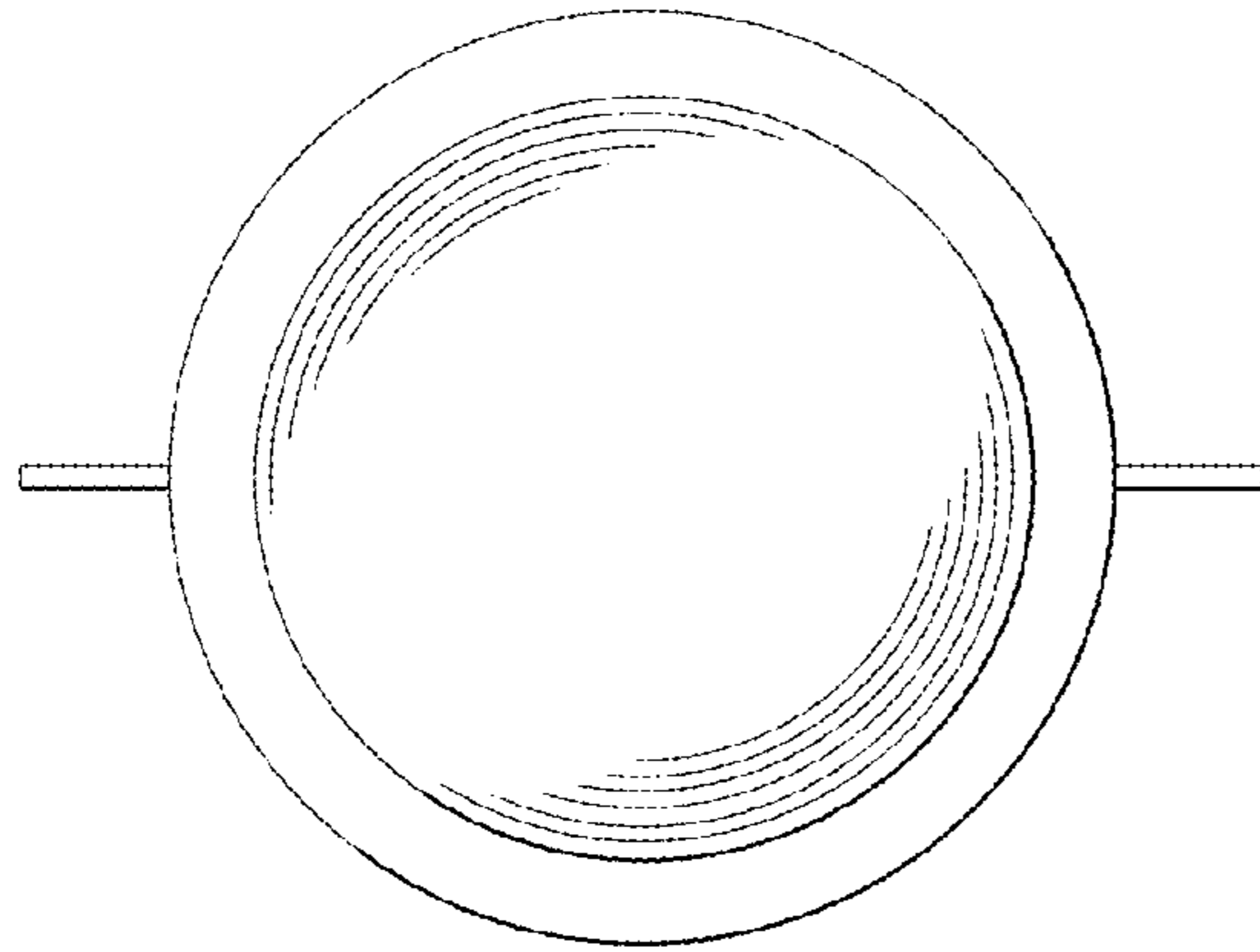


FIG. 2

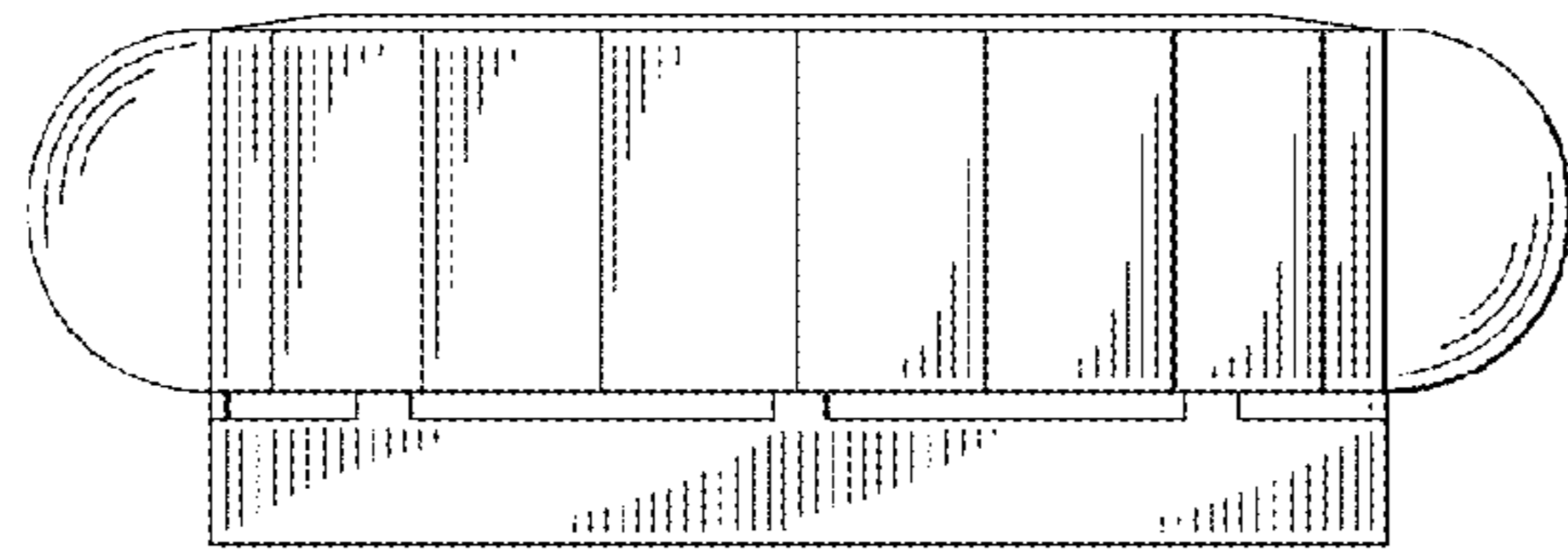


FIG. 3

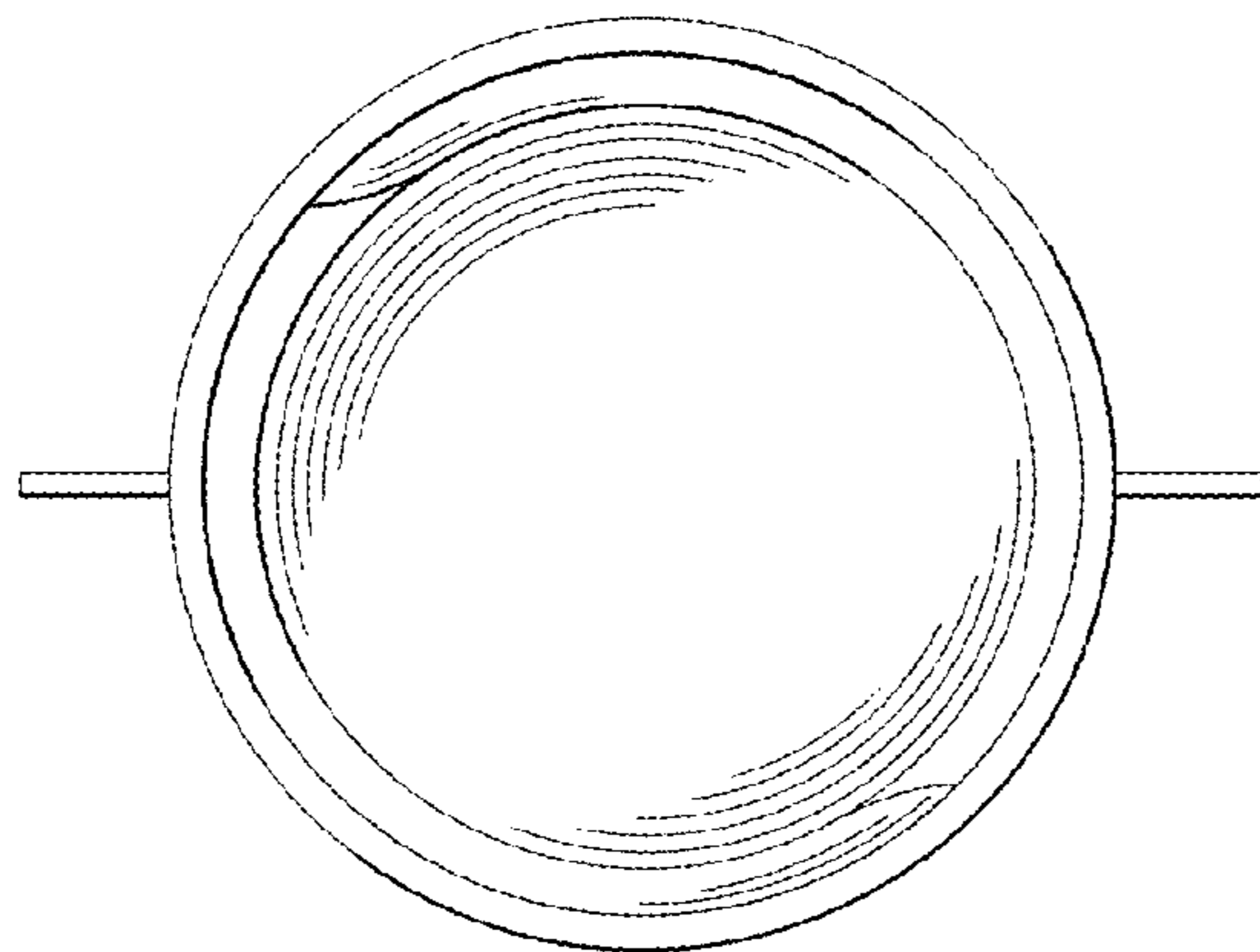


FIG. 4

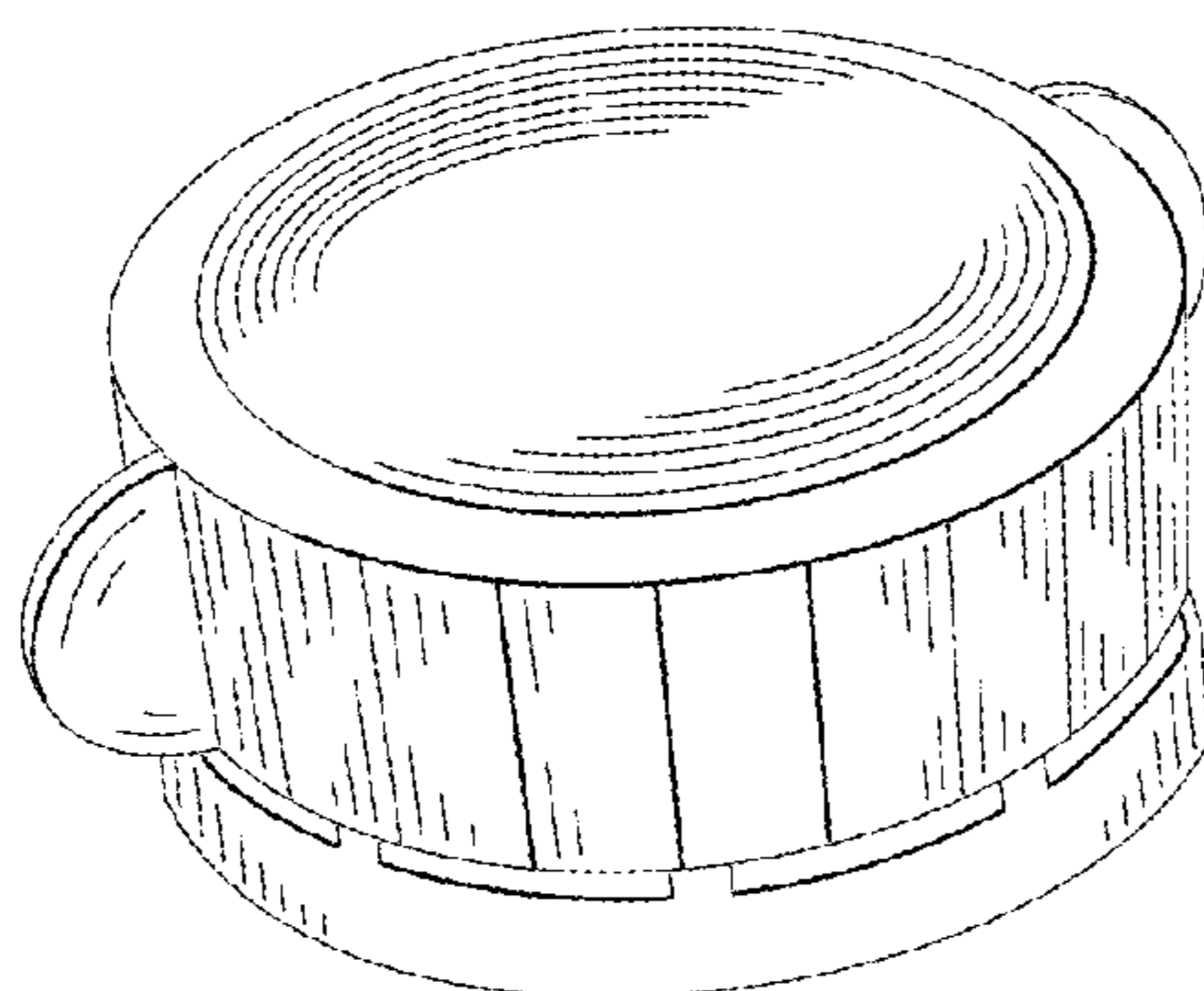


FIG. 5

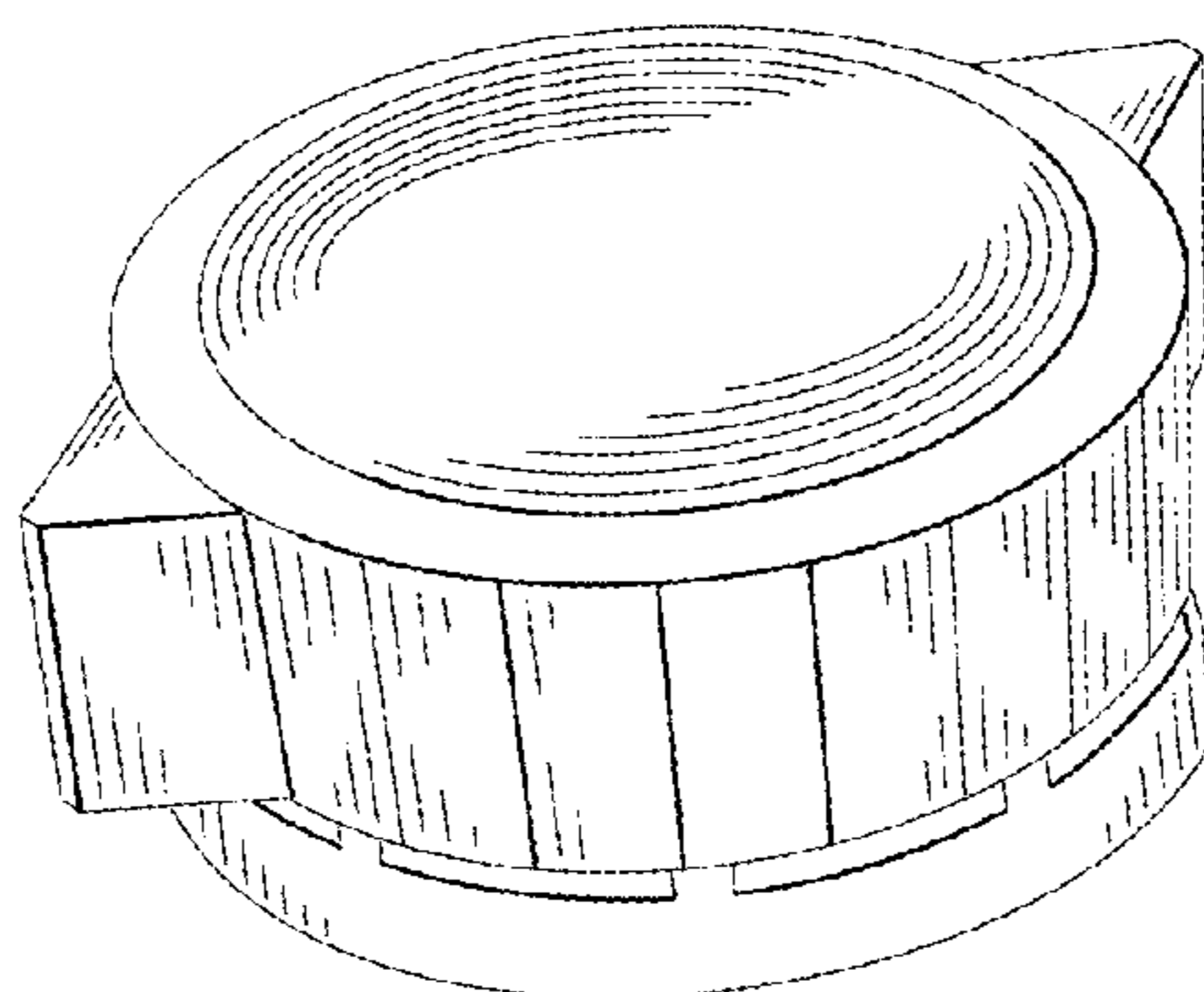


FIG. 6

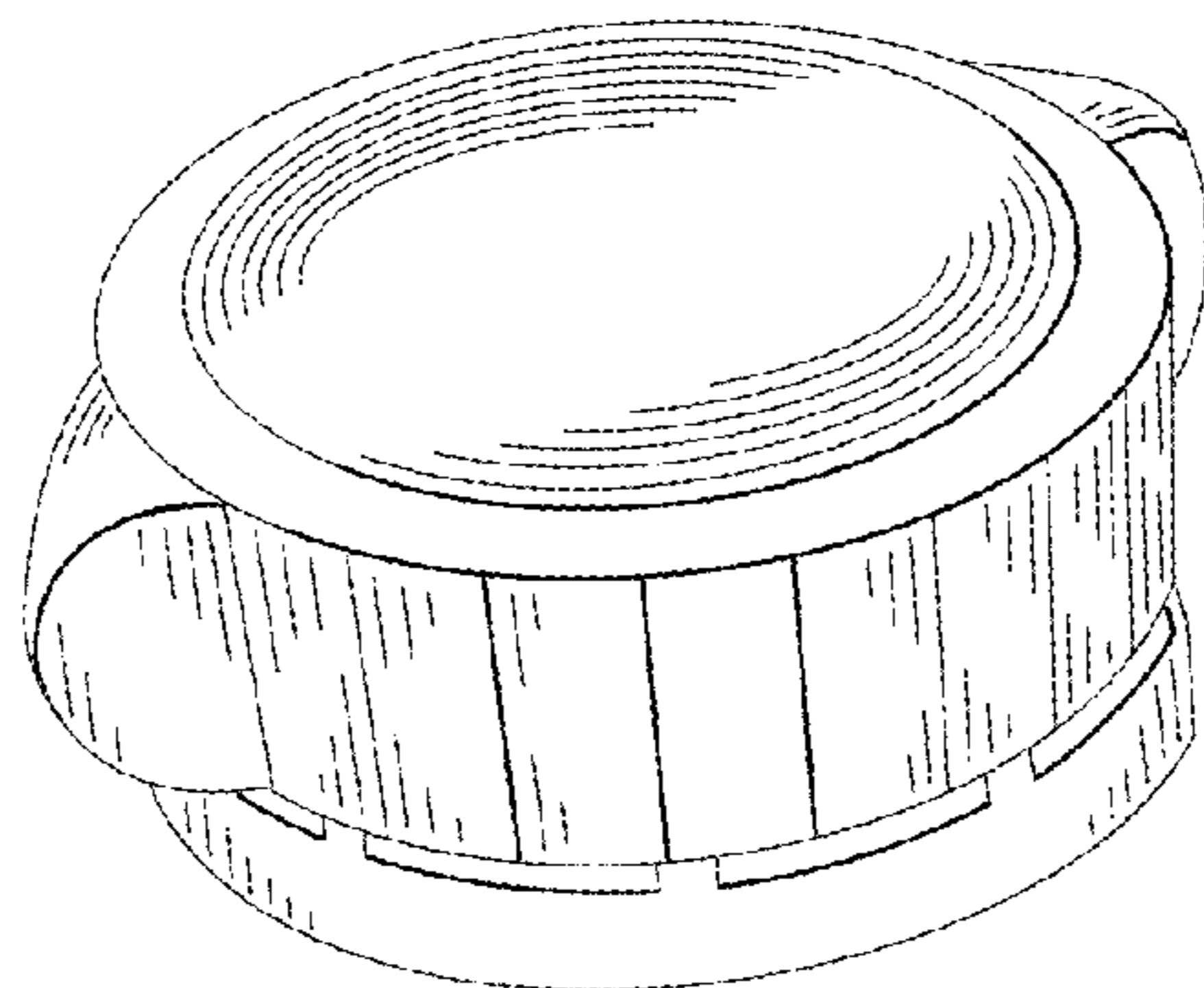


FIG. 7