



US00D727724S

(12) **United States Design Patent**
Pipes et al.

(10) **Patent No.:** **US D727,724 S**
(45) **Date of Patent:** **** Apr. 28, 2015**

(54) **CONTAINER**

(56) **References Cited**

(71) Applicant: **R.J. Reynolds Tobacco Company**,
Winston-Salem, NC (US)
(72) Inventors: **Jerry Wayne Pipes**, Clermmons, NC
(US); **Pankaj Patel**, Clermmons, NC
(US); **Melissa Ann Clark**, Mocksville,
NC (US); **Laya Katina Horton**,
Winston-Salem, NC (US); **William**
Travis Lintner, Winston-Salem, NC
(US)
(73) Assignee: **R.J. Reynolds Tobacco Company**,
Winston-Salem, NC (US)

U.S. PATENT DOCUMENTS

2,977,019 A	3/1961	Henchert
3,894,654 A	7/1975	Frankenberg
4,190,170 A	2/1980	Boyd
5,566,854 A	10/1996	Rojek
5,782,371 A	7/1998	Baerenwald et al.
D469,607 S	2/2003	Wolff
7,014,039 B2	3/2006	Henson et al.
D568,739 S *	5/2008	Darr D9/434
D661,543 S *	6/2012	Bouveret et al. D7/392.1
D686,450 S *	7/2013	Yessin et al. D7/392.1
D692,298 S *	10/2013	Pipes et al. D9/434
2004/0217116 A1	11/2004	Offerman et al.
2005/0279657 A1	12/2005	Bjerregaard et al.
2008/0215440 A1	9/2008	Peterson et al.
2009/0223988 A1	9/2009	Wichowski
2010/0012535 A1	1/2010	Coile et al.
2010/0018882 A1	1/2010	St. Charles
2011/0186579 A1	8/2011	Bailey et al.
2012/0074157 A1	3/2012	Dunwoody

(**) Term: **14 Years**

(21) Appl. No.: **29/484,033**

FOREIGN PATENT DOCUMENTS

(22) Filed: **Mar. 5, 2014**

WO WO 2012/122137 9/2012

* cited by examiner

Related U.S. Application Data

(62) Division of application No. 29/465,934, filed on Sep. 3, 2013, now Pat. No. Des. 704,050, which is a division of application No. 29/408,134, filed on Dec. 7, 2011, now Pat. No. Des. 692,298.

Primary Examiner — Robert M Spear

Assistant Examiner — Marissa J Cash

(74) *Attorney, Agent, or Firm* — Womble Carlyle Sandridge Sandridge & Rice, LLP

(51) **LOC (10) Cl.** **09-07**

(57) **CLAIM**

The ornamental design for a container, as shown and described.

(52) **U.S. Cl.**

USPC **D9/435**; D9/428; D9/438

DESCRIPTION

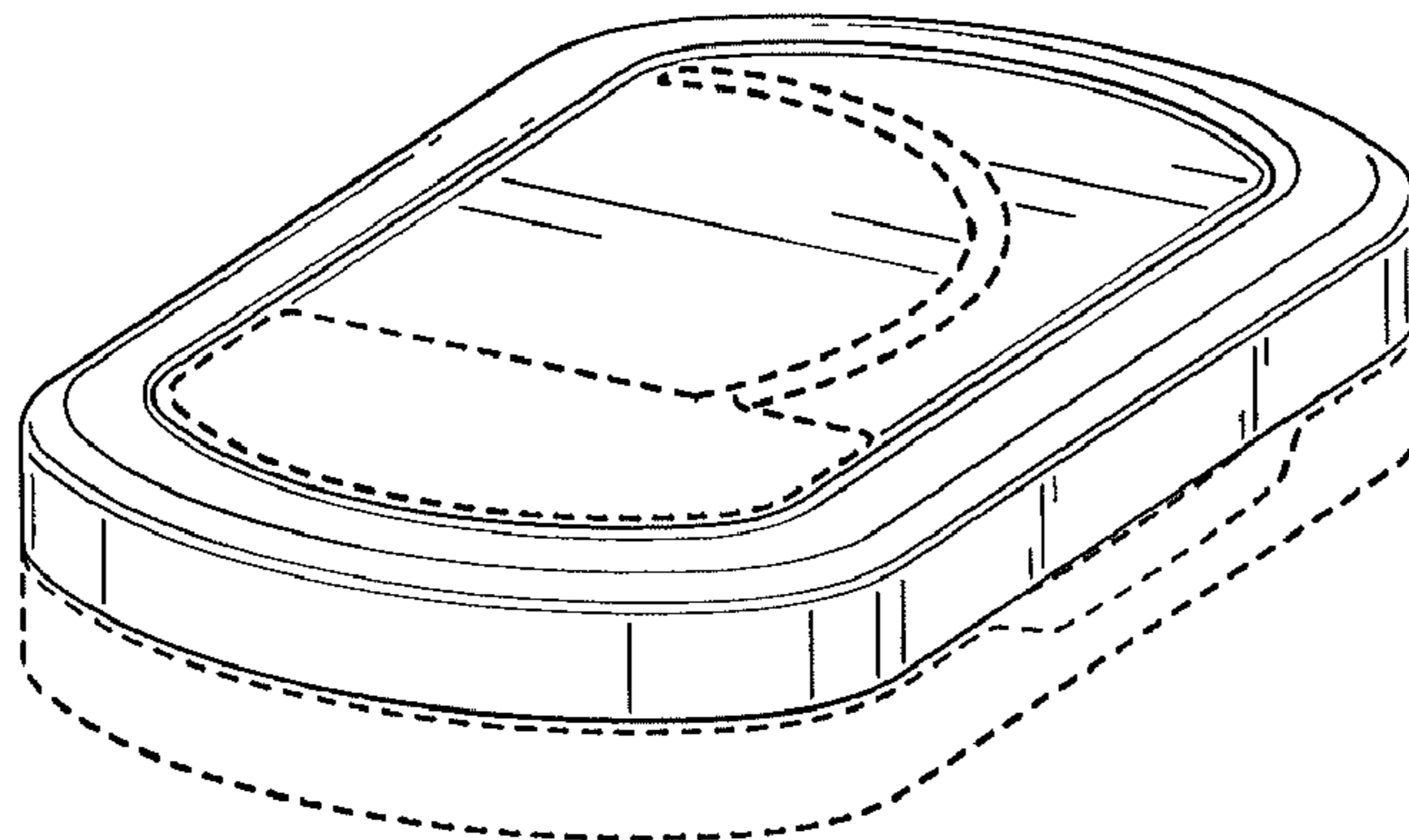
(58) **Field of Classification Search**

USPC D9/434, 425, 428, 432, 438, 454, 763, D9/767, 772, 780; D7/392.1, 396.2, 541, D7/553.2, 605, 627; 220/265, 271, 272, 220/276, 366.1, 367.1, 906, 254.1, 356.1, 220/270, 273, 377, 703, 711, 713; 229/406, 229/123.2

FIG. 1 is a top perspective view of a container showing our design;
FIG. 2 is a top perspective view of the container of FIG. 1, the container being rotated 180° horizontally;
FIG. 3 is a top view thereof;
FIG. 4 is a side view thereof; and,
FIG. 5 is an end view thereof.
The broken lines shown herein depict environmental subject matter only and form no part of the claimed design.

See application file for complete search history.

1 Claim, 5 Drawing Sheets



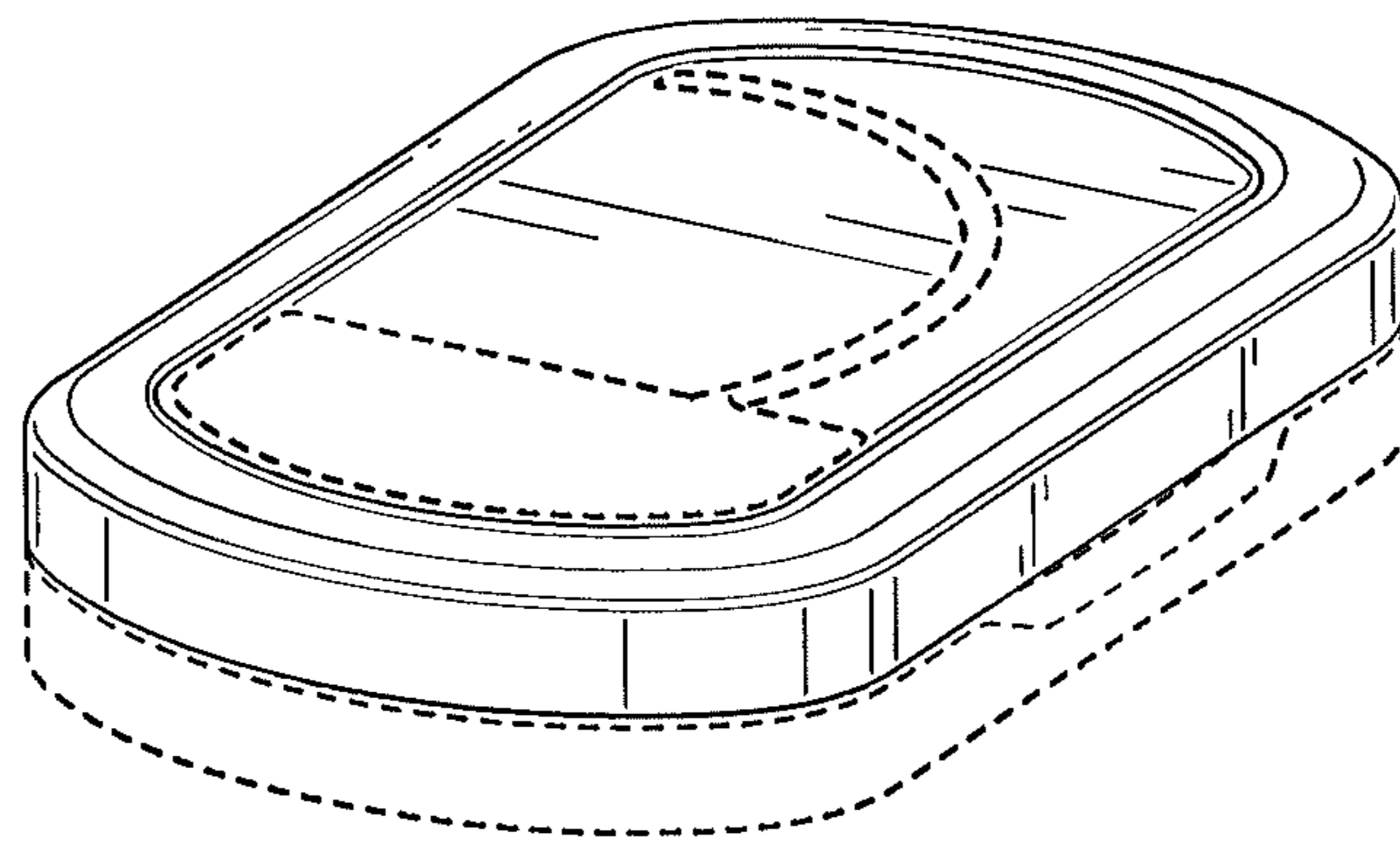


FIG. 1

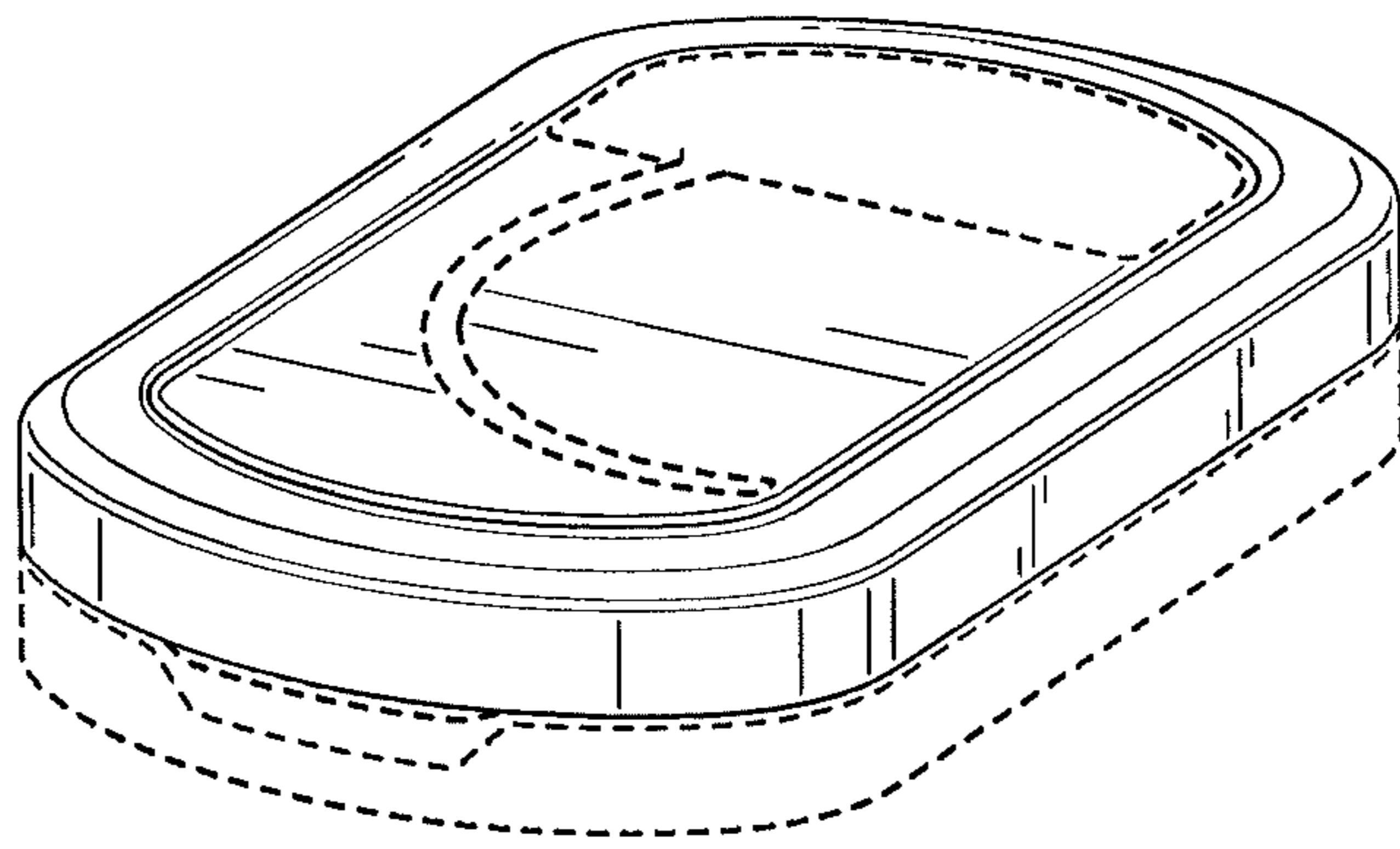


FIG. 2

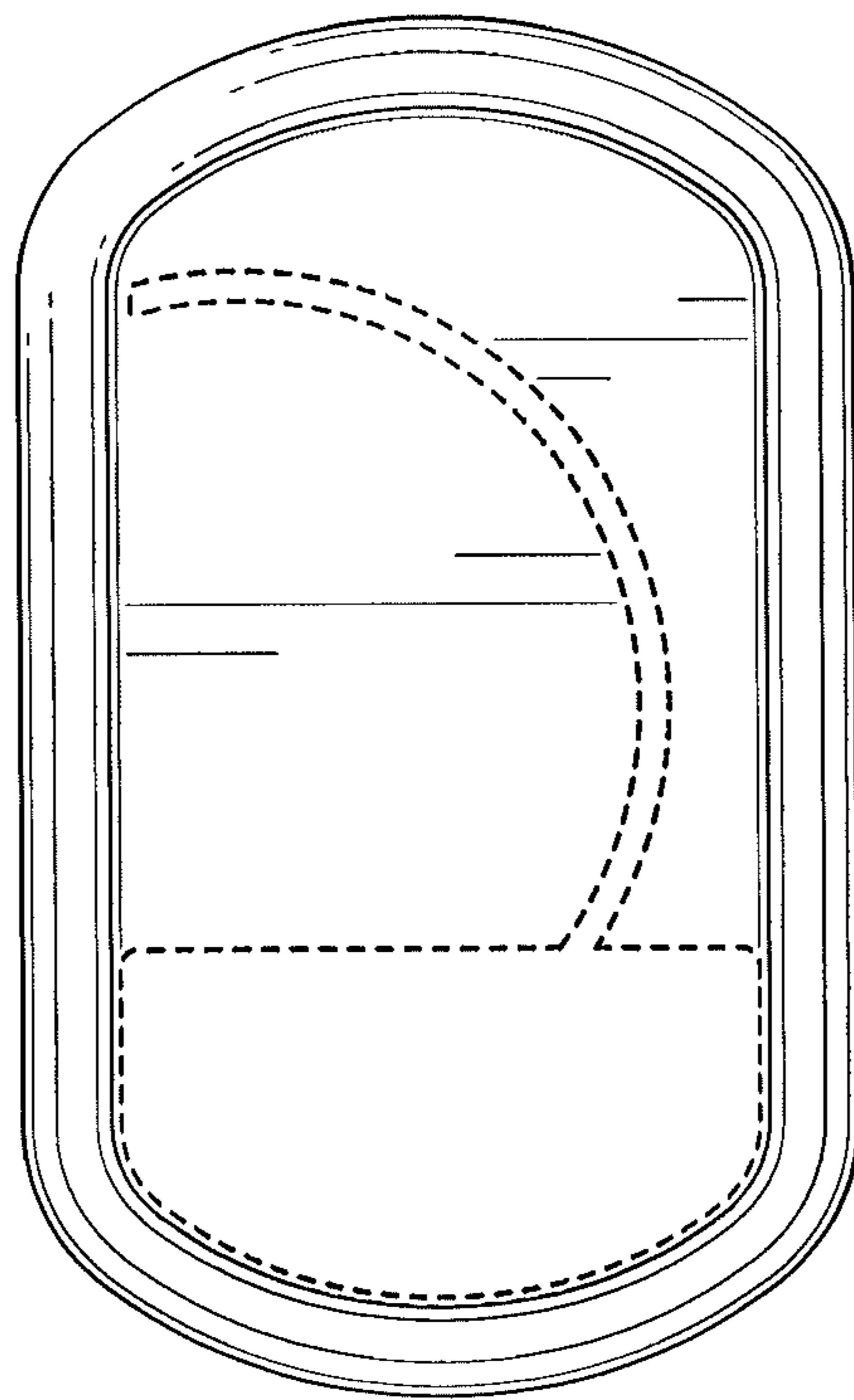


FIG. 3

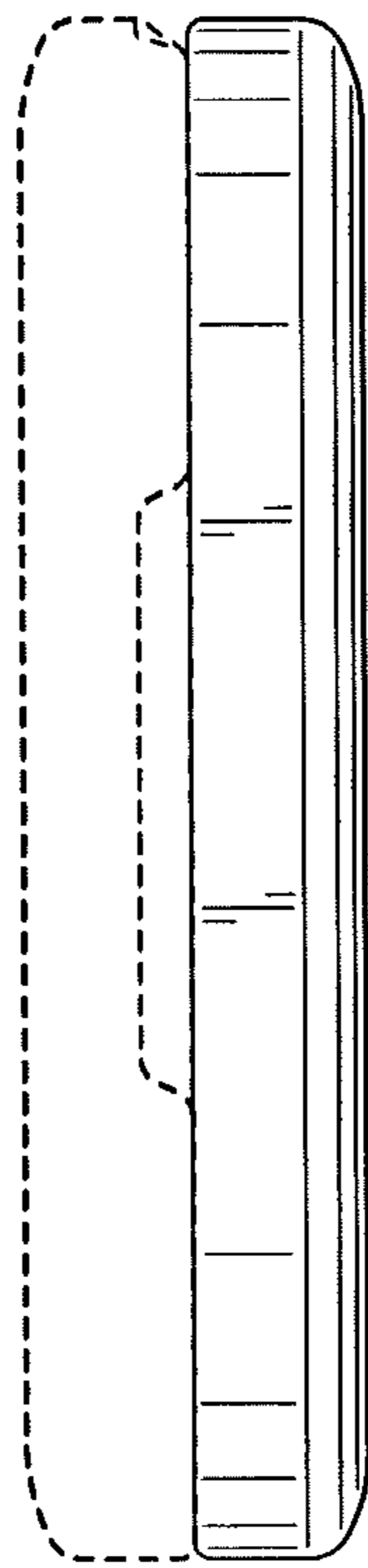


FIG. 4

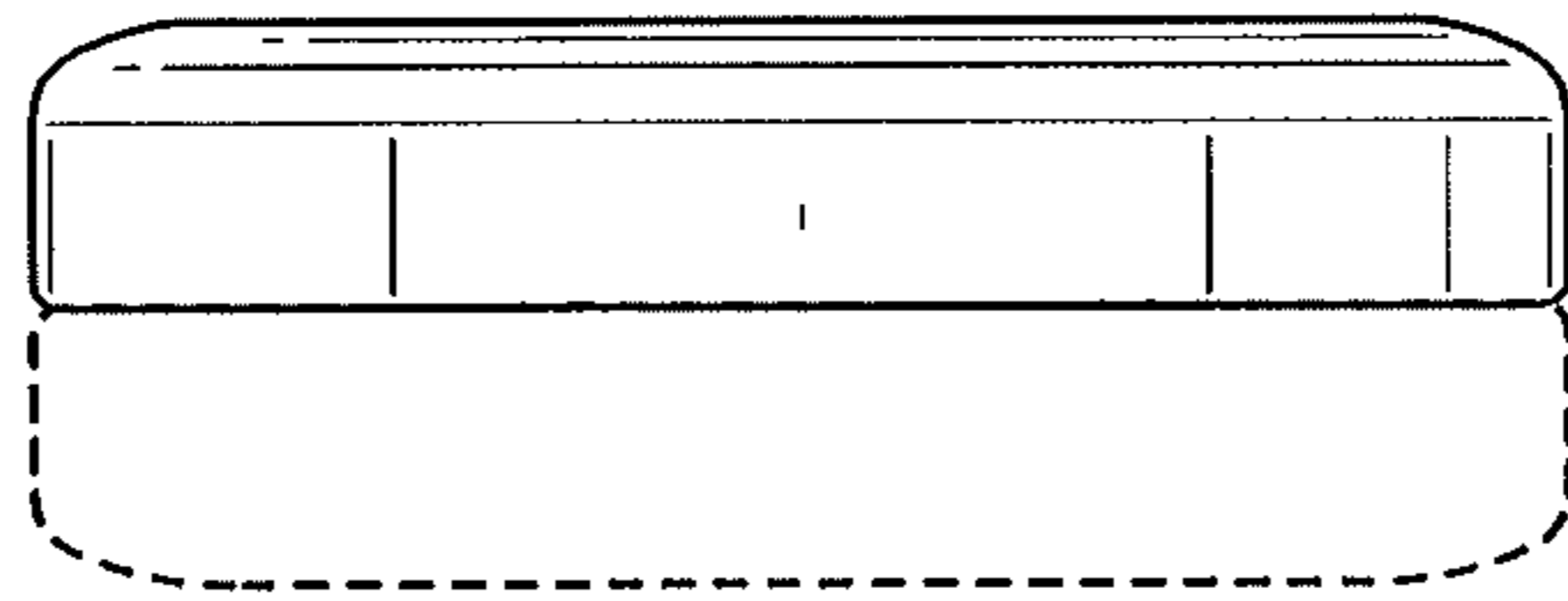


FIG. 5