



US00D727722S

(12) **United States Design Patent**
Beland et al.

(10) **Patent No.:** **US D727,722 S**

(45) **Date of Patent:** **** Apr. 28, 2015**

(54) **PACKAGING**

(71) Applicant: **Innventia AB**, Stockholm (SE)

(72) Inventors: **Marie-Claude Beland**, Stockholm (SE);
Hjalmar Granberg, Norrkoping (SE);
Hanna Billqvist, Stockholm (SE); **Anna Glansen**, Stockholm (SE)

(73) Assignee: **Innventia AB**, Stockholm (SE)

(**) Term: **14 Years**

(21) Appl. No.: **29/484,313**

(22) Filed: **Mar. 7, 2014**

(51) **LOC (10) Cl.** **09-03**

(52) **U.S. Cl.**
USPC **D9/430**

(58) **Field of Classification Search**

CPC B65D 5/00; B65D 5/0015; B65D 5/0045;
B65D 5/018; B65D 5/40; B65D 5/2033;
B65D 1/22; B65D 1/225; B65D 1/24; B65D
1/34; B65D 1/38
USPC D9/414-433, 444-445, 456, 519, 529,
D9/560, 715, 718, 748; D7/601, 602, 538,
D7/540, 550.1, 552.1, 554.3, 554.4;
D3/203.5, 202, 207, 210

See application file for complete search history.

(56) **References Cited**

U.S. PATENT DOCUMENTS

D256,219 S * 8/1980 Miyazaki D9/414
4,248,901 A * 2/1981 Austin 426/119
D264,313 S * 5/1982 Austin D9/416
D264,440 S * 5/1982 Austin D9/431
D270,042 S * 8/1983 Fisher D9/430
D272,130 S * 1/1984 Miyazaki D9/431
4,795,082 A * 1/1989 Fujihara et al. 229/109
4,930,680 A * 6/1990 Hanus 229/110
5,558,272 A * 9/1996 Magister 229/109

D387,984 S * 12/1997 Magister D9/430
D444,062 S * 6/2001 Harrison D9/430
D477,227 S * 7/2003 Goswell D9/651
D534,424 S * 1/2007 Ellman et al. D9/430
D589,345 S * 3/2009 Lang D9/431

* cited by examiner

Primary Examiner — Susan Bennett Hattan

Assistant Examiner — Vy Koenig

(74) *Attorney, Agent, or Firm* — Knobbe, Martens, Olson & Bear LLP

(57) **CLAIM**

The ornamental design for packaging, as shown and described.

DESCRIPTION

FIG. 1 is a front perspective view of a packaging showing our new design.

FIG. 2 is a top plan view thereof.

FIG. 3 is a bottom plan view thereof.

FIG. 4 is a side elevational view thereof. An opposite side elevational view is identical thereto.

FIG. 5 is a top perspective view thereof in a partially opened state.

FIG. 6 is a top plan view thereof in the partially opened state.

FIG. 7 is a bottom plan view thereof in the partially opened state.

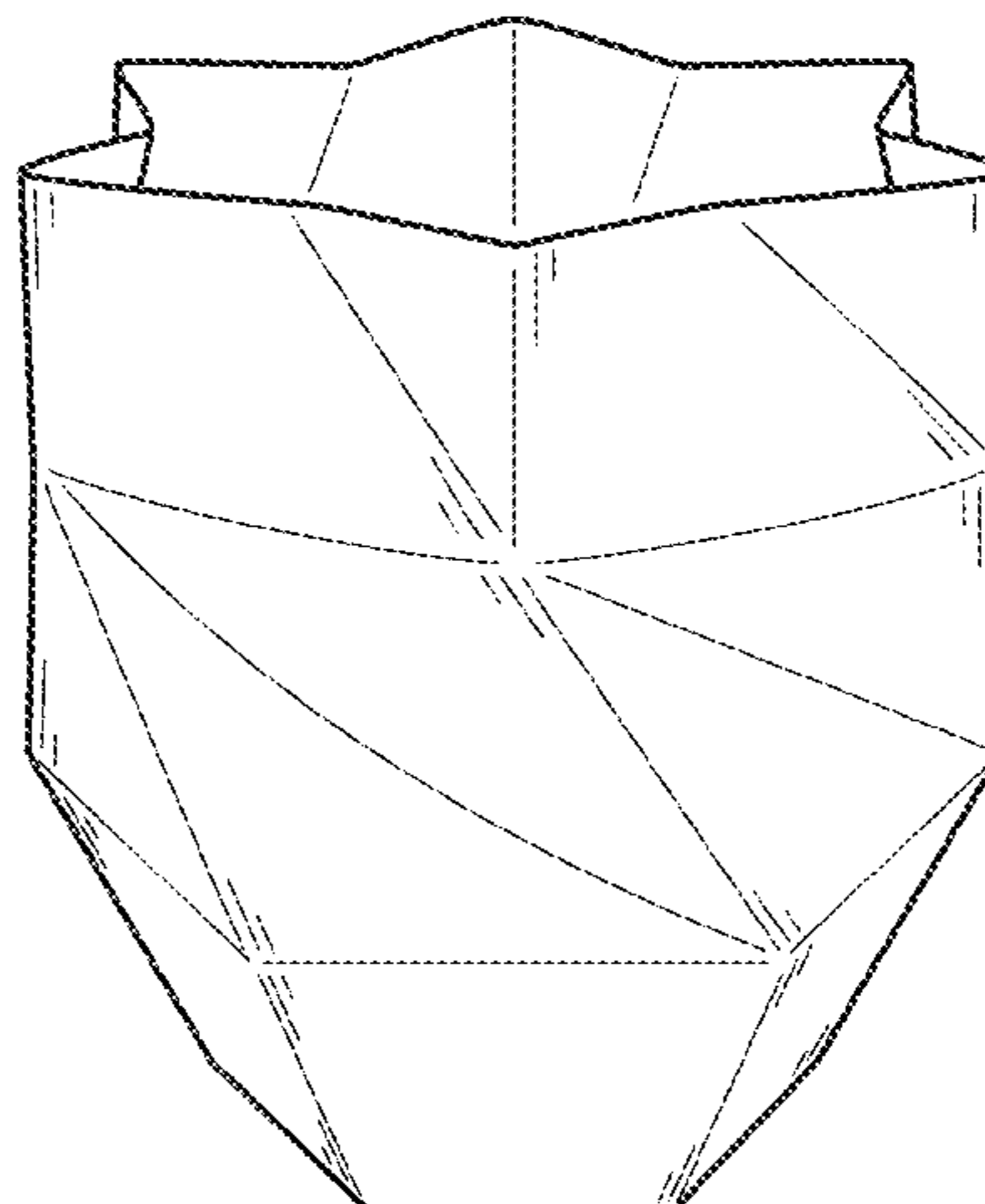
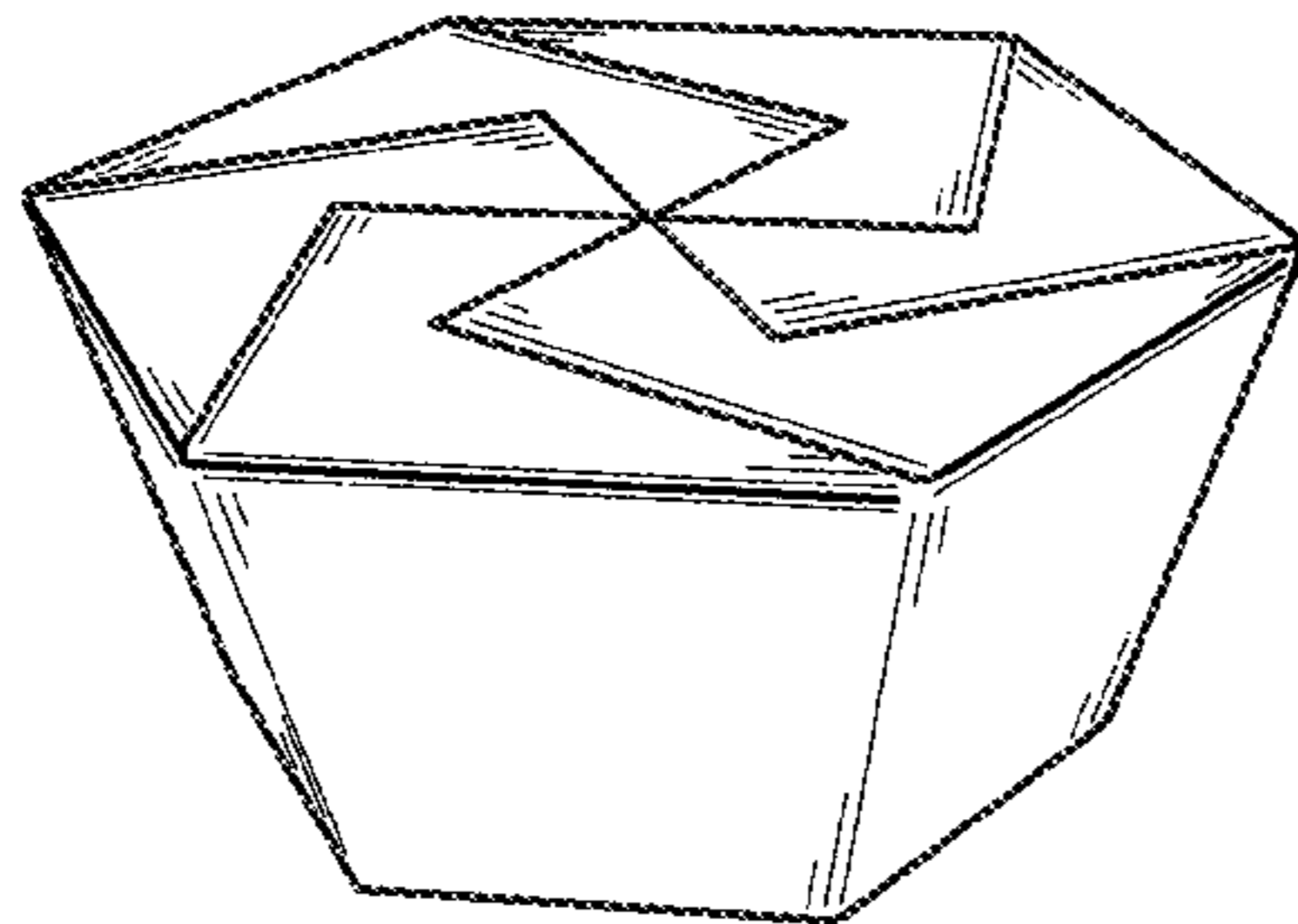
FIG. 8 is a side elevational view thereof in the partially opened state. An opposite side elevational view thereof in the partially opened state is identical.

FIG. 9 is a side elevational view thereof in a slightly opened state. An opposite side elevational view thereof in the slightly opened state is identical.

FIG. 10 is a top perspective view thereof in a fully opened state; and,

FIG. 11 is a top plan view thereof in an unfolded state as a plane sheet.

1 Claim, 11 Drawing Sheets



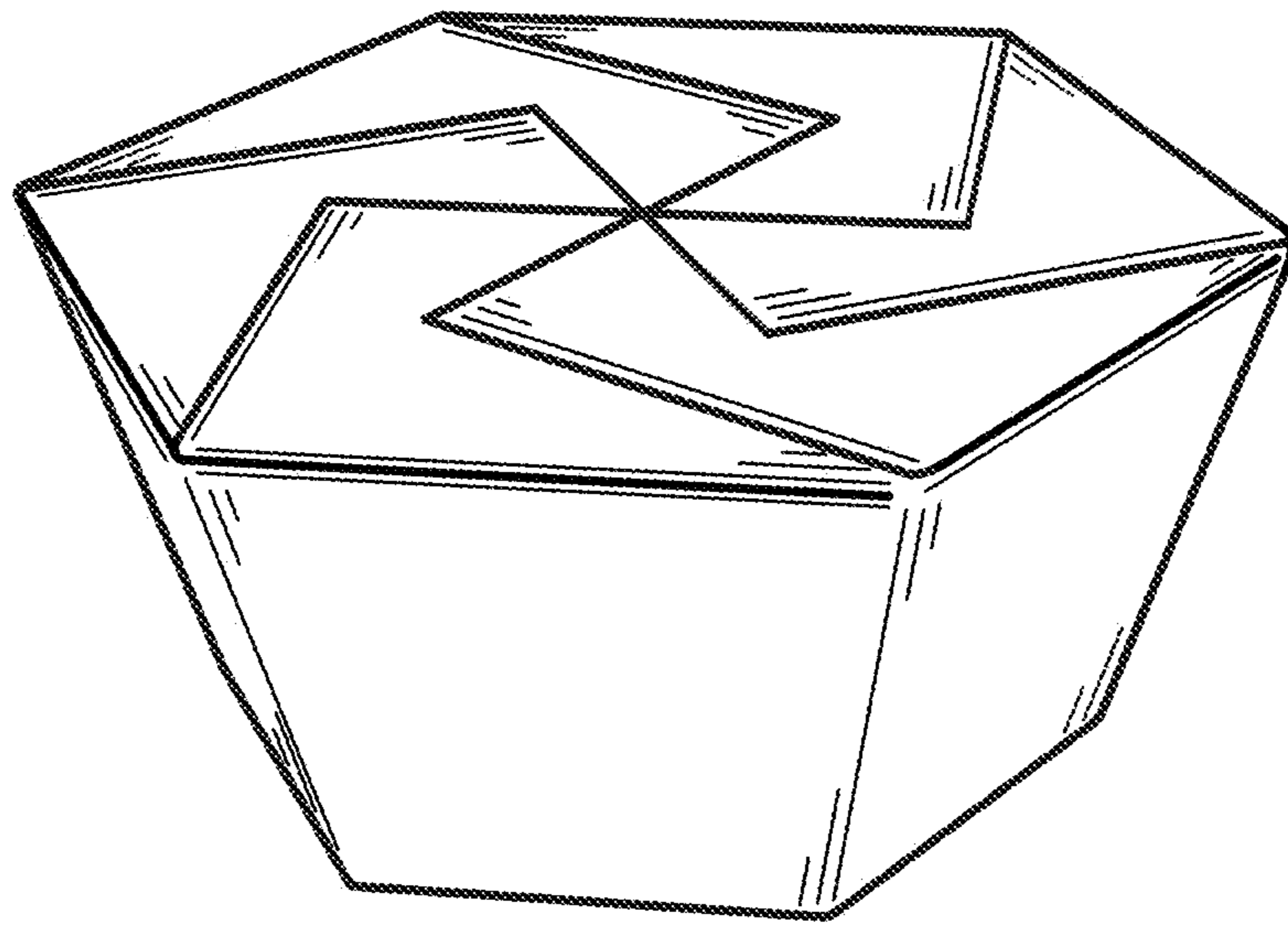


FIG. 1

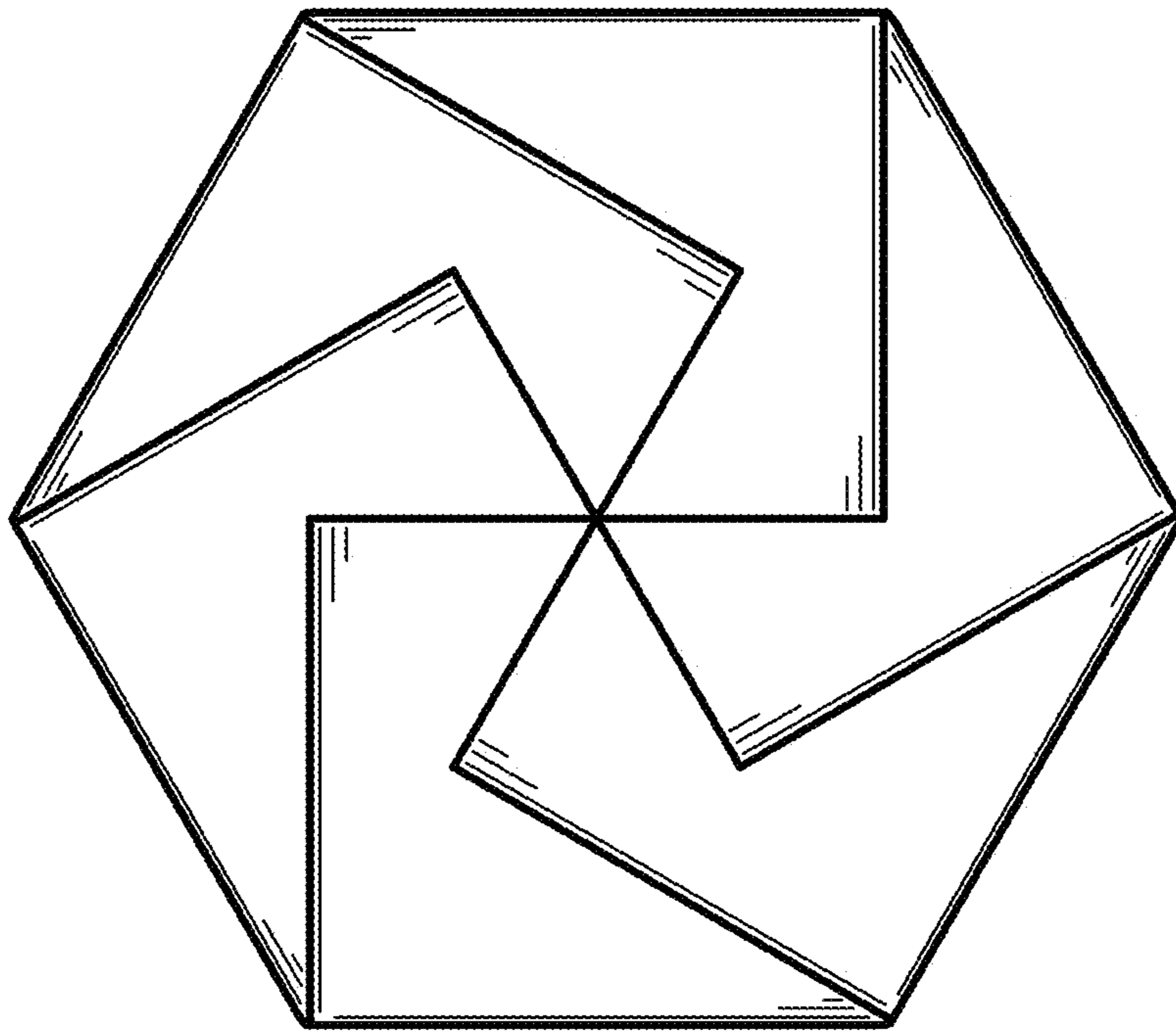


FIG. 2

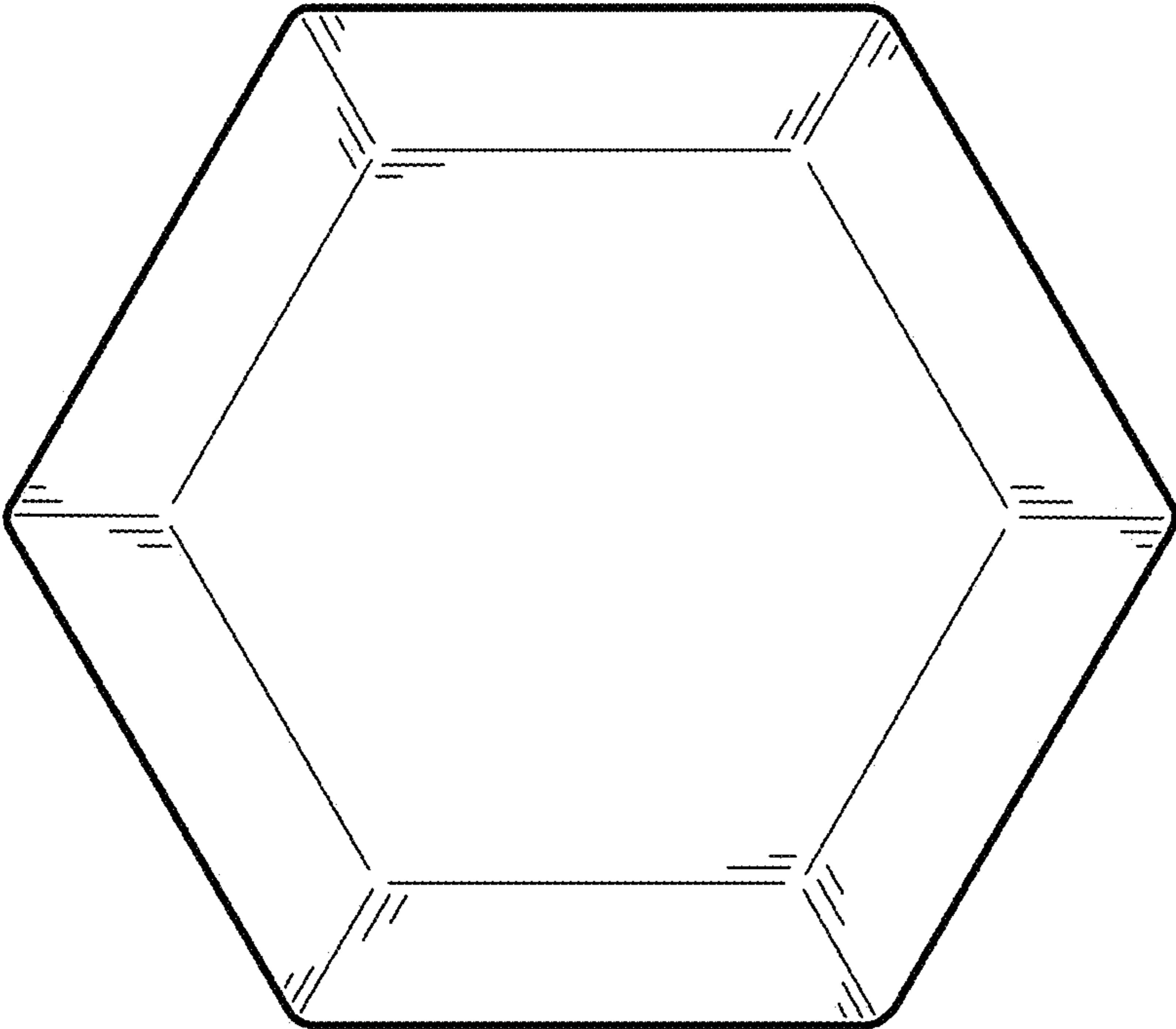


FIG. 3

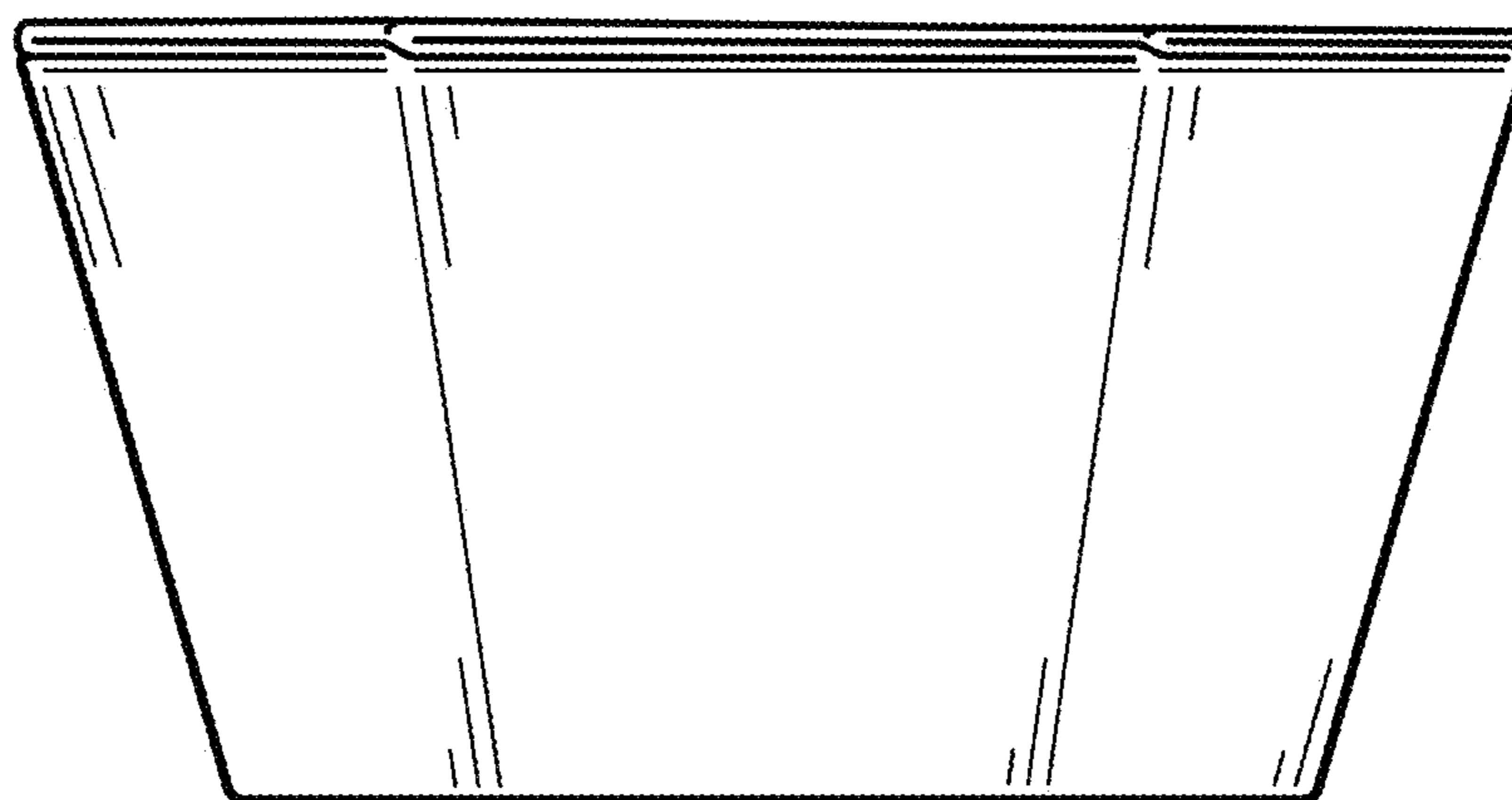


FIG. 4

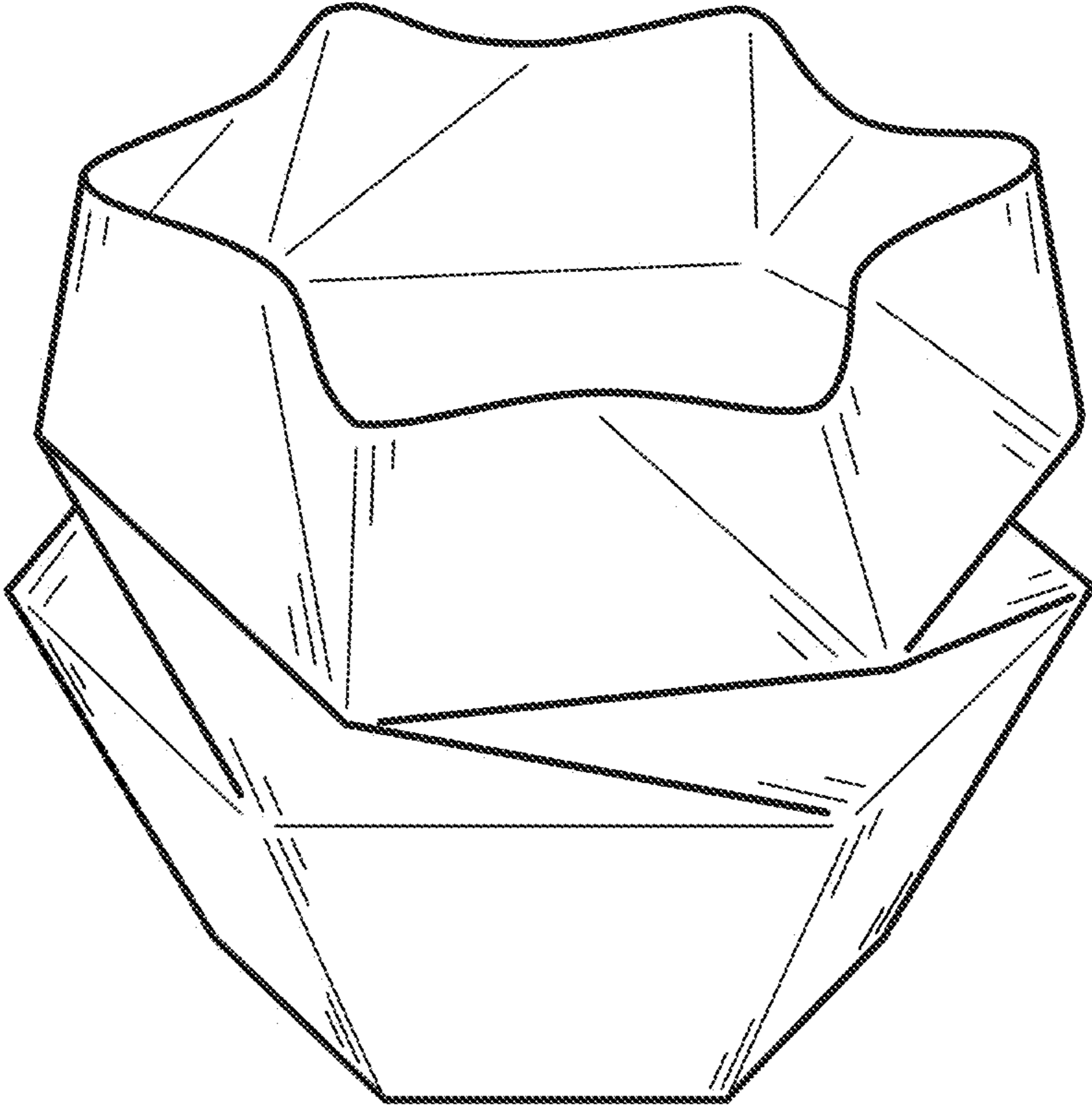


FIG. 5

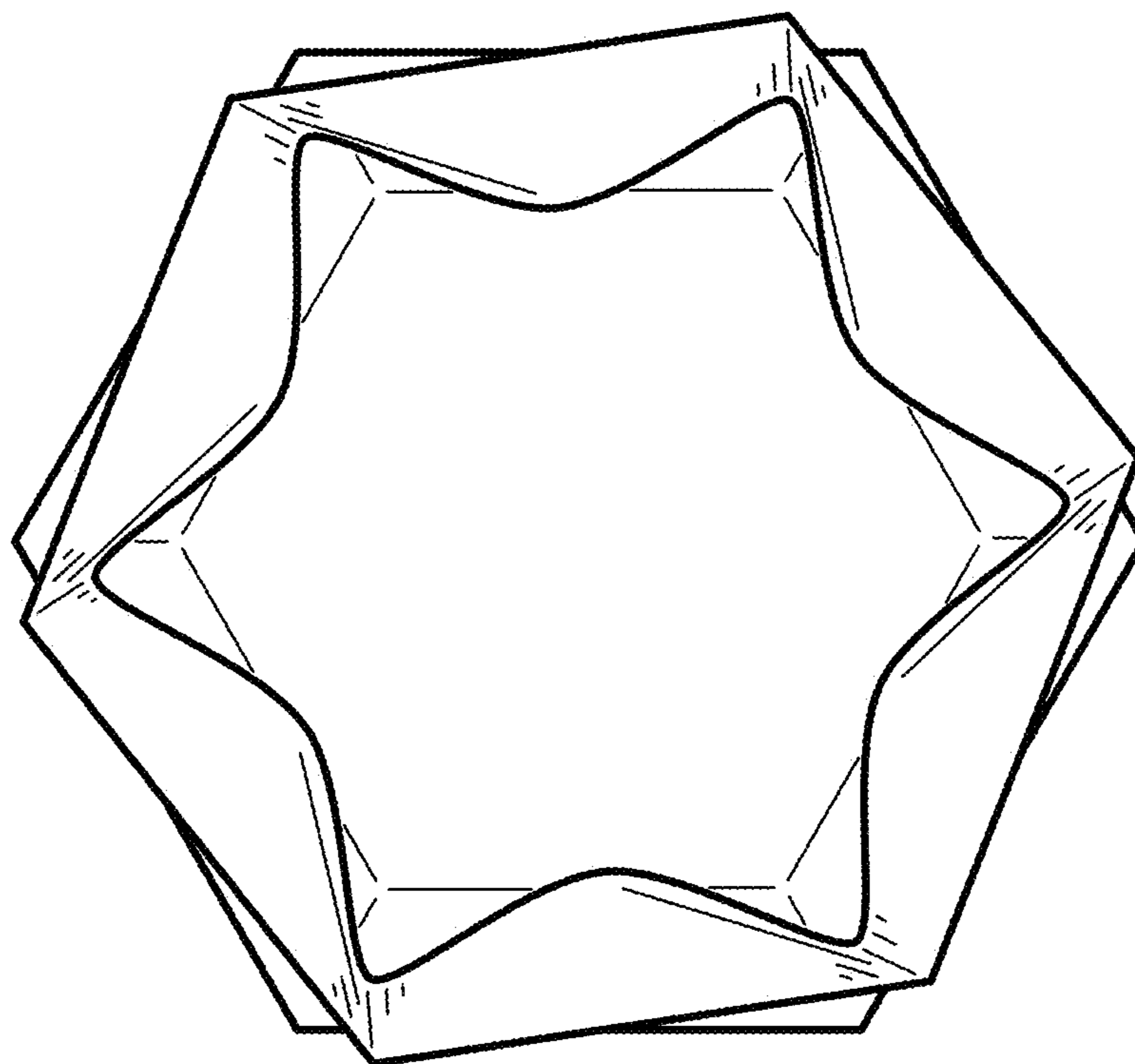


FIG. 6

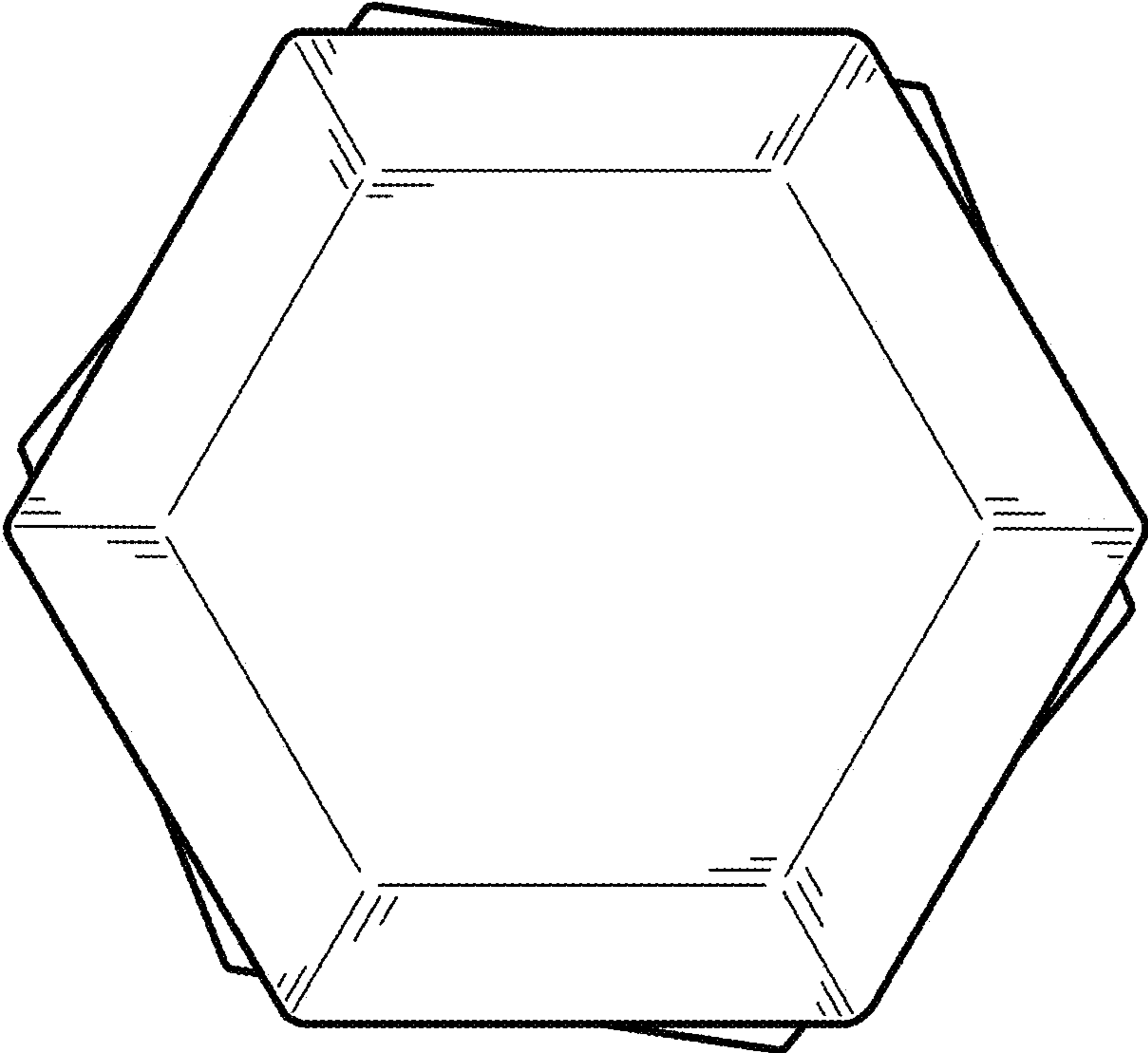


FIG. 7

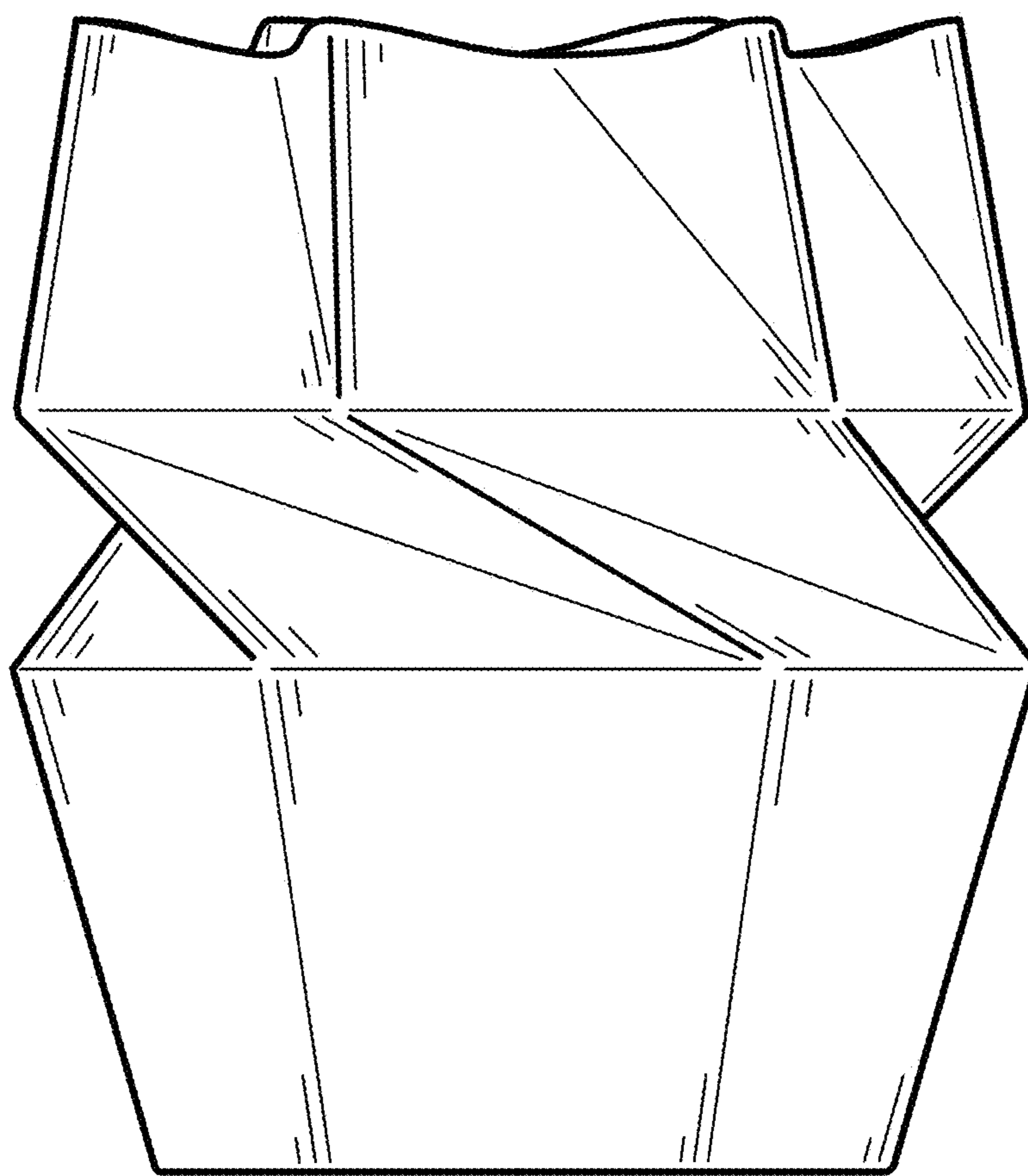


FIG. 8

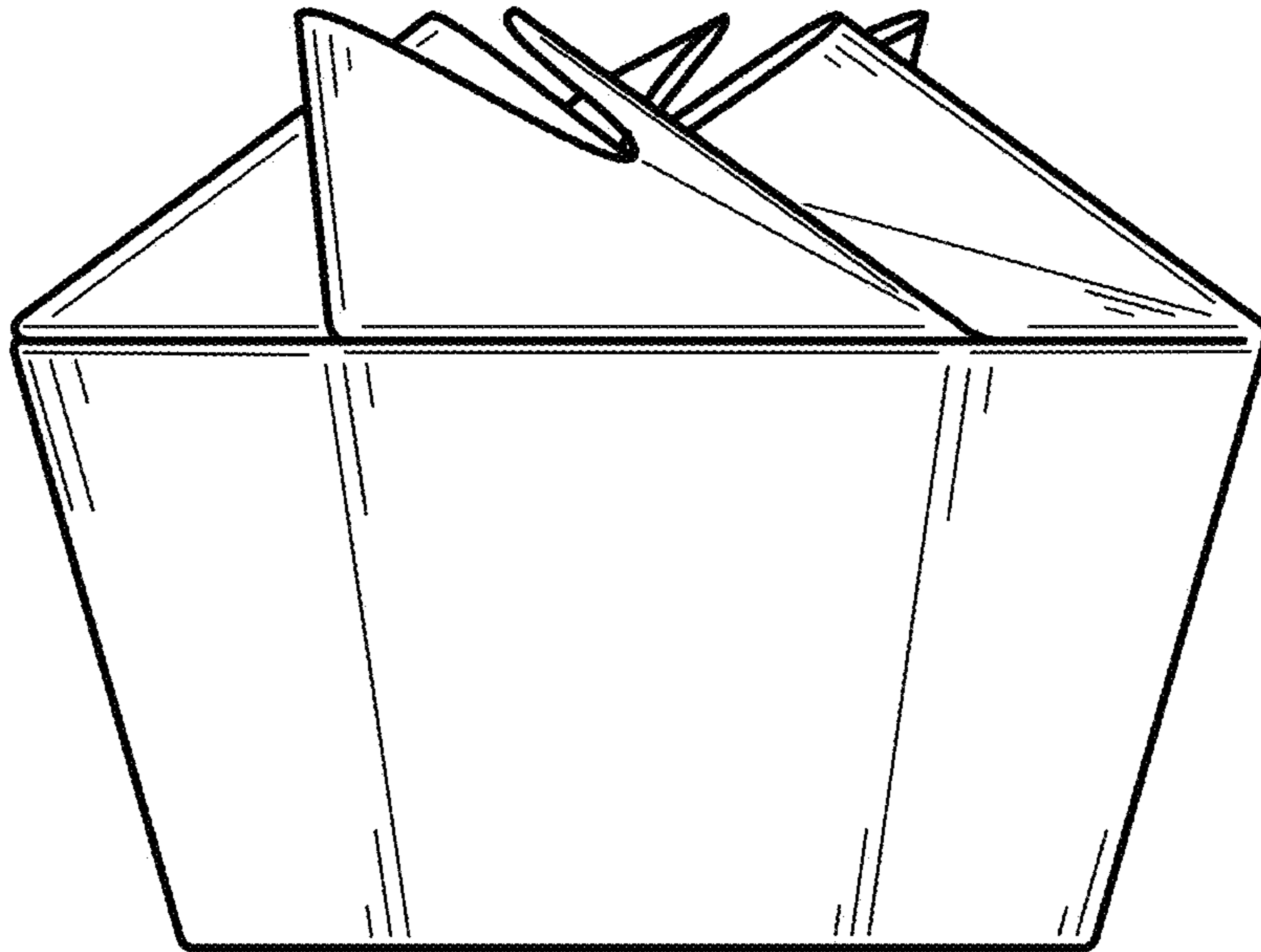


FIG. 9

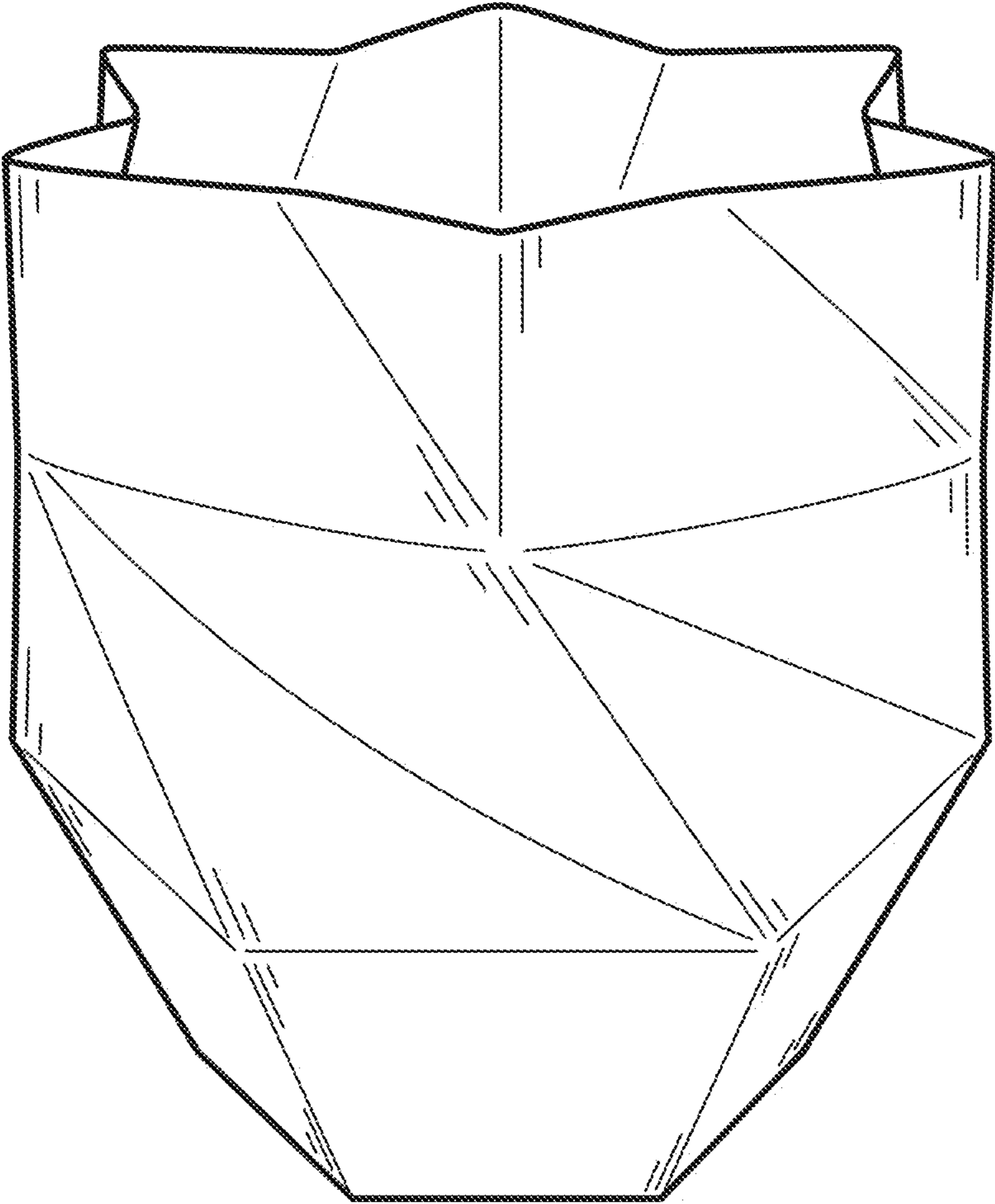


FIG. 10

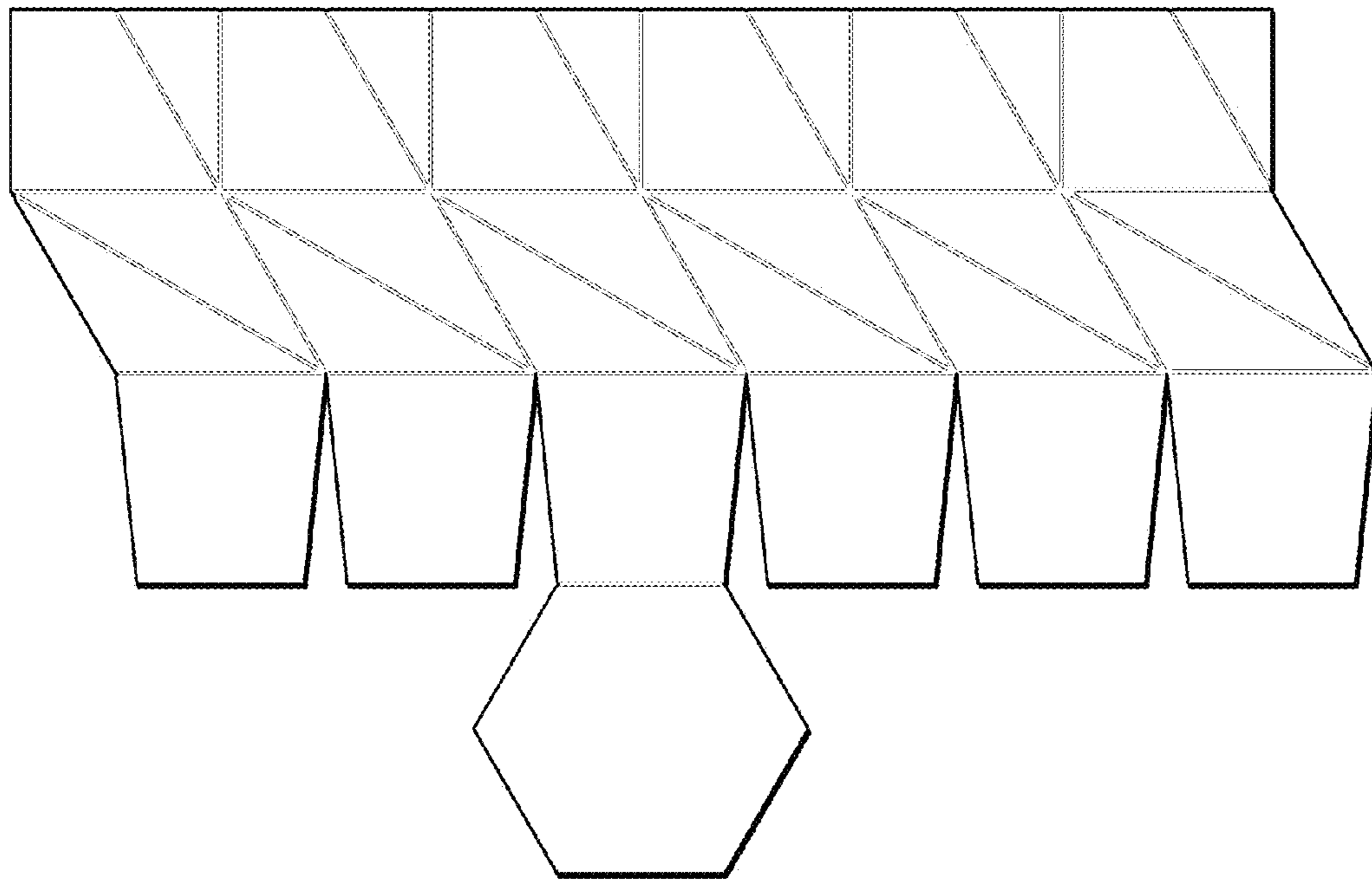


FIG. 11