



US00D727720S

(12) **United States Design Patent**  
**Schermer**

(10) **Patent No.:** **US D727,720 S**  
(45) **Date of Patent:** **\*\* Apr. 28, 2015**

(54) **WHEEL LOCK**

(71) Applicant: **Peter J. Schermer**, Los Angeles, CA  
(US)

(72) Inventor: **Peter J. Schermer**, Los Angeles, CA  
(US)

(73) Assignee: **Amcort Industries, Inc.**, Los Angeles,  
CA (US)

(\*\*) Term: **14 Years**

(21) Appl. No.: **29/471,588**

(22) Filed: **Nov. 1, 2013**

(51) **LOC (10) Cl.** ..... **08-08**

(52) **U.S. Cl.**  
USPC ..... **D8/397**

(58) **Field of Classification Search**  
USPC ..... D8/397, 394, 382, 349, 399, 387, 392;  
411/427, 429, 432, 918, 179, 180, 190,  
411/327, 531; D23/303; 605/232; 248/154  
See application file for complete search history.

(56) **References Cited**

**U.S. PATENT DOCUMENTS**

D203,947 S *	3/1966	Pick	.....	D8/387
D262,863 S *	2/1982	Barnsdale	.....	D8/385
D308,982 S *	7/1990	Moore	.....	D16/132
D482,761 S *	11/2003	Gotoh et al.	.....	D23/262
D511,499 S *	11/2005	Chung	.....	D13/154
D557,132 S *	12/2007	Shinjo	.....	D8/397
D558,037 S *	12/2007	Chelchowski et al.	.....	D8/382

7,550,669 B2 *	6/2009	Rizzuto, Jr.	.....	174/68.1
D600,546 S *	9/2009	Scilingo et al.	.....	D8/397
D608,294 S *	1/2010	Shaw	.....	D13/151
D623,049 S *	9/2010	Zeyfang	.....	D8/397
D625,170 S *	10/2010	McGrath	.....	D8/355
D637,907 S *	5/2011	Maxa et al.	.....	D9/452
7,952,034 B2 *	5/2011	Kiely et al.	.....	174/650
D649,031 S *	11/2011	Rand	.....	D8/397
D698,637 S *	2/2014	Su	.....	D8/397
D706,126 S *	6/2014	Orow	.....	D8/397
D718,121 S *	11/2014	Yu	.....	D8/382

\* cited by examiner

*Primary Examiner* — Cynthia Underwood

(74) *Attorney, Agent, or Firm* — Sheppard Mullin Richter & Hampton LLP

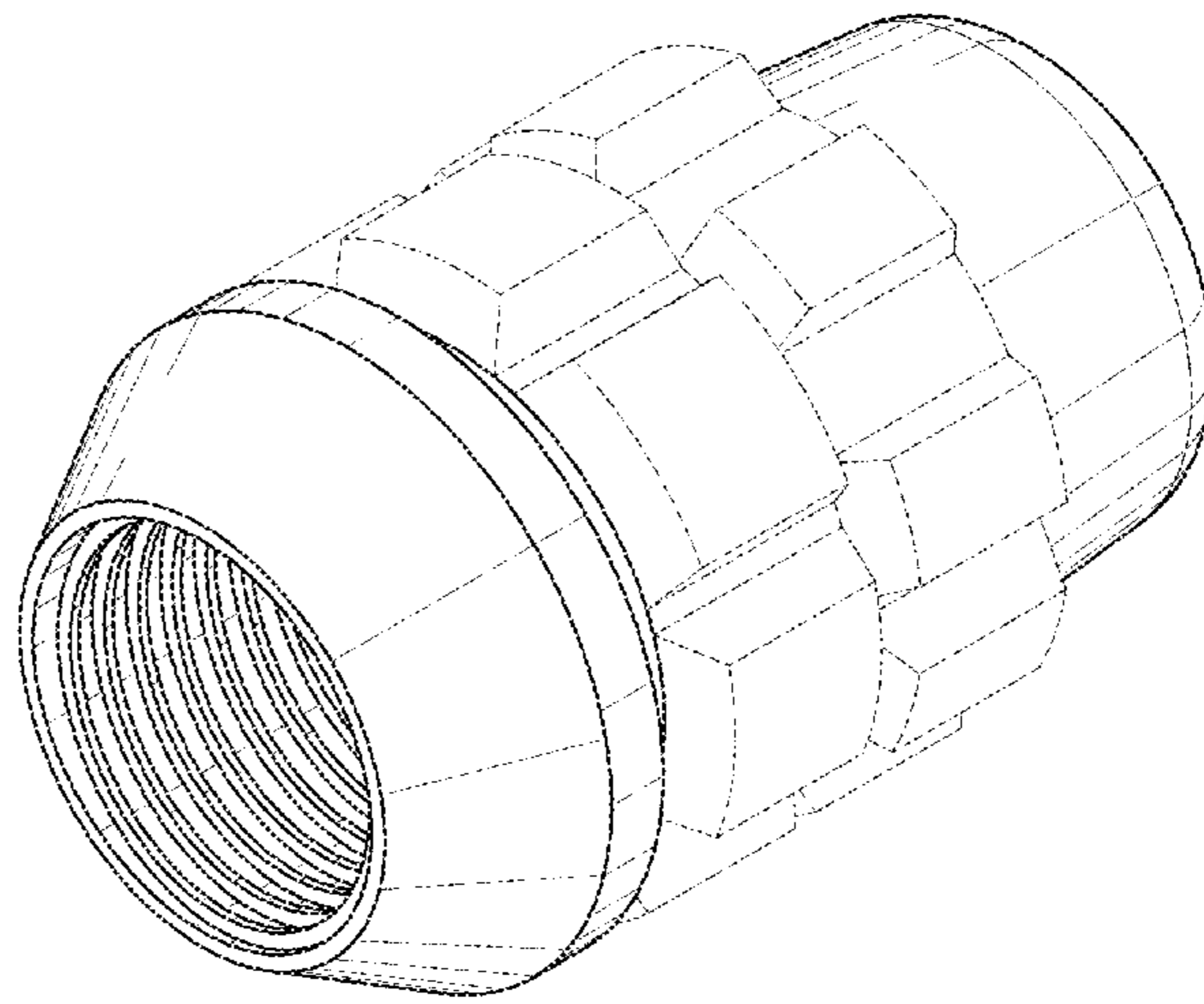
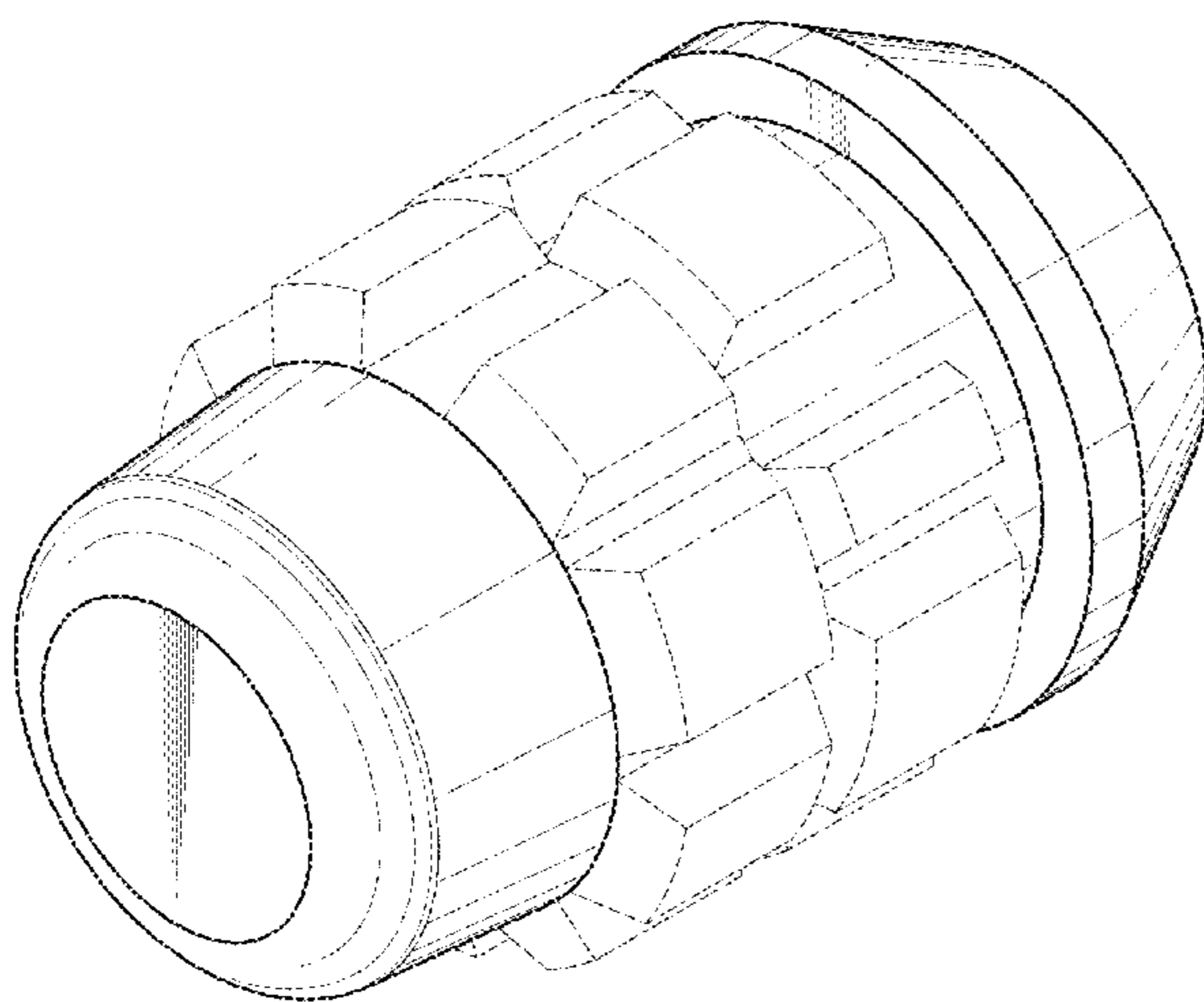
(57) **CLAIM**

The ornamental design for a wheel lock, as shown and described.

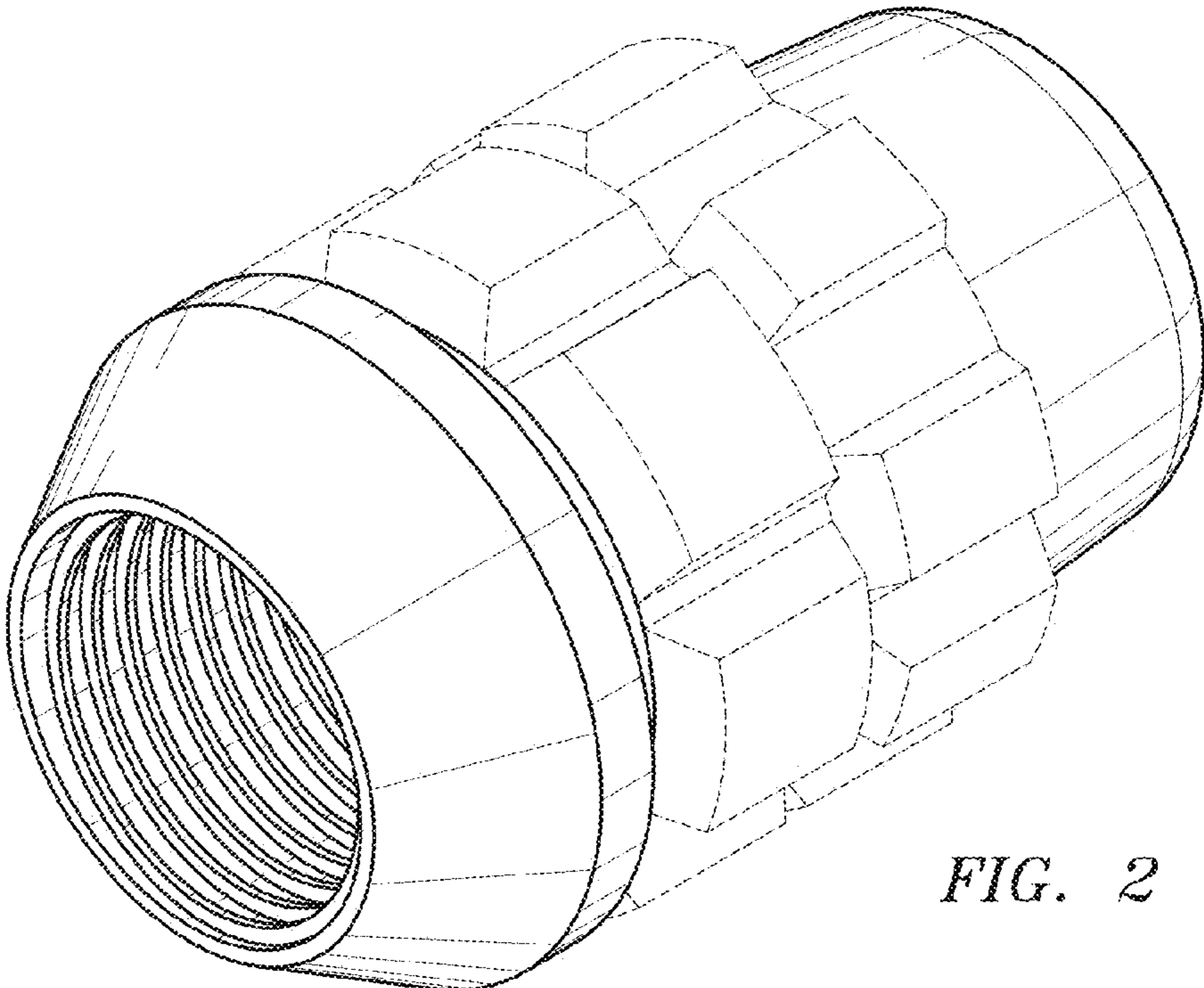
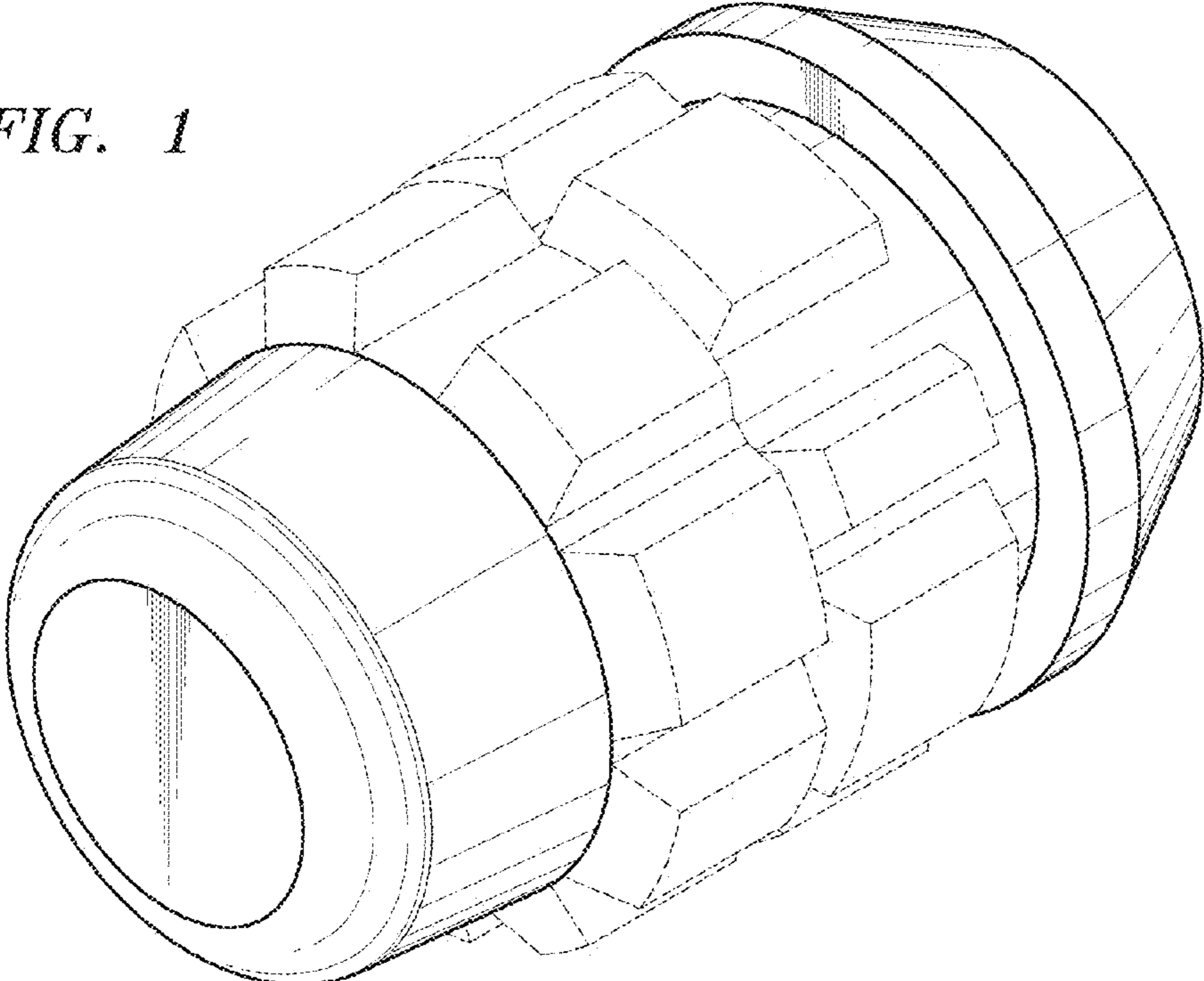
**DESCRIPTION**

FIG. 1 is a front perspective view of a wheel lock showing my new design;  
FIG. 2 is a rear perspective view thereof;  
FIG. 3 is a top view thereof;  
FIG. 4 is a bottom view thereof;  
FIG. 5 is a front elevational view thereof;  
FIG. 6 is a rear elevational view thereof;  
FIG. 7 is a left view thereof; and,  
FIG. 8 is a right view thereof.  
The broken lines in the accompanying drawings represent portions of the design which form no part of the claimed design.

**1 Claim, 4 Drawing Sheets**



*FIG. 1*



*FIG. 2*

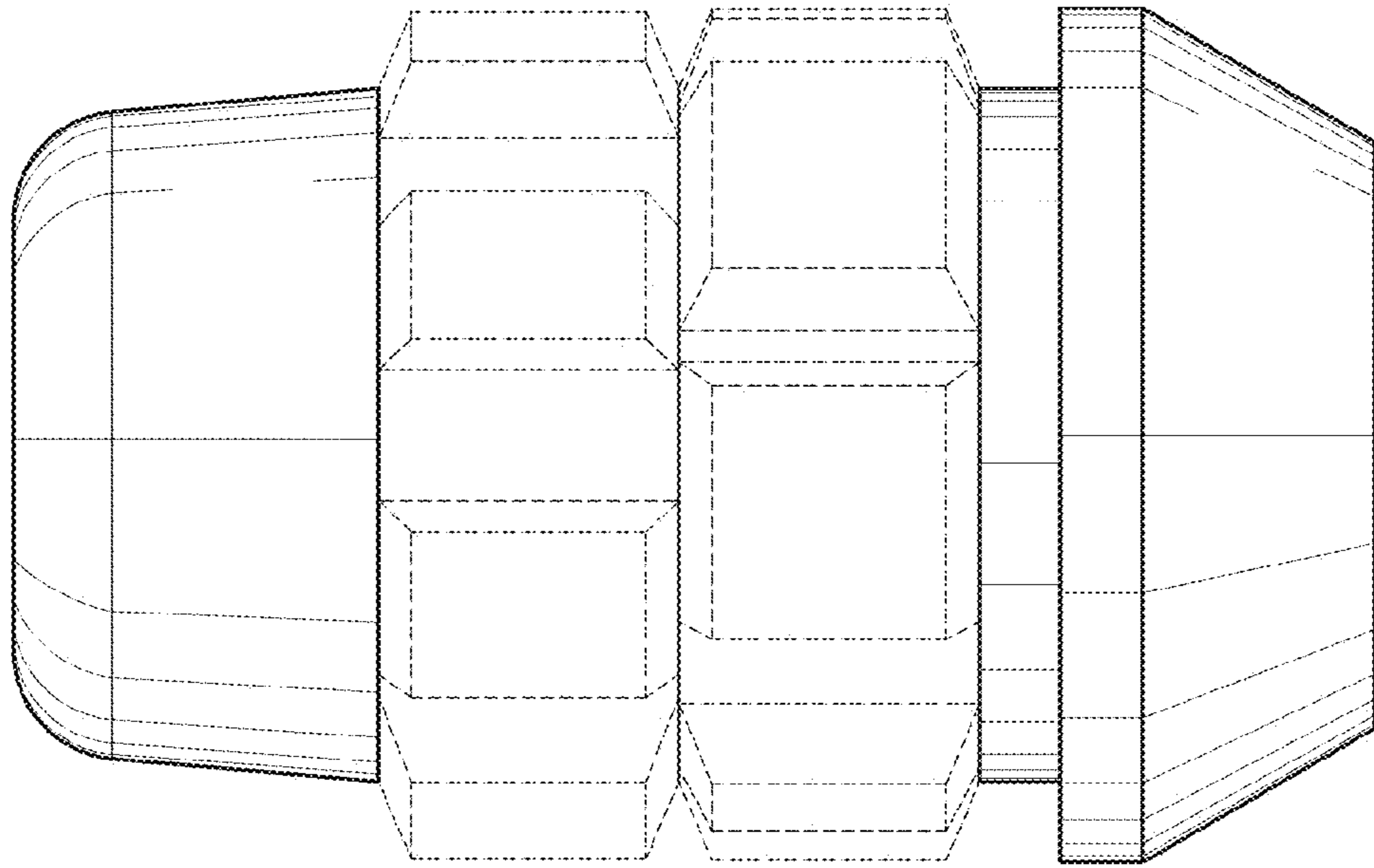


FIG. 3

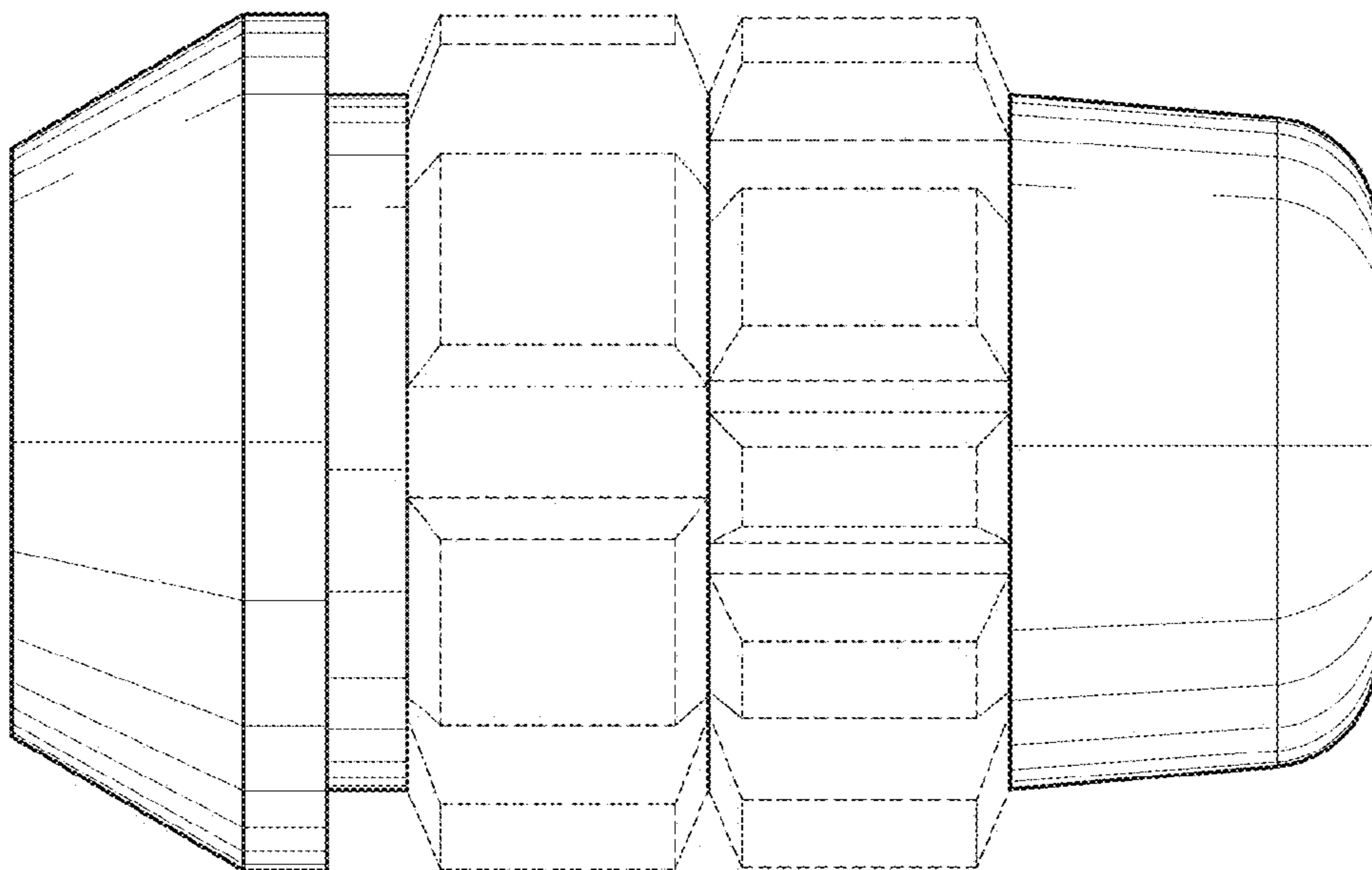
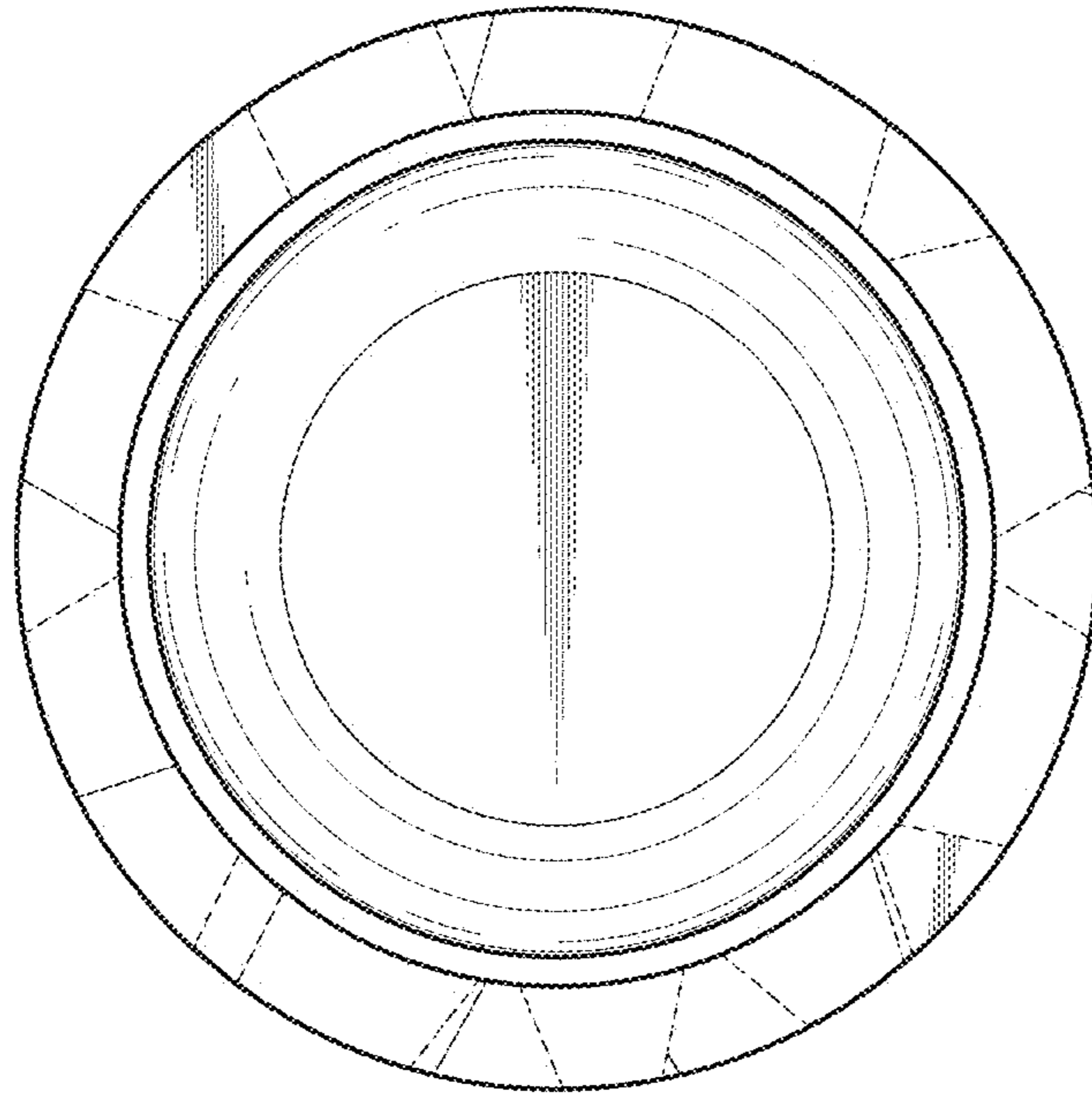
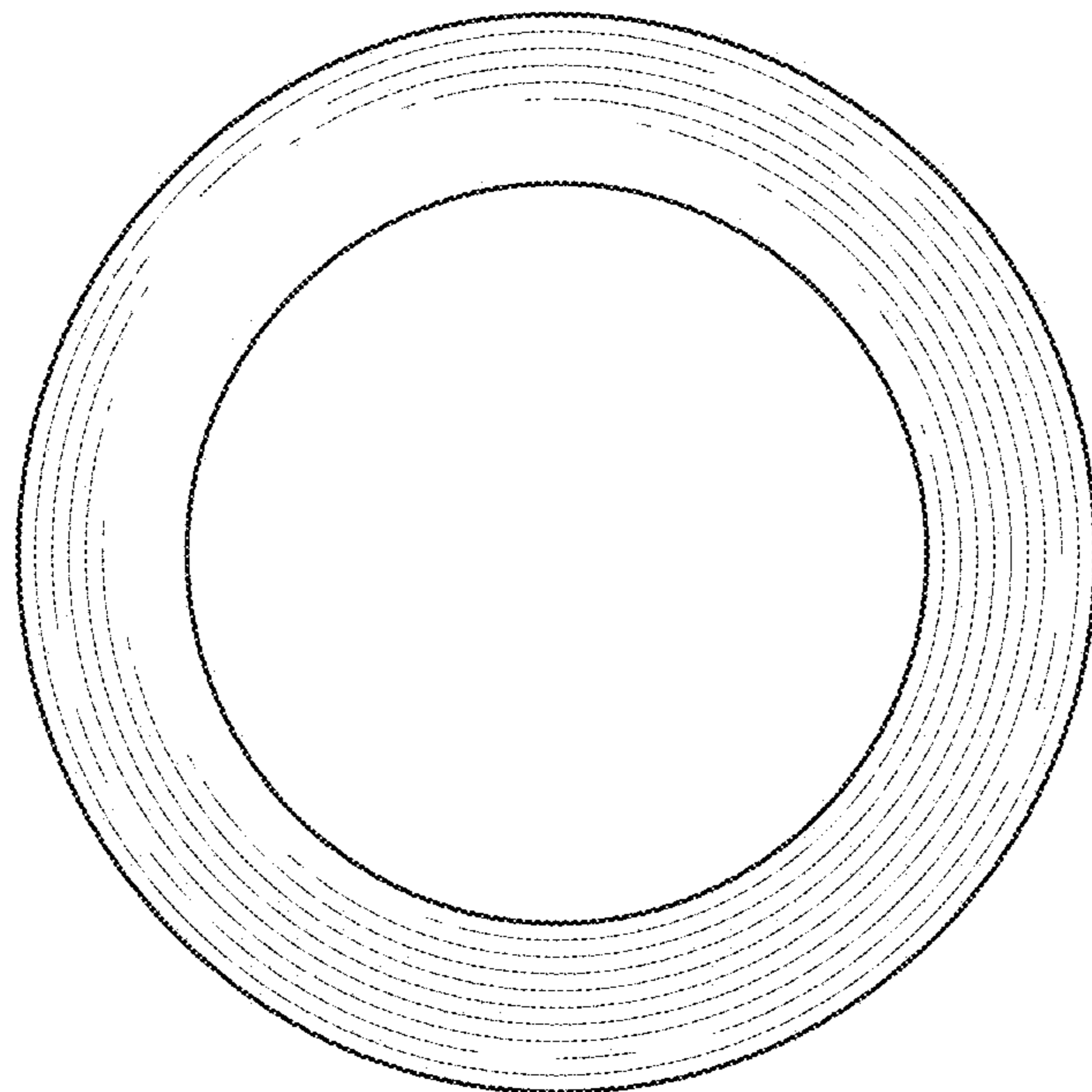


FIG. 4



*FIG. 5*



*FIG. 6*

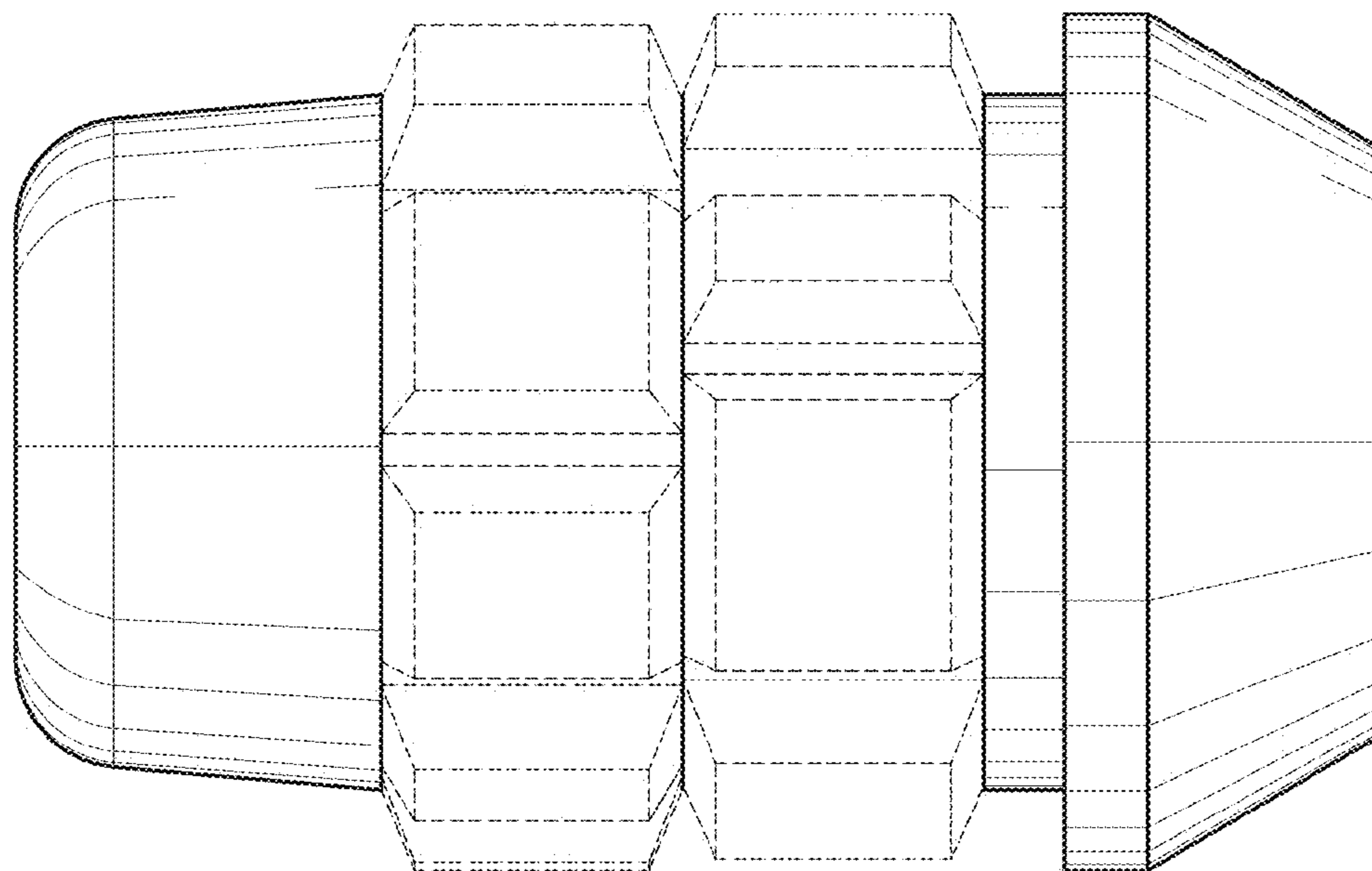


FIG. 7

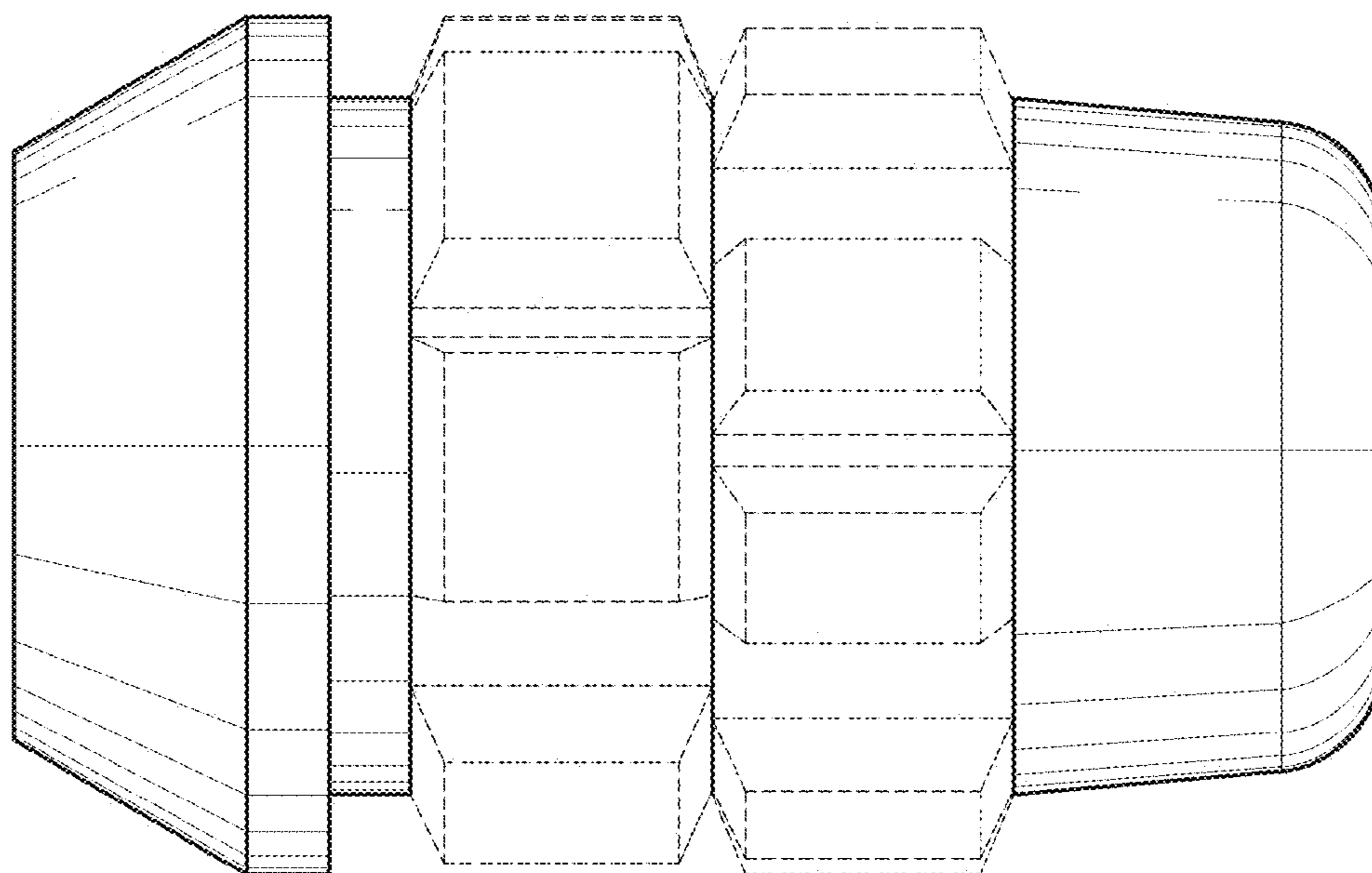


FIG. 8