



US00D727719S

(12) **United States Design Patent**
Ribeiro

(10) **Patent No.:** **US D727,719 S**

(45) **Date of Patent:** **** Apr. 28, 2015**

(54) **CONNECTOR FOR REPTILE CAGE**

(71) Applicant: **Jeffrey Bento Ribeiro**, Toronto (CA)

(72) Inventor: **Jeffrey Bento Ribeiro**, Toronto (CA)

(73) Assignee: **Jeffrey Bento Riberio**, Toronto, Ontario (CA)

(**) Term: **14 Years**

(21) Appl. No.: **29/490,272**

(22) Filed: **May 8, 2014**

(51) **LOC (10) Cl.** **08-08**

(52) **U.S. Cl.**
USPC **D8/382**

(58) **Field of Classification Search**
USPC D8/382, 394-395, 349, 354; D25/121,
D25/119, 61; 405/274, 277, 278-279;
24/370, 346, 573.09; 248/200, 300
See application file for complete search history.

(56) **References Cited**

U.S. PATENT DOCUMENTS

4,760,624 A * 8/1988 Fish 24/30.5 S
5,174,536 A * 12/1992 Pelletier et al. 248/339
D360,571 S * 7/1995 Perry D8/354
D378,986 S * 4/1997 Darula D8/354
D415,407 S * 10/1999 Ducker D8/354

D538,630 S * 3/2007 Sergi D8/354
D619,444 S * 7/2010 Oyegoke D8/349
D670,996 S * 11/2012 Rogers D8/363
D712,727 S * 9/2014 Geiger D8/382

* cited by examiner

Primary Examiner — Sheryl Lane

(74) *Attorney, Agent, or Firm* — Rowand LLP

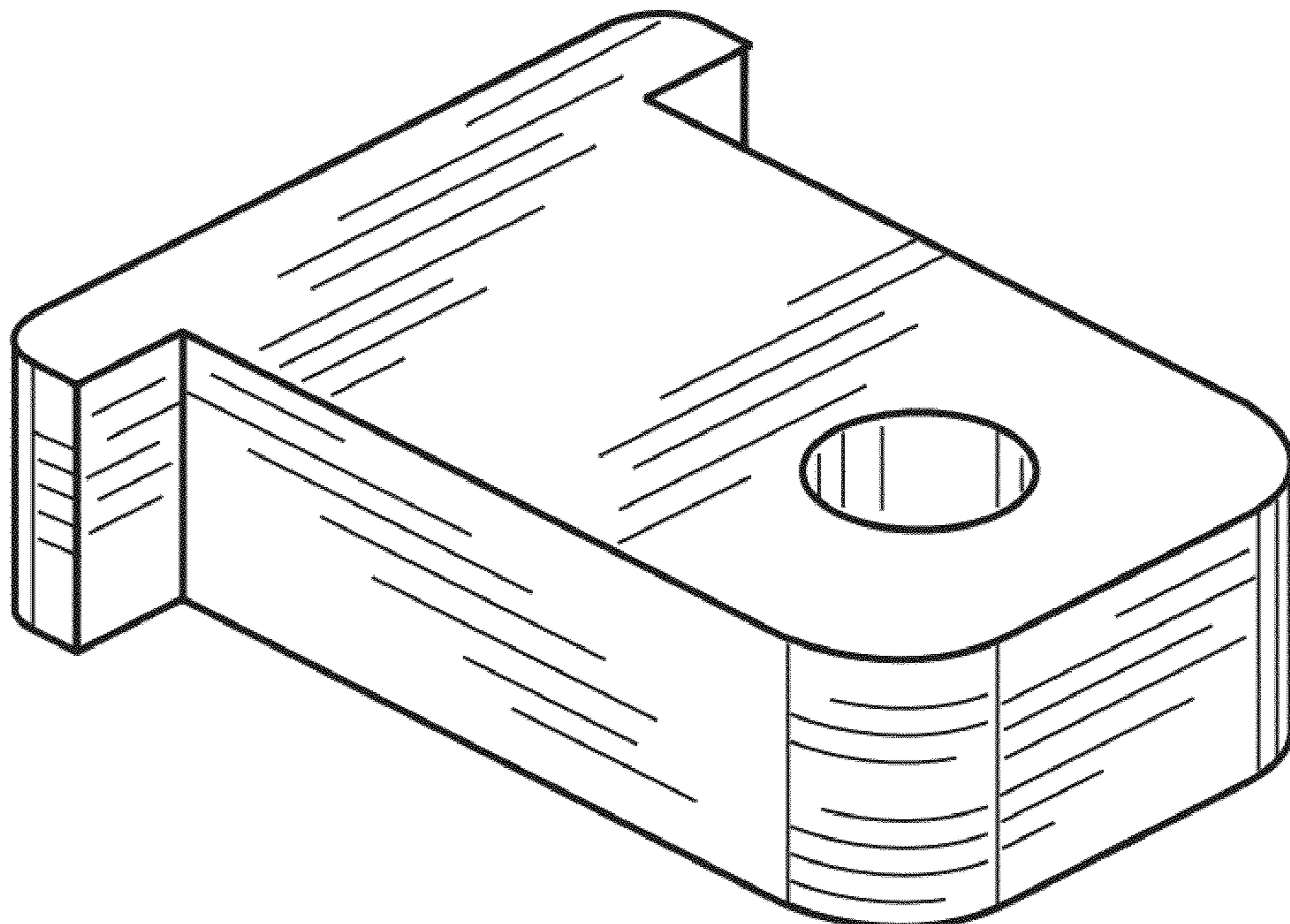
(57) **CLAIM**

The ornamental design for a connector for reptile cage, as shown and described.

DESCRIPTION

FIG. 1 is an isometric top view of a connector for reptile cage;
FIG. 2 is an isometric bottom view of the connector for reptile cage of FIG. 1;
FIG. 3 is a side view of the connector for reptile cage of FIG. 1;
FIG. 4 is a front view of the connector for reptile cage of FIG. 1;
FIG. 5 is another side view of the connector for reptile cage of FIG. 1;
FIG. 6 is a rear view of the connector for reptile cage of FIG. 1;
FIG. 7 is a top view of the connector for reptile cage of FIG. 1; and,
FIG. 8 is a bottom view of the connector for reptile cage of FIG. 1.

1 Claim, 1 Drawing Sheet



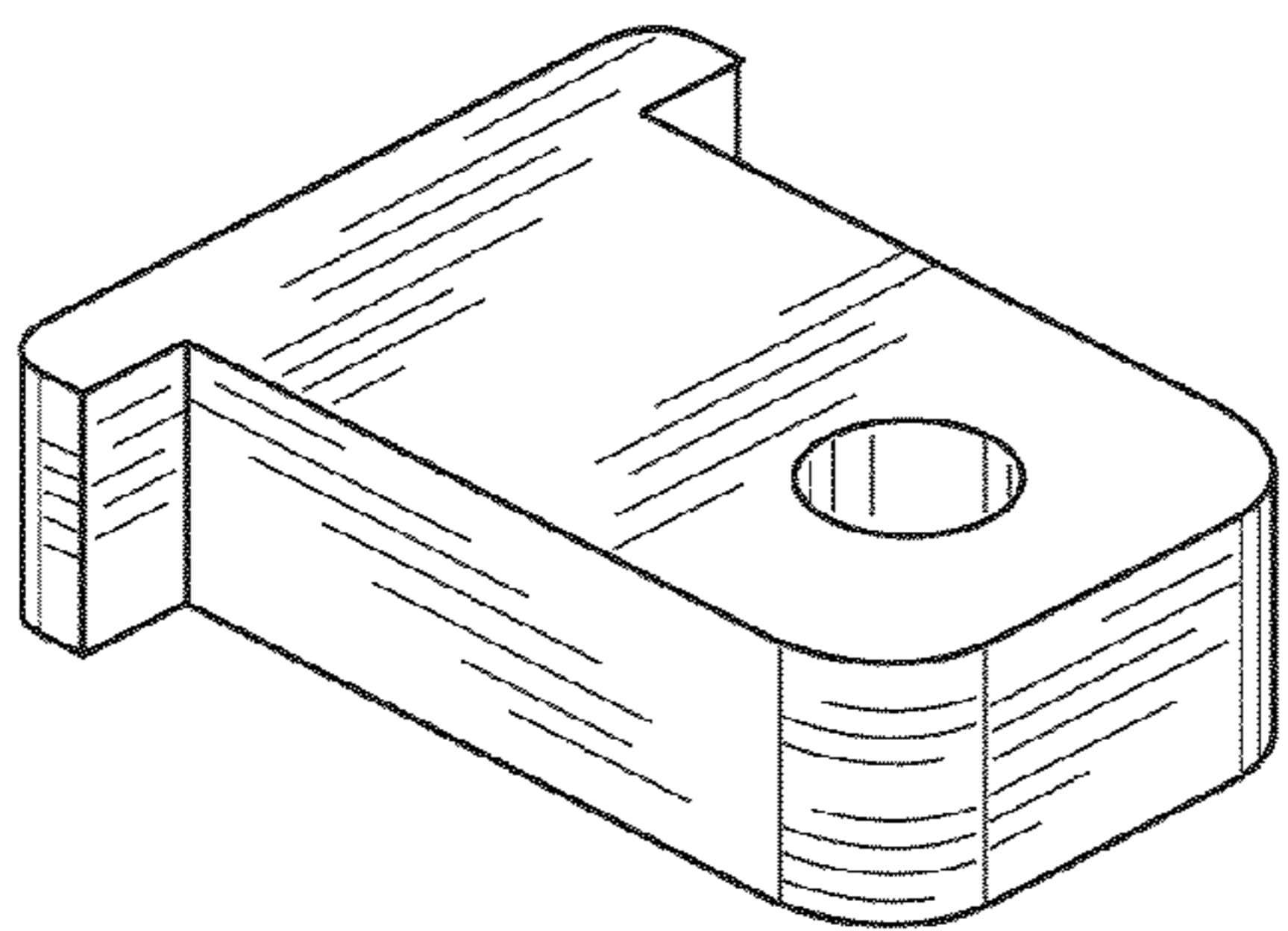


FIG. 1

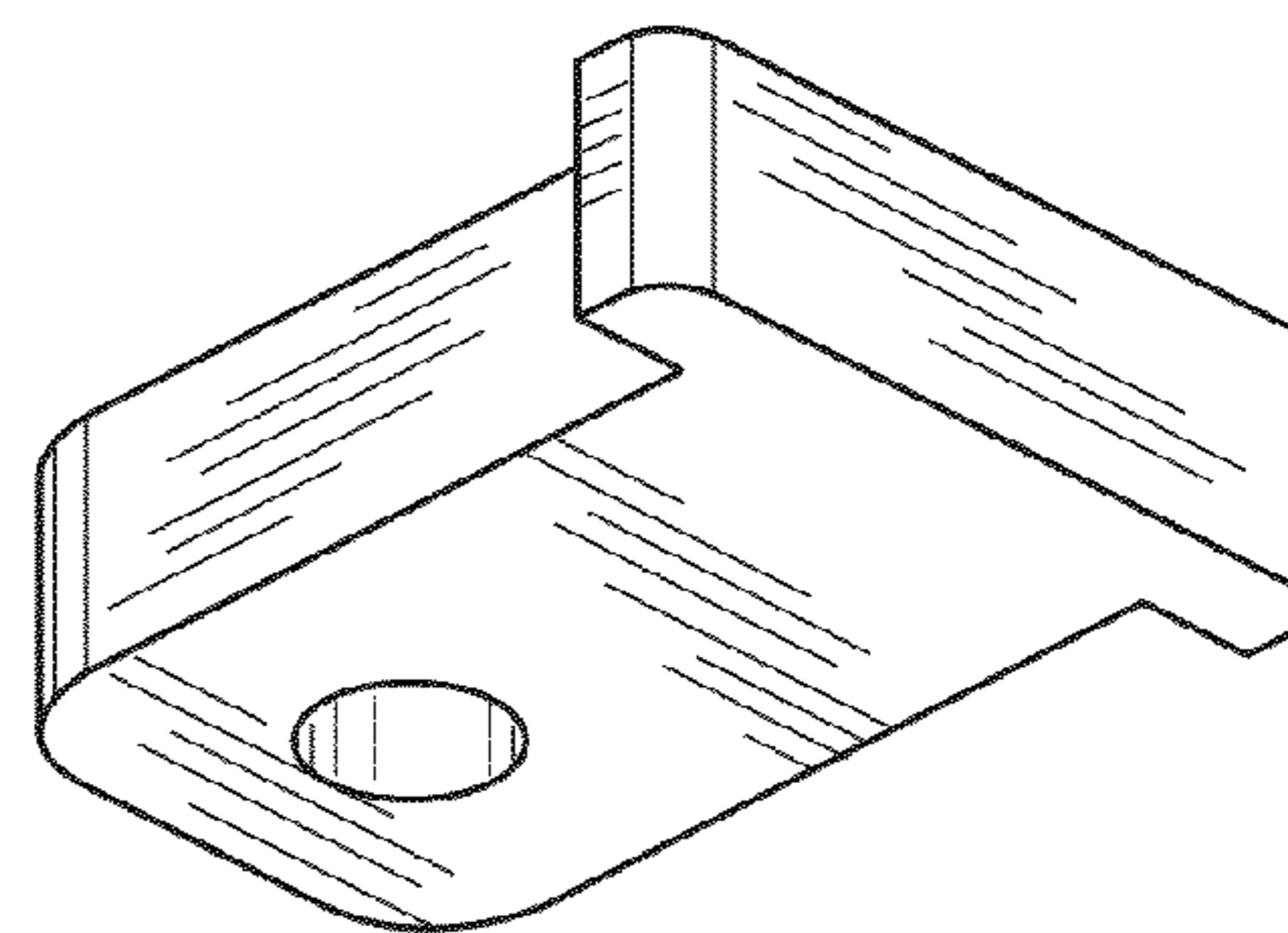


FIG. 2

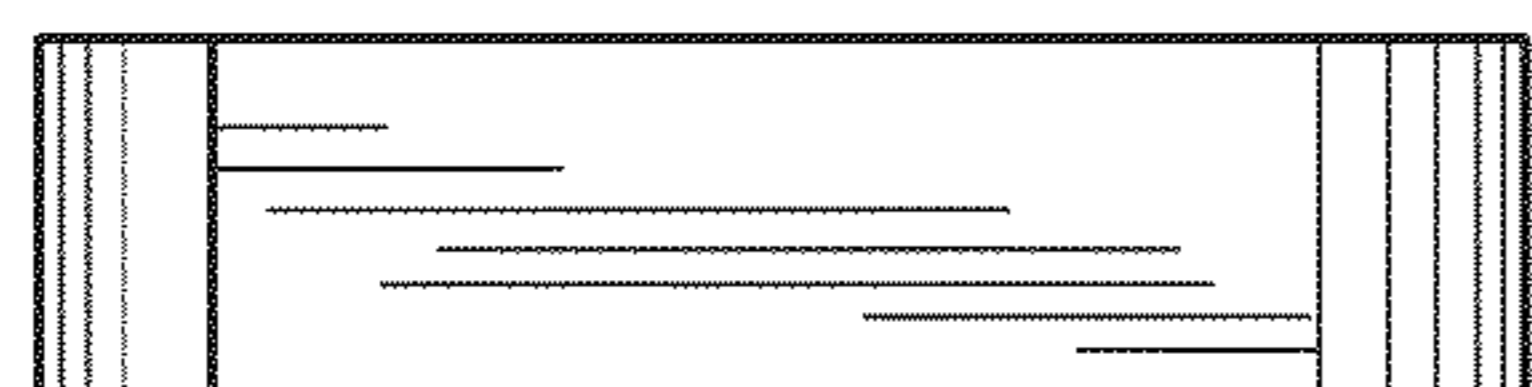


FIG. 3



FIG. 4

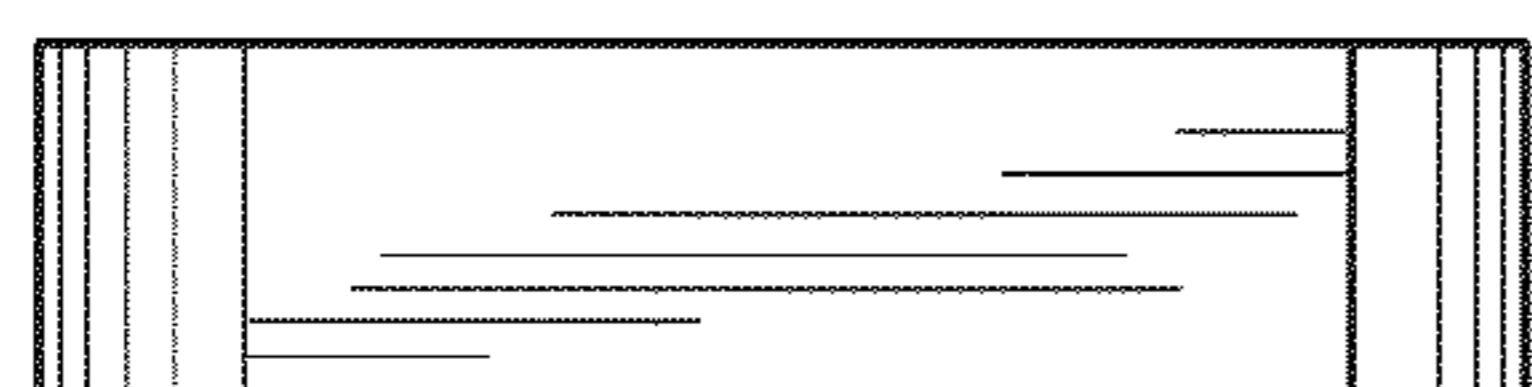


FIG. 5

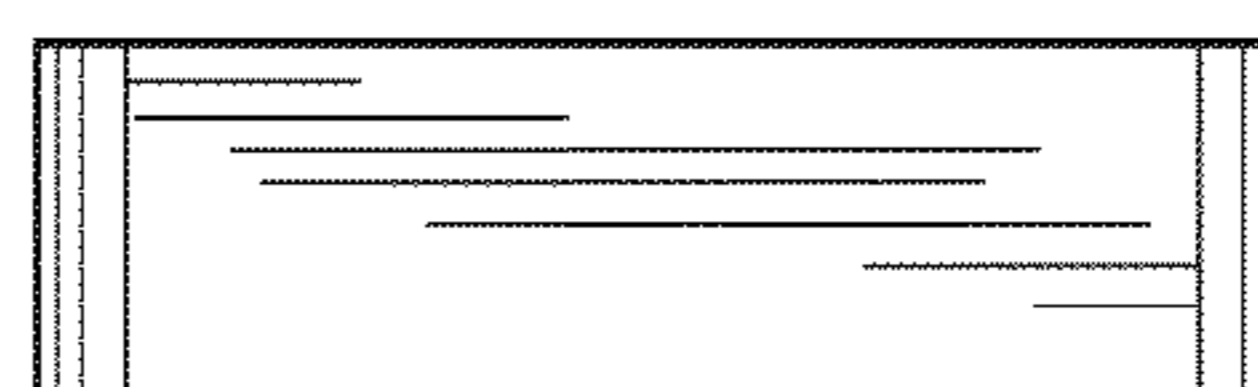


FIG. 6

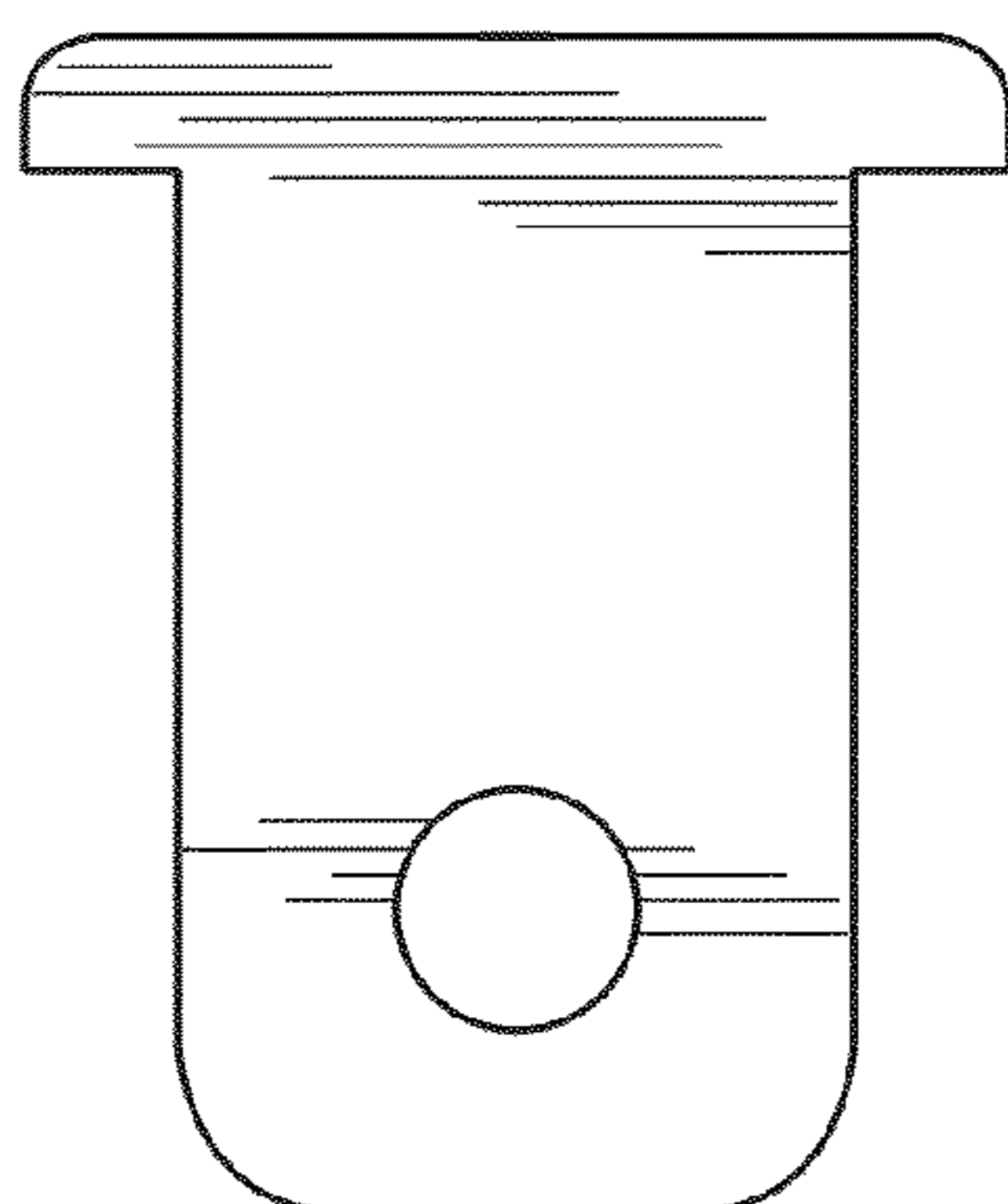


FIG. 7

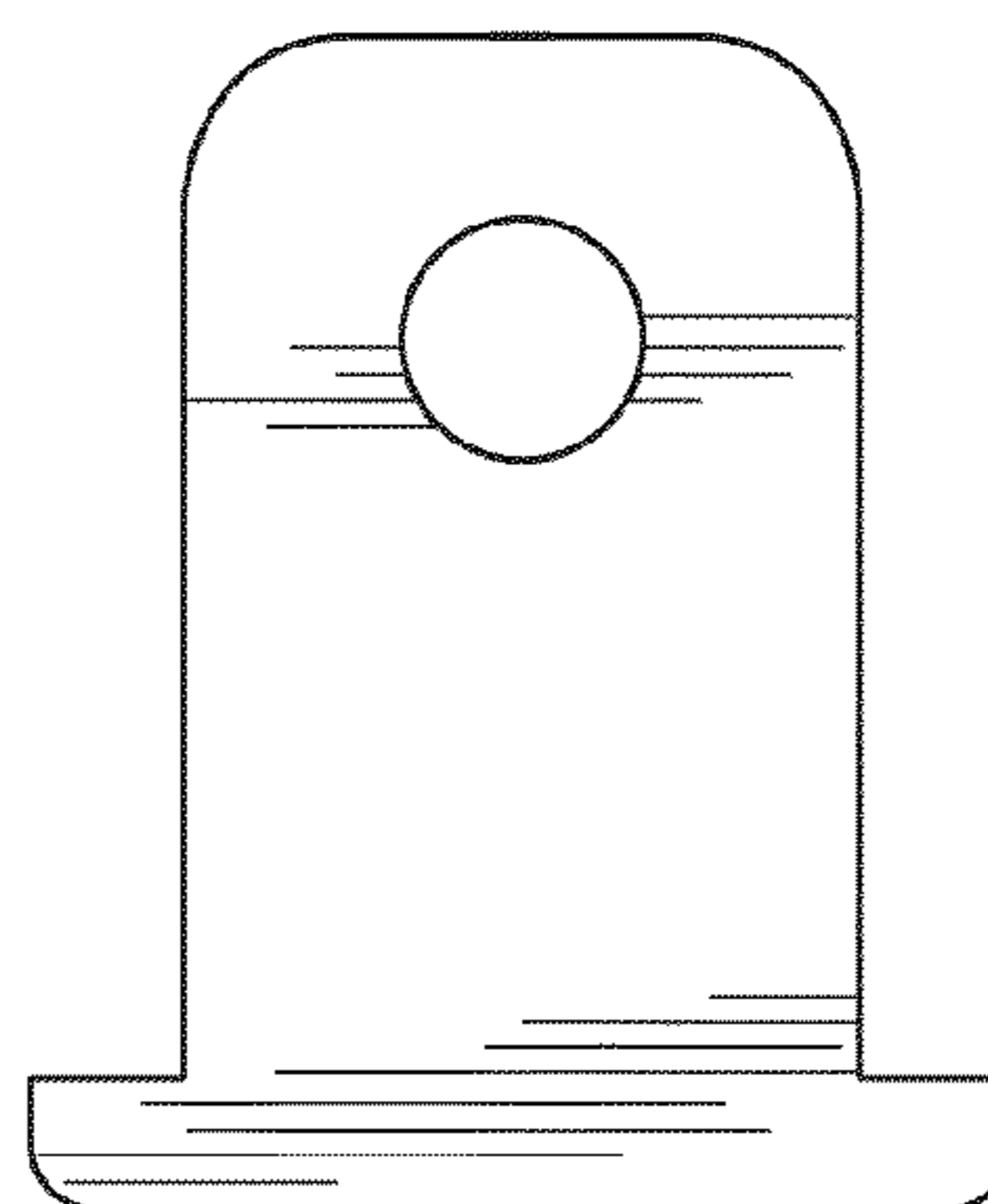


FIG. 8

UNITED STATES PATENT AND TRADEMARK OFFICE
CERTIFICATE OF CORRECTION

PATENT NO. : D727,719 S
APPLICATION NO. : 29/490272
DATED : April 28, 2015
INVENTOR(S) : Jeffrey Bento Ribeiro

Page 1 of 1

It is certified that error appears in the above-identified patent and that said Letters Patent is hereby corrected as shown below:

On the title page item 73

There is an error in the Assignee's last name. The Assignee's last name is RIBEIRO.

Signed and Sealed this
Fourth Day of August, 2015



Michelle K. Lee
Director of the United States Patent and Trademark Office

UNITED STATES PATENT AND TRADEMARK OFFICE
CERTIFICATE OF CORRECTION

PATENT NO. : D727,719 S
APPLICATION NO. : 29/490272
DATED : April 28, 2015
INVENTOR(S) : Ribeiro

Page 1 of 1

It is certified that error appears in the above-identified patent and that said Letters Patent is hereby corrected as shown below:

This certificate supersedes the Certificate of Correction issued on August 04, 2015. The certificate is vacated since petition to correct assignee under 3.81(b) was not acted on by the Office of Petitions. The Certificate of Correction was published in error and should not have been issued for this patent.

Signed and Sealed this
Twenty-fifth Day of August, 2015



Michelle K. Lee
Director of the United States Patent and Trademark Office