



US00D727718S

(12) **United States Design Patent**  
**McLaren Hall**

(10) **Patent No.:** **US D727,718 S**

(45) **Date of Patent:** **\*\* Apr. 28, 2015**

(54) **CLIP**

(71) Applicant: **Rebecca Jean McLaren Hall**, Tigard,  
OR (US)

(72) Inventor: **Rebecca Jean McLaren Hall**, Tigard,  
OR (US)

(\*\*) Term: **14 Years**

(21) Appl. No.: **29/495,455**

(22) Filed: **Jul. 1, 2014**

(51) **LOC (10) Cl.** ..... **08-05**

(52) **U.S. Cl.**  
USPC ..... **D8/373**

(58) **Field of Classification Search**  
CPC . A47G 25/0607; A47G 25/0614; A47G 25/50  
USPC ..... D6/315, 320, 323, 512, 553, 567;  
D8/349, 354, 373, 366, 367, 380, 499;  
248/682, 683, 690, 692, 200, 205.1,  
248/205.3, 207, 694

See application file for complete search history.

(56) **References Cited**

**U.S. PATENT DOCUMENTS**

D25,647 S *	6/1896	Willon .....	D8/356
3,409,257 A *	11/1968	Elm .....	248/65
D279,630 S *	7/1985	Bart .....	D6/567
D318,608 S *	7/1991	Schenker .....	D8/382
D361,930 S *	9/1995	Fillipp et al. ....	D8/367

D443,503 S *	6/2001	Harvey .....	D8/367
D494,452 S *	8/2004	Sheldon et al. ....	D8/367
D543,837 S *	6/2007	Newbould et al. ....	D8/367
D551,542 S *	9/2007	Gallien et al. ....	D8/373
D613,589 S *	4/2010	Goodman et al. ....	D8/367
D697,389 S *	1/2014	Pan .....	D8/367
D712,725 S *	9/2014	Wu .....	D8/367
D716,641 S *	11/2014	Goodman et al. ....	D8/371

\* cited by examiner

*Primary Examiner* — Karen E Kearney

*Assistant Examiner* — Ieisha Price

(74) *Attorney, Agent, or Firm* — Antonio Papageorgiou,  
Esq.; Meister Seelig & Fein LLP

(57) **CLAIM**

The ornamental design for the clip, as shown and described.

**DESCRIPTION**

FIG. 1 is a perspective view of the left side, the top, and the front of the clip showing my new design;

FIG. 2 is a perspective view of the right side, the top, and the front of the clip;

FIG. 3 is a front view thereof;

FIG. 4 is a back view thereof;

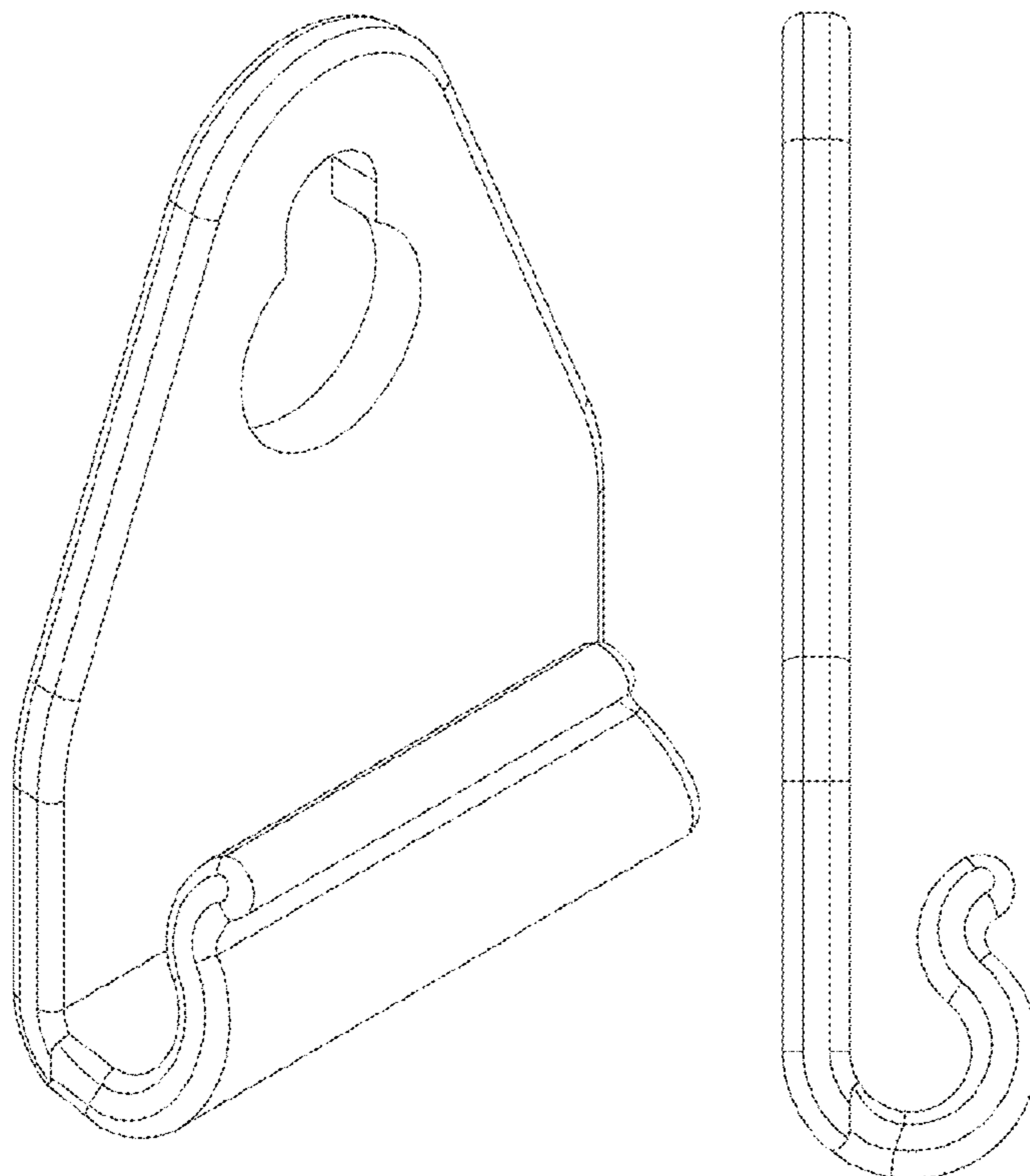
FIG. 5 is a left side view thereof;

FIG. 6 is a right side view thereof;

FIG. 7 is a top view thereof; and,

FIG. 8 is a bottom view thereof.

**1 Claim, 7 Drawing Sheets**



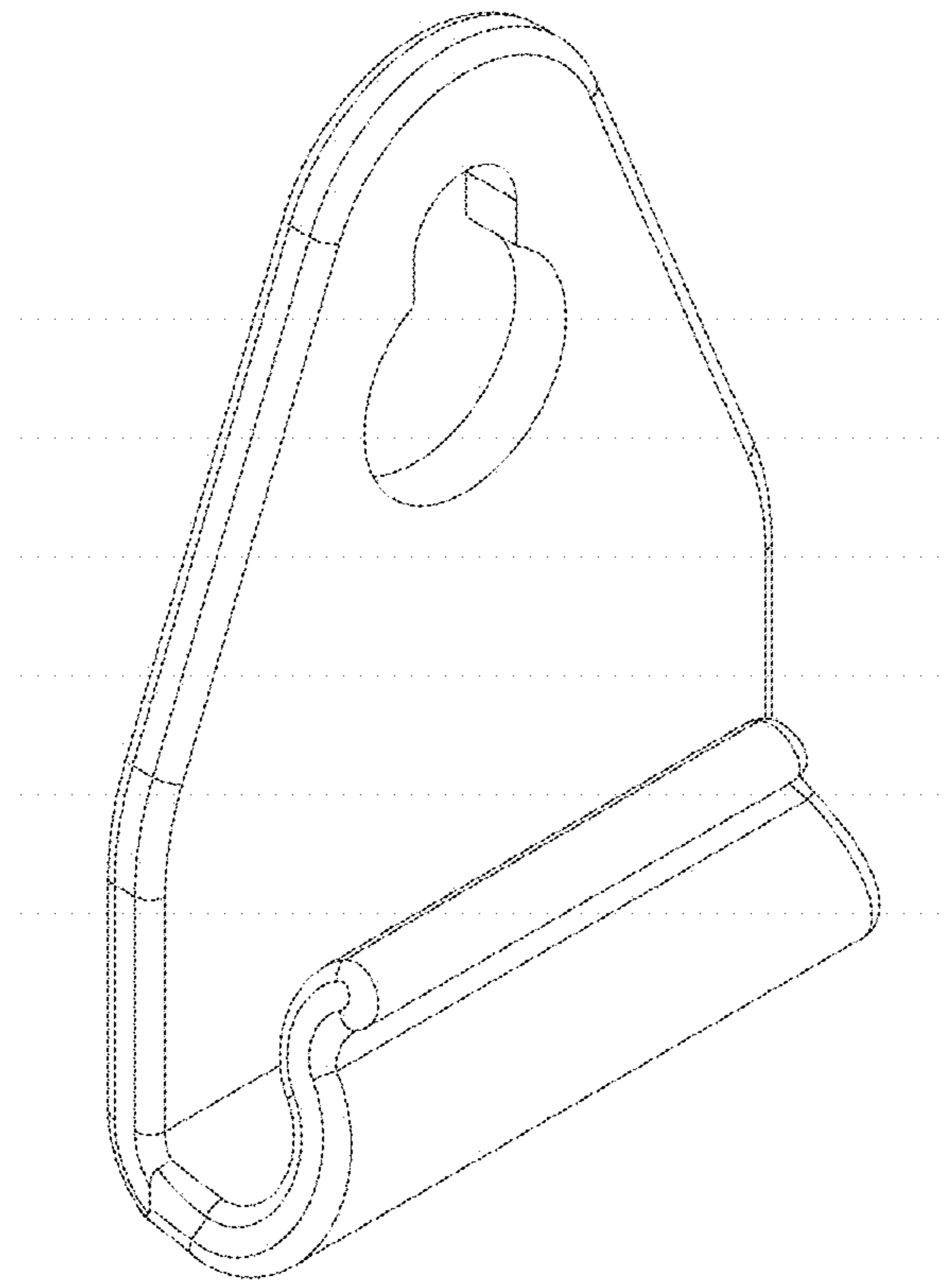


Fig. 1

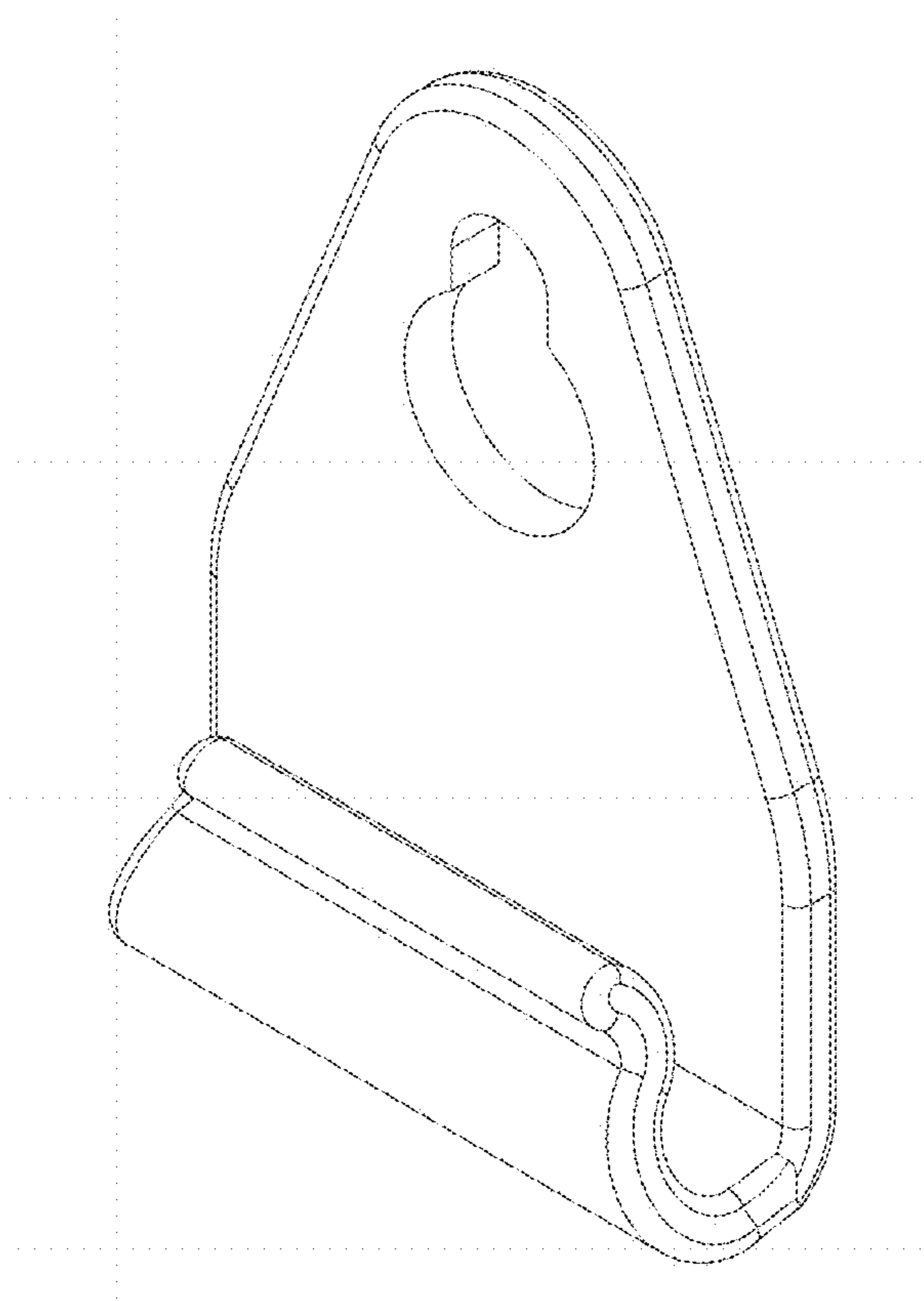


Fig. 2

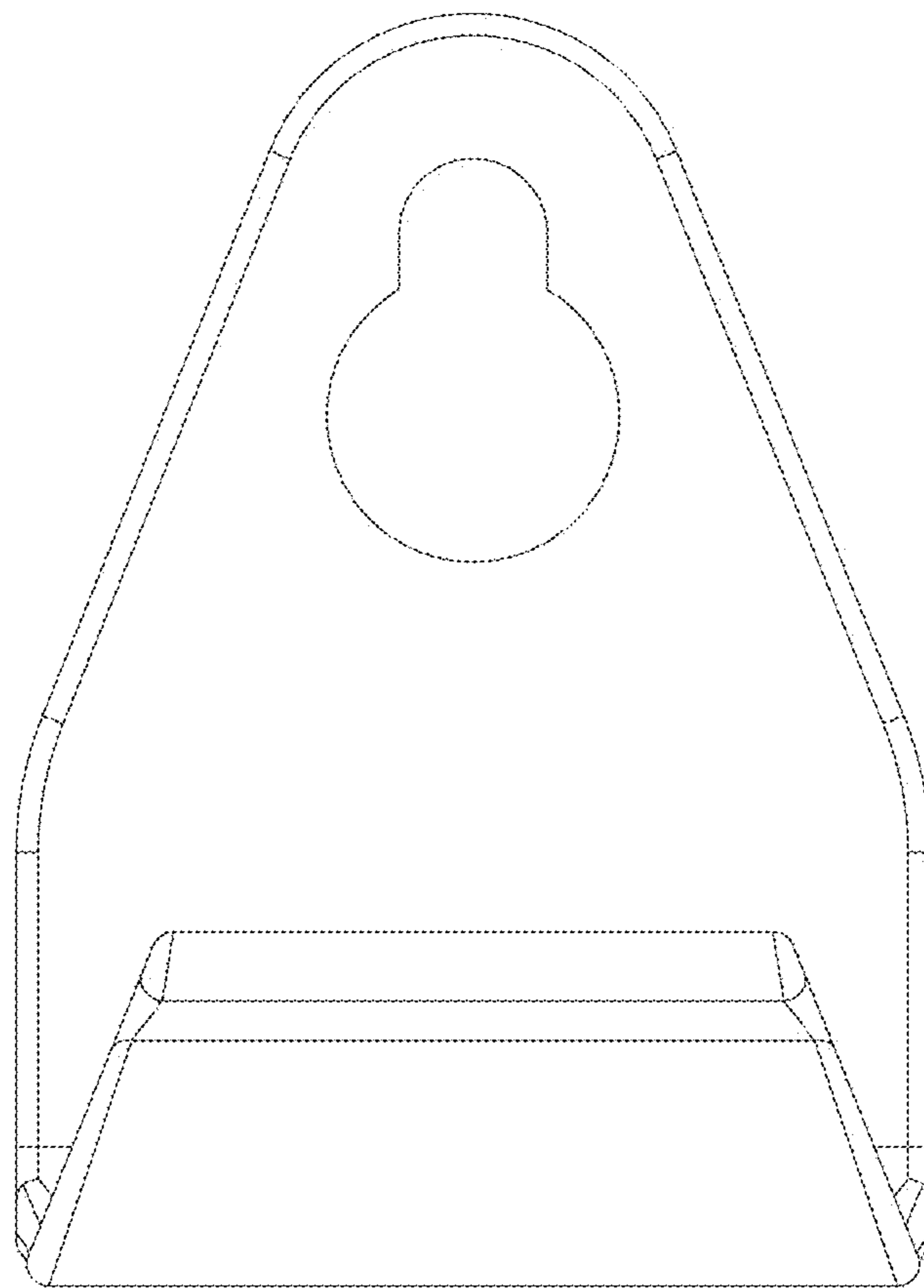


Fig. 3

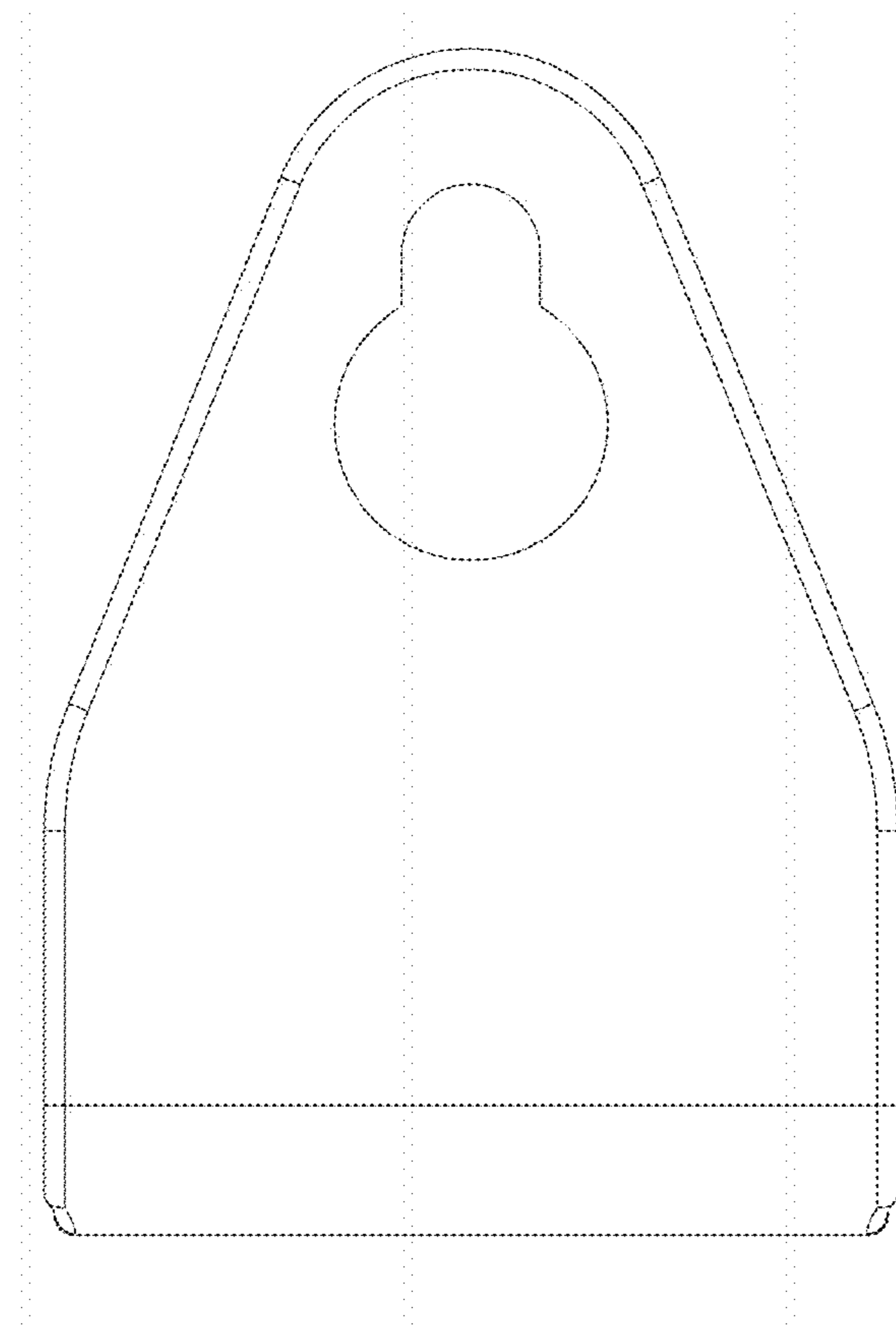


Fig. 4

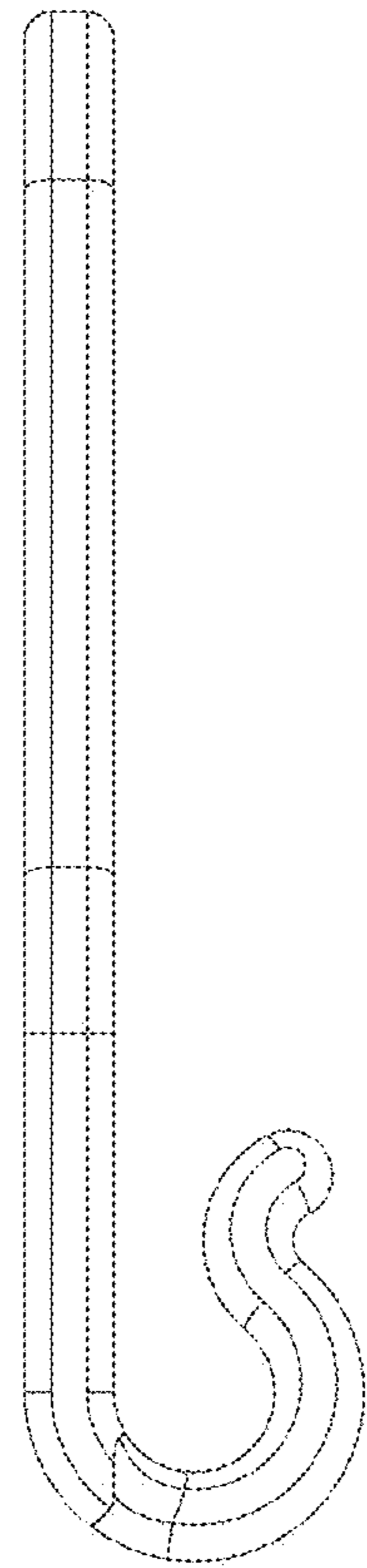


Fig. 5

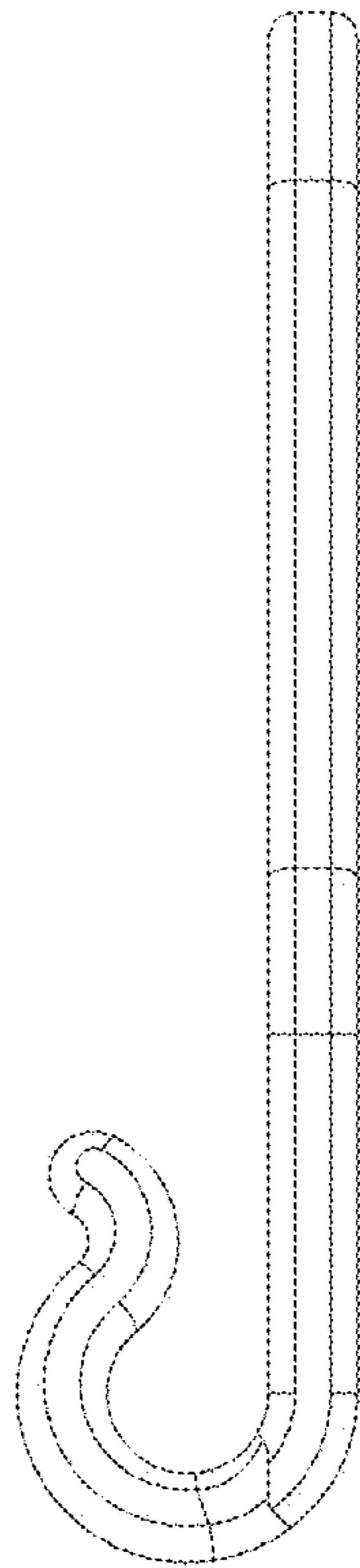


Fig. 6

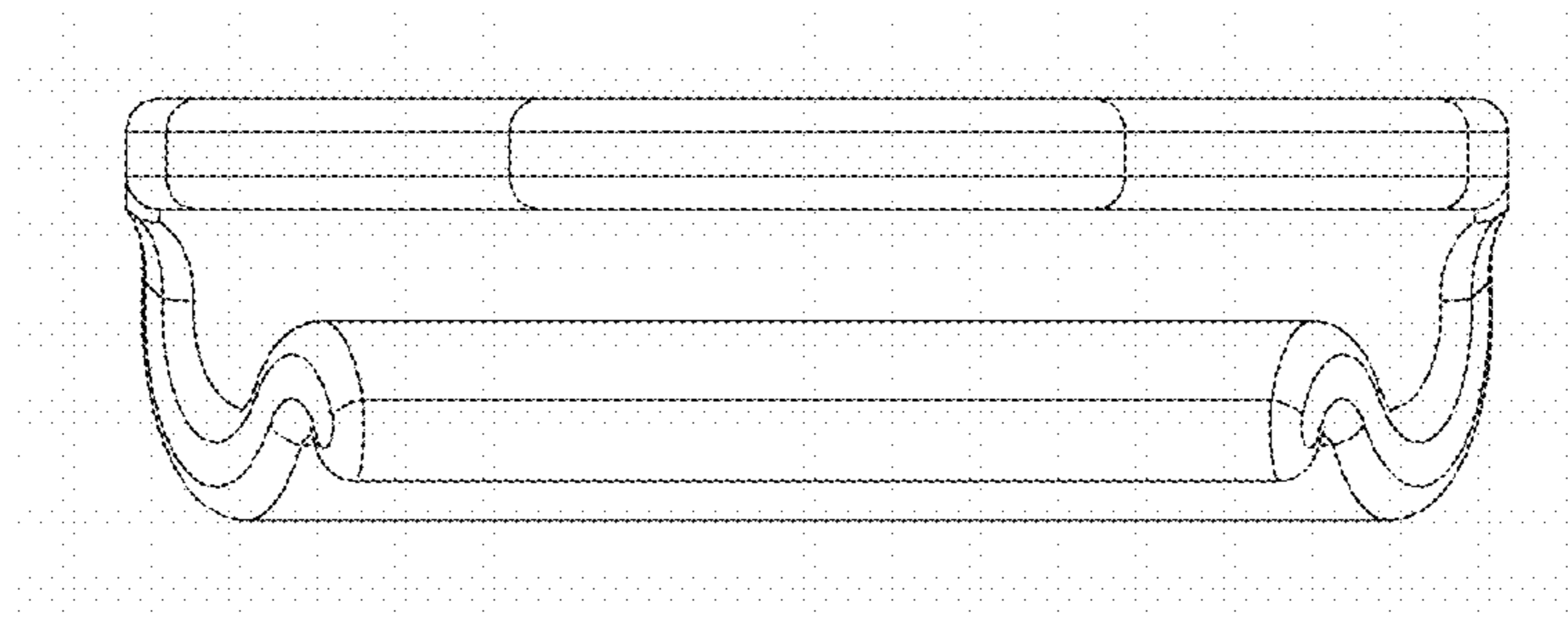


Fig. 7



Fig. 8