



US00D727717S

(12) **United States Design Patent**
Byrne et al.

(10) **Patent No.:** **US D727,717 S**
(45) **Date of Patent:** **** Apr. 28, 2015**

- (54) **CORD WRAP AND ORGANIZER**
- (71) Applicants: **Norman R. Byrne**, Ada, MI (US);
Thomas A. Petersen, Sand Lake, MI (US); **William F. Schacht**, Grand Rapids, MI (US); **Chad Zimmerman**, Hastings, MI (US)
- (72) Inventors: **Norman R. Byrne**, Ada, MI (US);
Thomas A. Petersen, Sand Lake, MI (US); **William F. Schacht**, Grand Rapids, MI (US); **Chad Zimmerman**, Hastings, MI (US)
- (**) Term: **14 Years**
- (21) Appl. No.: **29/488,530**
- (22) Filed: **Apr. 21, 2014**
- (51) **LOC (10) Cl.** **08-05**
- (52) **U.S. Cl.**
USPC **D8/356**
- (58) **Field of Classification Search**
CPC A61N 1/00
USPC 410/97; D8/396, 356, 367, 354, 349,
D8/394, 373; D11/218; 206/320; 248/62,
248/63, 65, 74.1, 74.2, 75, 313, 316.1,
248/229.26; D24/455
See application file for complete search history.

- D372,419 S * 8/1996 Ikegami D8/382
- 5,702,845 A * 12/1997 Kawakami et al. 429/224
- D395,815 S * 7/1998 Walters et al. D8/354
- 5,901,930 A * 5/1999 Harrel 248/51
- D428,325 S * 7/2000 van Dreumel et al. D8/354
- D500,291 S 12/2004 Byrne
- D526,885 S * 8/2006 Kelleghan D8/356
- D559,080 S * 1/2008 Boote D8/354
- D568,722 S * 5/2008 King D8/354

(Continued)

Primary Examiner — Cynthia Underwood
(74) *Attorney, Agent, or Firm* — Gardner, Linn, Burkhart & Flory, LLP

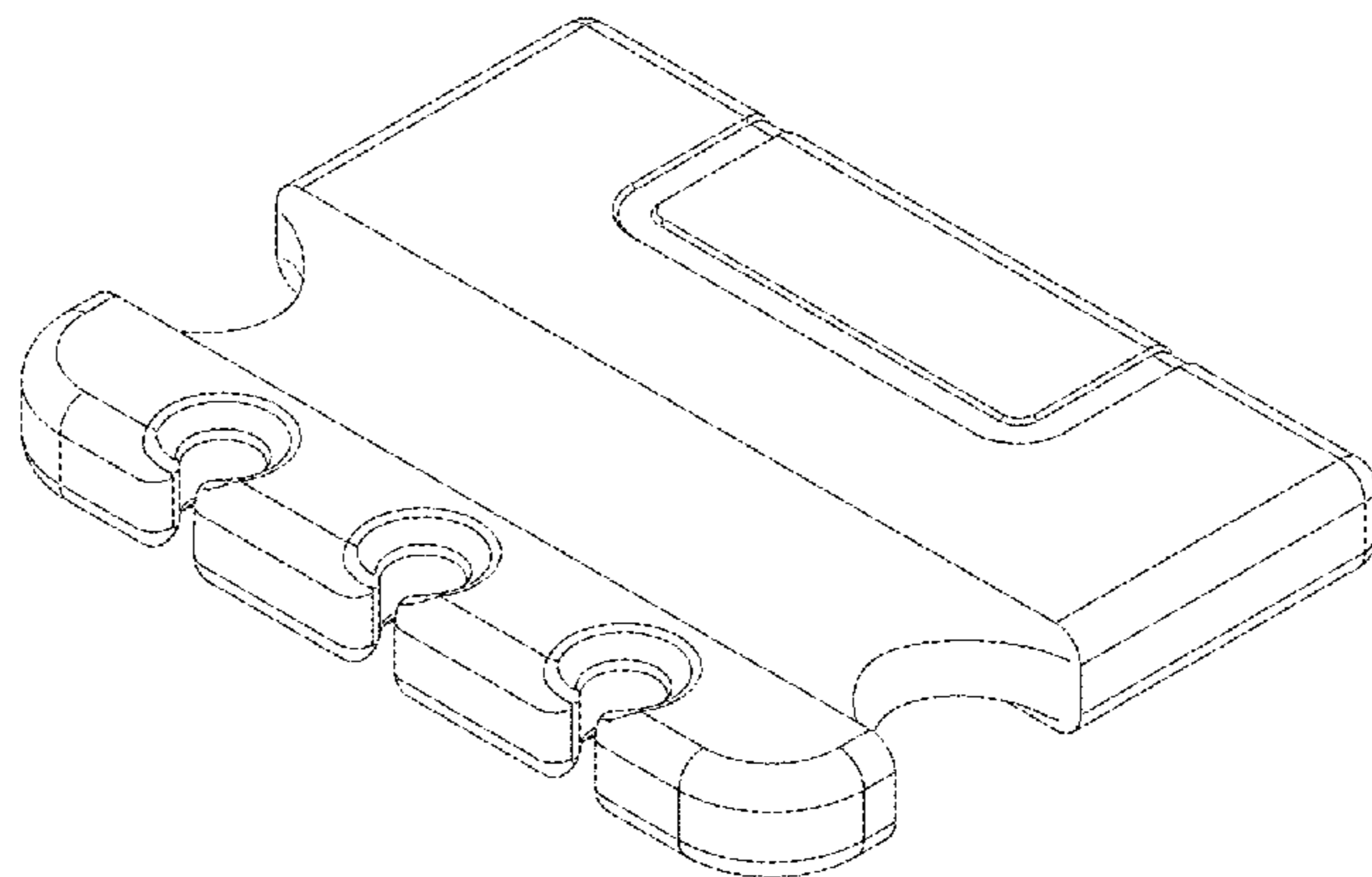
(57) **CLAIM**
The ornamental design for a cord wrap and organizer, as shown and described.

DESCRIPTION

FIG. 1 is a top-front perspective view of a cord wrap and organizer showing our new design;
 FIG. 2 is a bottom-front perspective view of the cord wrap and organizer of FIG. 1;
 FIG. 3 is a top-rear perspective view of the cord wrap and organizer of FIG. 1;
 FIG. 4 is a bottom-rear perspective view of the cord wrap and organizer of FIG. 1;
 FIG. 5 is a top plan view of the cord wrap and organizer of FIG. 1;
 FIG. 6 is a bottom plan view of the cord wrap and organizer of FIG. 1;
 FIG. 7 is a front end elevation of the cord wrap and organizer of FIG. 1;
 FIG. 8 is a rear end elevation of the cord wrap and organizer of FIG. 1;
 FIG. 9 is a left side elevation of the cord wrap and organizer of FIG. 1;
 FIG. 10 is a right side elevation of the cord wrap and organizer of FIG. 1; and,
 FIG. 11 is a perspective view of the cord wrap and organizer, shown reduced in scale in an exemplary operating environment.
 In the drawings, the broken lines depict environmental subject matter only and form no part of the claimed design.

1 Claim, 5 Drawing Sheets

- (56) **References Cited**
U.S. PATENT DOCUMENTS
- 450,378 A * 4/1891 Robinson 451/461
- 1,342,001 A * 6/1920 Schulte 429/121
- D140,317 S * 2/1945 Allen D8/397
- 2,790,570 A * 4/1957 Hodges et al. 215/260
- 3,123,879 A * 3/1964 Boduroff et al. 403/217
- 3,132,822 A * 5/1964 Arthur 242/613.4
- 3,308,703 A * 3/1967 Sauer 83/676
- 3,363,216 A * 1/1968 Benedetto 439/147
- D308,933 S * 7/1990 Hube et al. D8/356
- 5,027,478 A * 7/1991 Suhr 24/16 R
- 5,046,899 A * 9/1991 Nishi 407/102
- D340,942 S * 11/1993 Smith D17/99
- D358,545 S * 5/1995 Price D8/356



(56)

References Cited

U.S. PATENT DOCUMENTS

D587,101 S *	2/2009	Morgan	D8/356	D638,692 S *	5/2011	Hoek	D8/356
D587,102 S *	2/2009	Morgan	D8/356	D639,145 S *	6/2011	Hoek	D8/356
D597,403 S *	8/2009	Ho et al.	D8/396	D639,146 S *	6/2011	Hoek	D8/356
D613,412 S *	4/2010	DeCarlo	D24/186	D640,527 S *	6/2011	Hoek	D8/356
D619,940 S *	7/2010	Strang	D12/159	D655,598 S *	3/2012	Hsu	D8/356
D620,781 S *	8/2010	Weckworth	D8/356	D674,271 S *	1/2013	Rodwin	D8/356
D628,218 S *	11/2010	Tommassini	D15/138	D680,419 S *	4/2013	Green et al.	D8/354
D638,690 S *	5/2011	Hoek	D8/356	8,444,425 B2	5/2013	Byrne		
D638,691 S *	5/2011	Hoek	D8/356	D691,877 S *	10/2013	Ganski	D8/356
					D701,448 S *	3/2014	Rodwin	D8/356
					D701,863 S	4/2014	Byrne et al.		
					D709,355 S *	7/2014	Berger et al.	D8/356

* cited by examiner

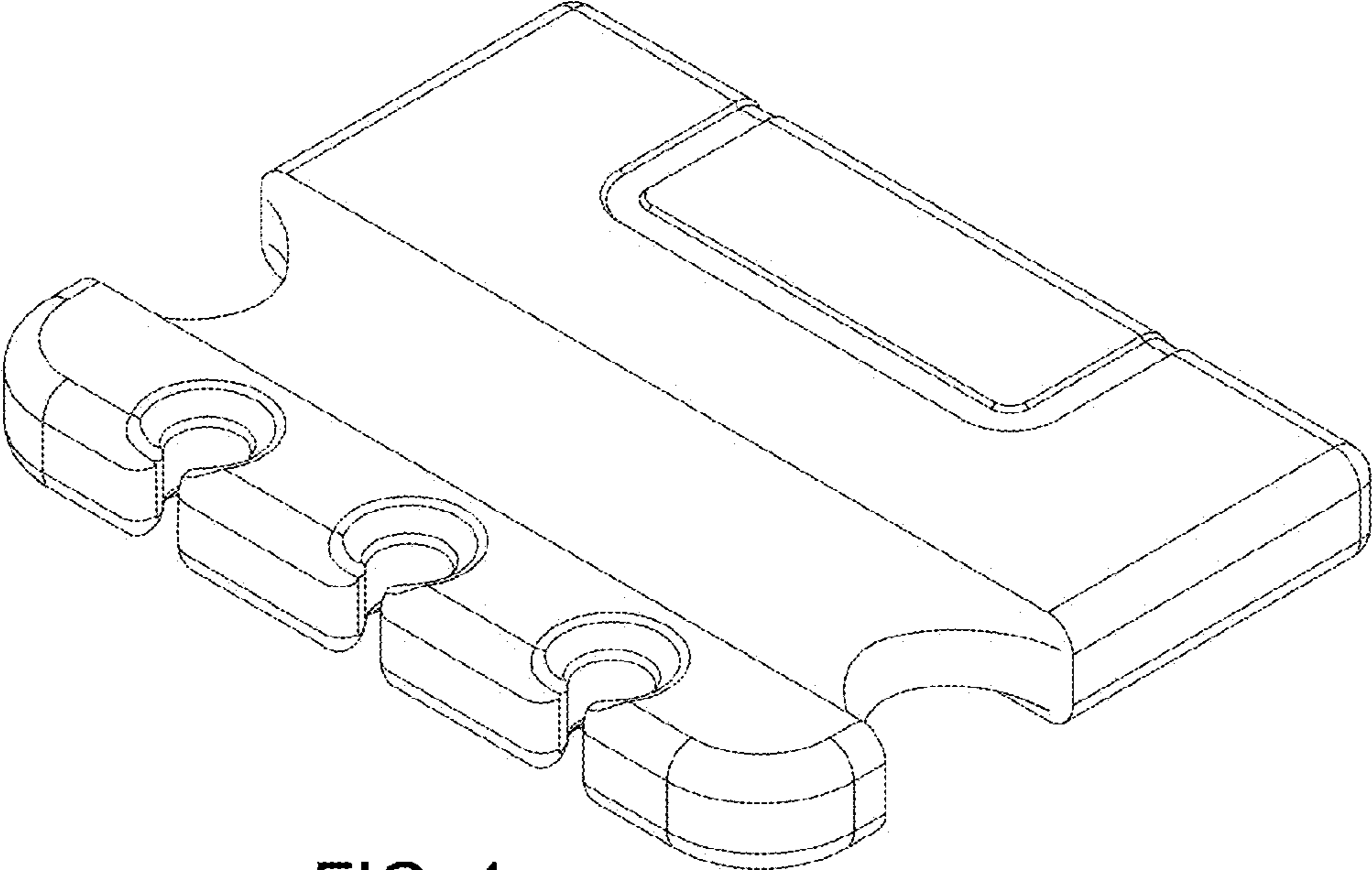


FIG. 1

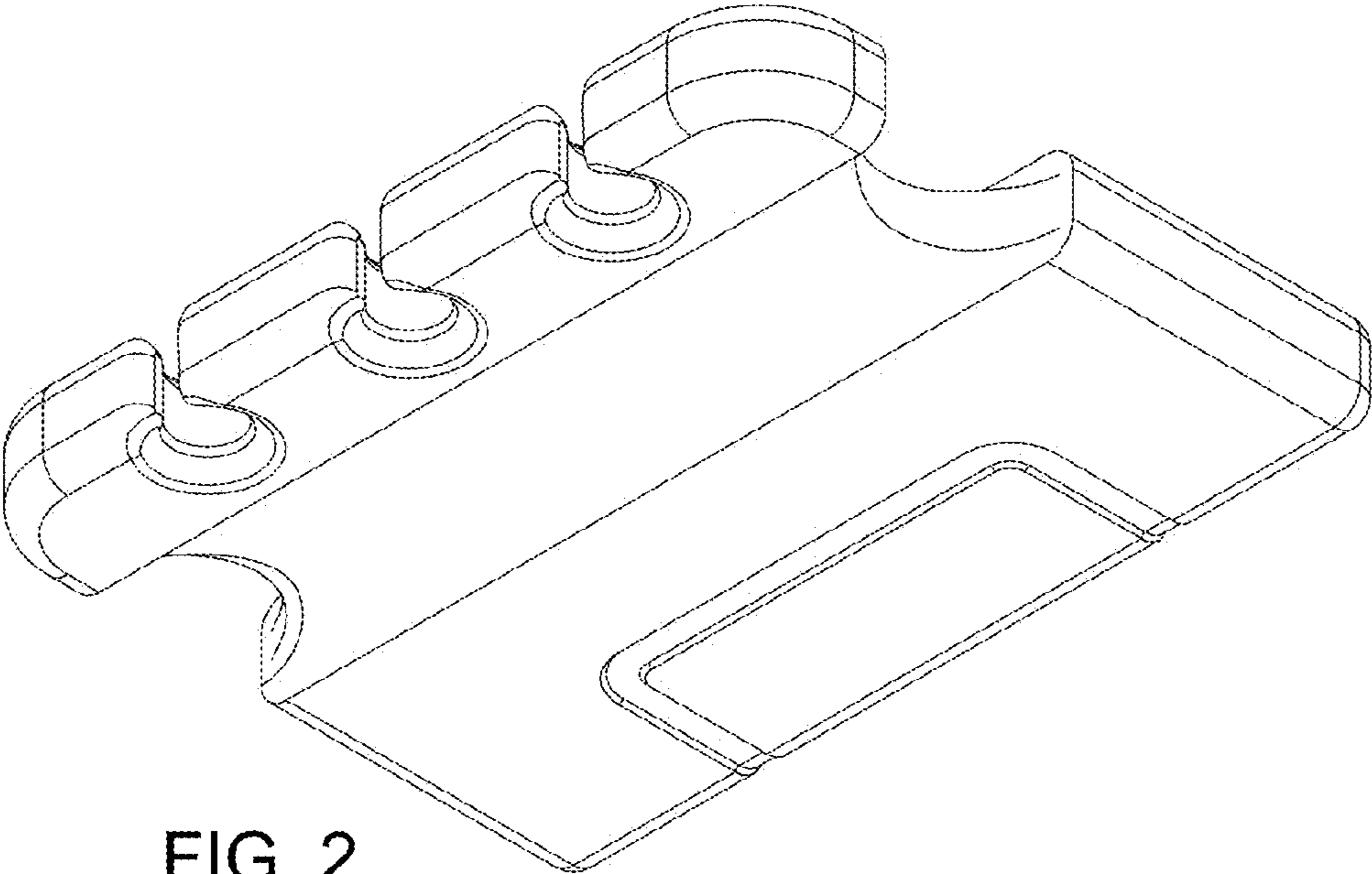


FIG. 2

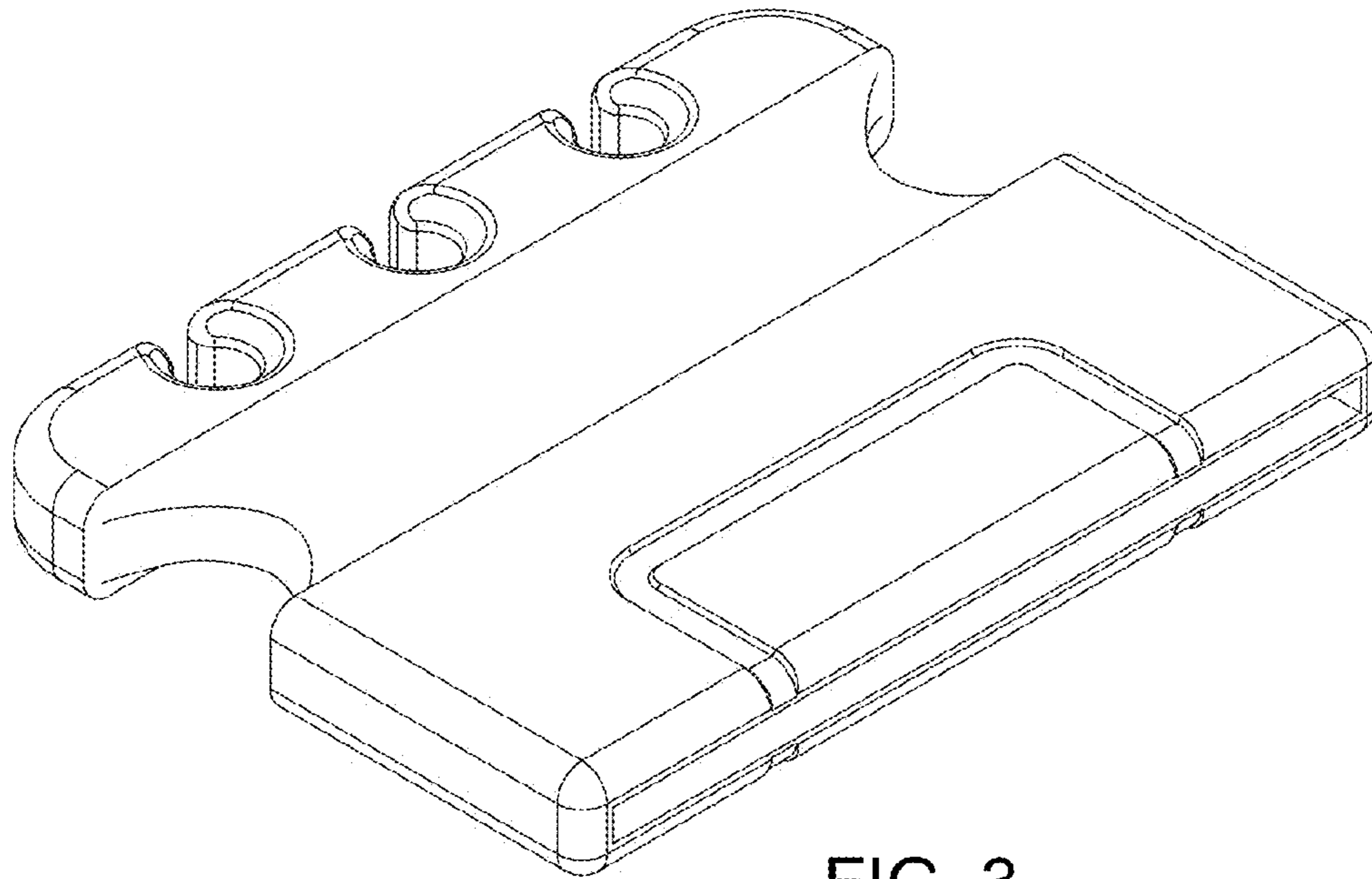


FIG. 3

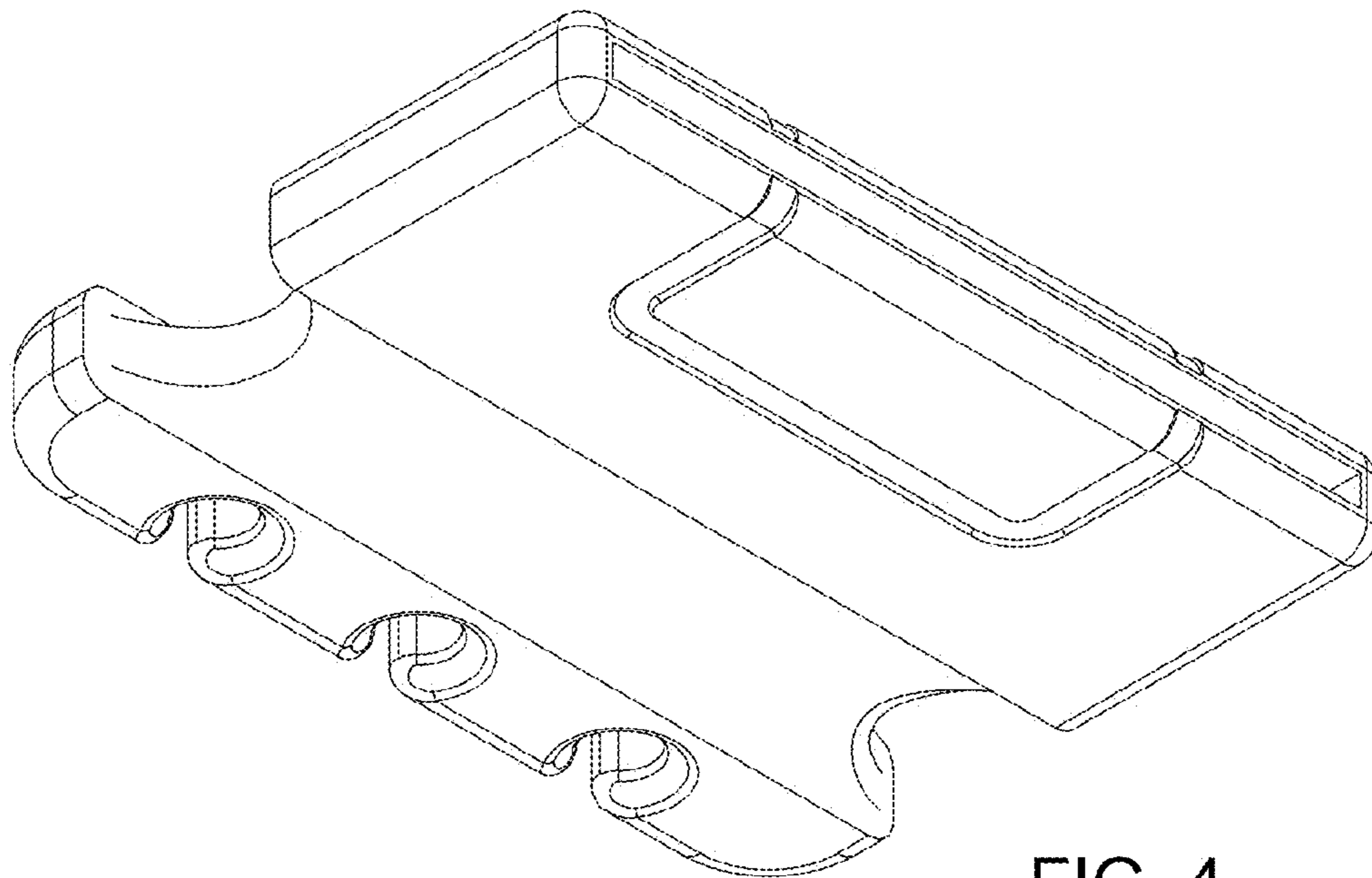


FIG. 4

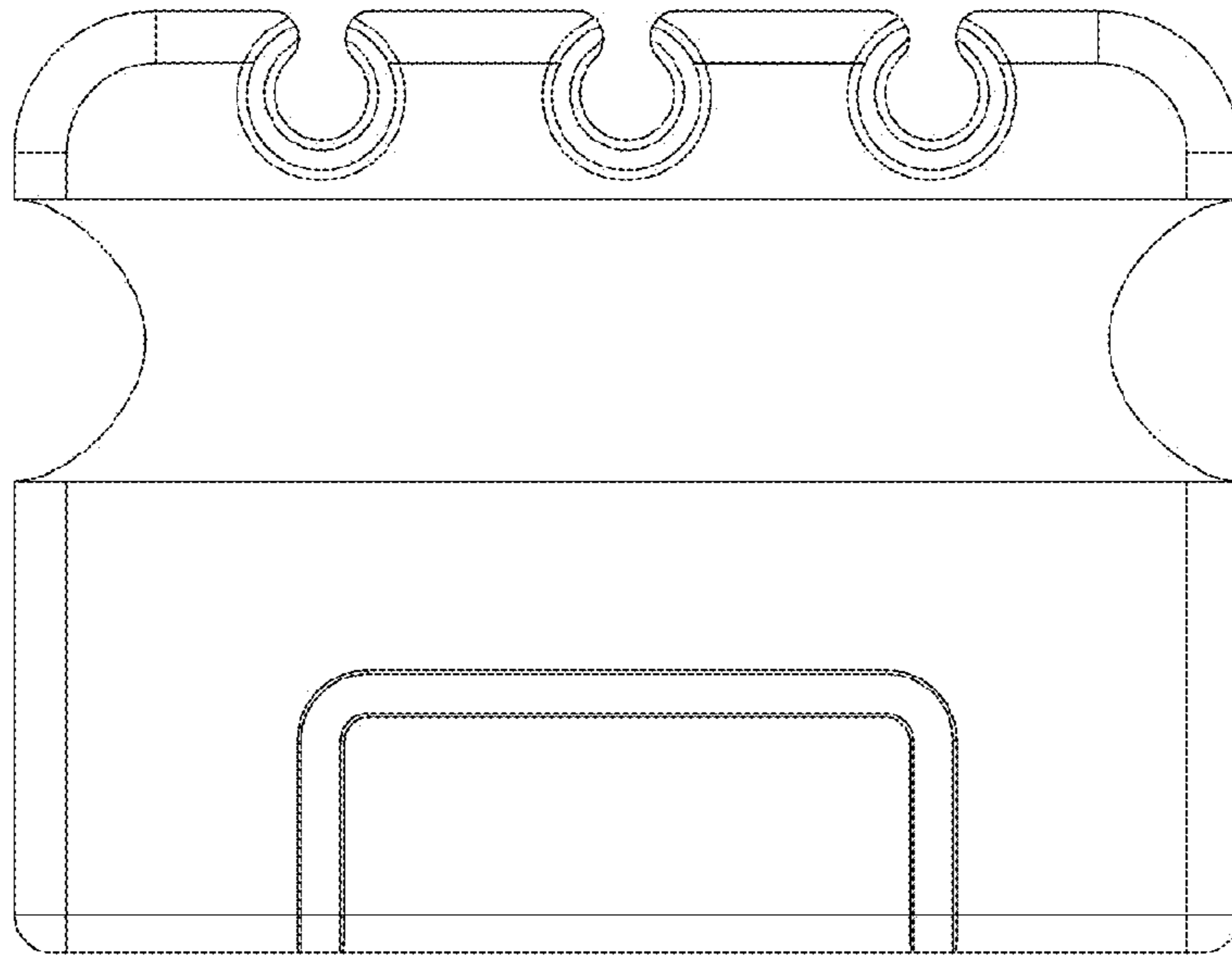


FIG. 5

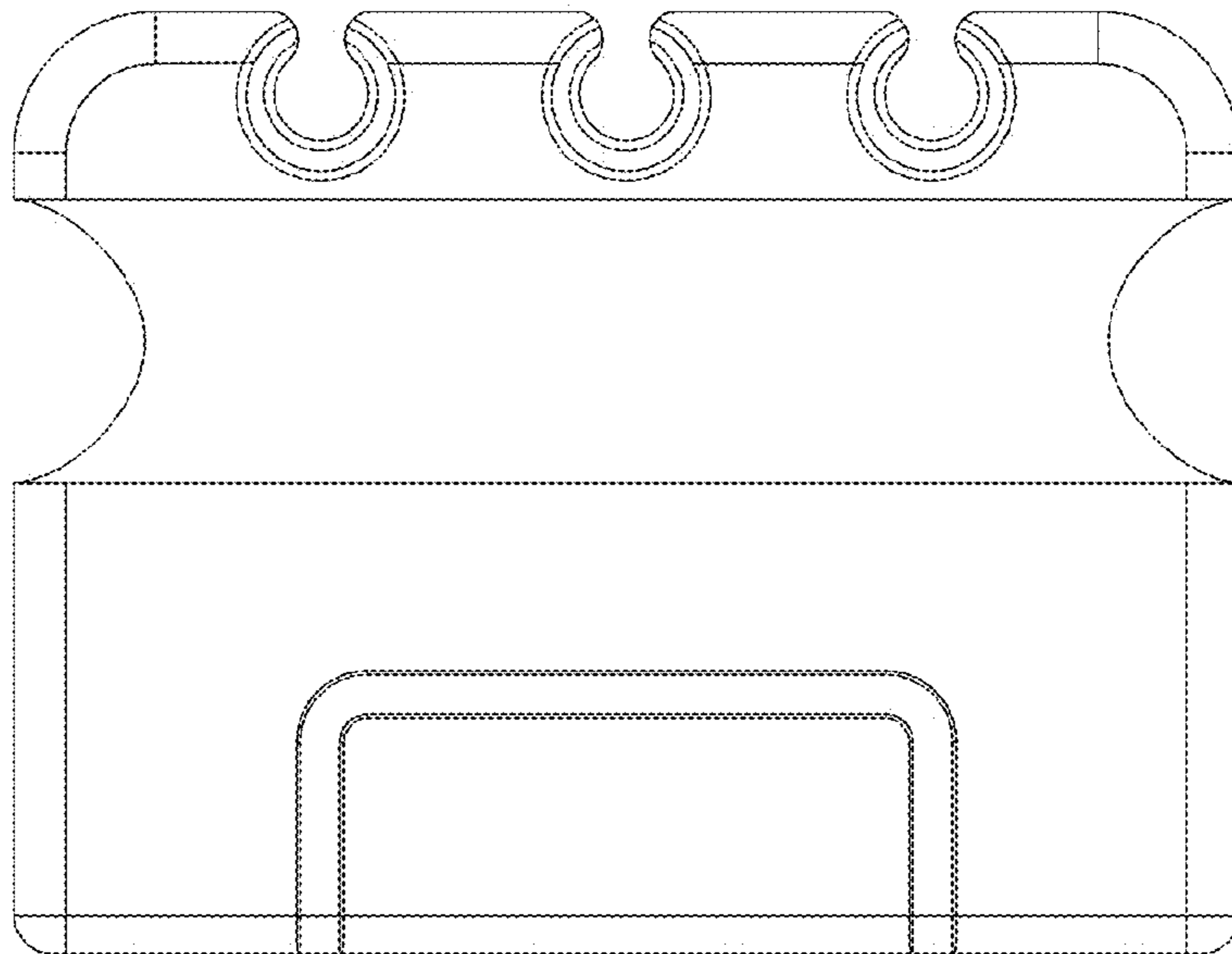


FIG. 6

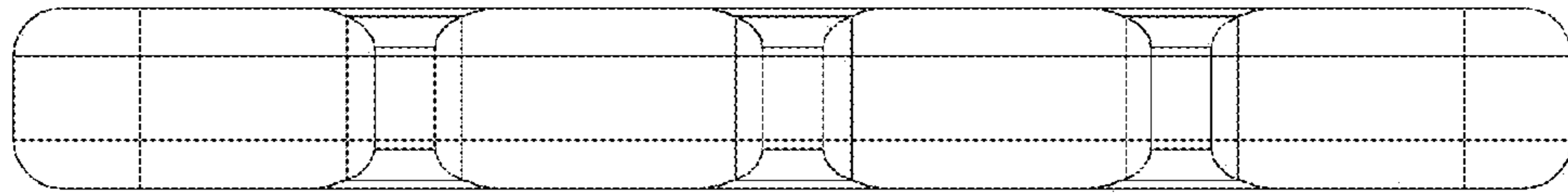


FIG. 7

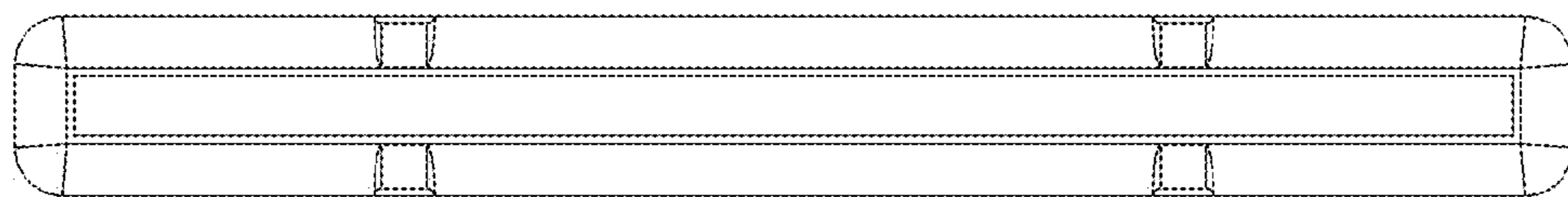


FIG. 8

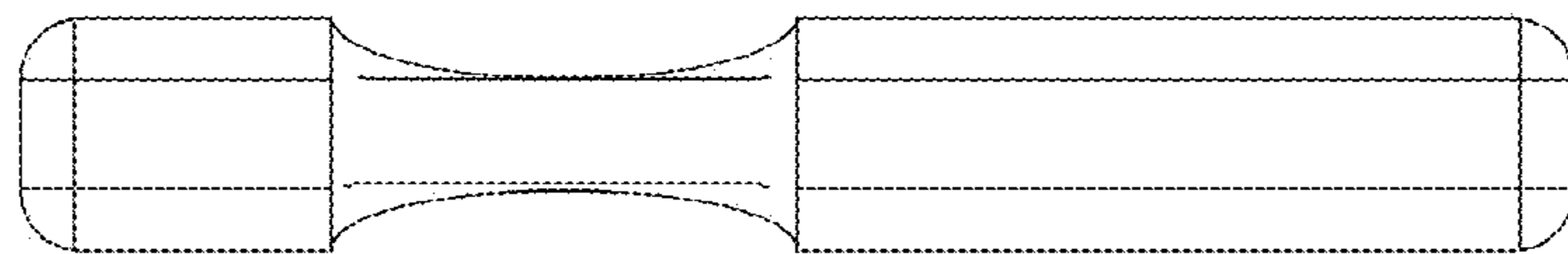


FIG. 9

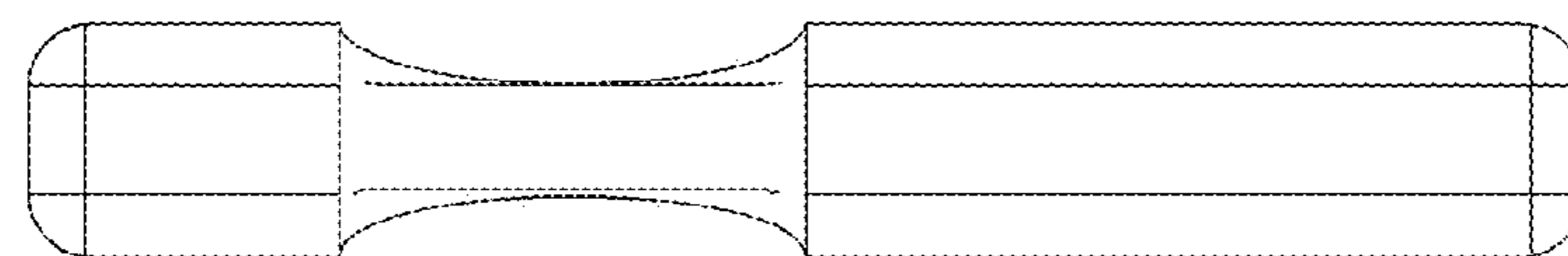


FIG. 10

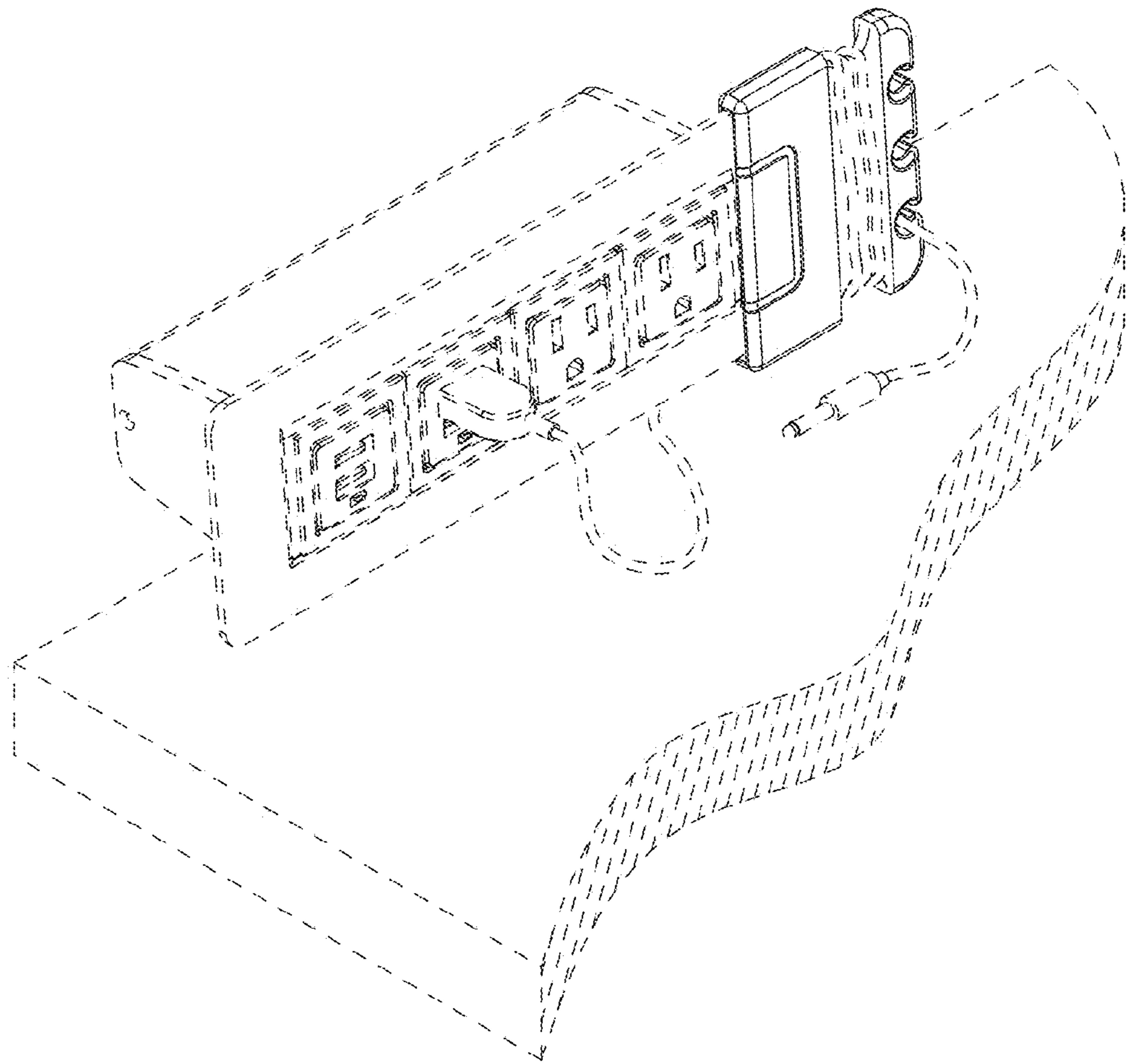


FIG. 11

UNITED STATES PATENT AND TRADEMARK OFFICE
CERTIFICATE OF CORRECTION

PATENT NO. : D727,717 S
APPLICATION NO. : 29/488530
DATED : April 28, 2015
INVENTOR(S) : Norman R. Byrne et al.

Page 1 of 7

It is certified that error appears in the above-identified patent and that said Letters Patent is hereby corrected as shown below:

The title page, showing the illustrative figure, should be deleted and substitute therefor the attached title page.

The drawing sheets, consisting of figs. 1-11, should be deleted to be replaced with the drawing sheets, consisting of figs. 1-11, as shown on the attached pages.

Signed and Sealed this
Sixteenth Day of August, 2016



Michelle K. Lee
Director of the United States Patent and Trademark Office

(12) **United States Design Patent** (10) **Patent No.:** **US D727,717 S**
 Byrne et al. (45) **Date of Patent:** **** Apr. 28, 2015**

(54) **CORD WRAP AND ORGANIZER**
 (71) Applicants: **Norman R. Byrne**, Ada, MI (US);
Thomas A. Petersen, Sand Lake, MI
 (US); **William F. Schacht**, Grand
 Rapids, MI (US); **Chad Zimmerman**,
 Hastings, MI (US)
 (72) Inventors: **Norman R. Byrne**, Ada, MI (US);
Thomas A. Petersen, Sand Lake, MI
 (US); **William F. Schacht**, Grand
 Rapids, MI (US); **Chad Zimmerman**,
 Hastings, MI (US)

(**) **Term:** **14 Years**

(21) **Appl. No.:** **29/488,530**

(22) **Filed:** **Apr. 21, 2014**

(51) **LOC (10) Cl.** **08-05**

(52) **U.S. CL**
 USPC **D8/356**

(58) **Field of Classification Search**
 CPC **A61N 1/00**
 USPC **410/97; D8/396, 356, 367, 354, 349,**
D8/394, 373; D11/218; 206/320; 248/62,
248/63, 65, 74.1, 74.2, 75, 313, 316.1,
248/229.26; D24/455
 See application file for complete search history.

(56) **References Cited**

U.S. PATENT DOCUMENTS

450,378	A *	4/1891	Robinson	451/461
1,342,001	A *	6/1920	Schulte	429/121
D140,317	S *	2/1945	Allen	D8/397
2,790,570	A *	4/1957	Hodges et al.	215/260
3,123,879	A *	3/1964	Boduroff et al.	403/217
3,132,822	A *	5/1964	Arthur	242/613.4
3,308,703	A *	3/1967	Sauer	83/676
3,363,216	A *	1/1968	Benedetto	439/147
D308,933	S *	7/1990	Hube et al.	D8/356
5,027,478	A *	7/1991	Suhr	24/16 R
5,046,899	A *	9/1991	Nishi	407/102
D340,942	S *	11/1993	Smith	D17/99
D358,545	S *	5/1995	Price	D8/356

D372,419	S *	8/1996	Ikegami	D8/382
5,702,845	A *	12/1997	Kawakami et al.	429/224
D395,815	S *	7/1998	Walters et al.	D8/354
5,901,930	A *	5/1999	Harrel	248/51
D428,325	S *	7/2000	van Dreumel et al.	D8/354
D500,291	S *	12/2004	Byrne	
D526,885	S *	8/2006	Kellegan	D8/356
D559,080	S *	1/2008	Boote	D8/354
D568,722	S *	5/2008	King	D8/354

(Continued)

Primary Examiner — Cynthia Underwood

(74) *Attorney, Agent, or Firm* Gardner, Linn, Burkhardt & Flory, LLP

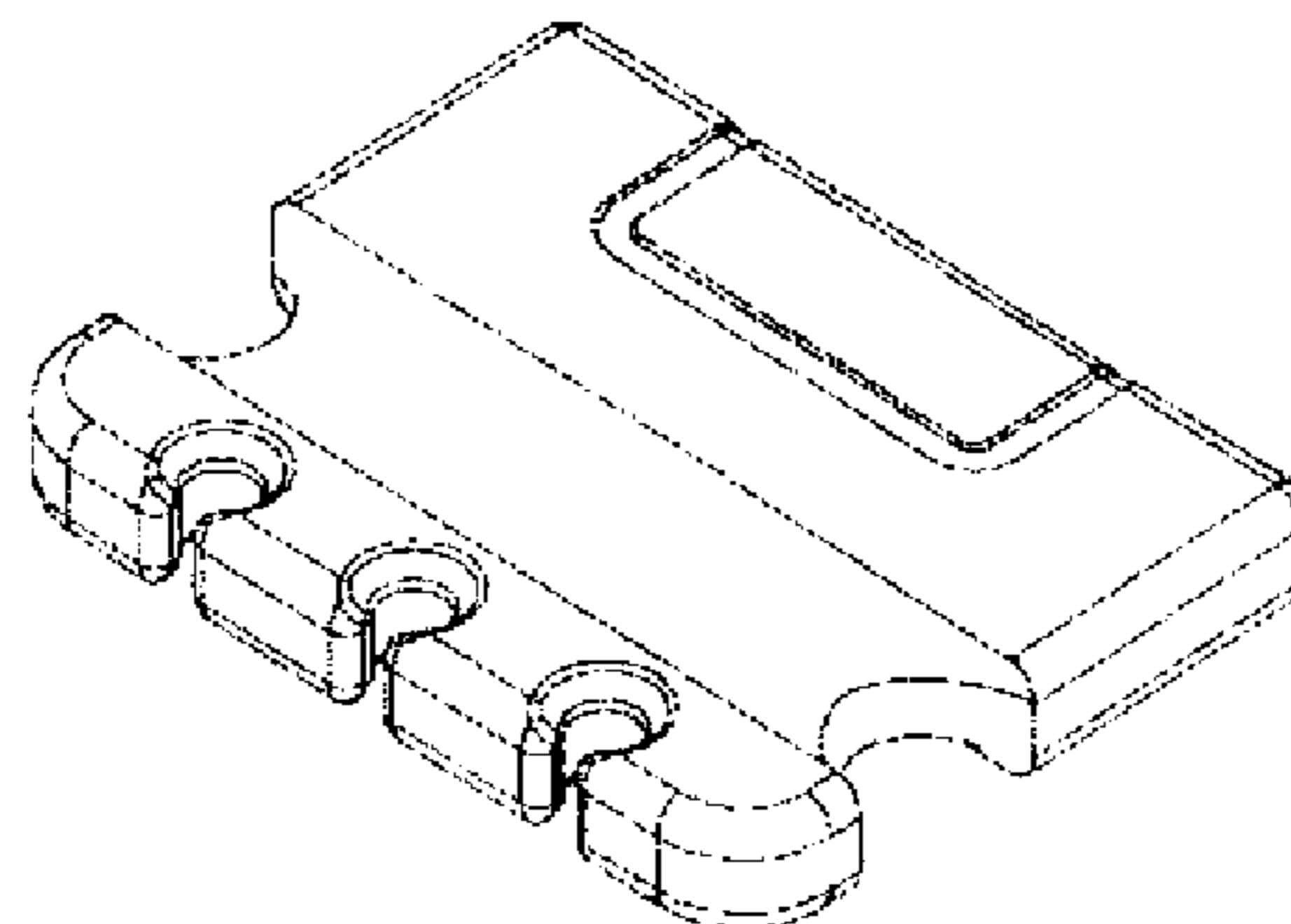
(57) **CLAIM**

The ornamental design for a cord wrap and organizer, as shown and described.

DESCRIPTION

FIG. 1 is a top-front perspective view of a cord wrap and organizer showing our new design;
 FIG. 2 is a bottom-front perspective view of the cord wrap and organizer of FIG. 1;
 FIG. 3 is a top-rear perspective view of the cord wrap and organizer of FIG. 1;
 FIG. 4 is a bottom-rear perspective view of the cord wrap and organizer of FIG. 1;
 FIG. 5 is a top plan view of the cord wrap and organizer of FIG. 1;
 FIG. 6 is a bottom plan view of the cord wrap and organizer of FIG. 1;
 FIG. 7 is a front end elevation of the cord wrap and organizer of FIG. 1;
 FIG. 8 is a rear end elevation of the cord wrap and organizer of FIG. 1;
 FIG. 9 is a left side elevation of the cord wrap and organizer of FIG. 1;
 FIG. 10 is a right side elevation of the cord wrap and organizer of FIG. 1; and,
 FIG. 11 is a perspective view of the cord wrap and organizer, shown reduced in scale in an exemplary operating environment.
 In the drawings, the broken lines depict environmental subject matter only and form no part of the claimed design.

1 Claim, 5 Drawing Sheets



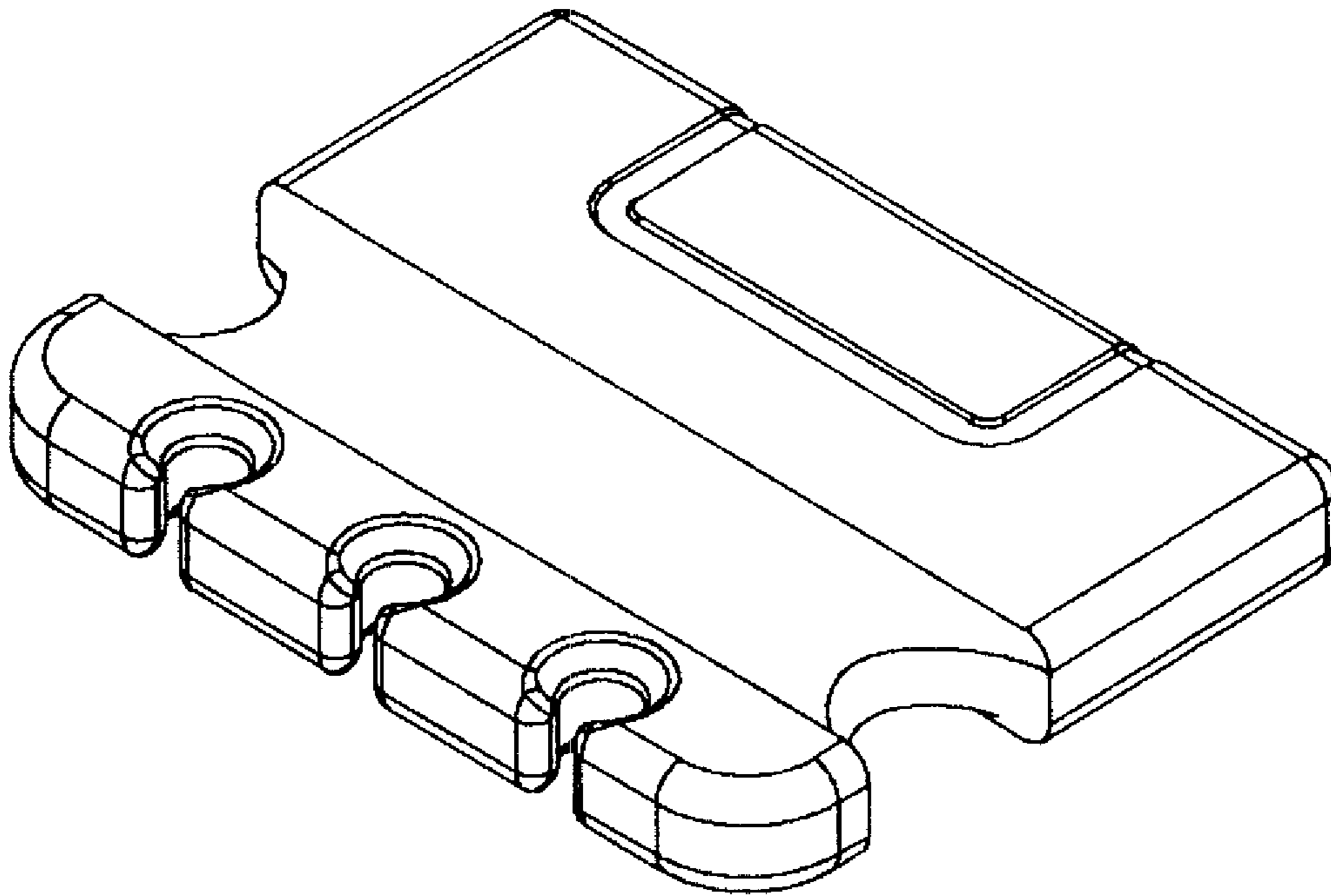


FIG. 1

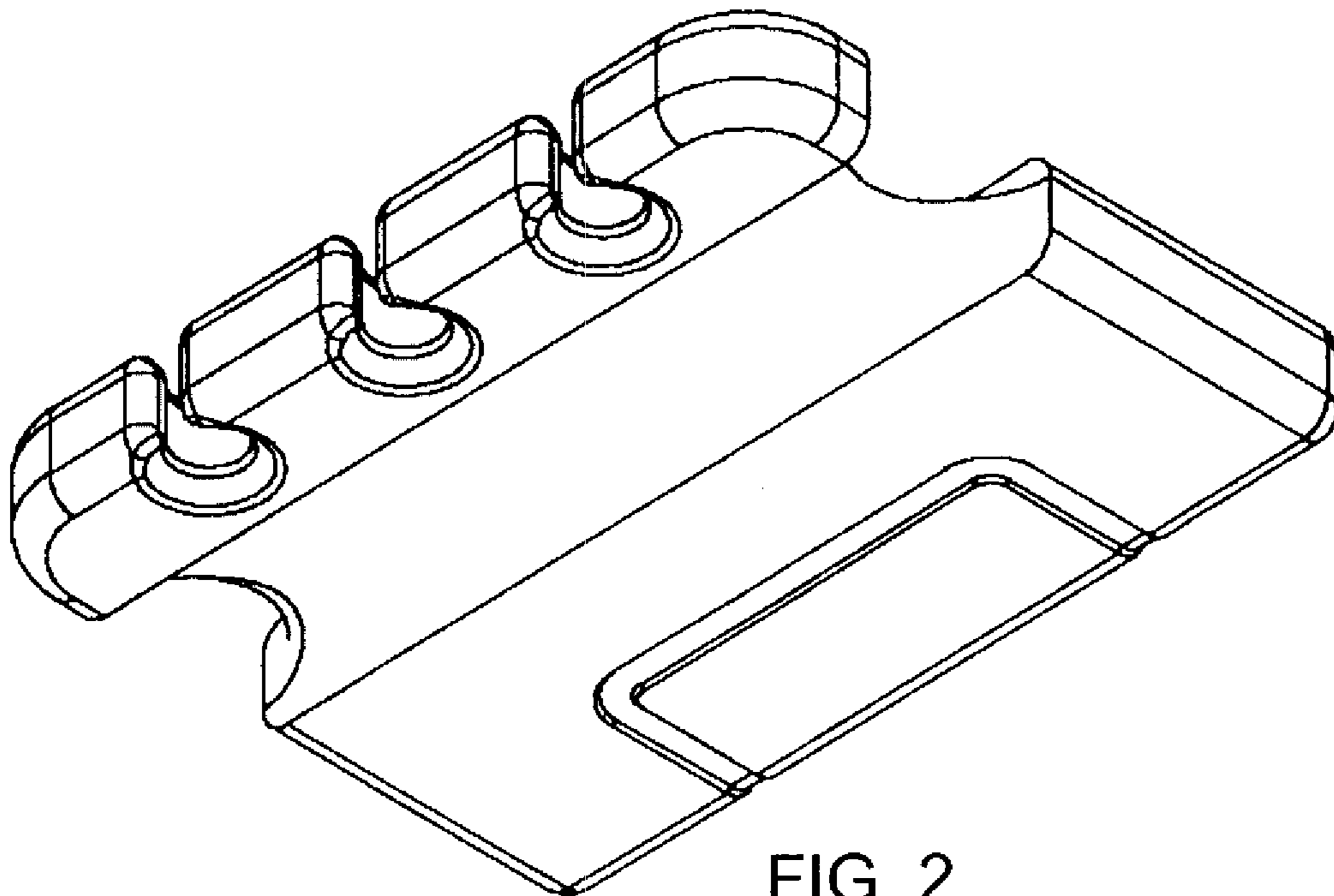


FIG. 2

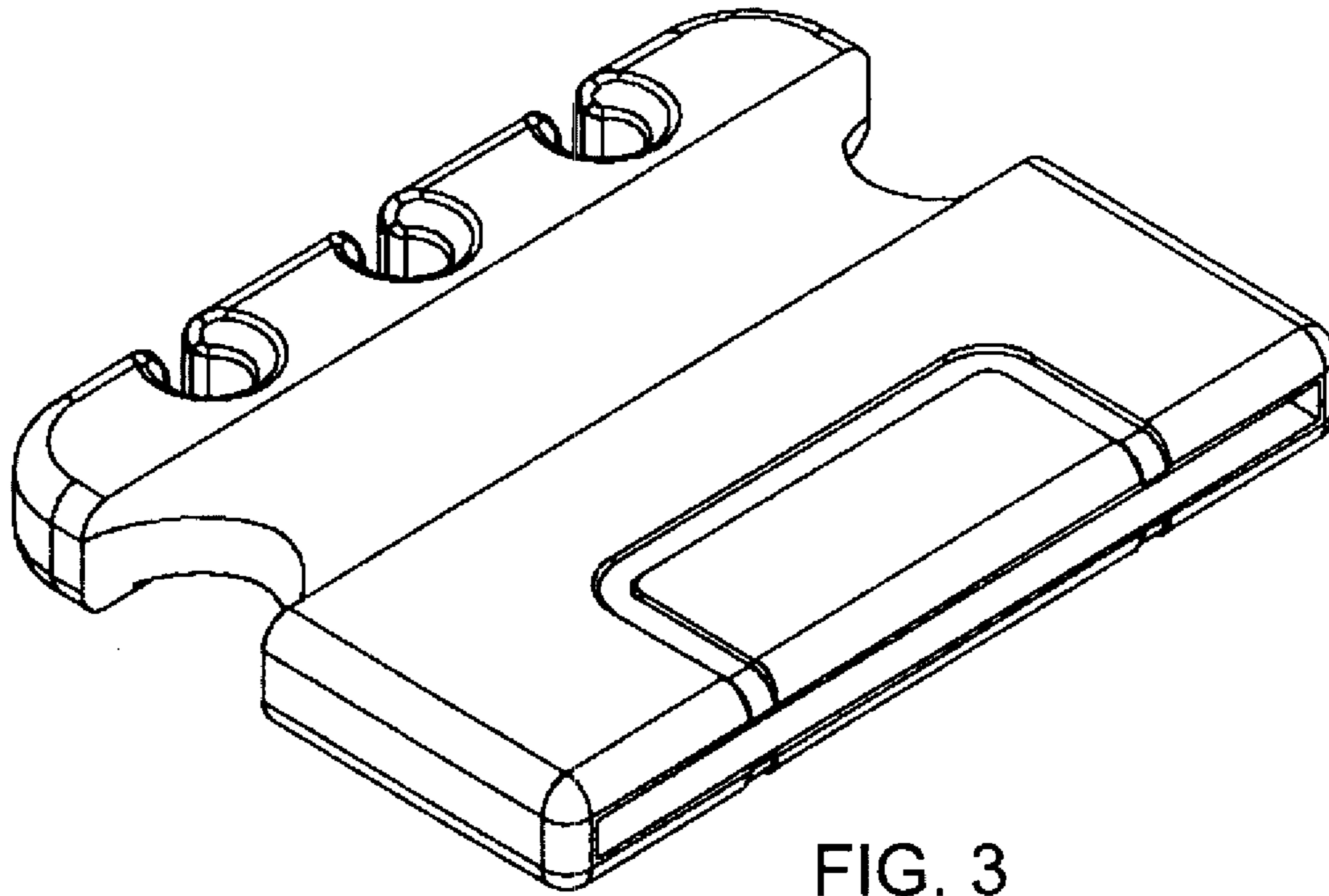


FIG. 3

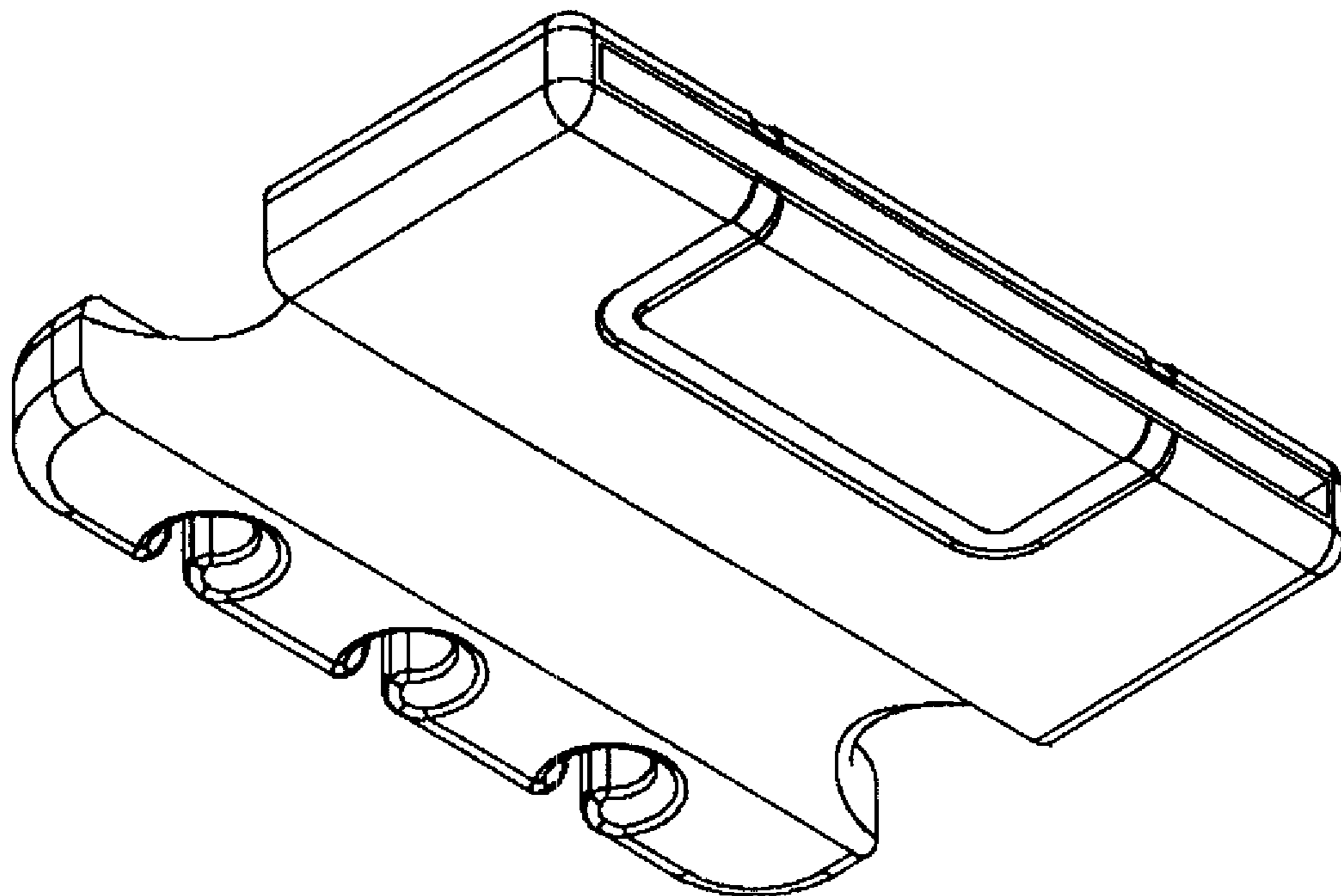


FIG. 4

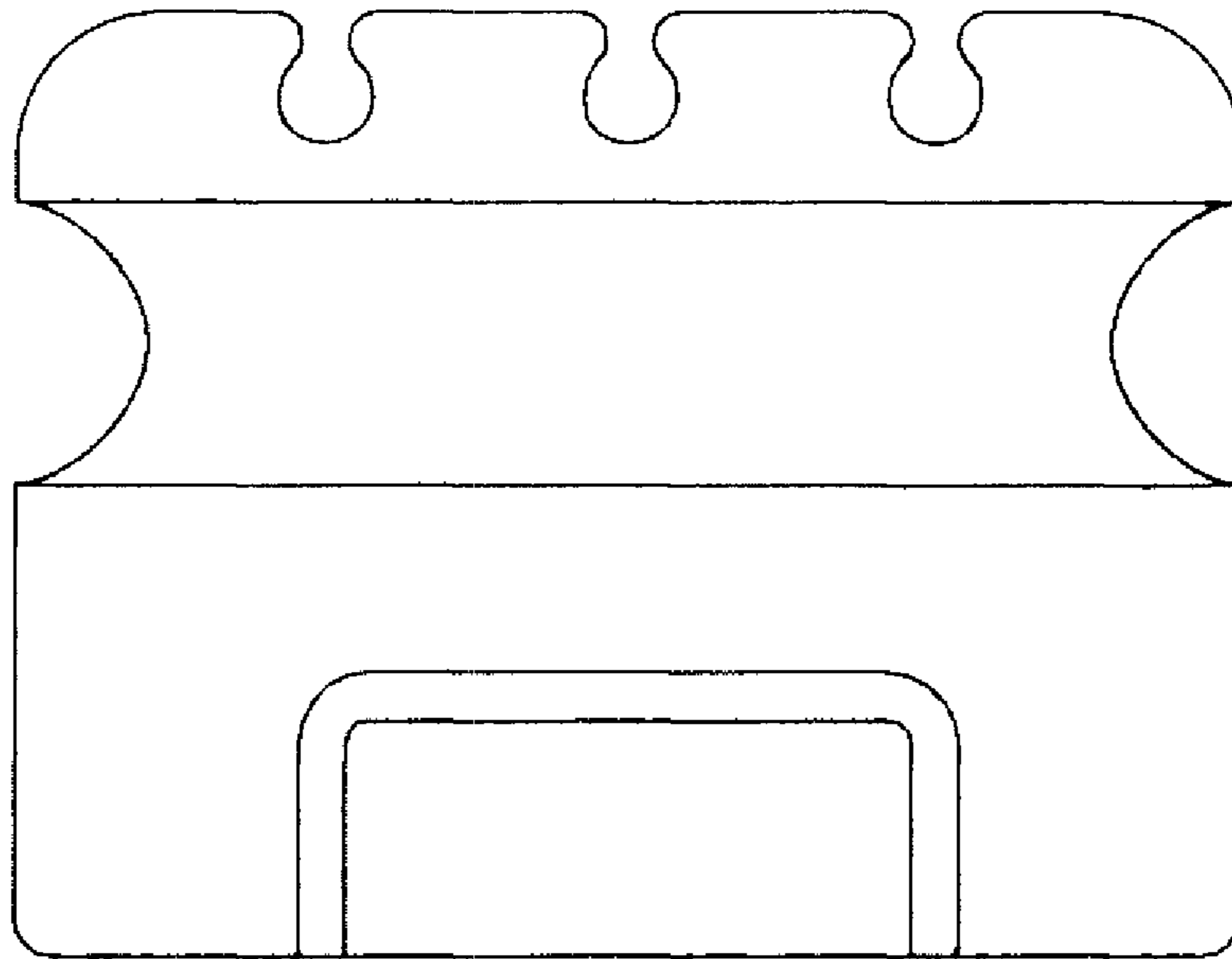


FIG. 5

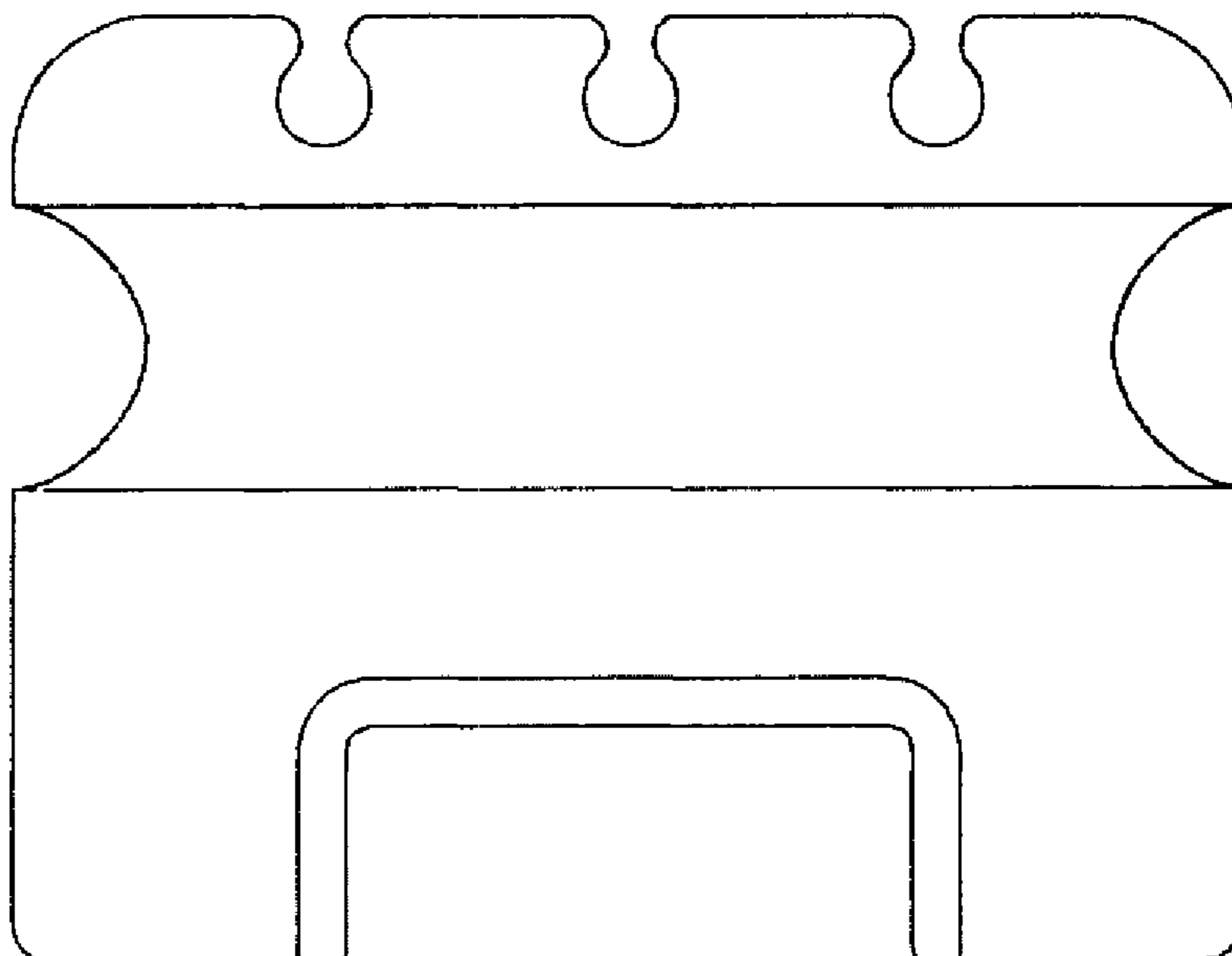


FIG. 6

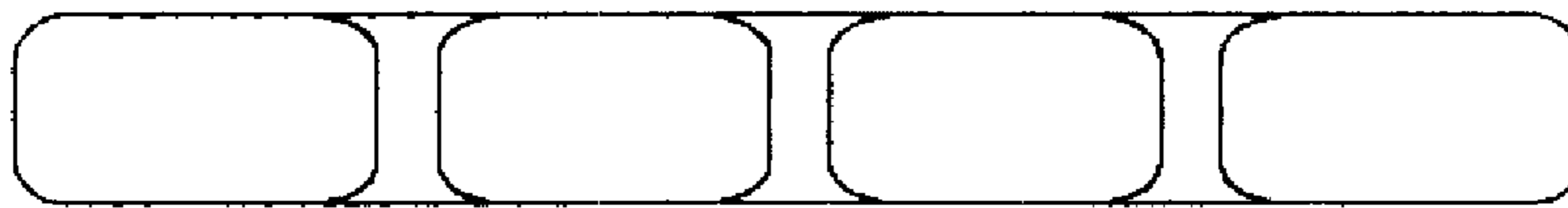


FIG. 7

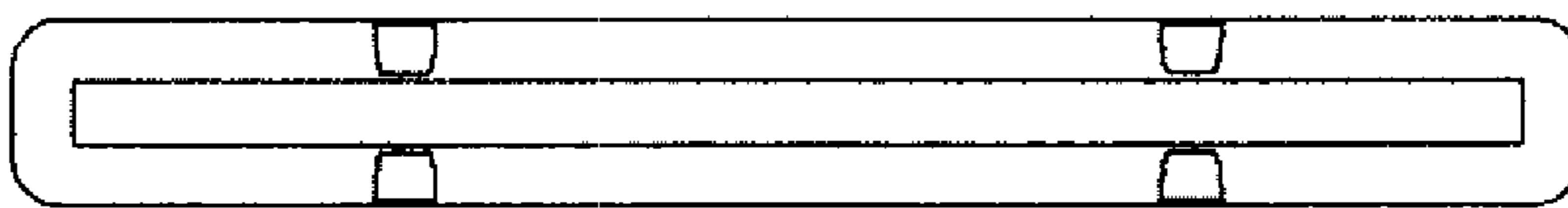


FIG. 8

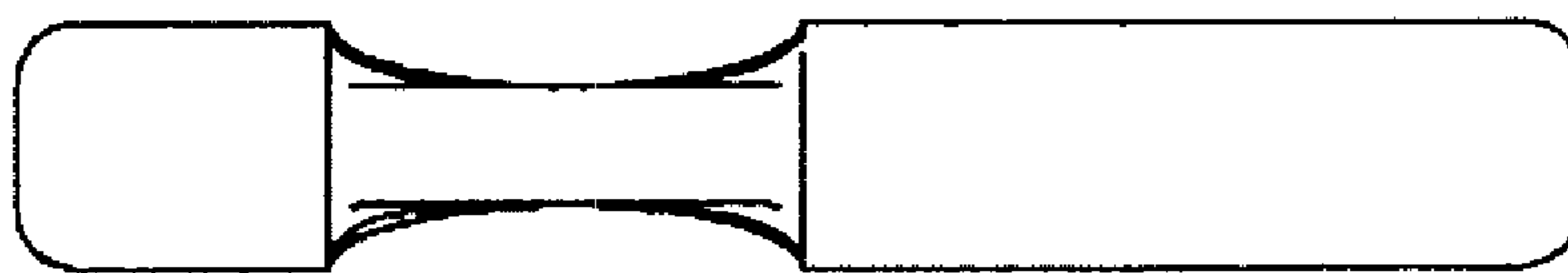


FIG. 9

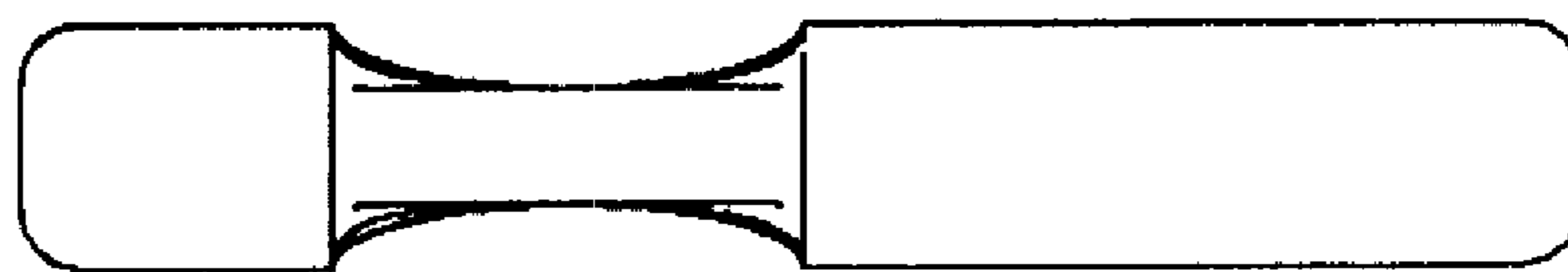


FIG. 10

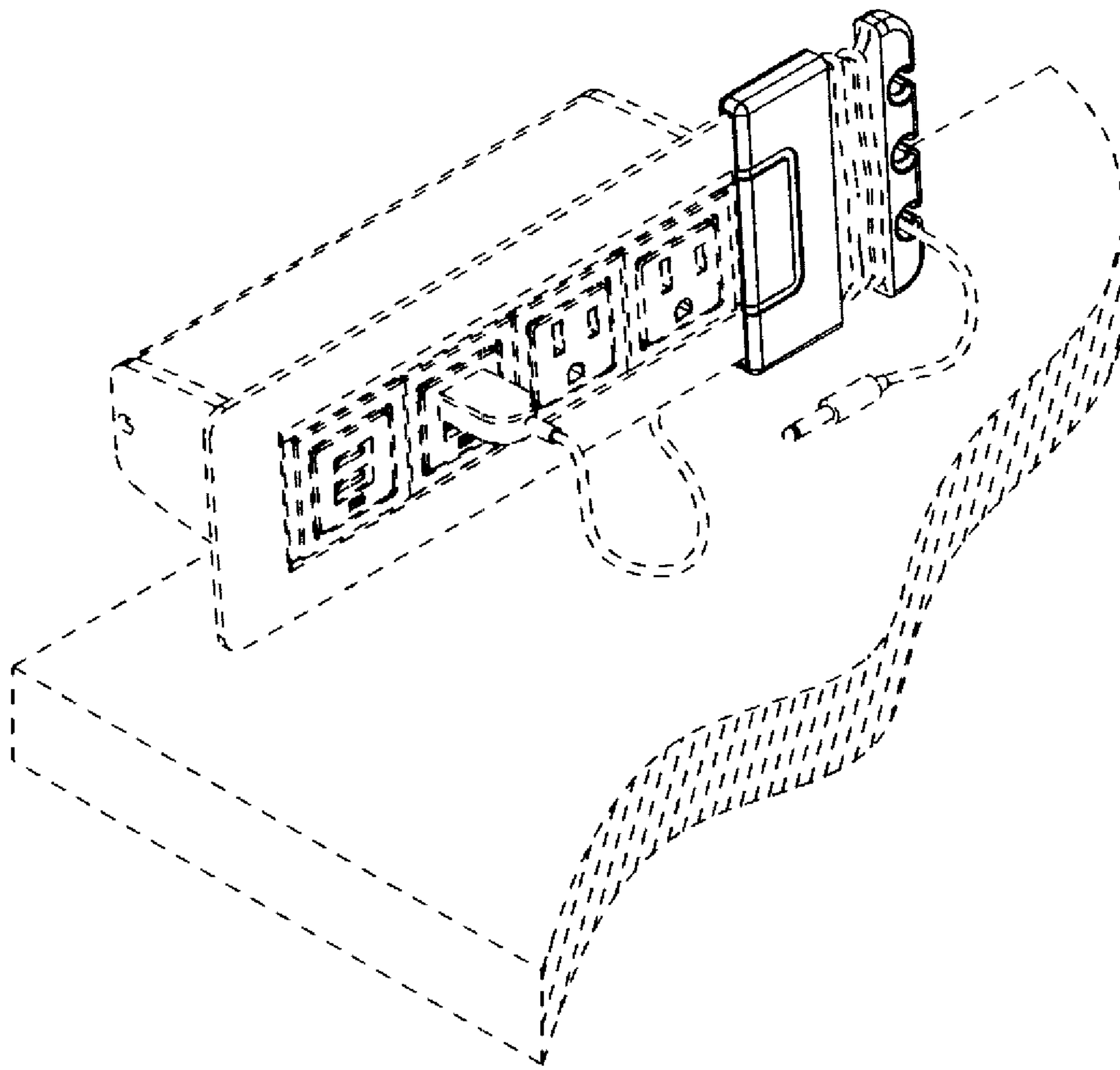


FIG. 11