



US00D727716S

(12) **United States Design Patent**
Längle

(10) **Patent No.:** **US D727,716 S**
(45) **Date of Patent:** **** Apr. 28, 2015**

- (54) **FASTENING BRACKET**
- (71) Applicant: **LangleGlas GmbH**, Götzis (AT)
- (72) Inventor: **Oswin Längle**, Götzis (AT)
- (73) Assignee: **Längleglass GmbH**, Götzis (AT)
- (**) Term: **14 Years**
- (21) Appl. No.: **29/492,984**
- (22) Filed: **Jun. 4, 2014**

D442,065 S *	5/2001	Rohde	D8/356
D461,710 S *	8/2002	Heltzer	D8/395
D470,395 S *	2/2003	Valiulis et al.	D8/373
D504,609 S *	5/2005	Ferguson	D8/380
D513,171 S *	12/2005	Richardson	D8/394
D519,543 S *	4/2006	Walker et al.	D17/9
D554,772 S *	11/2007	Bullock	D25/119
D556,016 S *	11/2007	Curtas	D8/354
D589,337 S *	3/2009	Karlsson	D8/394
D601,880 S *	10/2009	Veilleux	D8/367
D607,711 S *	1/2010	Adams et al.	D8/354
D609,553 S *	2/2010	Koizumi	D8/354
D616,276 S *	5/2010	Friegang	D8/72
D622,131 S *	8/2010	Tezak et al.	D8/349

(Continued)

(30) **Foreign Application Priority Data**

Feb. 14, 2014 (EM) 002405134-0001

(51) **LOC (10) Cl.** **08-05**

(52) **U.S. Cl.**
USPC **D8/355**

(58) **Field of Classification Search**
USPC D8/330, 349, 350, 352, 354, 355, 356,
D8/363, 367, 382, 383; 248/58, 62, 72,
248/200, 201, 205.1, 207, 214, 229, 300;
73/493, 627, 628, 632, 649; D12/185;
D17/9; D25/119; D6/85, 114, 137
See application file for complete search history.

(56) **References Cited**

U.S. PATENT DOCUMENTS

D250,897 S *	1/1979	Potts	D24/232
D257,810 S *	1/1981	Wilson	D6/556
D265,285 S *	7/1982	Englert, Jr.	D8/354
D297,112 S *	8/1988	Holdaway	D8/395
D393,998 S *	5/1998	Anderson	D8/394
D407,010 S *	3/1999	Sobczynski	D8/354
D408,266 S *	4/1999	Santiago	D8/354
D438,778 S *	3/2001	Ribe	D8/354

Primary Examiner — Karen S Acker

Assistant Examiner — Bao-Yen Nguyen

(74) *Attorney, Agent, or Firm* — Epstein Drangel LLP;
Robert L. Epstein

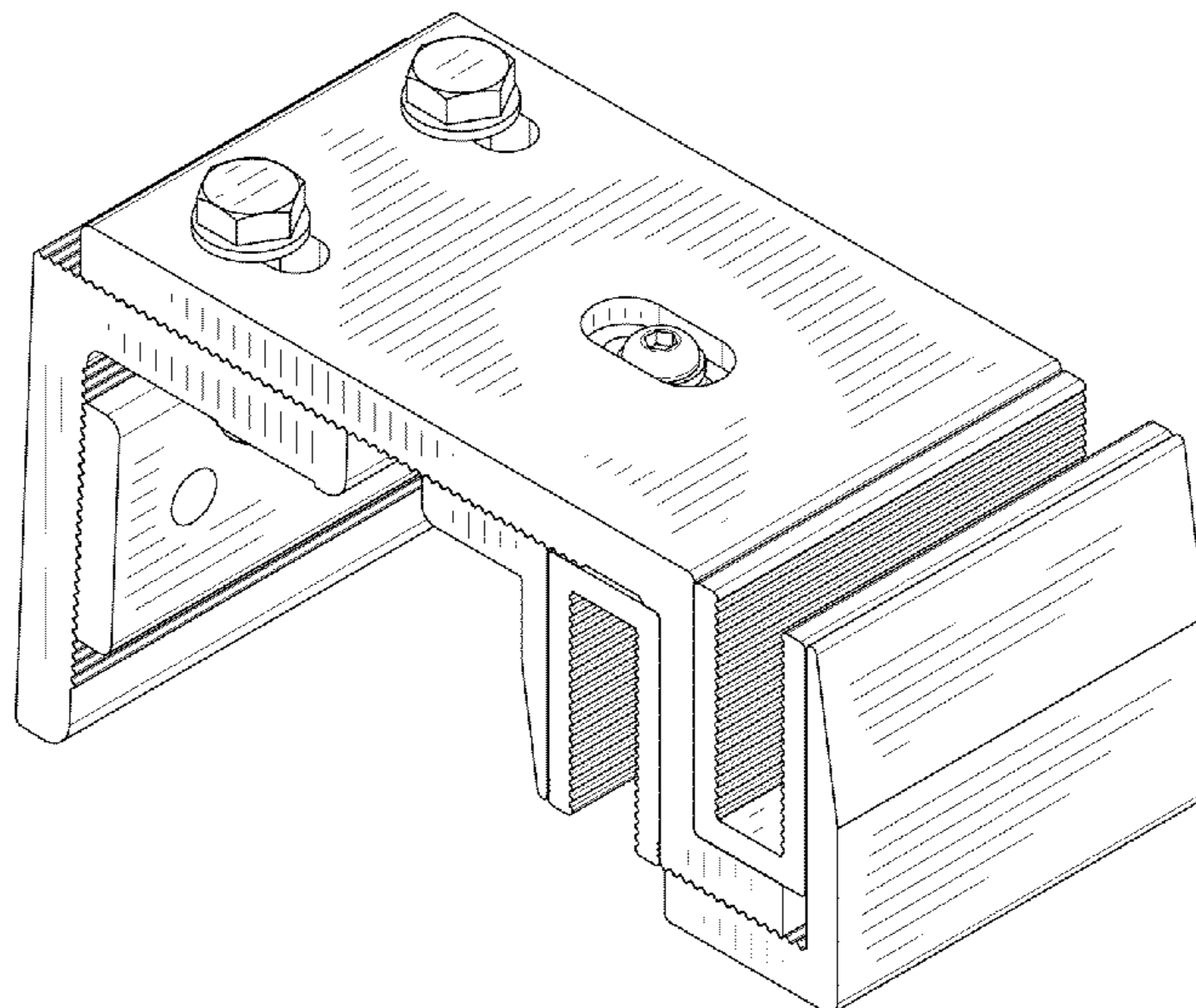
(57) **CLAIM**

The ornamental design for a fastening bracket, substantially as shown and described.

DESCRIPTION

FIG. 1 is a perspective view showing the top, front and left side of the fastening bracket according to my new design;
 FIG. 2 is a perspective view showing the bottom, front and left side of my design;
 FIG. 3 is an elevational view showing the left side of my design;
 FIG. 4 is an elevational view showing the right side of my design;
 FIG. 5 is an elevational view showing the rear of my design;
 FIG. 6 is an elevational view showing the front of my design;
 FIG. 7 is a plan view showing the top of my design; and,
 FIG. 8 is a plan view showing the bottom of my design.

1 Claim, 4 Drawing Sheets



US D727,716 S

Page 2

(56)

References Cited

U.S. PATENT DOCUMENTS

D643,281 S * 8/2011 Roberts D8/394
D660,133 S * 5/2012 Yoder et al. D8/354
D666,894 S * 9/2012 Bombino et al. D8/354

D687,698 S * 8/2013 Machijima et al. D8/354
D695,091 S * 12/2013 Nunez Farfan D8/354
D695,173 S * 12/2013 Sperry D12/185
D695,592 S * 12/2013 White D8/354
D702,532 S * 4/2014 Garrido et al. D8/354

* cited by examiner

FIG. 1

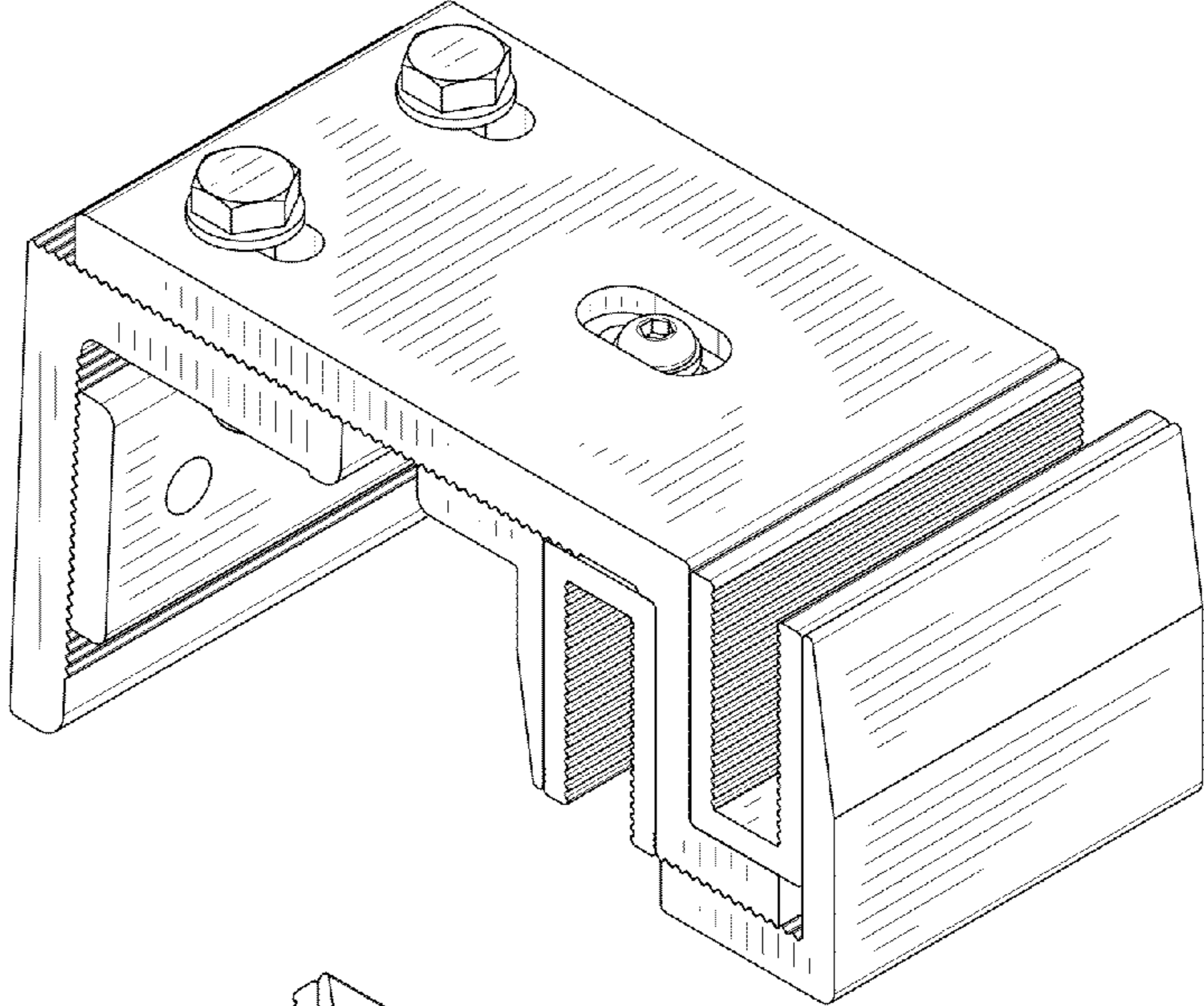
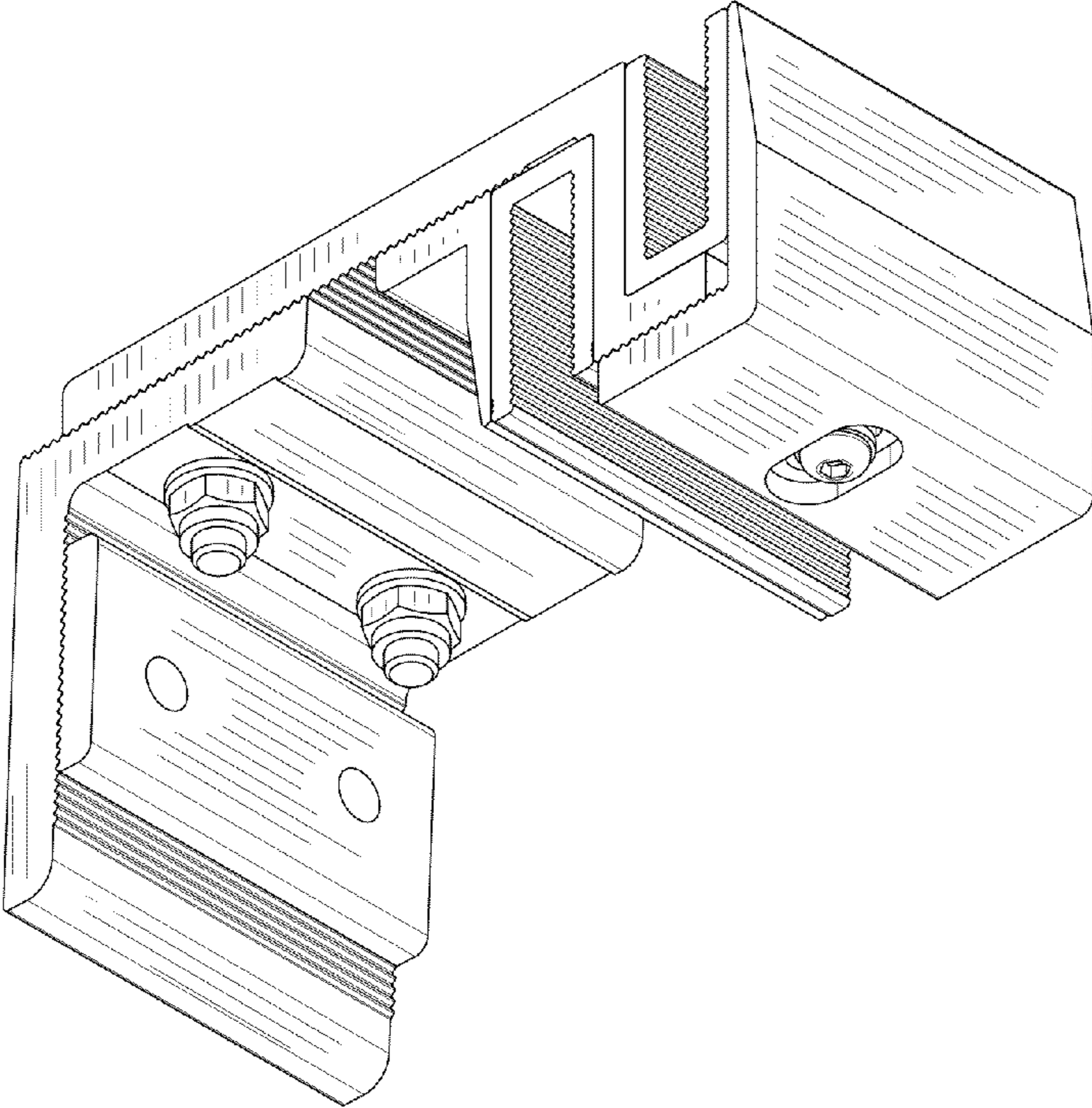


FIG. 2



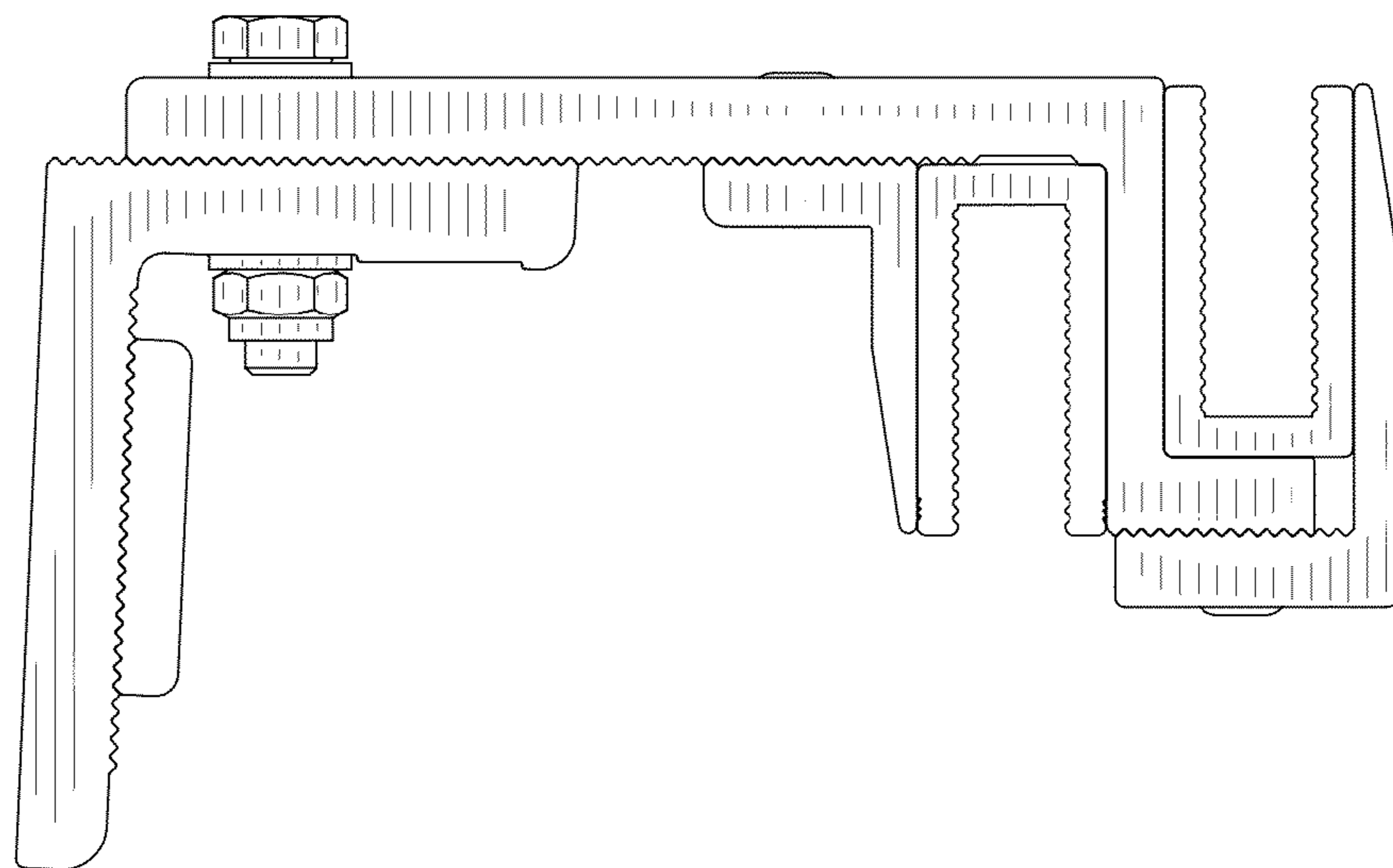


FIG. 3

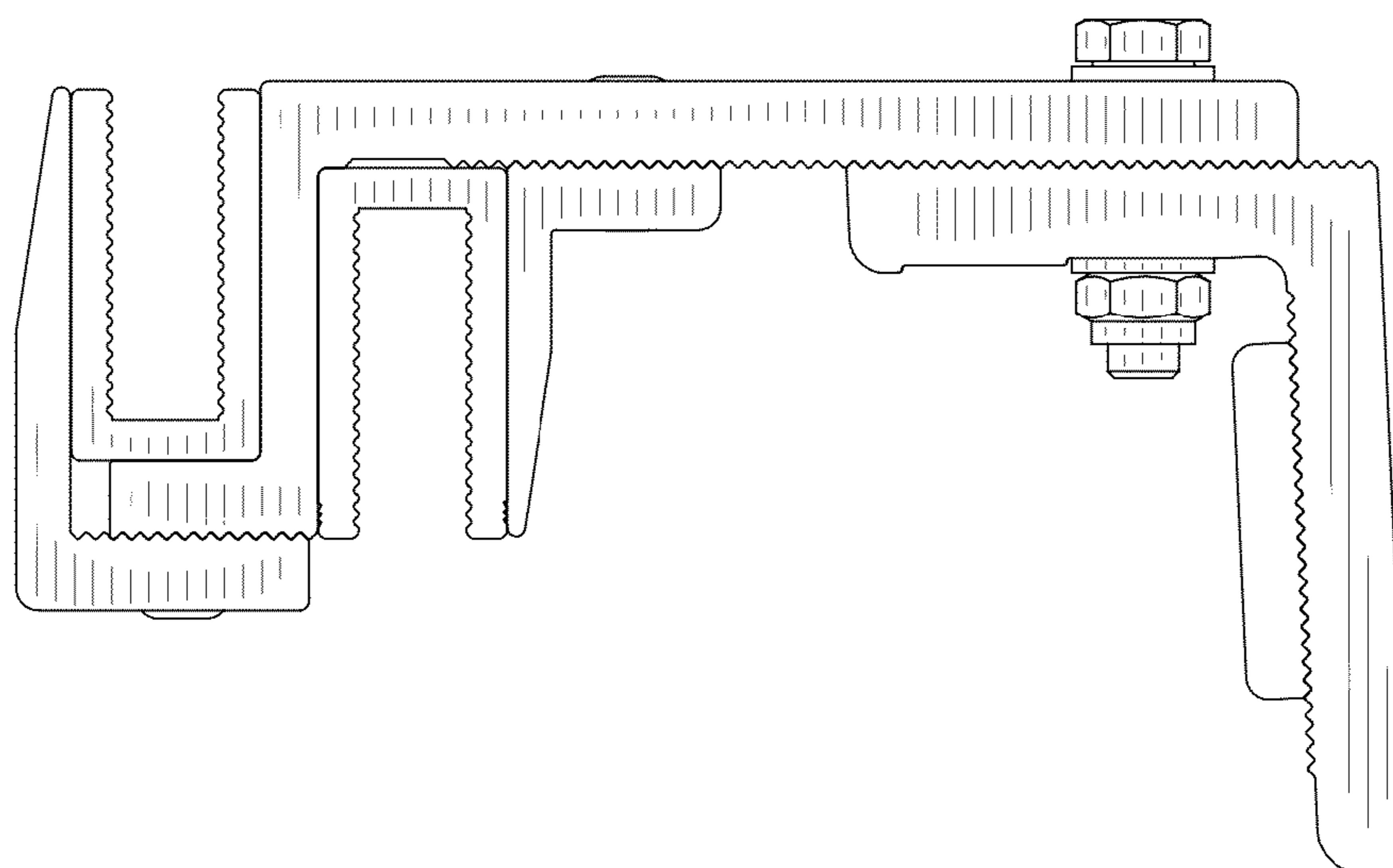


FIG. 4

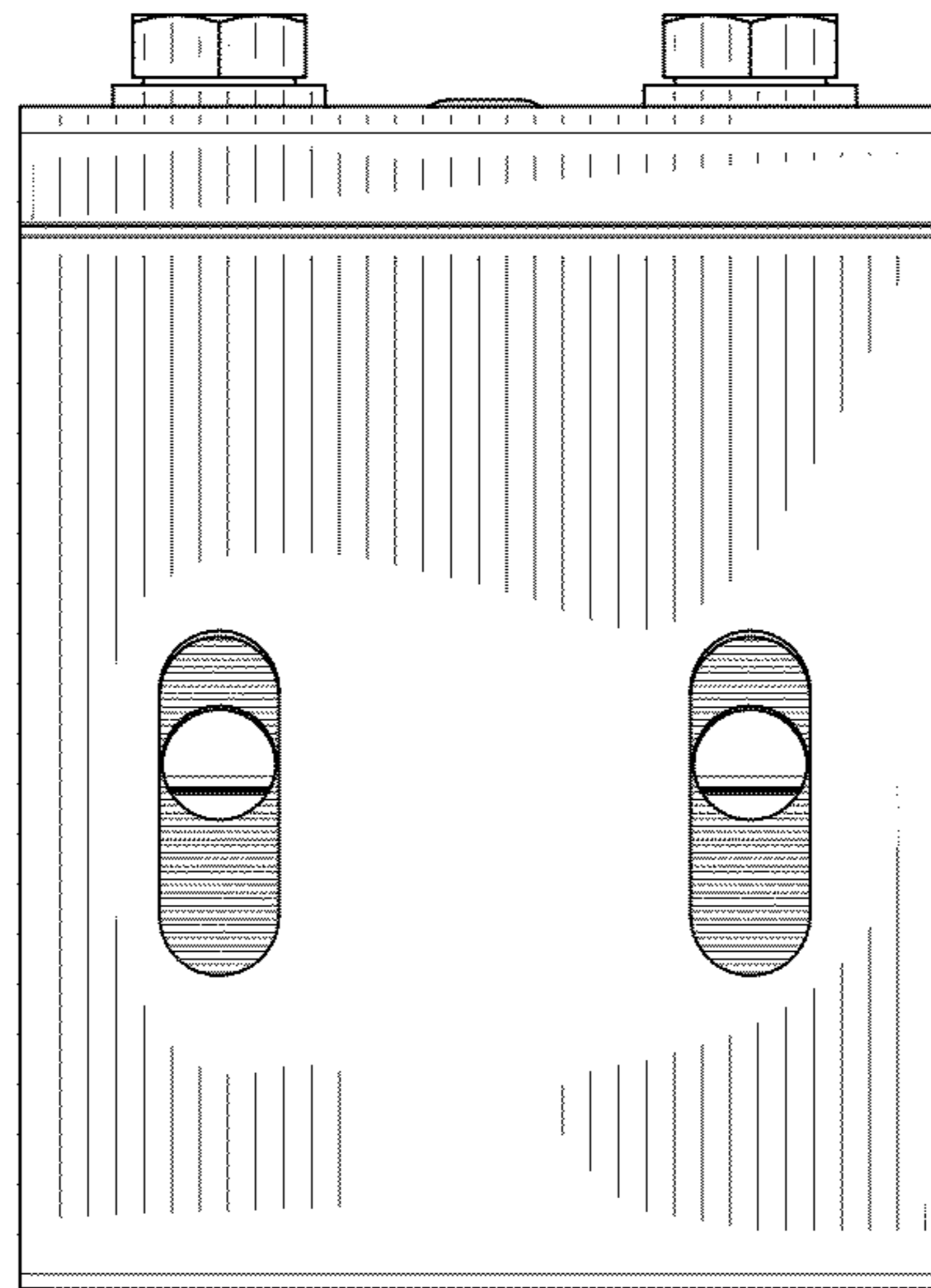


FIG. 5

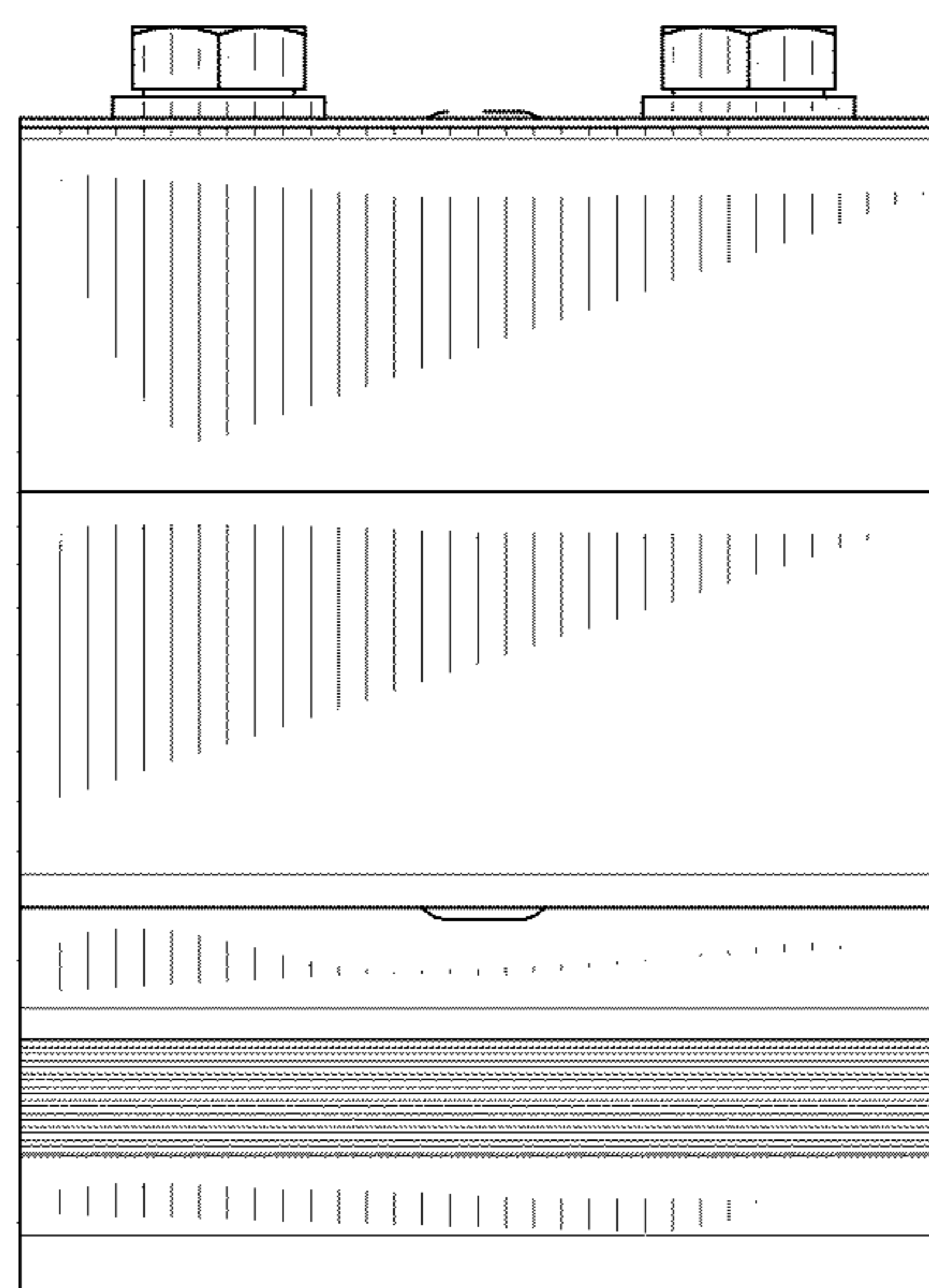


FIG. 6

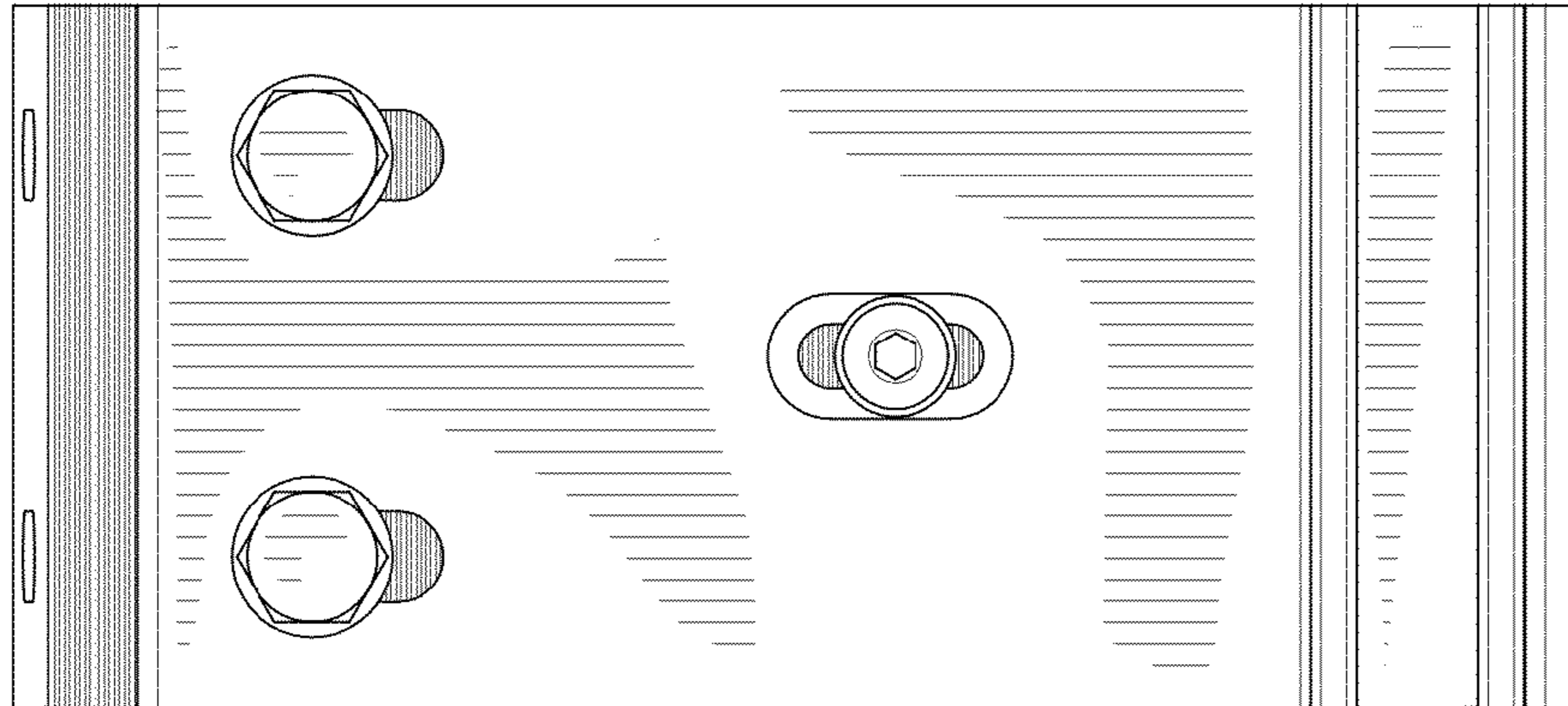


FIG. 7

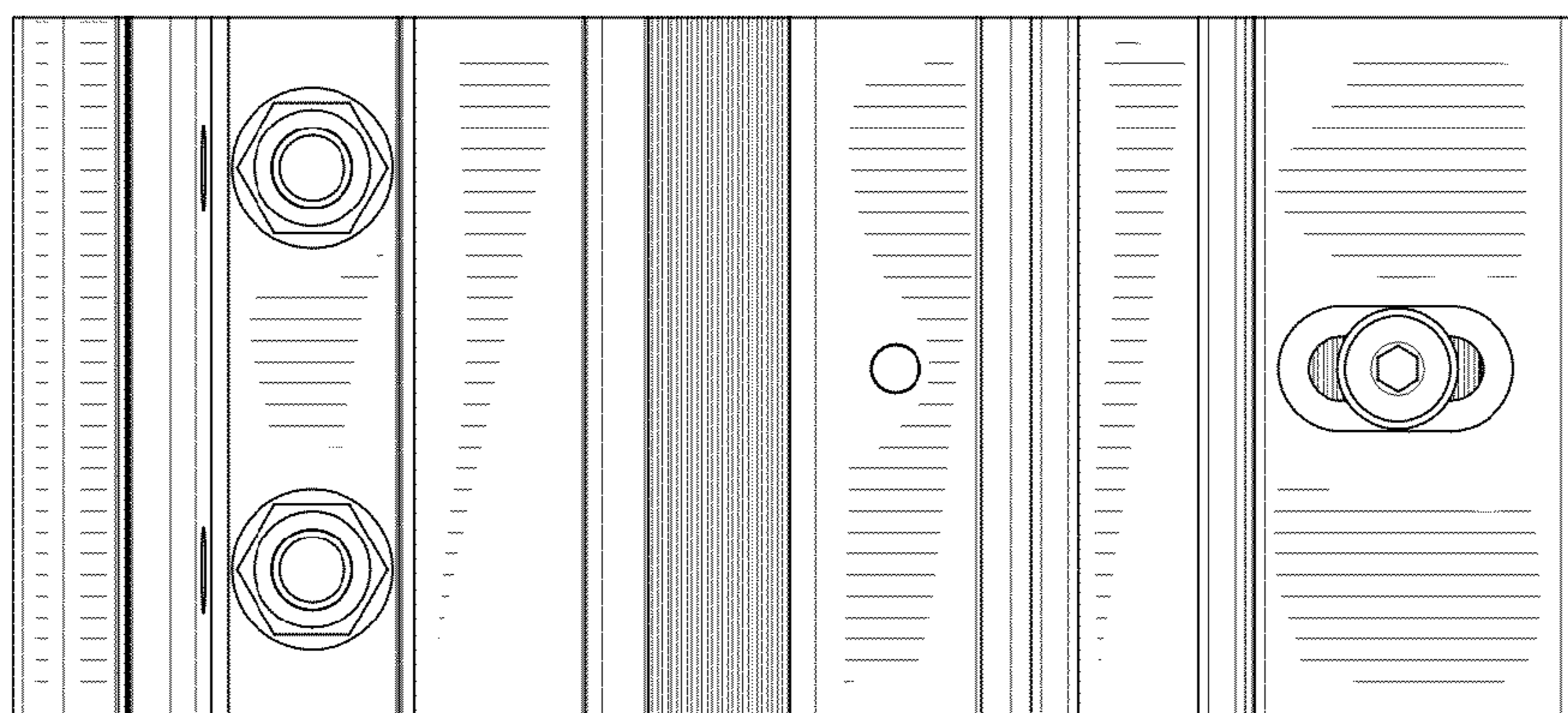


FIG. 8