



US00D727715S

(12) **United States Design Patent**
Munson

(10) **Patent No.:** **US D727,715 S**

(45) **Date of Patent:** **** Apr. 28, 2015**

(54) **POST CONNECTOR**

(71) Applicant: **Jeff Munson**, Laguna Niguel, CA (US)

(72) Inventor: **Jeff Munson**, Laguna Niguel, CA (US)

(73) Assignee: **Cambro Manufacturing Company**,
Huntington Beach, CA (US)

(**) Term: **14 Years**

(21) Appl. No.: **29/443,291**

(22) Filed: **Jan. 15, 2013**

(51) **LOC (10) Cl.** **08-05**

(52) **U.S. Cl.**
USPC **D8/354; D8/381**

(58) **Field of Classification Search**
USPC D8/381, 380, 373, 371, 366, 363, 354,
D8/349; D6/572, 567, 553, 512, 491, 466,
D6/449, 418, 407; 52/11, 12; 248/917,
248/629, 309.1, 300, 261, 250, 245, 239,
248/235, 200

See application file for complete search history.

(56) **References Cited**

U.S. PATENT DOCUMENTS

D402,879 S * 12/1998 Beard, Jr. D8/354
D419,859 S * 2/2000 Marsh D8/381

D457,052 S * 5/2002 Snyder D8/349
D469,338 S * 1/2003 Chace D8/349
D473,661 S * 4/2003 Kim D25/60
D498,664 S * 11/2004 Gates D8/381
D523,327 S * 6/2006 Clarke D8/380
D616,735 S * 6/2010 Shaw et al. D8/382
D628,055 S * 11/2010 Mills D8/382
D697,391 S * 1/2014 Le D8/382

* cited by examiner

Primary Examiner — Mark Goodwin

(74) *Attorney, Agent, or Firm* — George F. Bethel

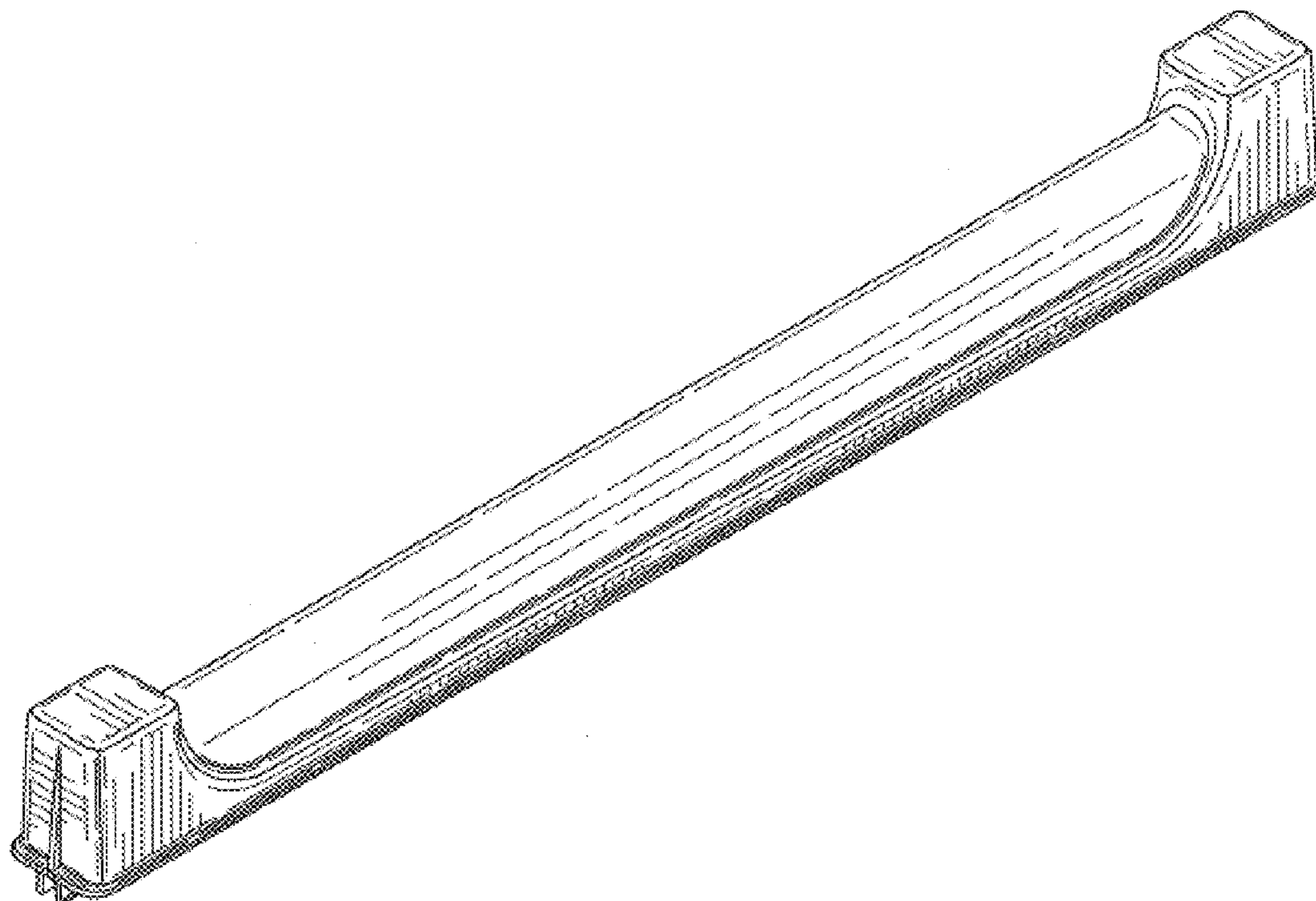
(57) **CLAIM**

I claim the ornamental design for a post connector, as shown and described.

DESCRIPTION

FIG. 1 is a top right front perspective view of a post connector showing my new design;
FIG. 2 is a front elevation view thereof;
FIG. 3 is a right side view thereof, the left side view being a mirror image thereof;
FIG. 4 is a top plan view thereof;
FIG. 5 is a bottom plan view thereof;
FIG. 6 is a bottom perspective view thereof; and,
FIG. 7 is a reduced top right front perspective view thereof shown in use condition, the two posts shown in broken lines form no part of the claimed design.

1 Claim, 4 Drawing Sheets



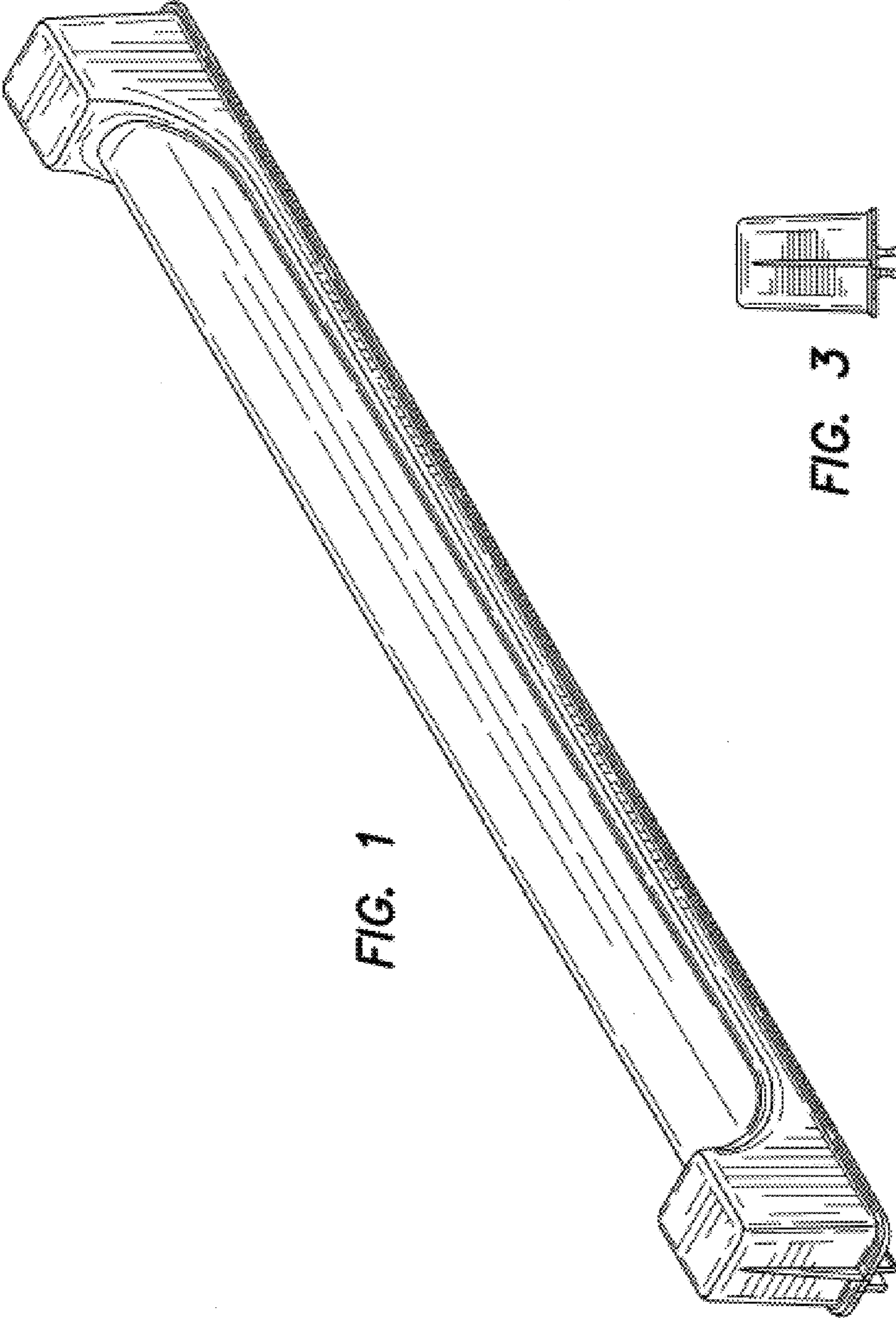


FIG. 1

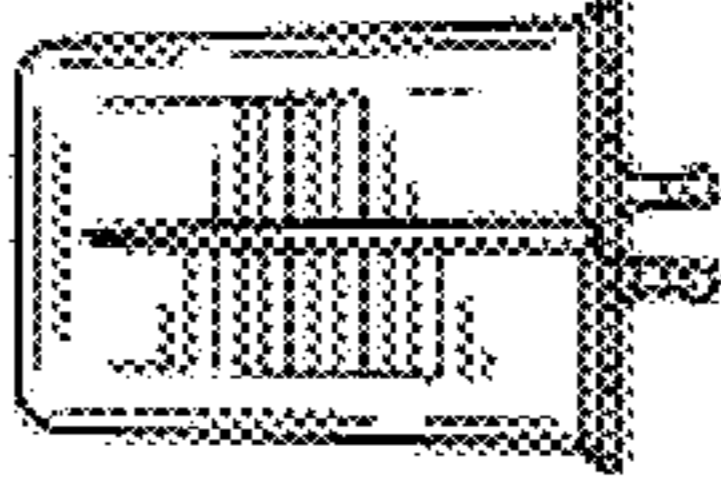


FIG. 3

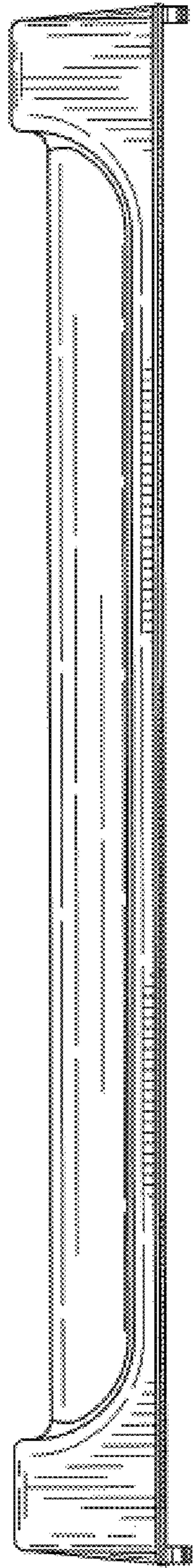


FIG. 2

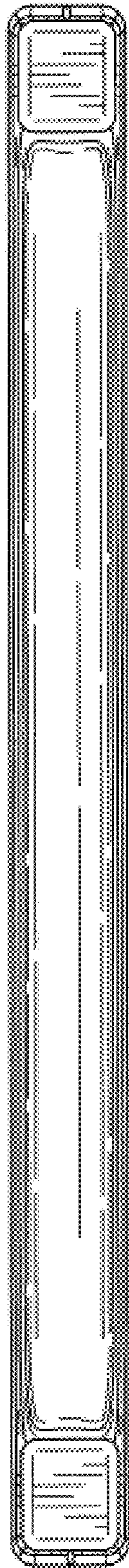


FIG. 4

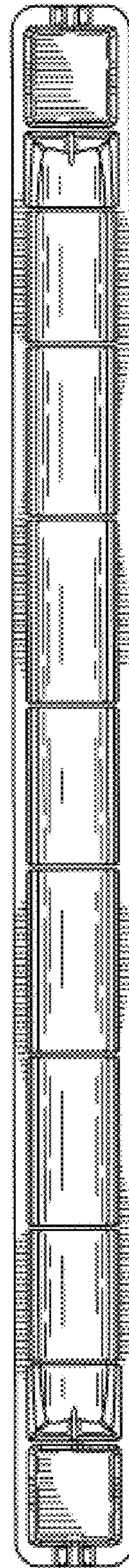


FIG. 5

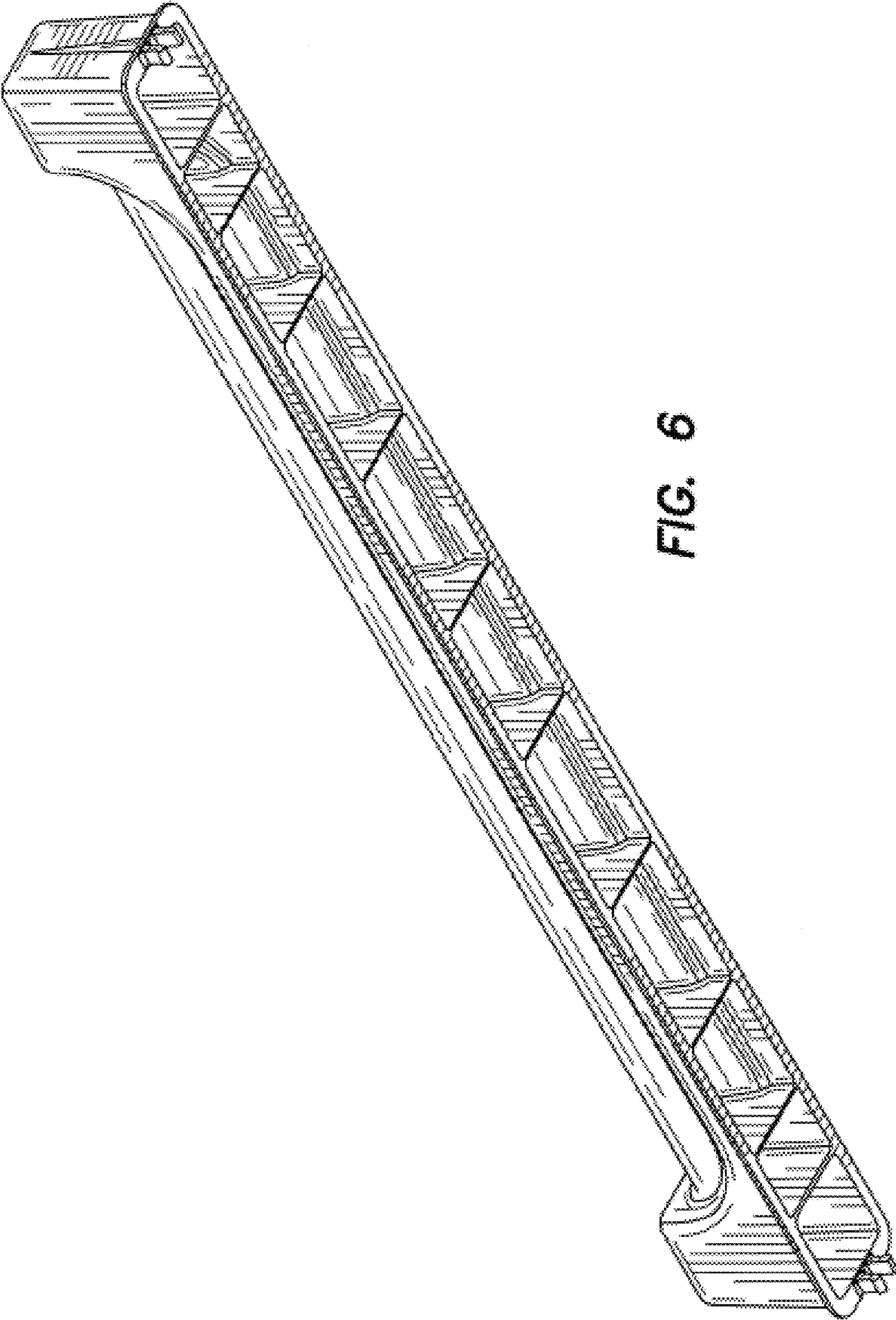


FIG. 6

