



US00D727713S

(12) **United States Design Patent**
Greene et al.

(10) **Patent No.:** **US D727,713 S**
(45) **Date of Patent:** **** Apr. 28, 2015**

- (54) **CLIP FOR AN ANIMAL HOUSING**
- (71) Applicant: **Mid-West Metal Products Co., Inc.**,
Muncie, IN (US)
- (72) Inventors: **Michael E. Greene**, Muncie, IN (US);
Terrance L. Jones, Muncie, IN (US);
Stew Kerr, Muncie, IN (US); **John**
Douglas Campbell, Muncie, IN (US)
- (73) Assignee: **Mid-West Metal Products Co., Inc.**,
Muncie, IN (US)
- (**) Term: **14 Years**
- (21) Appl. No.: **29/468,345**
- (22) Filed: **Sep. 30, 2013**
- (51) **LOC (10) Cl.** **08-07**
- (52) **U.S. Cl.**
USPC **D8/331; D30/119**
- (58) **Field of Classification Search**
USPC D30/108–109, 112–117, 119; D8/331,
D8/339, 394–395; 119/452–453, 459, 467,
119/473–475, 481, 484–485, 501, 537, 700,
119/702–704, 706–707, 843, 847, 461–462,
119/480, 482, 498; 292/74, 101, 106, 120,
292/128, 145, 150, 175, 277, 302
See application file for complete search history.

D89,923	S	*	5/1933	Robison	D30/119
2,320,067	A	*	5/1943	Caughren	224/248
D218,874	S	*	9/1970	Whittaker	D8/395
4,781,147	A	*	11/1988	Delino, Jr.	119/453
5,373,810	A	*	12/1994	Martin	119/459
D374,345	S	*	10/1996	Ostrosky et al.	D3/221
D384,443	S	*	9/1997	Olfert	D30/119
5,996,955	A	*	12/1999	Chen	248/302
6,230,655	B1	*	5/2001	Cohen et al.	119/459
6,883,463	B2	*	4/2005	Link	119/474
D552,980	S	*	10/2007	Svedberg	D8/395
8,141,517	B2	*	3/2012	Shimoda et al.	119/473
D673,737	S	*	1/2013	Cantwell et al.	D30/114
D695,588	S	*	12/2013	Cantwell et al.	D8/331
D697,273	S	*	1/2014	Cantwell et al.	D30/119
D697,675	S	*	1/2014	Cheng-Lung et al.	D30/114
D706,617	S	*	6/2014	Hendricks	D8/394

* cited by examiner

Primary Examiner — Cathy A MacCormac
(74) *Attorney, Agent, or Firm* — Taft Stettinius & Hollister,
LLP; Stephen F. Rost

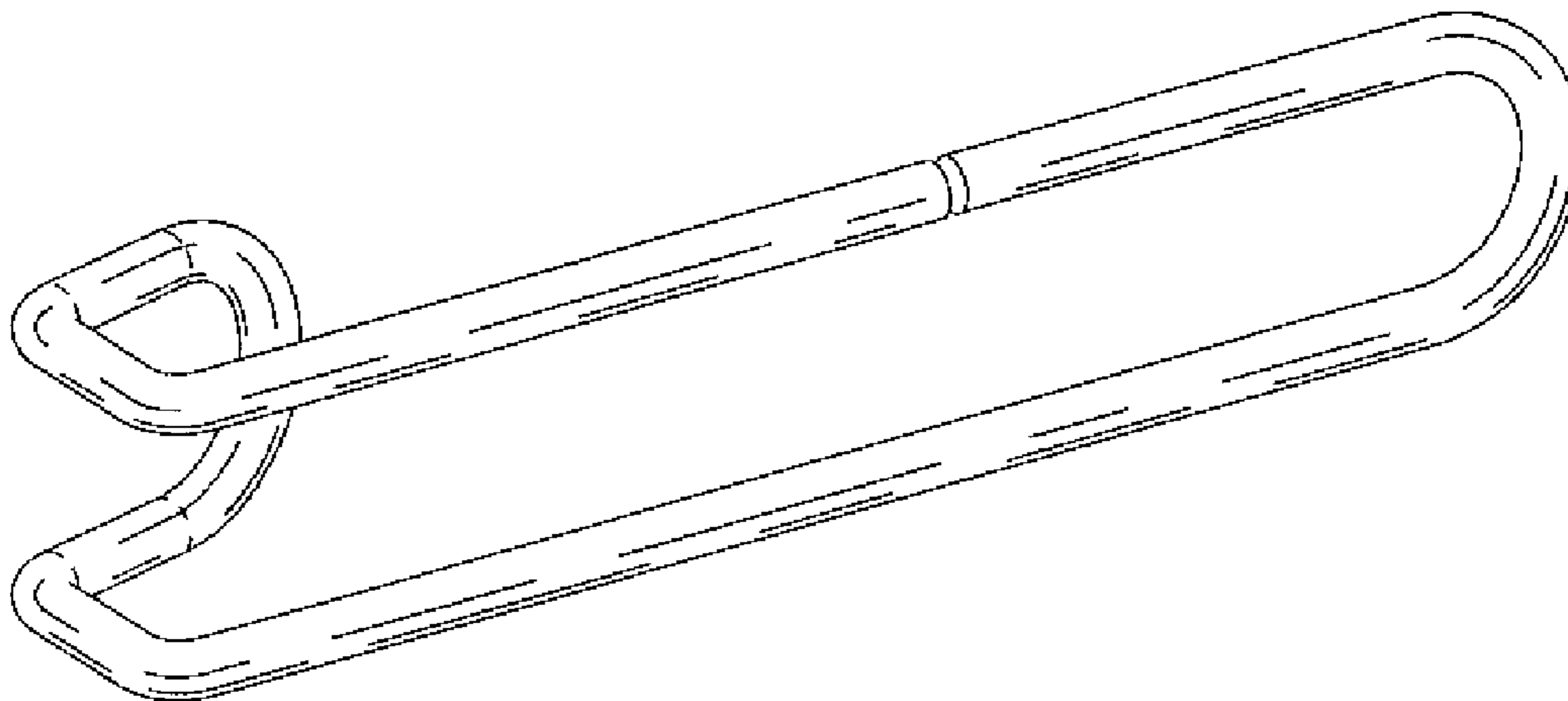
(57) **CLAIM**
The ornamental design for a clip for an animal housing, as
shown and described.

DESCRIPTION

FIG. 1 is a perspective view of the clip for an animal housing
that illustrates the novel design;
FIG. 2 is a front view thereof;
FIG. 3 is a left side elevational view thereof;
FIG. 4 is a right side elevational view thereof;
FIG. 5 is a top view thereof;
FIG. 6 is a bottom view thereof; and,
FIG. 7 is a back view thereof.

1 Claim, 2 Drawing Sheets

- (56) **References Cited**
U.S. PATENT DOCUMENTS
D26,541 S * 1/1897 Covert D8/395
1,469,595 A * 10/1923 Hick D8/394
1,894,895 A * 1/1933 Steele et al. 248/72



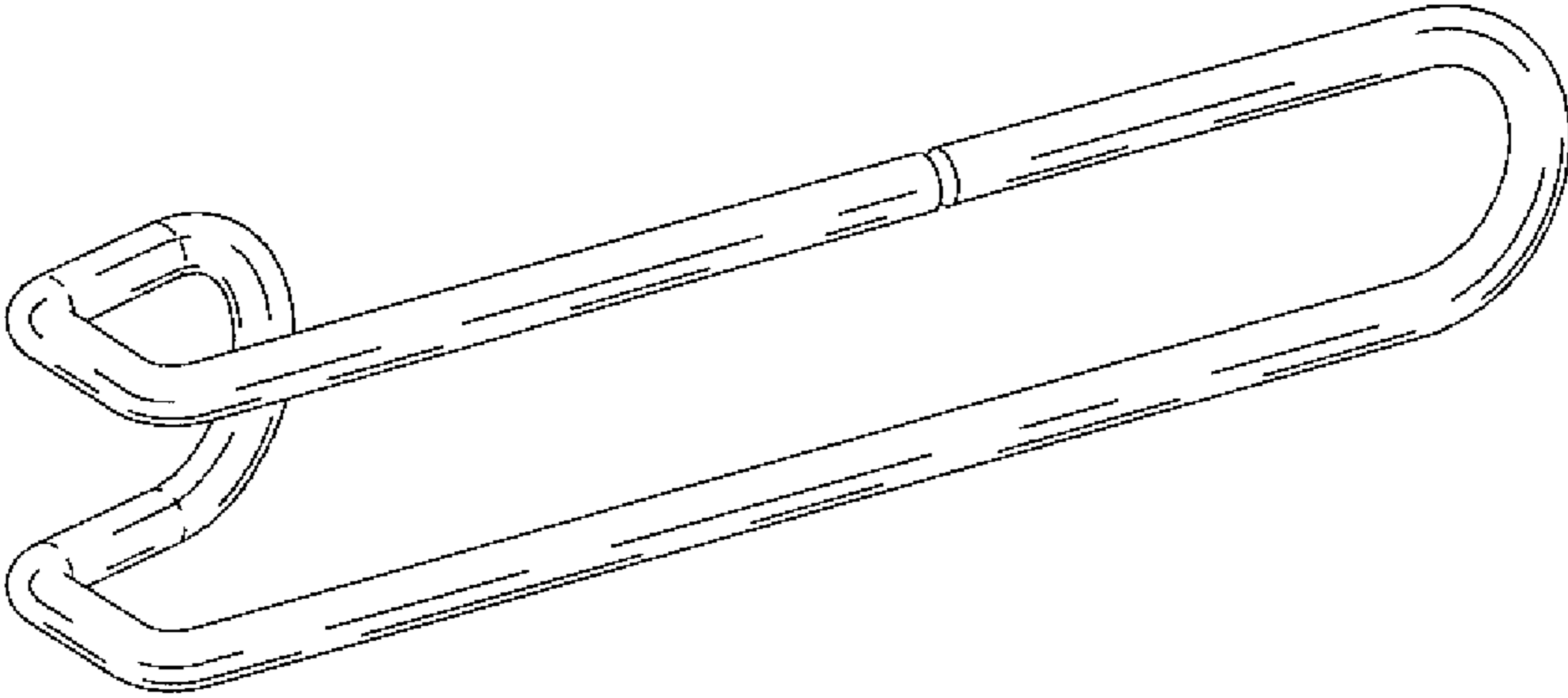


FIG. 1

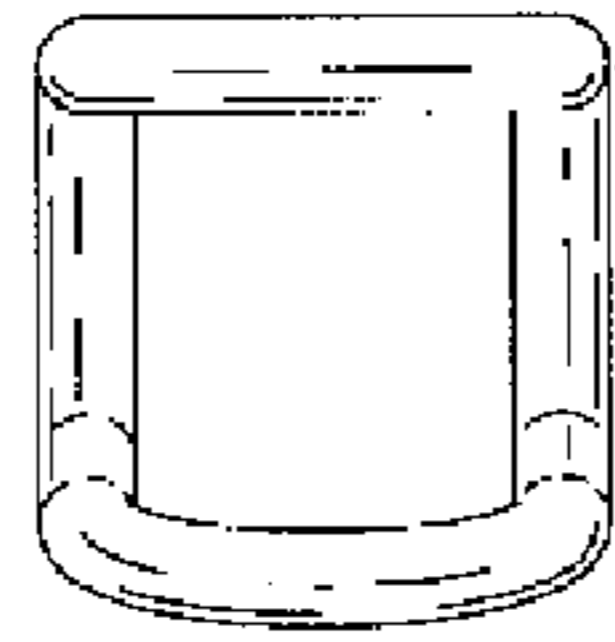


FIG. 5

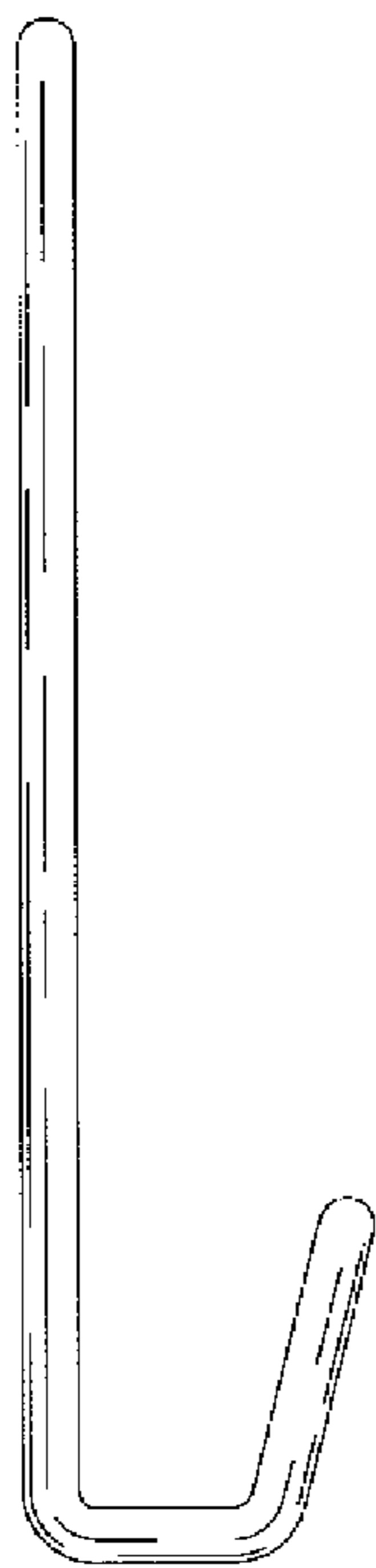


FIG. 3

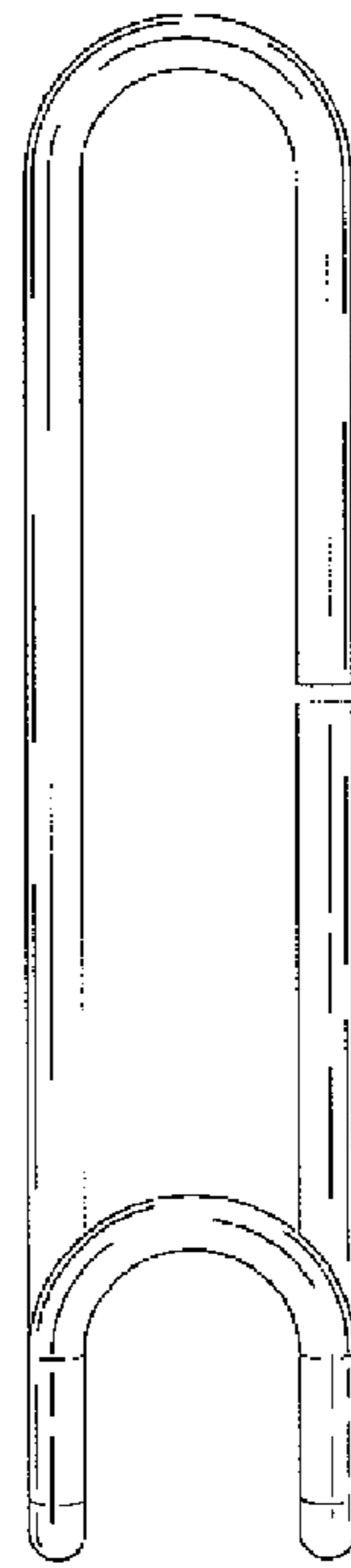


FIG. 2

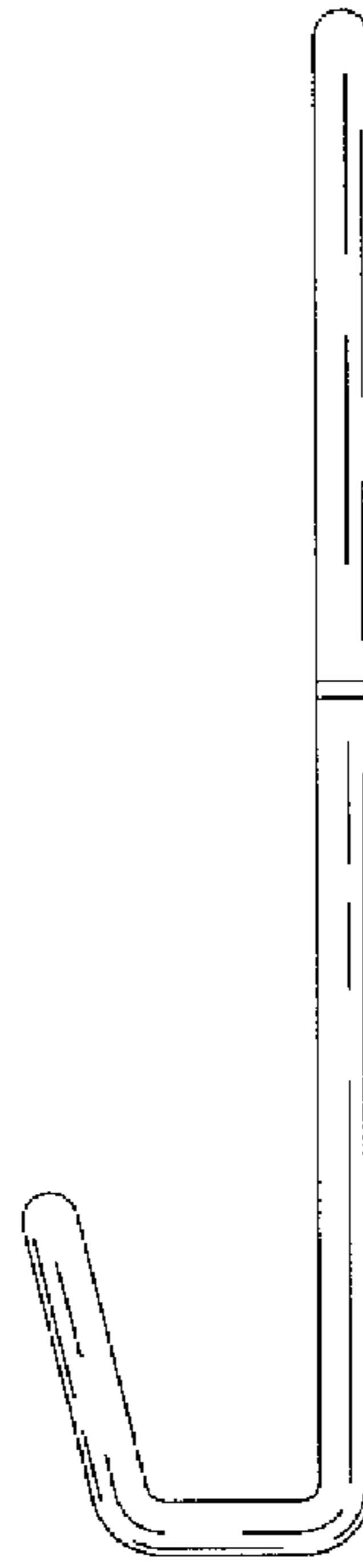


FIG. 4

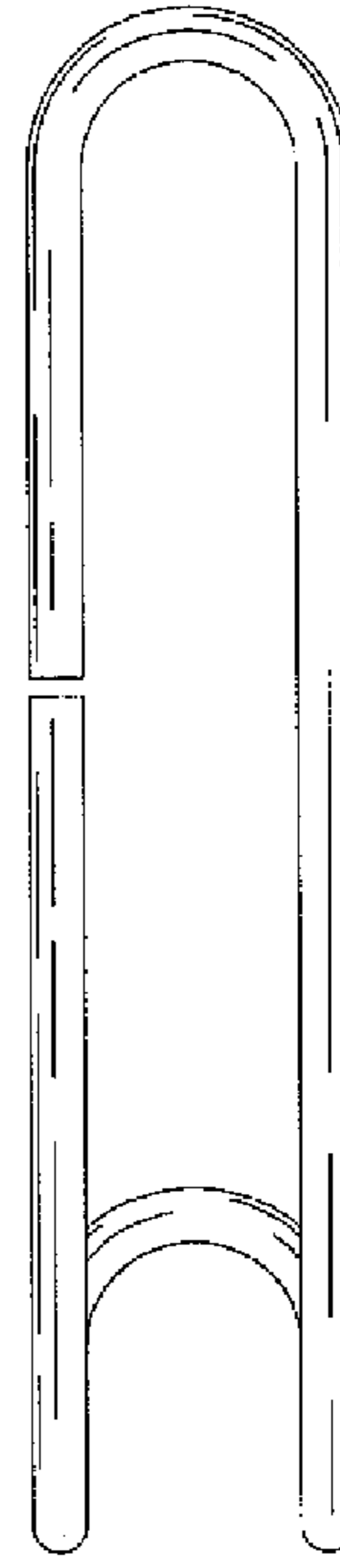


FIG. 7

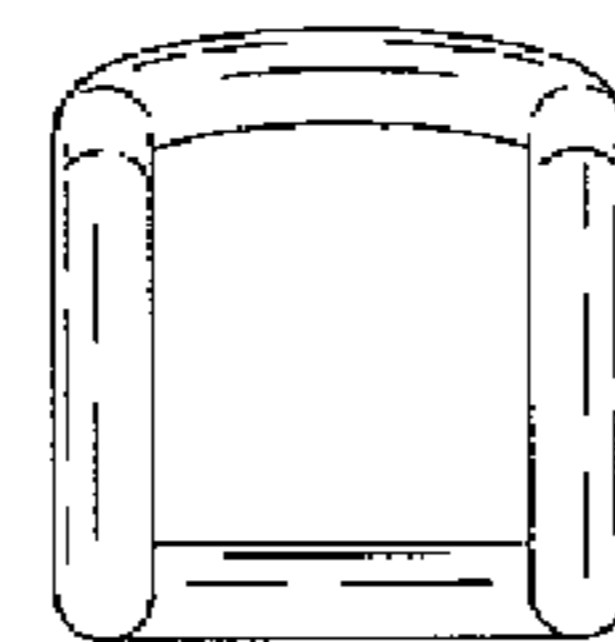


FIG. 6