

US00D727711S

(12) **United States Design Patent**
Deily

(10) **Patent No.:** **US D727,711 S**

(45) **Date of Patent:** **** Apr. 28, 2015**

- (54) **GUSSETED BICYCLE HANDLE BAR**
- (71) Applicant: **Robert M. Deily**, Piedmont, OK (US)
- (72) Inventor: **Robert M. Deily**, Piedmont, OK (US)
- (**) Term: **14 Years**
- (21) Appl. No.: **29/460,174**
- (22) Filed: **Jul. 9, 2013**
- (51) **LOC (10) Cl.** **08-06**
- (52) **U.S. Cl.**
USPC **D8/303**
- (58) **Field of Classification Search**
CPC B62K 21/12
USPC D8/303, 300, 315, 312, 321, 306;
74/551.1, 551.8, 551.9; 411/500;
16/421, 430; D21/432, 682; D12/107,
D12/111, 114, 117, 118
See application file for complete search history.

5,064,157	A *	11/1991	O'Neal	248/230.1
D393,438	S *	4/1998	Cartwright	D12/178
6,742,795	B2 *	6/2004	Liao	280/274
2005/0198781	A1 *	9/2005	Mangano et al.	16/421
2006/0162484	A1 *	7/2006	Liao	74/551.8
2009/0044658	A1 *	2/2009	Yen	74/551.1
2009/0049949	A1 *	2/2009	Chen	74/551.1
2010/0018341	A1 *	1/2010	Greppi	74/551.1

* cited by examiner

Primary Examiner — George D Kirschbaum
Assistant Examiner — Kendra L Hamilton
(74) *Attorney, Agent, or Firm* — Edward L. White

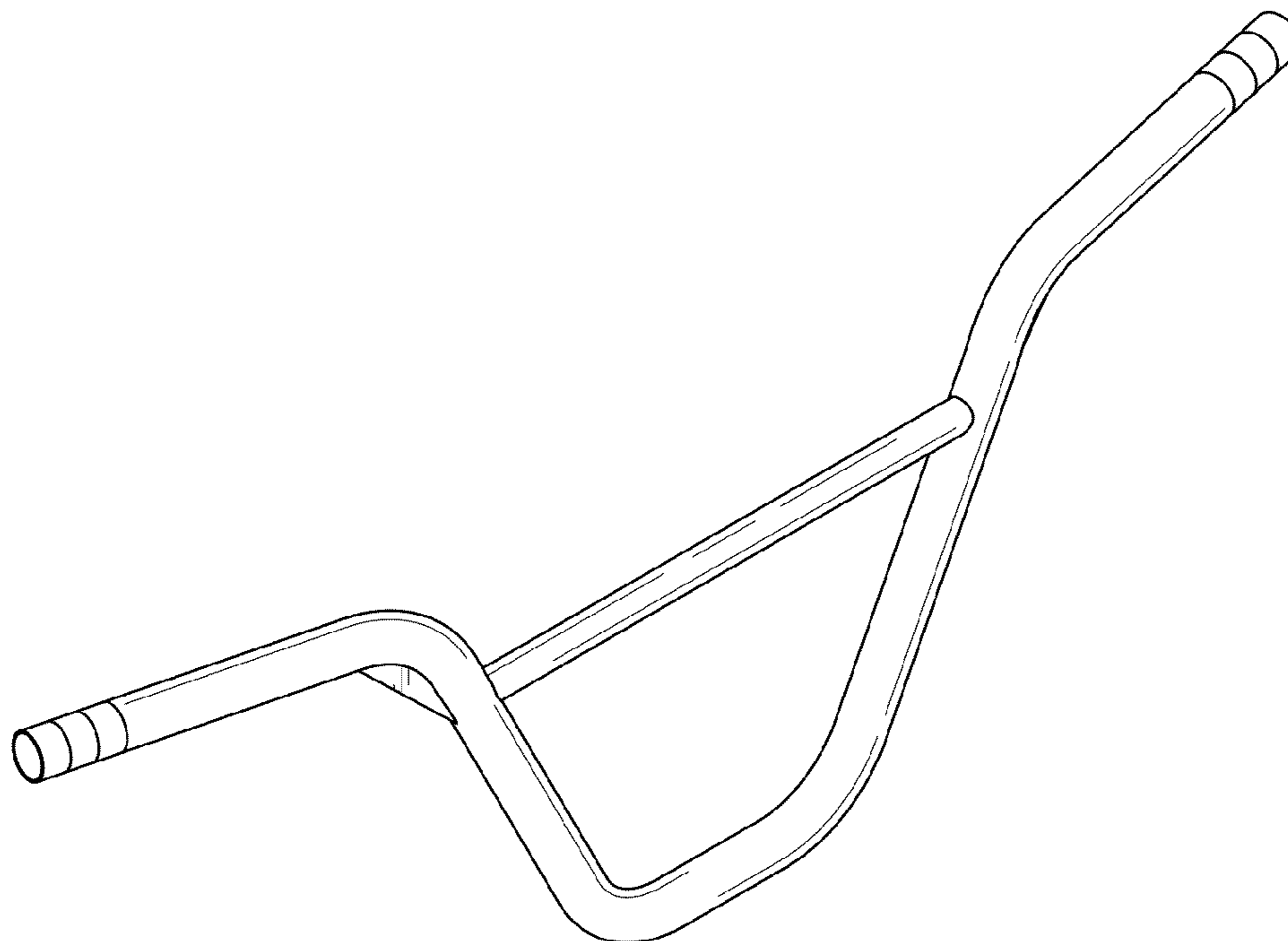
(57) **CLAIM**
The ornamental design for a gusseted bicycle handle bar, as shown and described.

DESCRIPTION

FIG. 1 is a front perspective view of an gusseted bicycle handle bar.
FIG. 2 is a front view thereof.
FIG. 3 is a back view thereof.
FIG. 4 is a top view thereof.
FIG. 5 is a bottom view thereof.
FIG. 6 is a left side view thereof; and,
FIG. 7 is a right side view thereof.

1 Claim, 2 Drawing Sheets

- (56) **References Cited**
U.S. PATENT DOCUMENTS
D284,845 S * 7/1986 Worsham D12/178
4,630,502 A * 12/1986 Greco 74/551.1
D316,071 S * 4/1991 McMurtrey D12/178



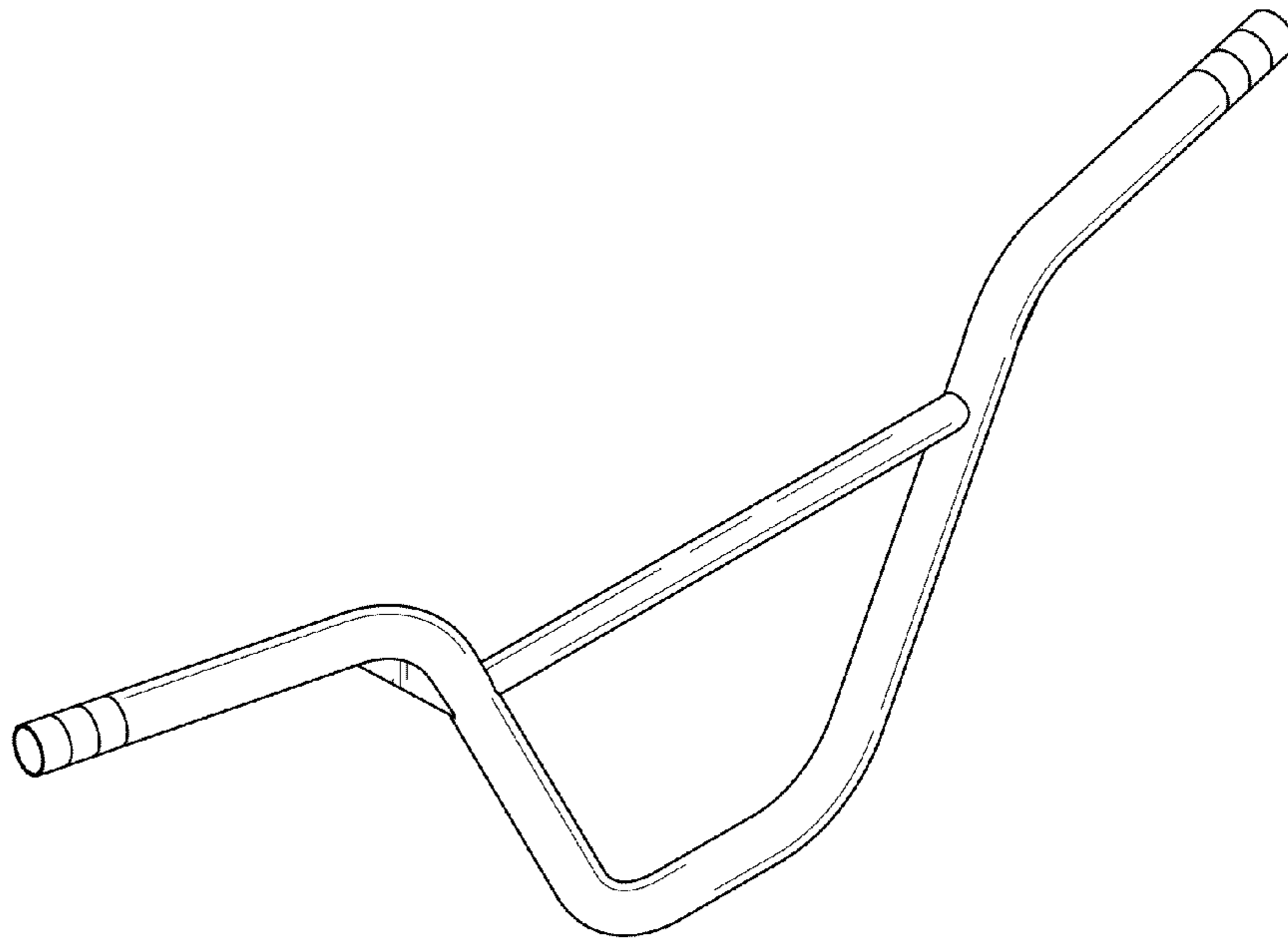


FIG. 1

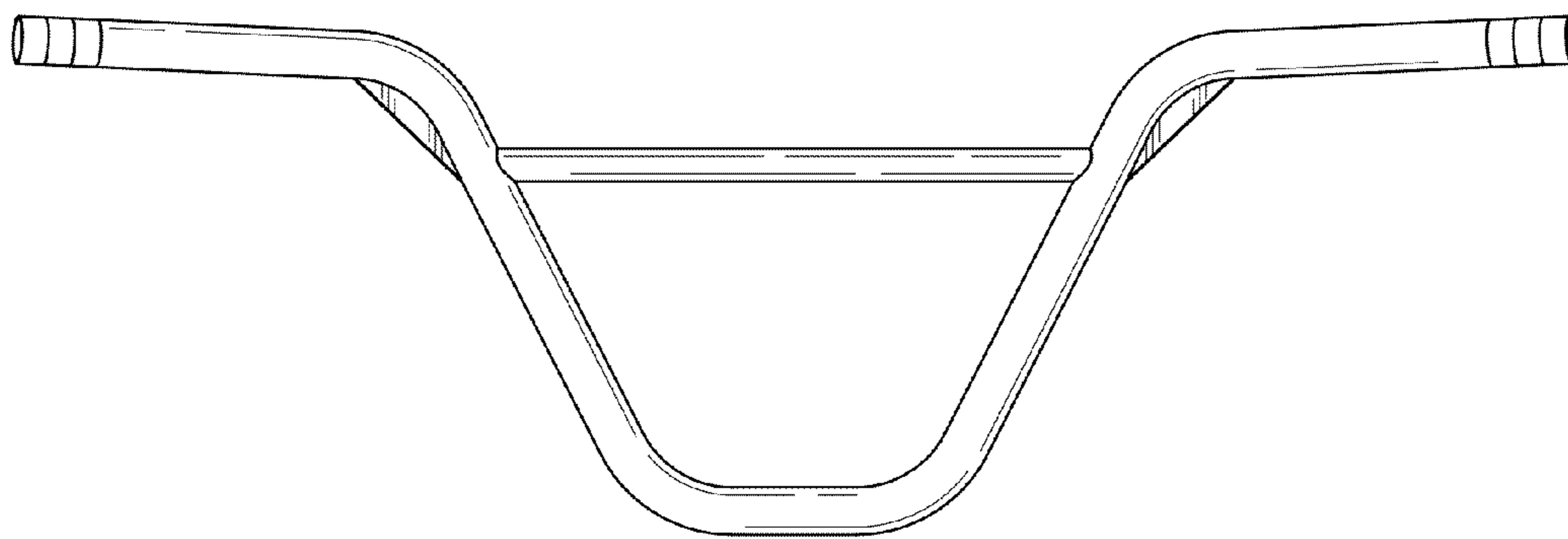


FIG. 2

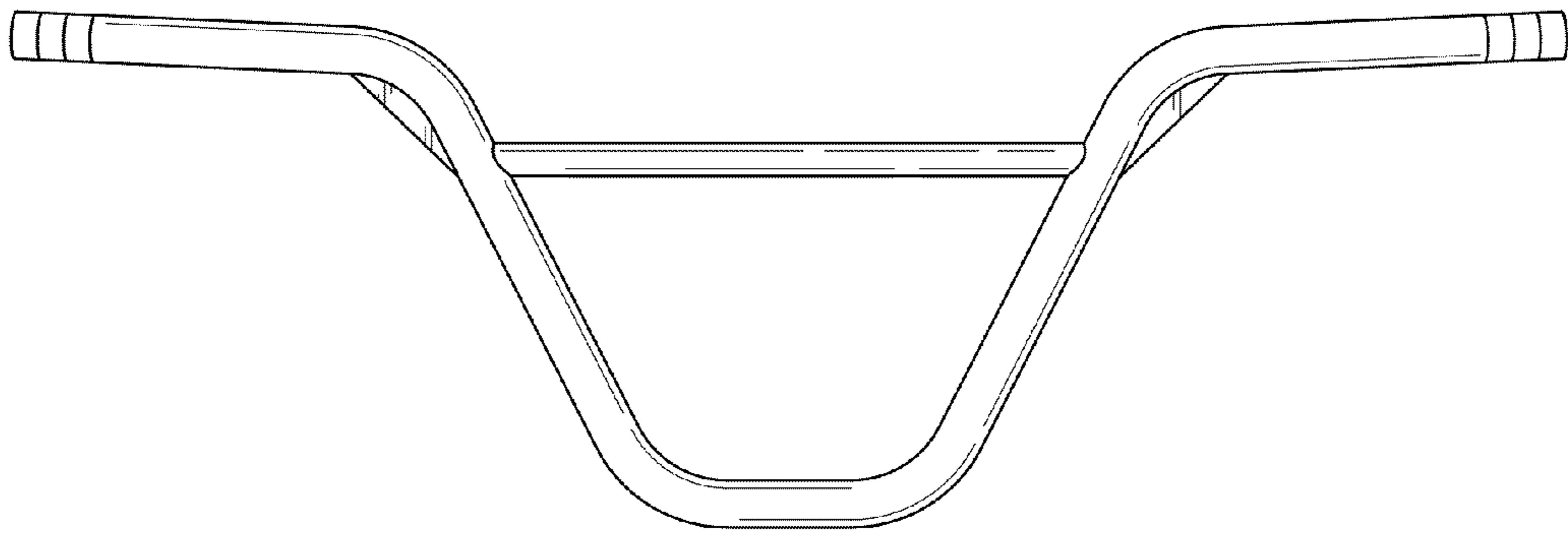


FIG. 3

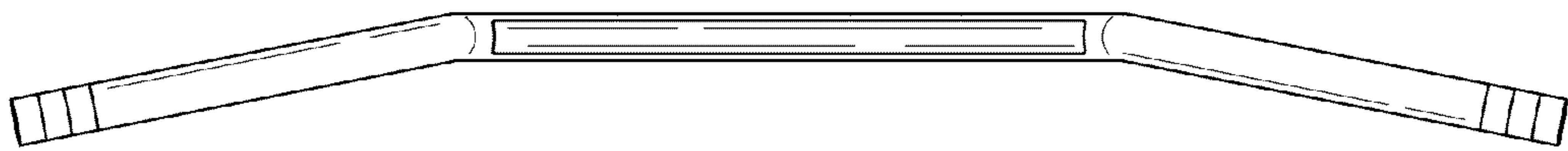


FIG. 4

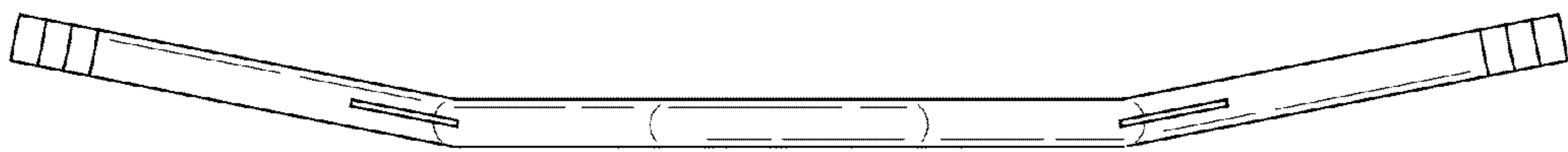


FIG. 5

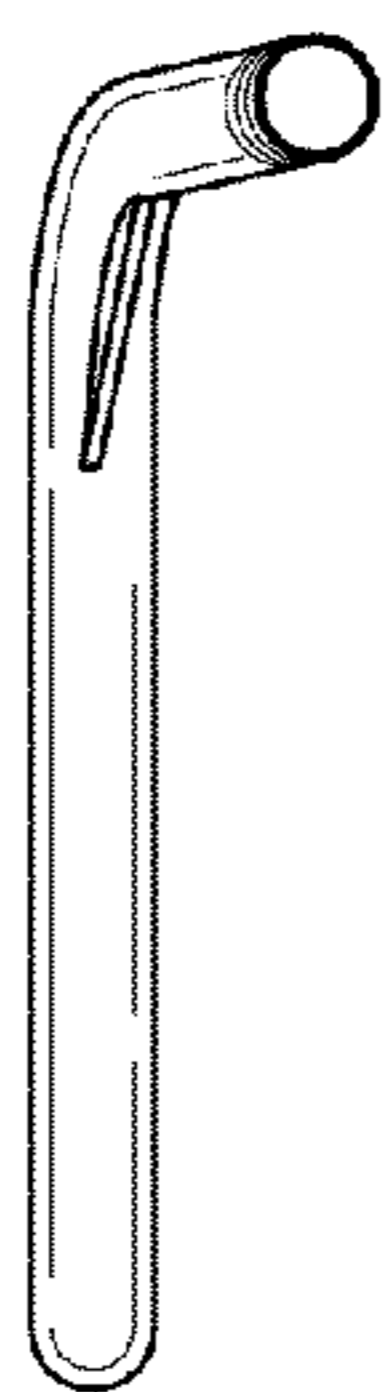


FIG. 6

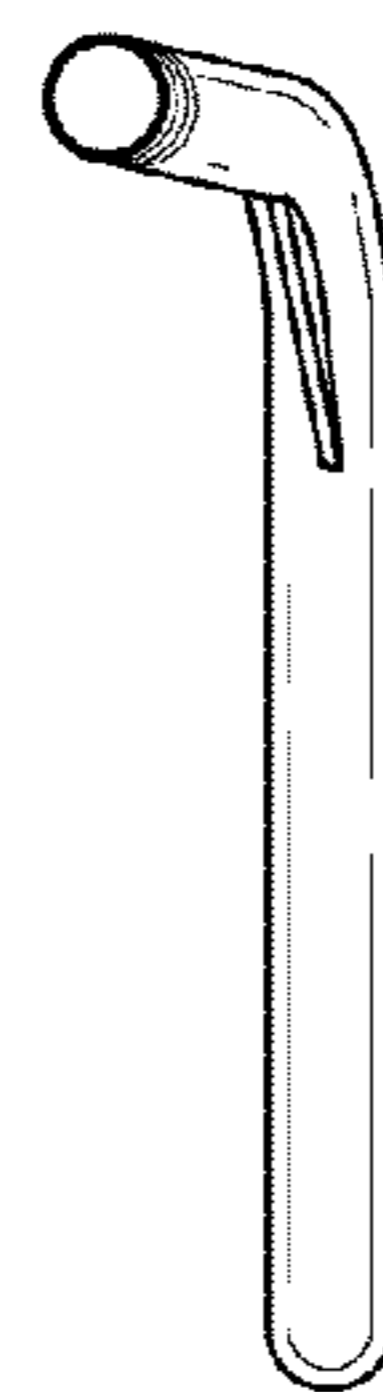


FIG. 7