



US00D727709S

(12) **United States Design Patent**  
**Sun**

(10) **Patent No.:** **US D727,709 S**

(45) **Date of Patent:** **\*\* \*Apr. 28, 2015**

(54) **TOOL RACK**

(71) Applicant: **Shanghai Easy-use Tools Enterprise Co., Ltd**, Shanghai (CN)

(72) Inventor: **Shiyu Sun**, Shanghai (CN)

(73) Assignee: **Shanghai Easy-use Tools Enterprise Co., Ltd**, Shanghai (CN)

(\*) Notice: This patent is subject to a terminal disclaimer.

(\*\*) Term: **14 Years**

(21) Appl. No.: **29/472,221**

(22) Filed: **Nov. 11, 2013**

(51) **LOC (10) Cl.** ..... **08-05**

(52) **U.S. Cl.**  
USPC ..... **D8/105; D8/26**

(58) **Field of Classification Search**  
USPC ..... D8/14, 16, 18, 19, 20, 22-29, 33, 34, D8/38-43, 51, 52, 55, 57, 75, 81-87, 98, D8/104-106, 354, 356, 358, 360.1; 7/151-166; 30/151, 359, 366; D3/24, D3/25, 207-208, 210, 228; D10/62; 362/119; 206/38, 232, 234; 81/437, 81/440

See application file for complete search history.

(56) **References Cited**

U.S. PATENT DOCUMENTS

D427,875	S	*	7/2000	Chiu	.....	D8/105
D450,229	S	*	11/2001	Lin	.....	D8/107
6,601,481	B2	*	8/2003	Chuang	.....	81/440
D479,963	S	*	9/2003	Chang	.....	D8/21
D515,391	S	*	2/2006	Hawkins	.....	D8/105
7,020,923	B1	*	4/2006	Jangula	.....	7/166
7,481,137	B1	*	1/2009	Johnson	.....	81/440
D622,125	S	*	8/2010	Robinson	.....	D8/105
D677,552	S	*	3/2013	Johnson et al.	.....	D8/105
8,490,523	B2	*	7/2013	Tsai et al.	.....	81/440
2011/0000025	A1	*	1/2011	Johnson et al.	.....	7/118
2014/0041128	A1	*	2/2014	Wang	.....	7/118

\* cited by examiner

*Primary Examiner* — Susan Bennett Hattan

*Assistant Examiner* — Janice Hallmark

(74) *Attorney, Agent, or Firm* — CBM Patent Consulting, LLC

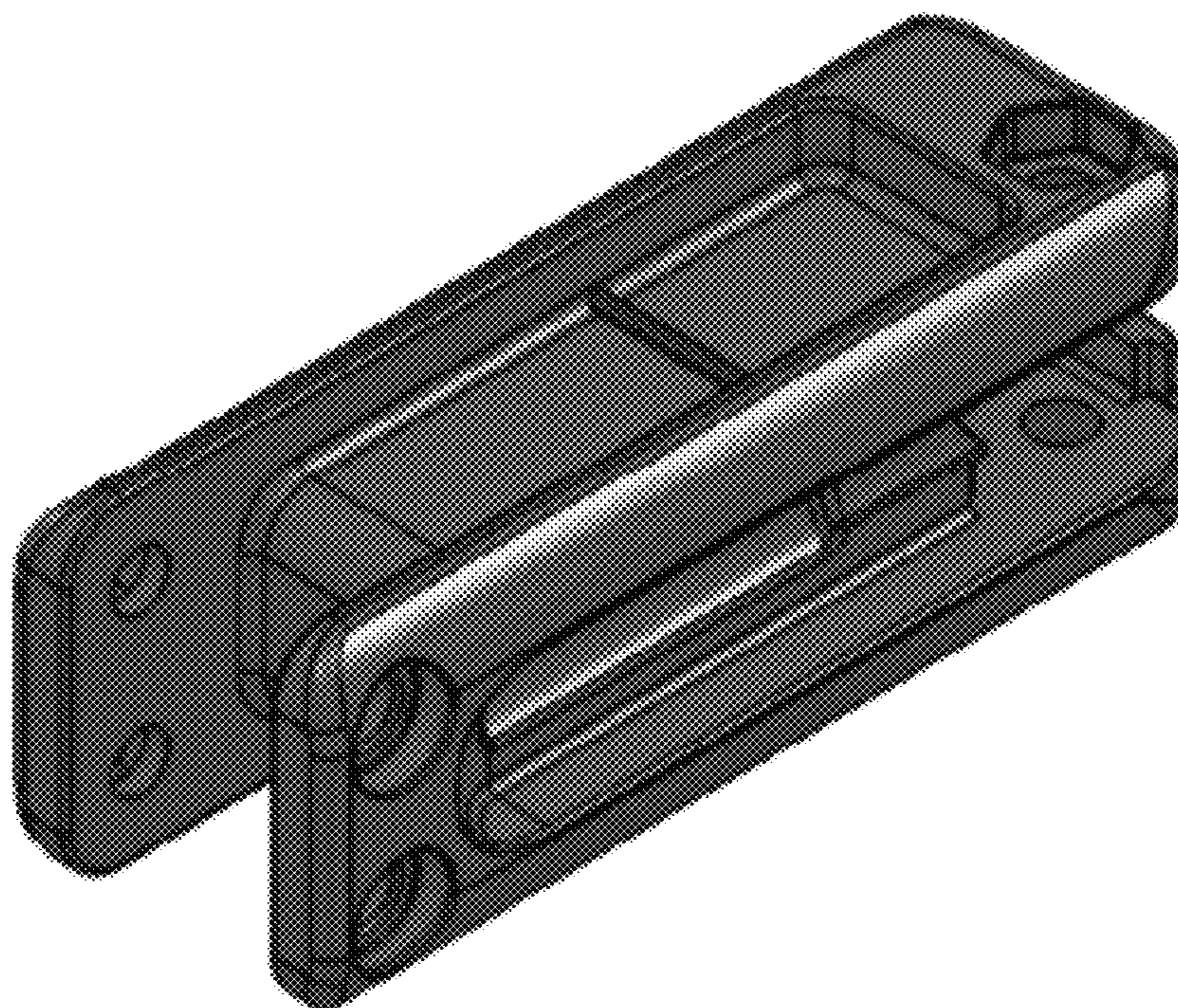
(57) **CLAIM**

The ornamental design for a tool rack, as shown and described.

**DESCRIPTION**

FIG. 1 is a front view of a tool rack showing my new design; FIG. 2 is a rear view thereof; FIG. 3 is a left side elevation view thereof; FIG. 4 is a right side elevation view thereof; FIG. 5 is a top plan view thereof; FIG. 6 is a bottom plan view thereof; and, FIG. 7 is a perspective view thereof.

**1 Claim, 6 Drawing Sheets**



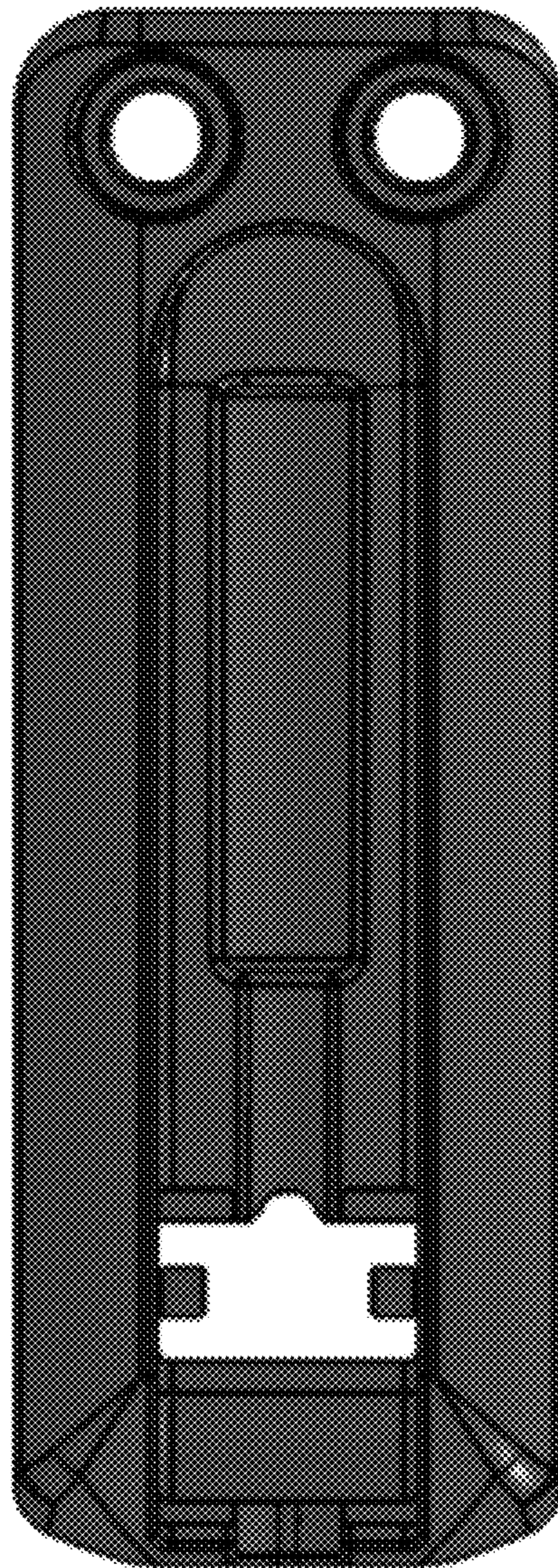


FIG. 1

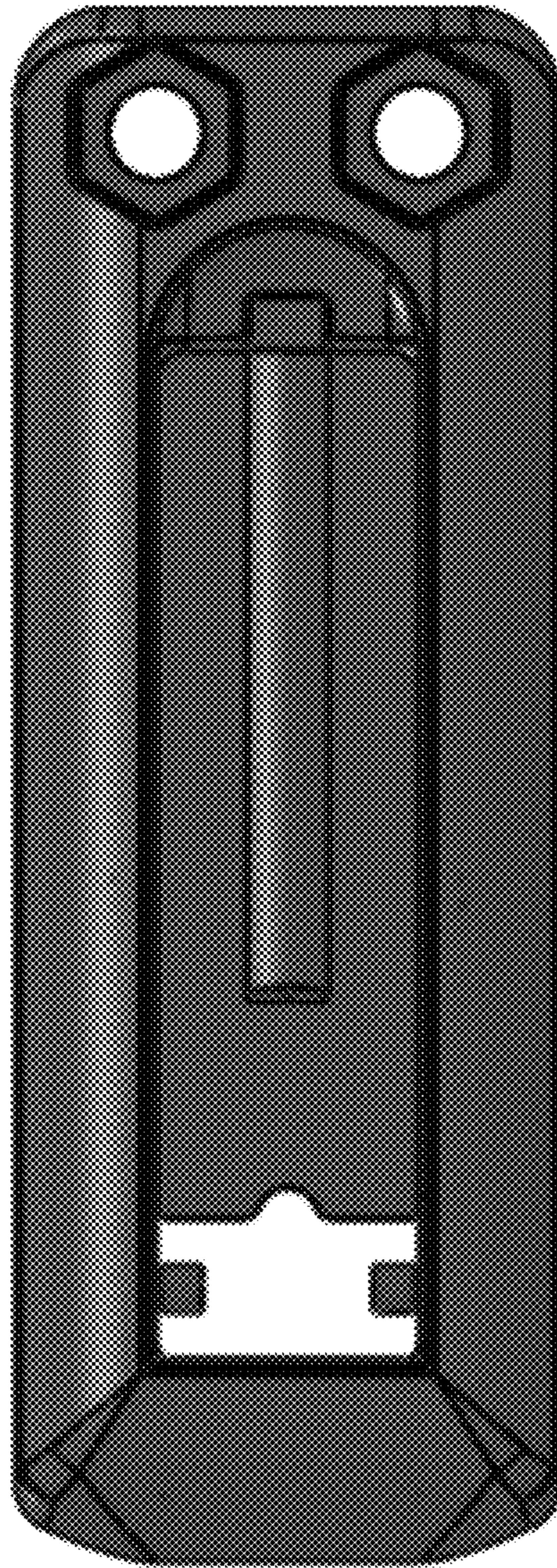


FIG. 2

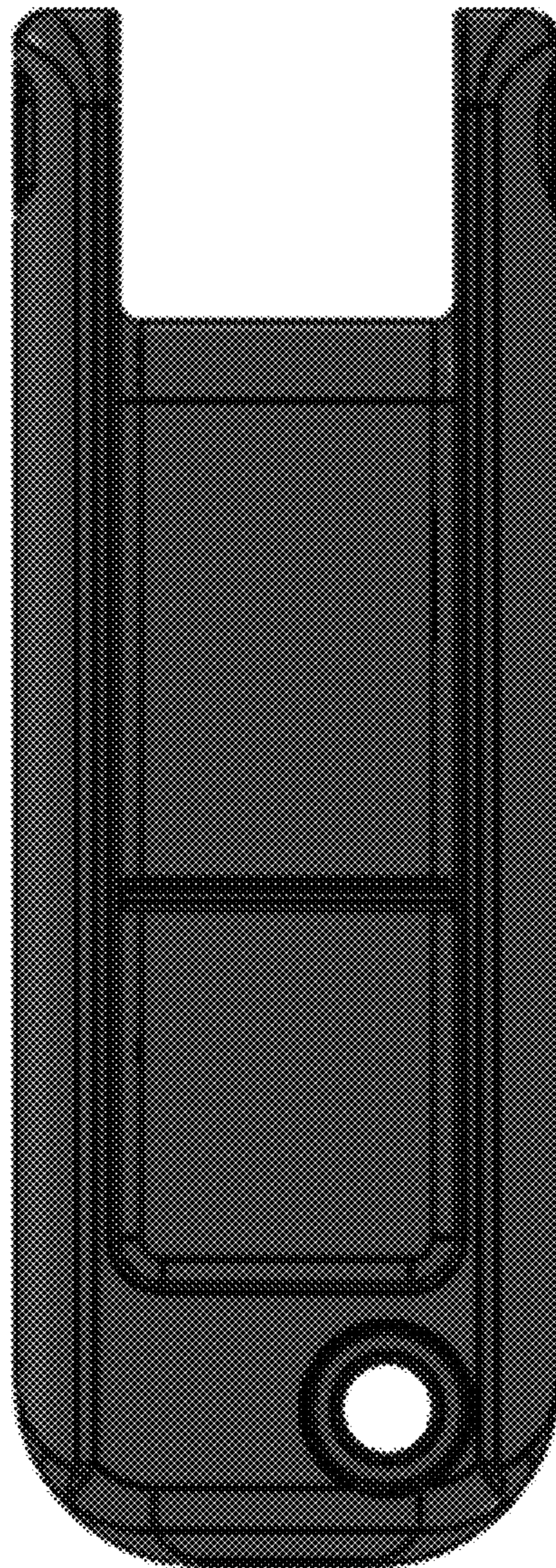


FIG. 3

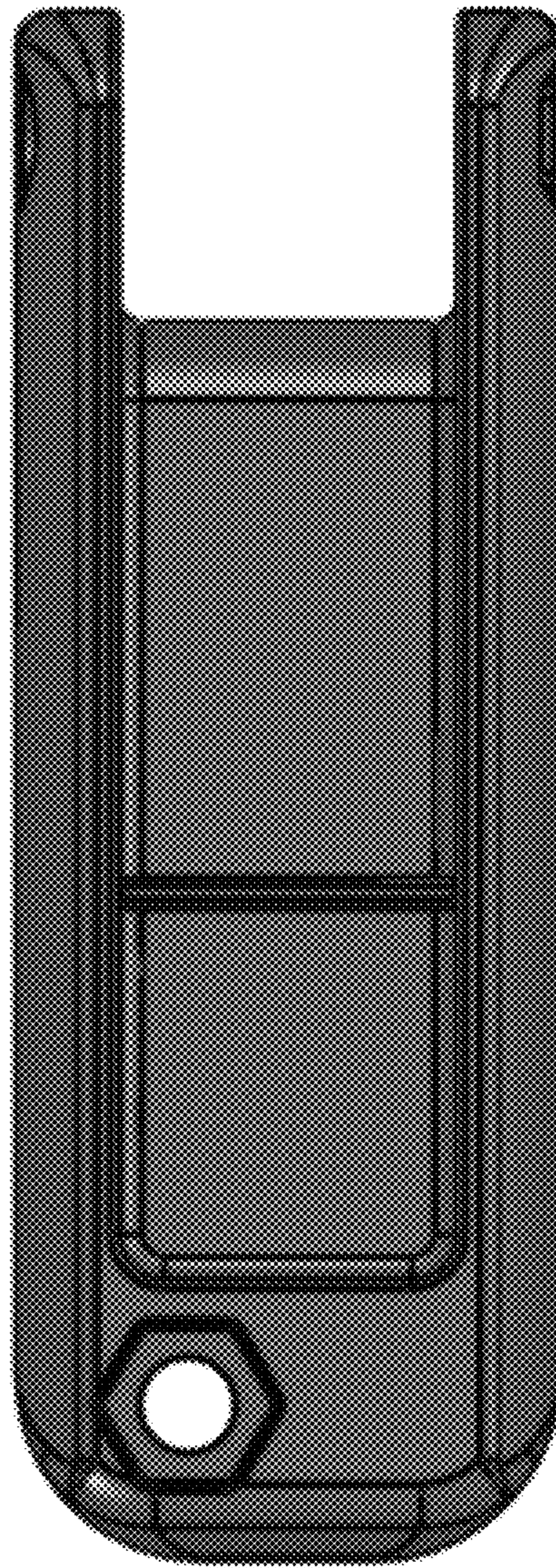


FIG. 4

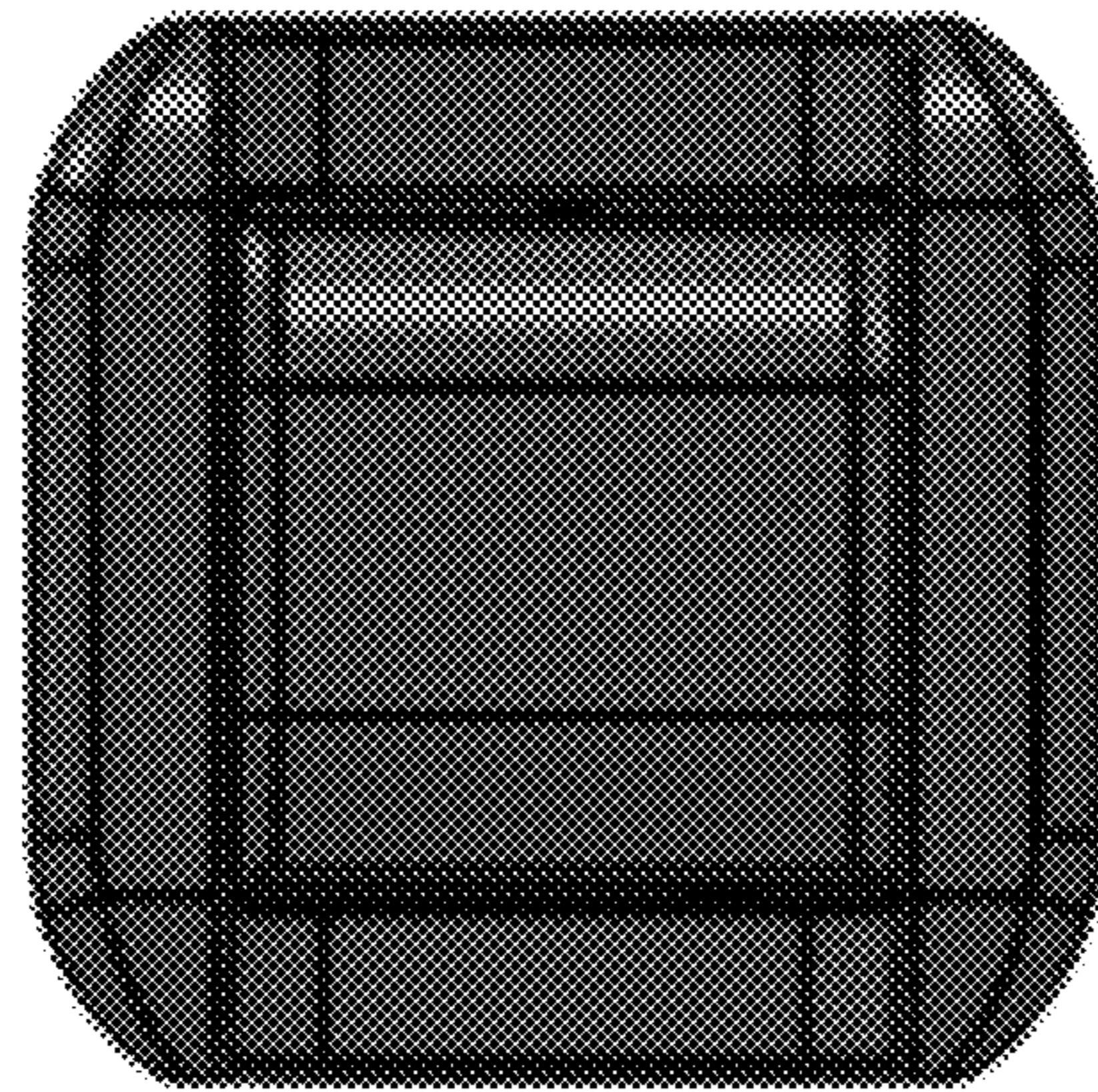


FIG. 5

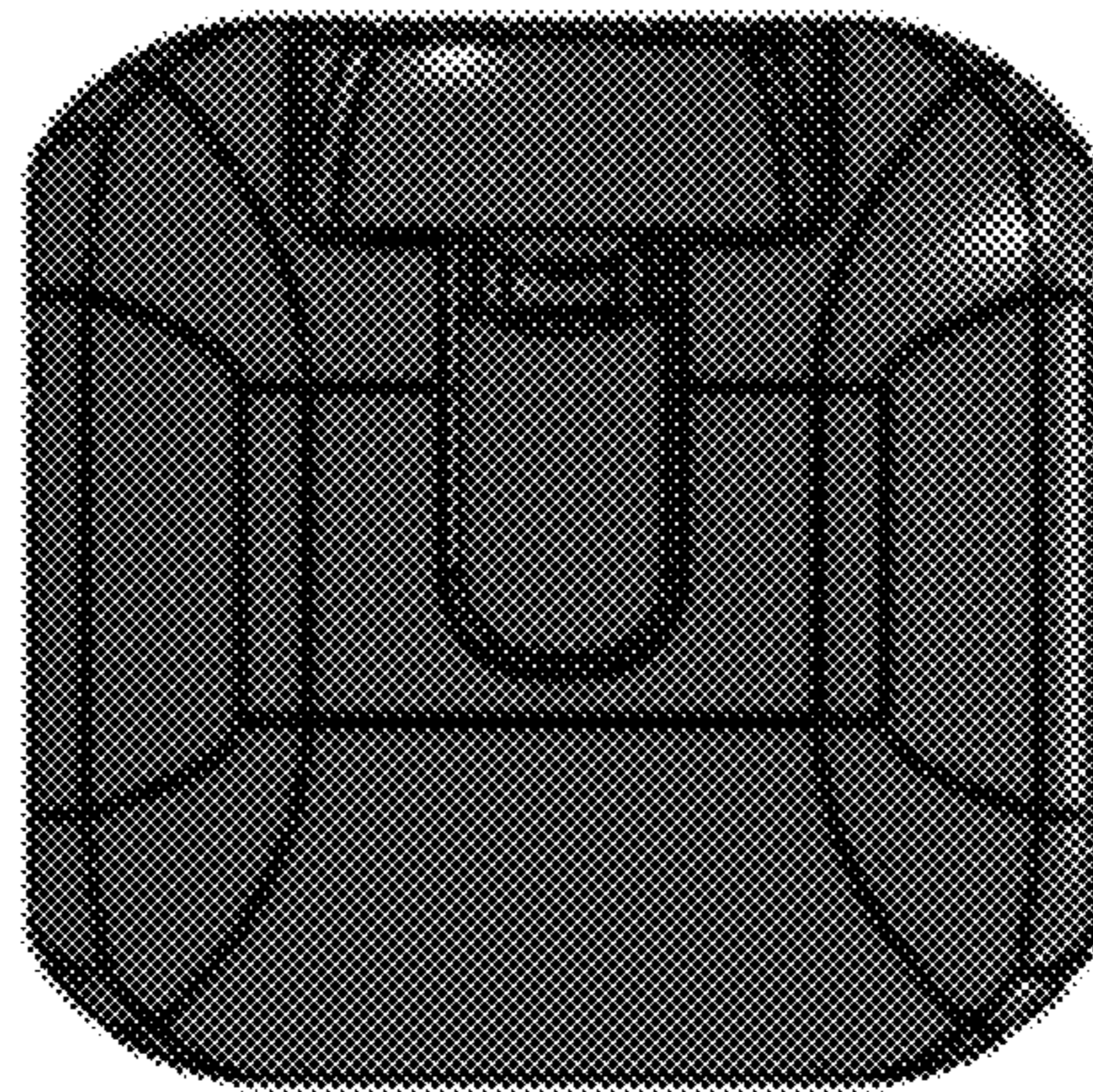


FIG. 6

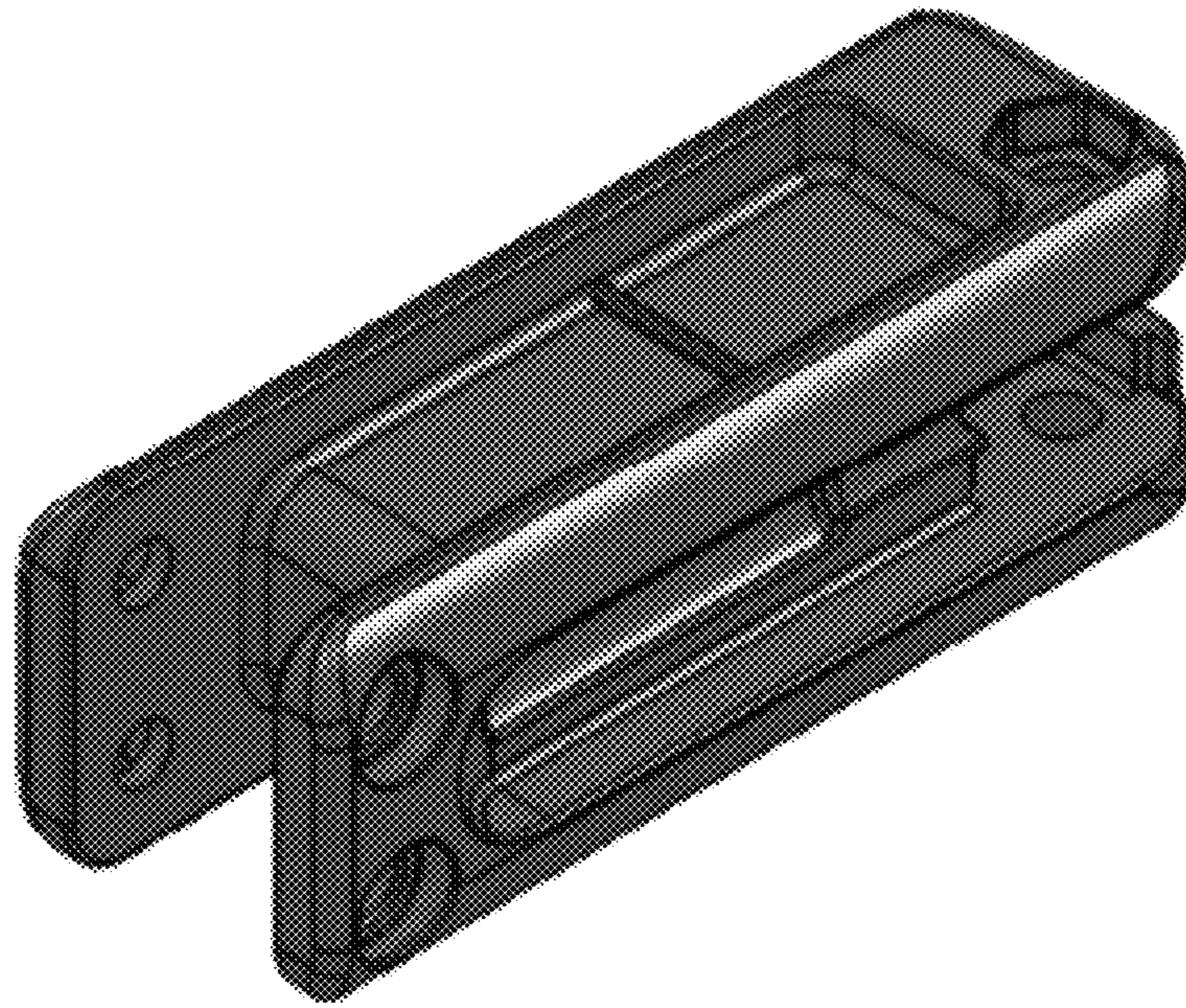


FIG. 7