



US00D727706S

(12) **United States Design Patent**
Chen

(10) **Patent No.:** **US D727,706 S**
(45) **Date of Patent:** **** Apr. 28, 2015**

- (54) **PNEUMATIC TOOL CASING**
- (71) Applicant: **Sunmatch Industrial Co., Ltd.**, Zhubei,
Hsinchu County (TW)
- (72) Inventor: **Lung-Pao Chen**, Zhubei (TW)
- (73) Assignee: **Sunmatch Industrial Co., Ltd.**,
Hsinchu County (TW)

(**) Term: **14 Years**
(21) Appl. No.: **29/471,482**

- (22) Filed: **Oct. 31, 2013**
- (51) **LOC (10) Cl.** **08-03**
- (52) **U.S. Cl.**
USPC **D8/68**
- (58) **Field of Classification Search**
USPC D8/61, 67, 68; 81/57.4, 489; 173/48,
173/109, 170, 178, 217; 408/124, 125;
362/119; 475/149
See application file for complete search history.

(56) **References Cited**

U.S. PATENT DOCUMENTS

D508,642 S *	8/2005	Kokawa et al.	D8/68
D519,807 S *	5/2006	Chen	D8/68
D520,835 S *	5/2006	Aglassinger	D8/68
D572,991 S *	7/2008	Chen	D8/68
D578,854 S *	10/2008	Lopano	D8/68
D614,468 S *	4/2010	Aglassinger	D8/68
D615,379 S *	5/2010	Aglassinger	D8/68
2006/0197289 A1 *	9/2006	Lai et al.	277/594
2007/0151075 A1 *	7/2007	Izumisawa et al.	16/110.1
2009/0020003 A1 *	1/2009	Chen	91/444

2011/0147021 A1 *	6/2011	Schaal et al.	173/47
2012/0261154 A1 *	10/2012	Chen	173/221
2013/0186665 A1 *	7/2013	Hua	173/170

FOREIGN PATENT DOCUMENTS

JP	2011036927 A *	2/2011	B25F 5/02
JP	2011131377 A *	7/2011	B25F 5/02
JP	2013237119 A *	11/2013	B25F 5/02
WO	WO 2013179713 A1 *	12/2013	B25F 5/02

* cited by examiner

Primary Examiner — Philip S Hyder

Assistant Examiner — Darlington Ly

(74) *Attorney, Agent, or Firm* — Leong C. Lei

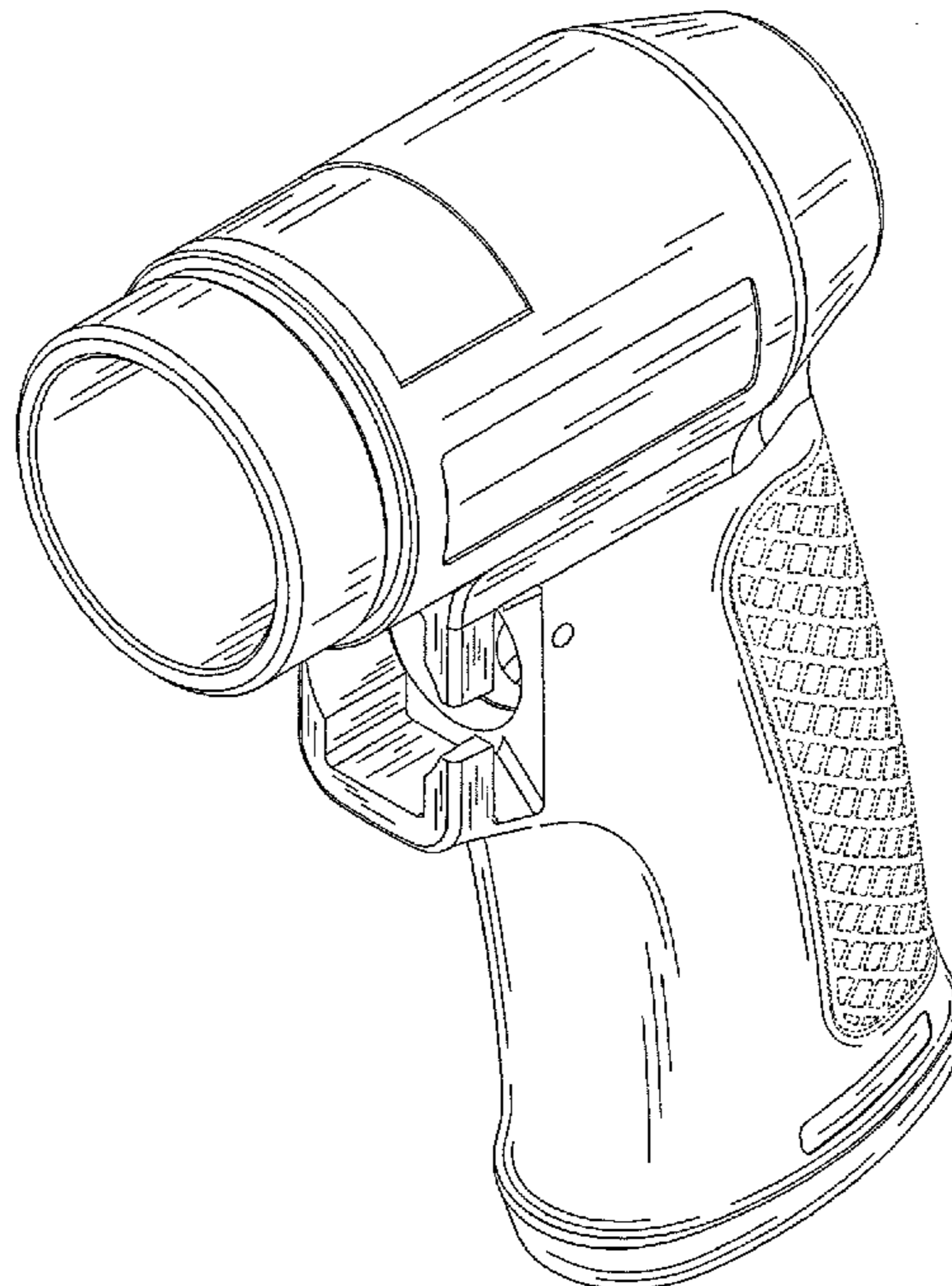
(57) **CLAIM**

The ornamental design for a pneumatic tool casing, as shown and described.

DESCRIPTION

FIG. 1 is a perspective view of a pneumatic tool casing showing my new design;
 FIG. 2 is a top plan view thereof;
 FIG. 3 is a front elevation view thereof;
 FIG. 4 is a rear elevation view thereof;
 FIG. 5 is a left side elevation view thereof;
 FIG. 6 is a right side elevation view thereof;
 FIG. 7 is a bottom plan view thereof; and,
 FIG. 8 is a perspective view thereof, wherein a pneumatic tool is engaged.
 The broken lines shown in the drawings illustrate environmental structure and portions of the pneumatic tool casing that forms no part of claimed design.

1 Claim, 8 Drawing Sheets



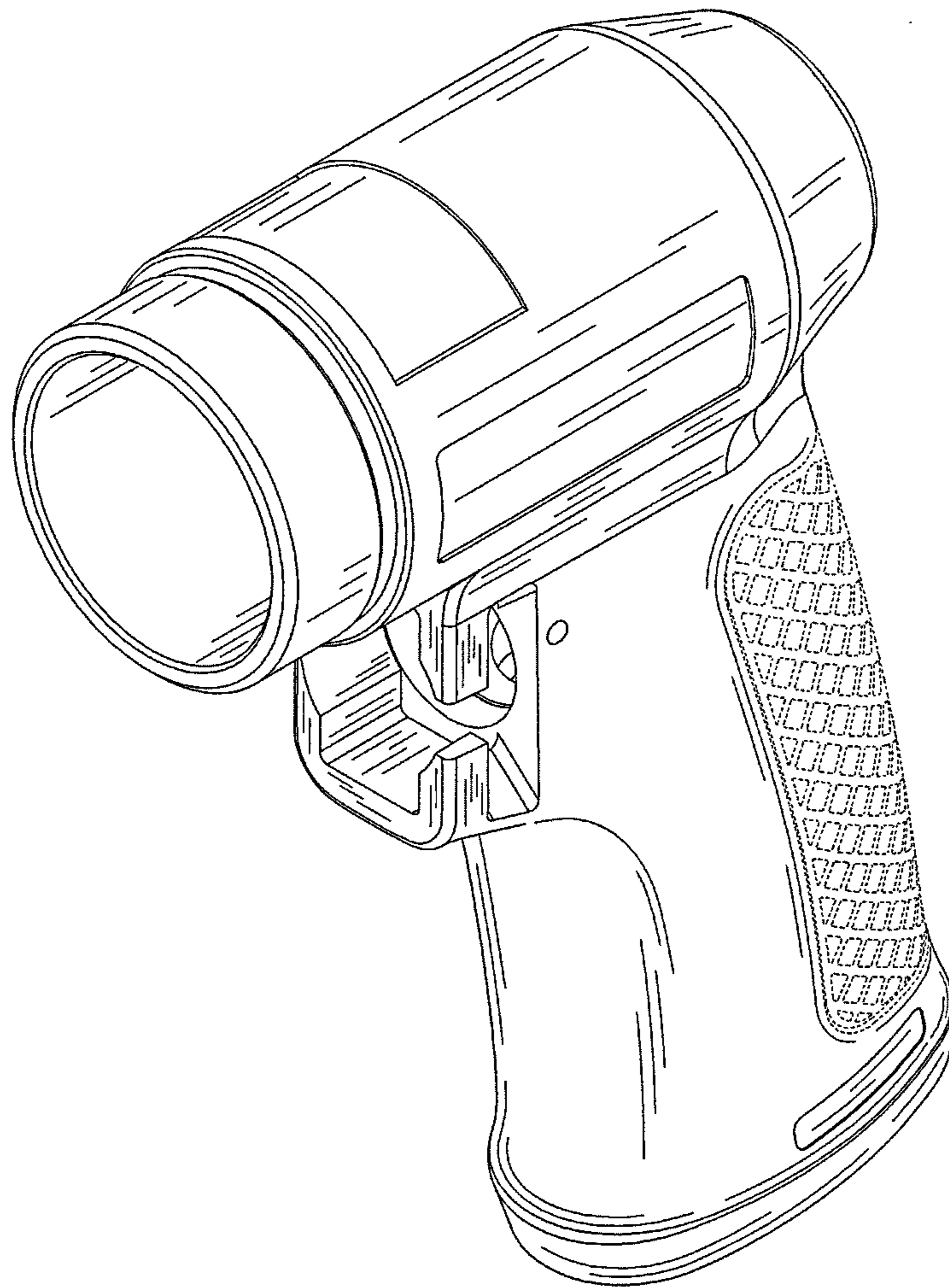


FIG. 1

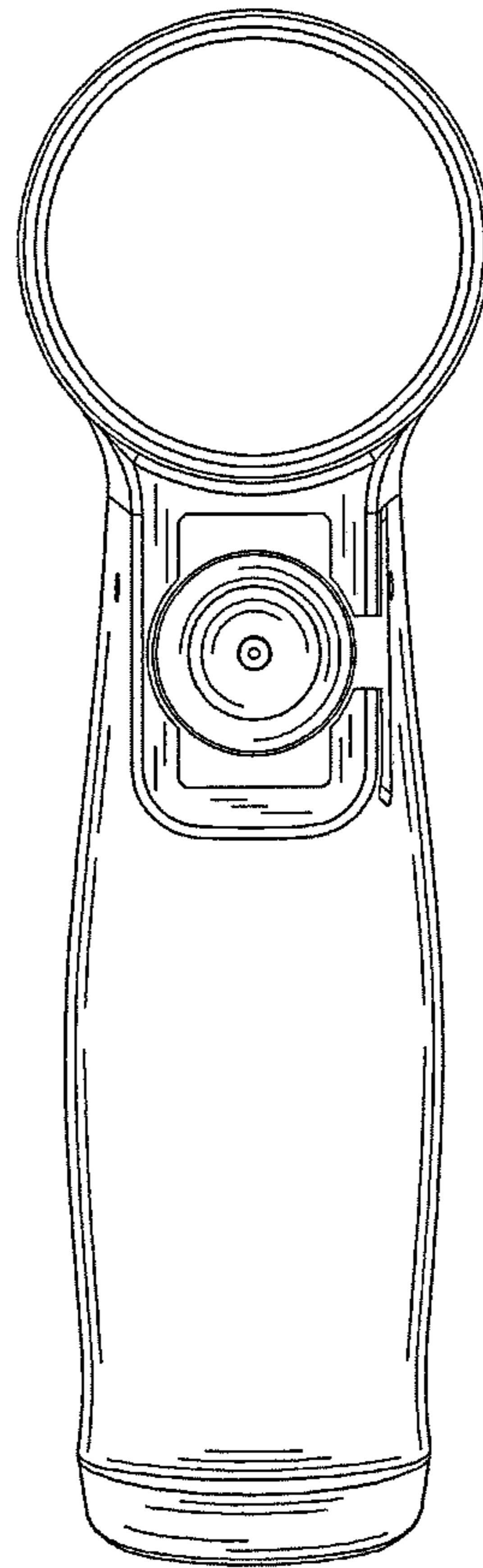


FIG. 2

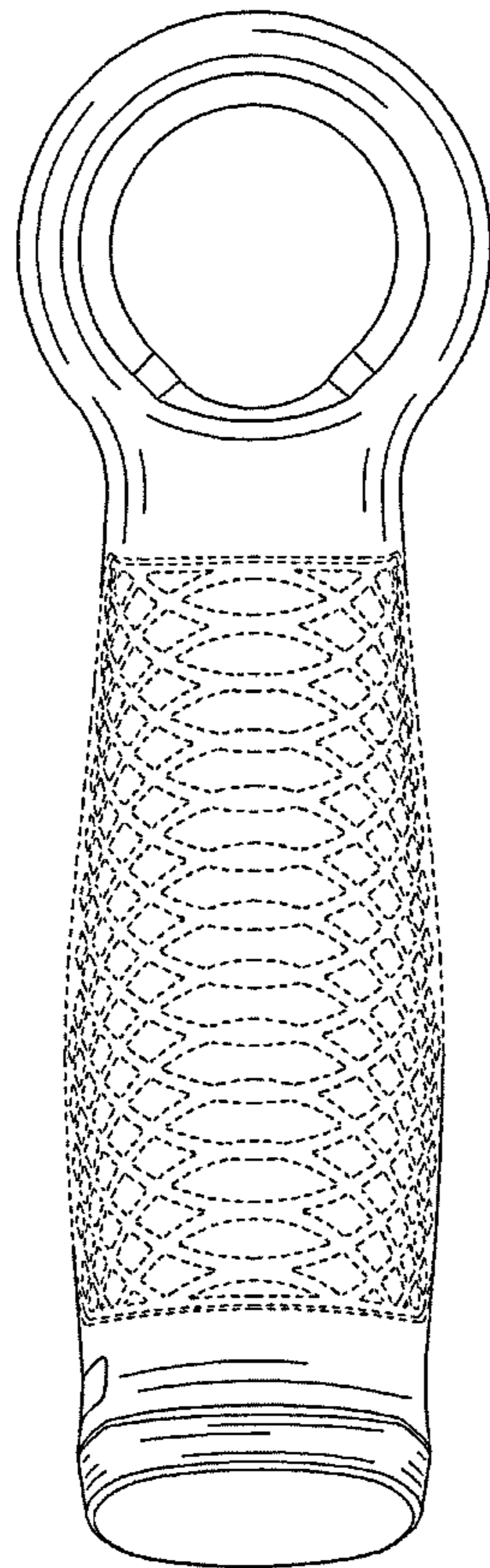


FIG. 3

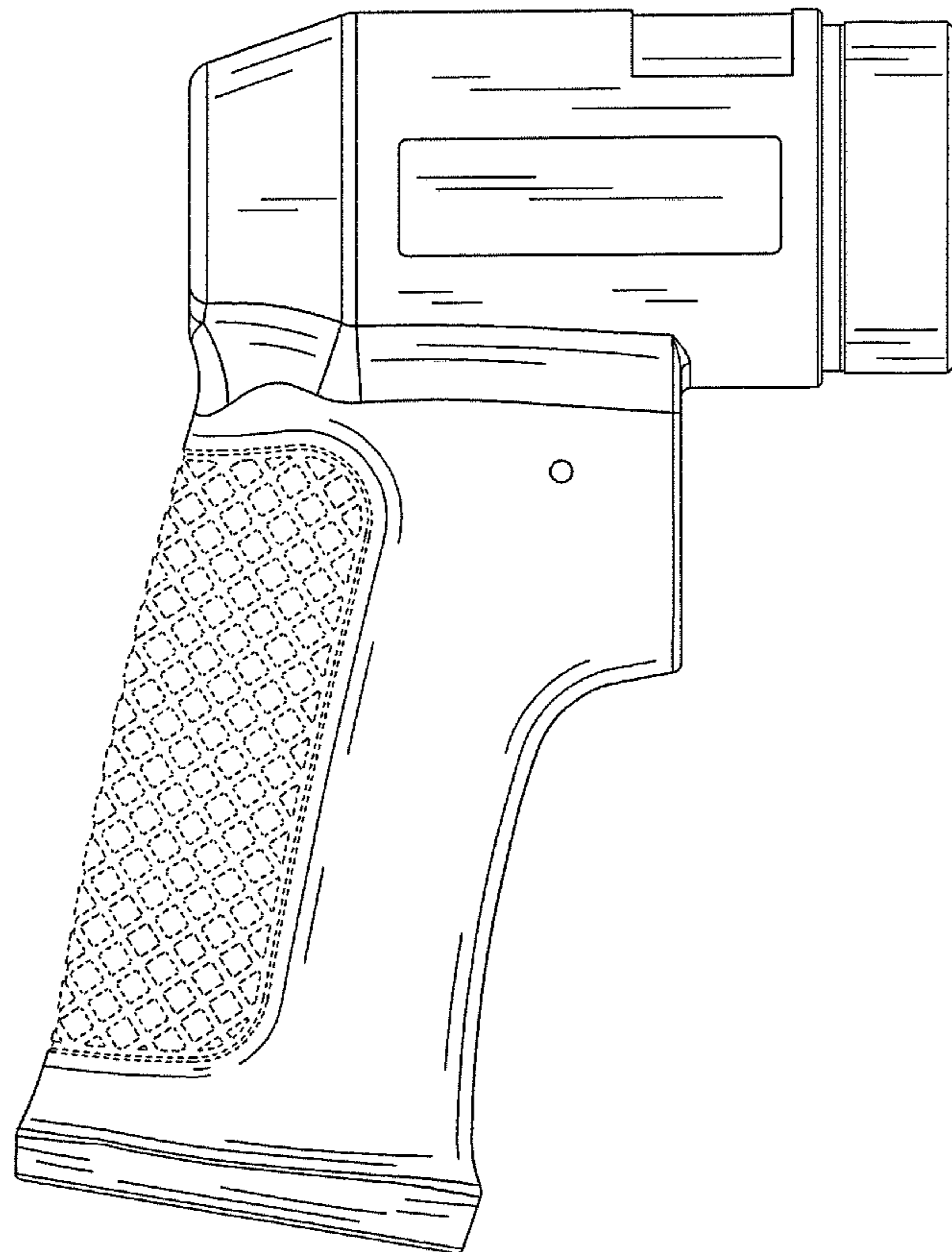


FIG. 4

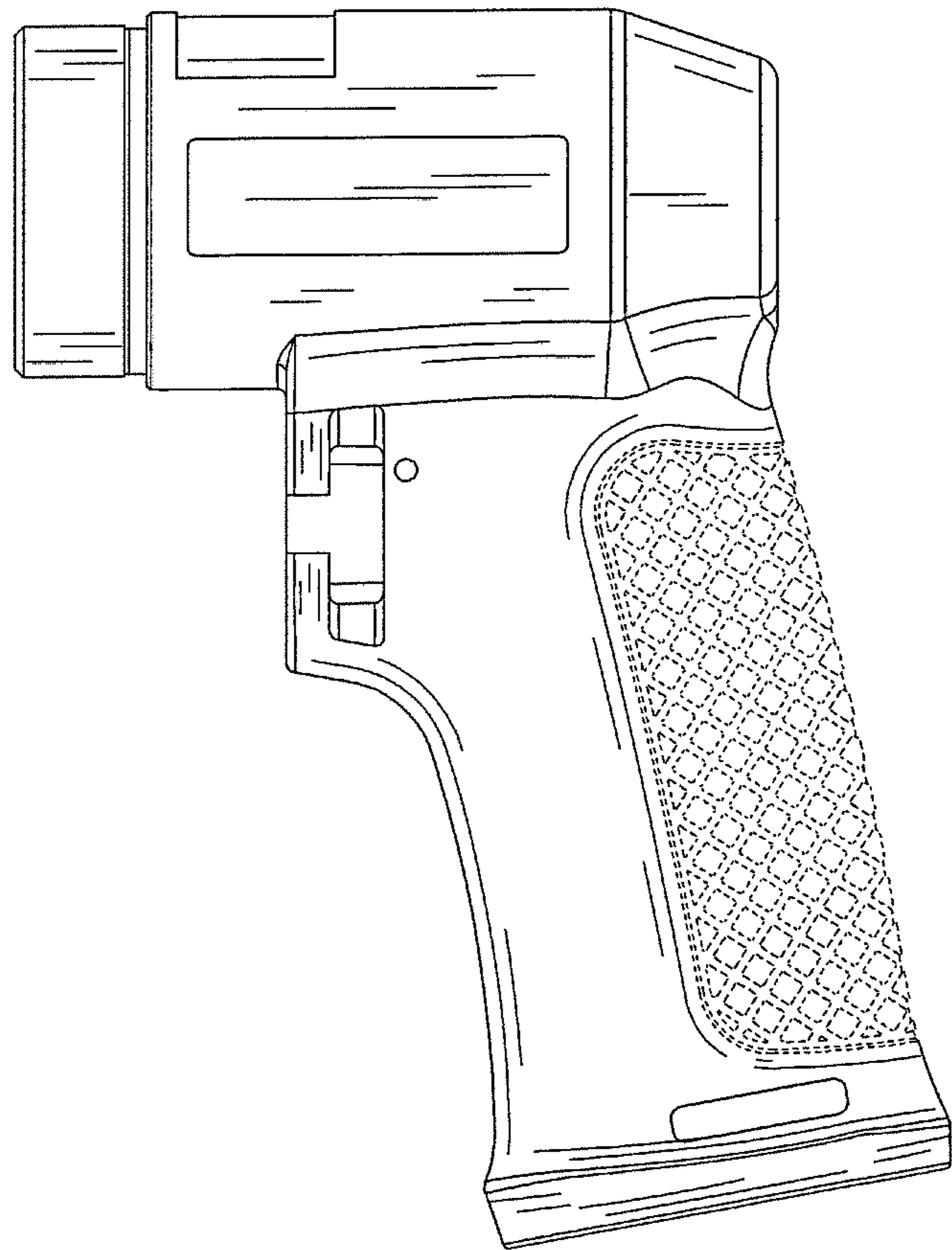


FIG. 5

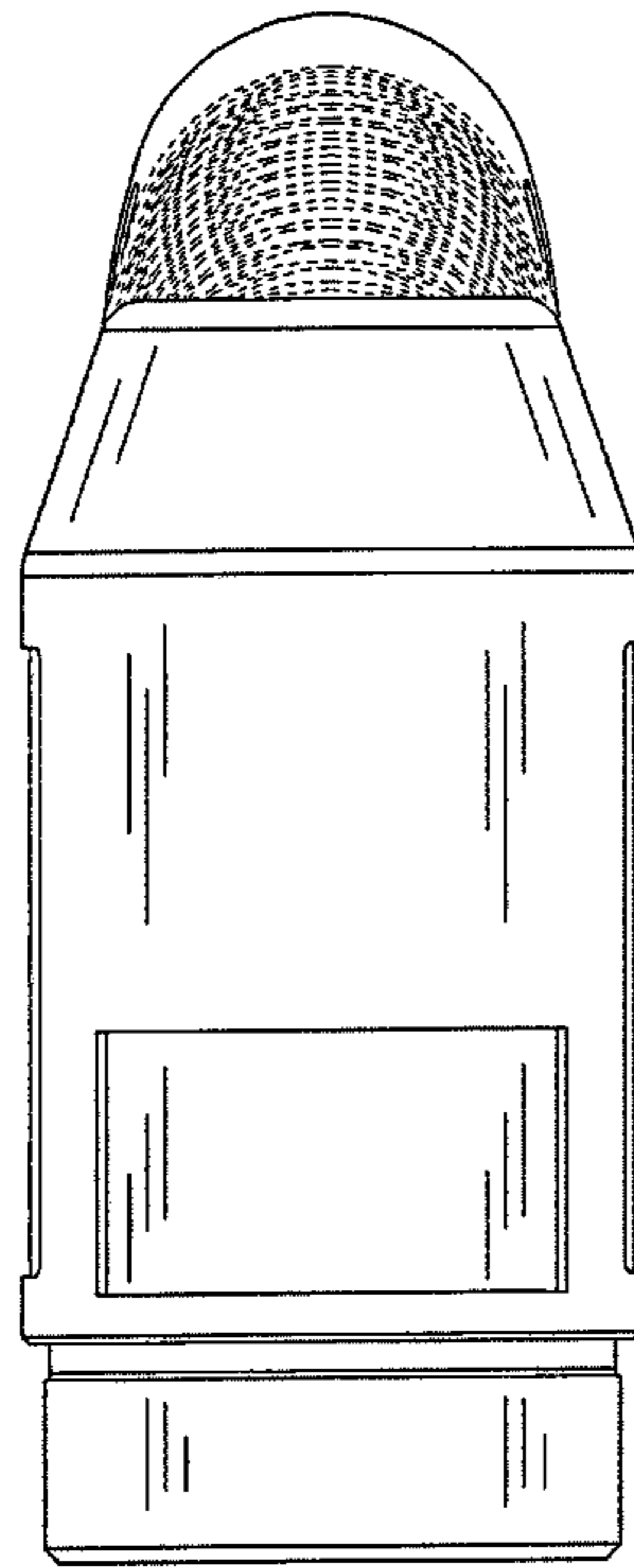


FIG. 6

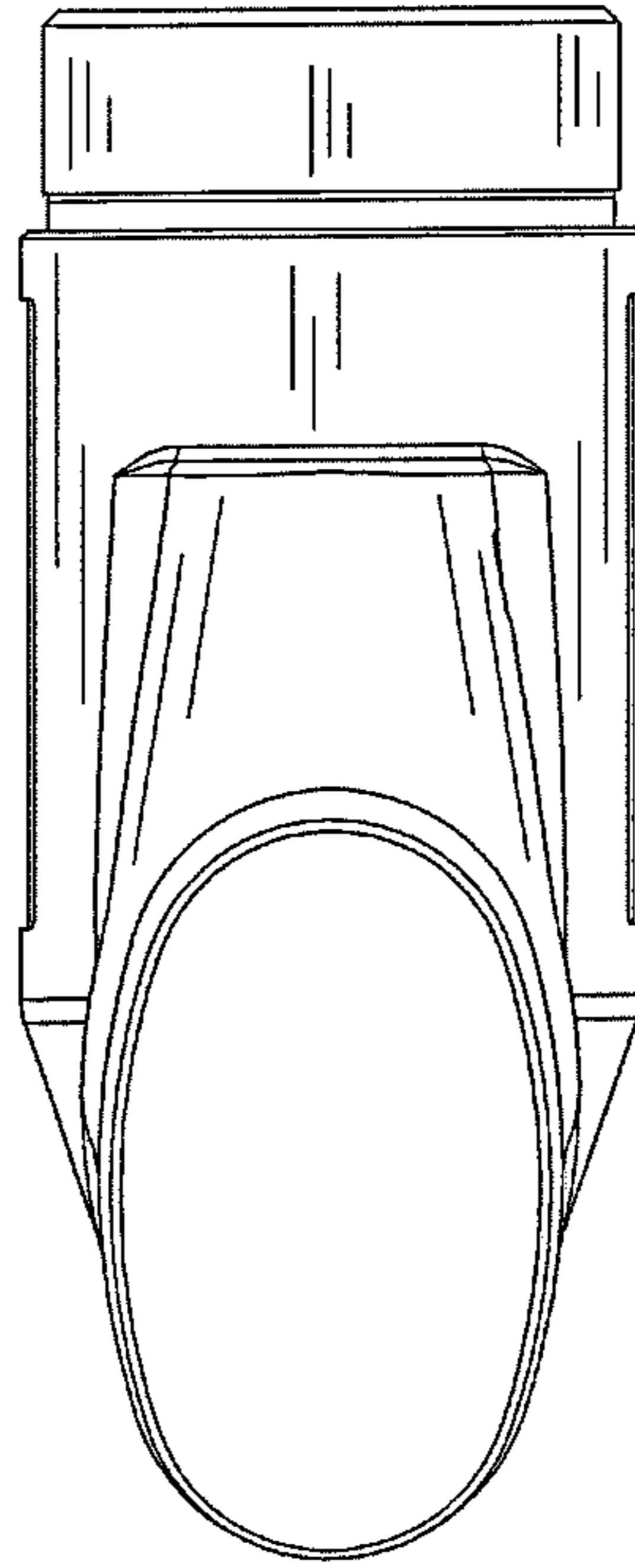


FIG. 7

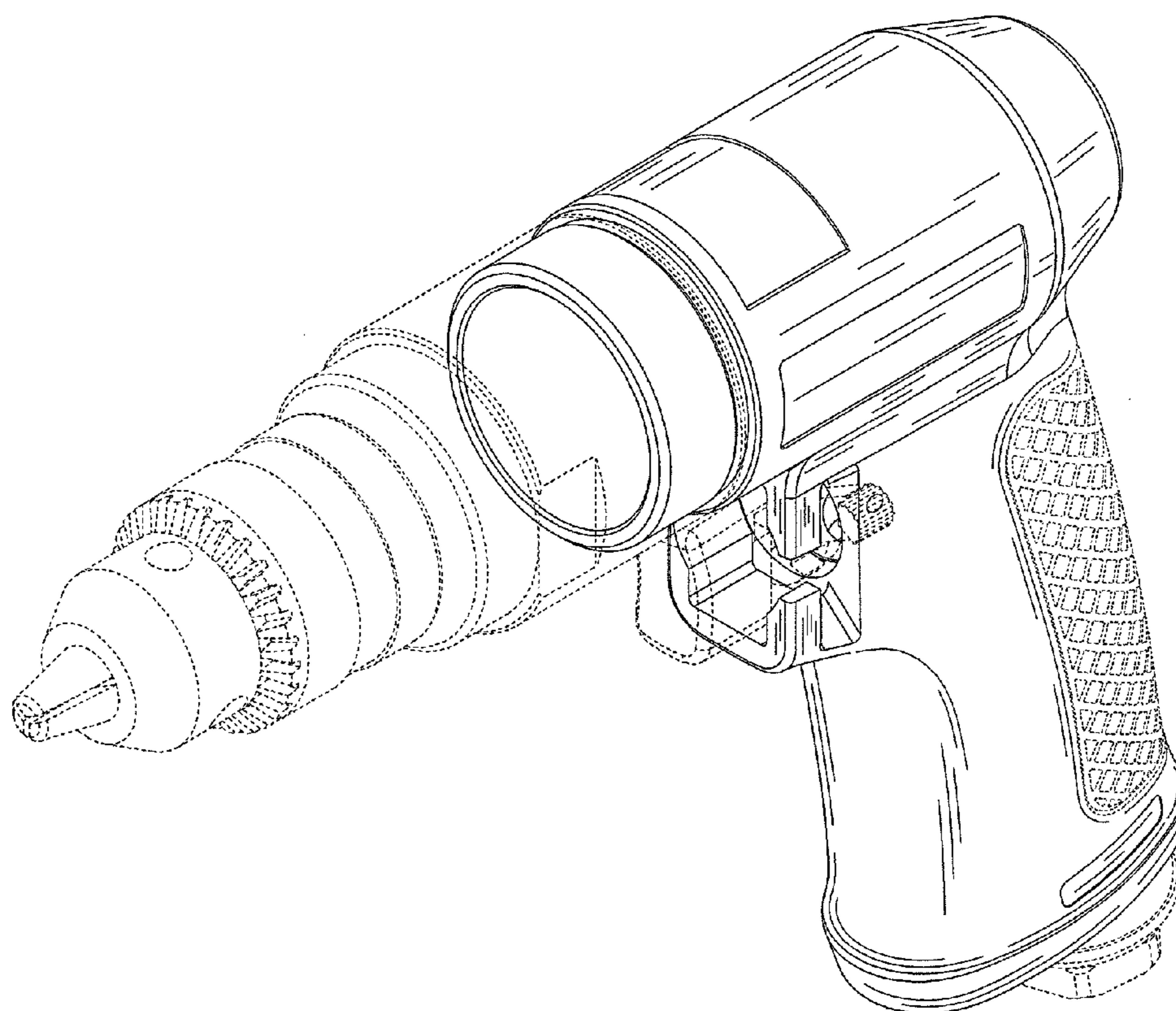


FIG. 8