



US00D727702S

(12) **United States Design Patent**
Goldy et al.

(10) **Patent No.:** **US D727,702 S**
(45) **Date of Patent:** **** Apr. 28, 2015**

(54) **BAR TOOL**

(56) **References Cited**

(71) Applicants: **Robert Goldy**, New York, NY (US);
Edwin Chan, Brooklyn, NY (US)
(72) Inventors: **Robert Goldy**, New York, NY (US);
Edwin Chan, Brooklyn, NY (US)
(73) Assignee: **Trend Right Research And**
Development Corporation, New York,
NY (US)

U.S. PATENT DOCUMENTS

899,408	A *	9/1908	Kampfe	30/408
D448,267	S *	9/2001	Jean et al.	D8/105
D469,677	S *	2/2003	Hung	D8/105
D471,421	S *	3/2003	Lang	D8/105
D477,524	S *	7/2003	Chen	D8/105
8,113,681	B2 *	2/2012	Dallas et al.	362/184
D658,964	S *	5/2012	Elsener	D8/105
D705,637	S *	5/2014	Salles	D8/105
D711,720	S *	8/2014	Vanderbeek	D8/105
D711,721	S *	8/2014	Kujawski	D8/105
2013/0192004	A1 *	8/2013	Salin et al.	7/118

(**) Term: **14 Years**

* cited by examiner

(21) Appl. No.: **29/483,506**

Primary Examiner — Elizabeth Albert

(22) Filed: **Feb. 28, 2014**

(74) *Attorney, Agent, or Firm* — Dinsmore & Shohl LLP

(51) **LOC (10) Cl.** **07-99**

(57) **CLAIM**

The ornamental design for a bar tool, as shown and described.

(52) **U.S. Cl.**
USPC **D8/34**

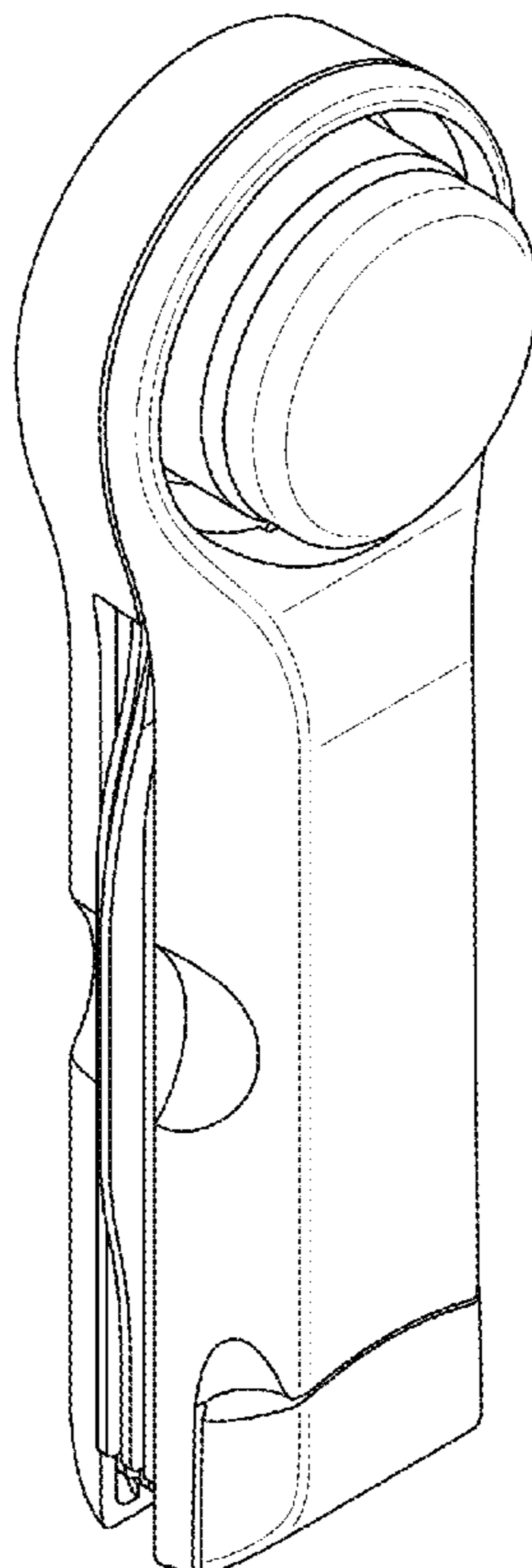
DESCRIPTION

(58) **Field of Classification Search**
USPC D8/14, 16, 18, 19, 33-43, 88, 89, 105,
D8/107; 7/112, 113, 151-156, 118;
81/3.07, 3.09, 3.2, 3.27, 3.29, 3.31,
81/3.35, 3.37, 3.4, 3.48, 3.49, 3.55

FIG. 1 is a perspective view of a bar tool showing my new design;
FIG. 2 is a front elevation view of the bar tool of FIG. 1;
FIG. 3 is a rear elevation view of the bar tool of FIG. 1;
FIG. 4 is a right side elevation view of the bar tool of FIG. 1;
FIG. 5 is a left side elevation view of the bar tool of FIG. 1;
FIG. 6 is a top plan view of the bar tool of FIG. 1; and,
FIG. 7 is a bottom plan view of the bar tool of FIG. 1.

See application file for complete search history.

1 Claim, 4 Drawing Sheets



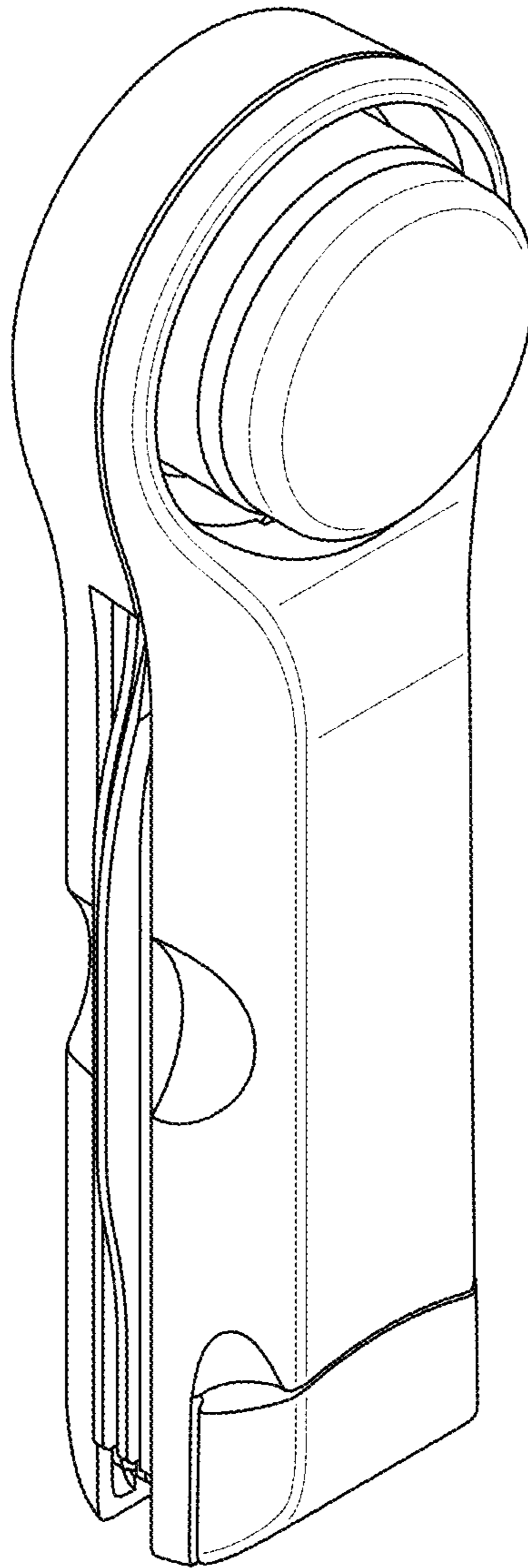


FIG. 1

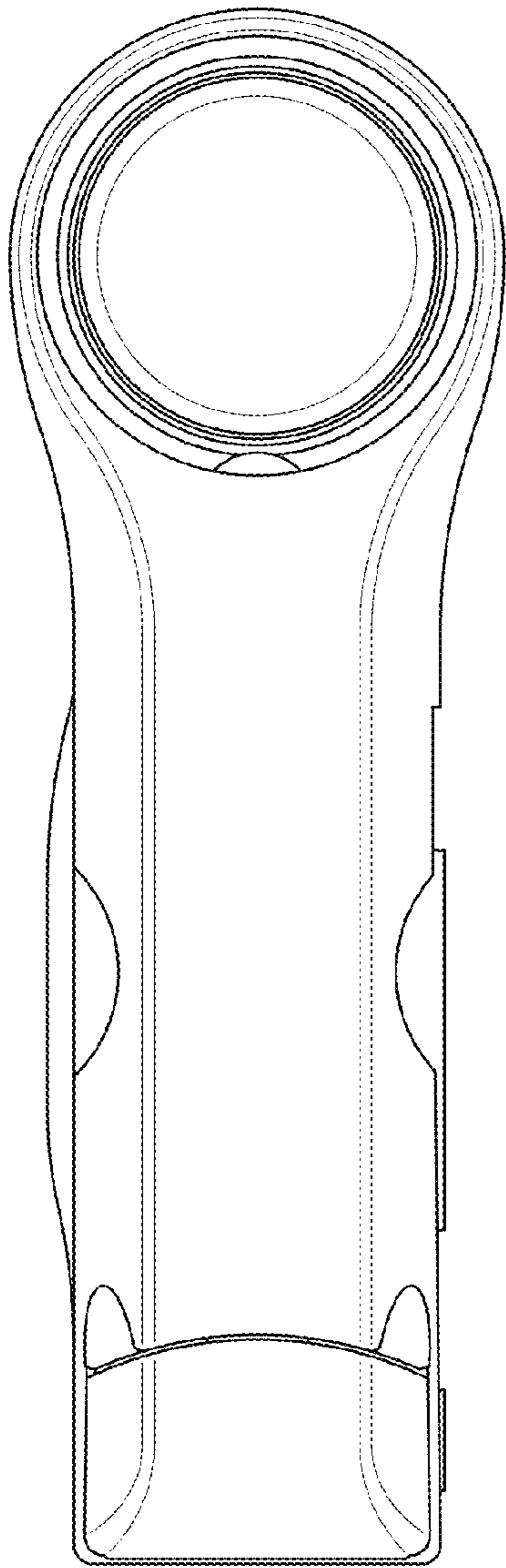


FIG. 2

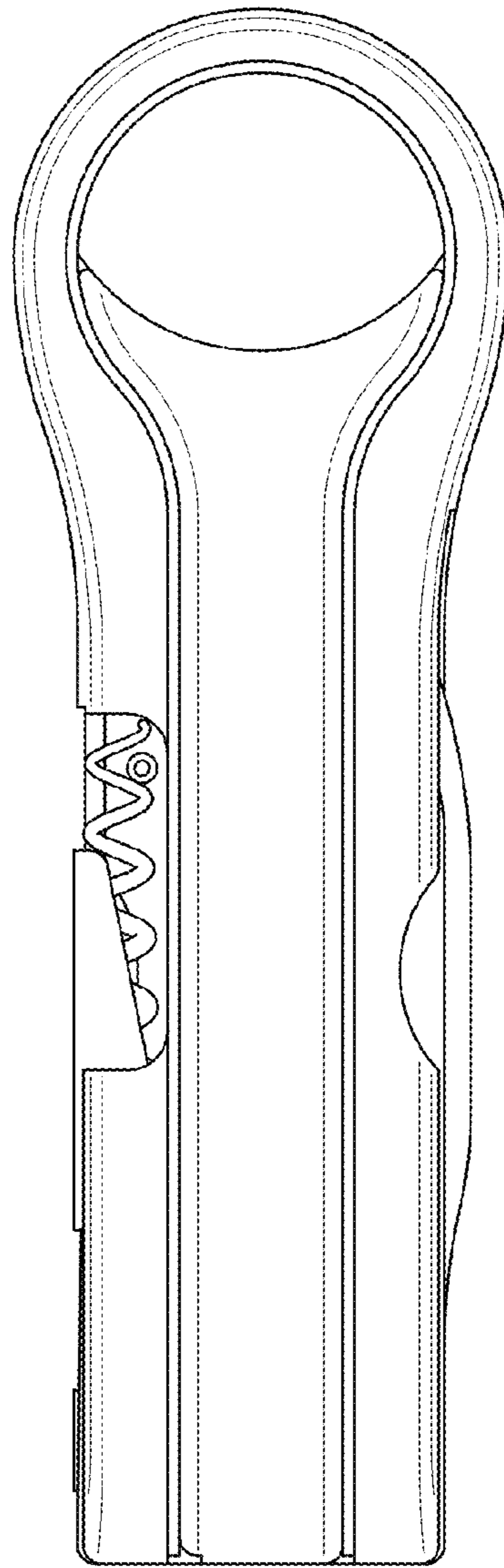


FIG. 3

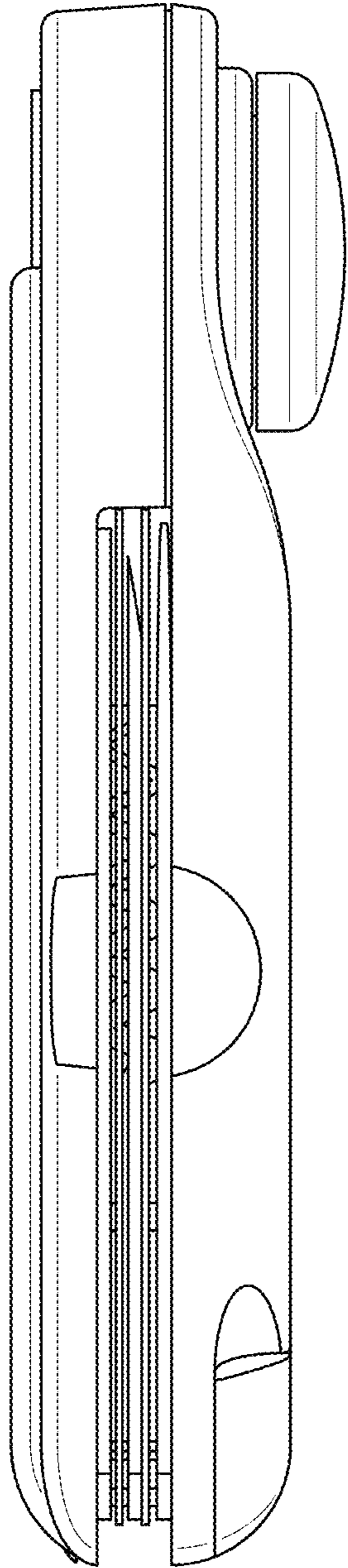


FIG. 4

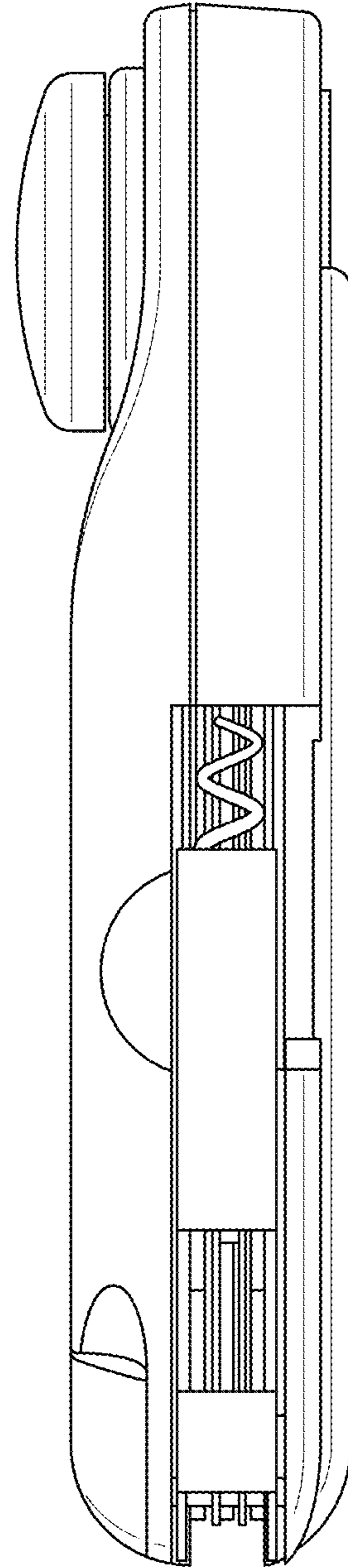


FIG. 5

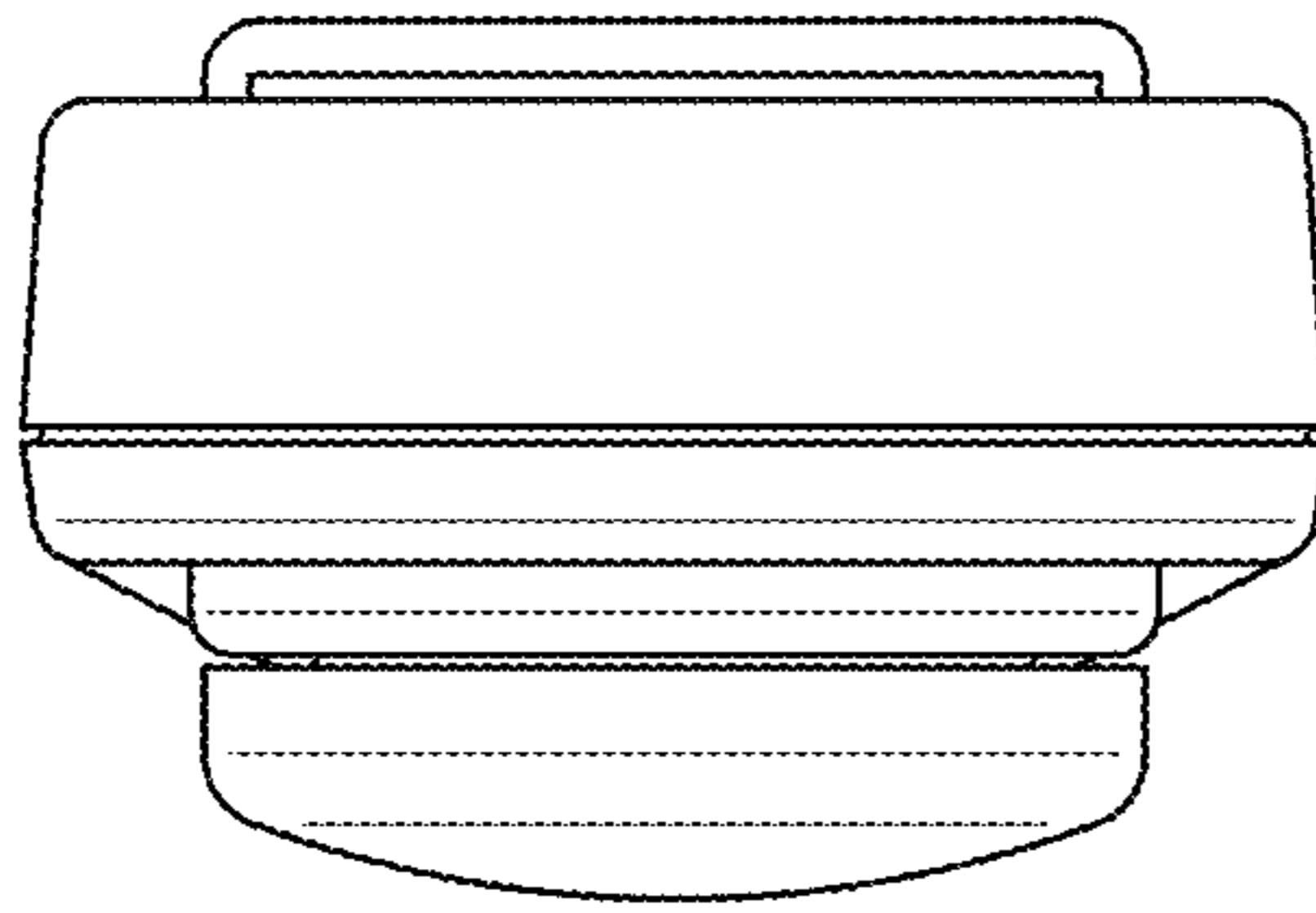


FIG. 6

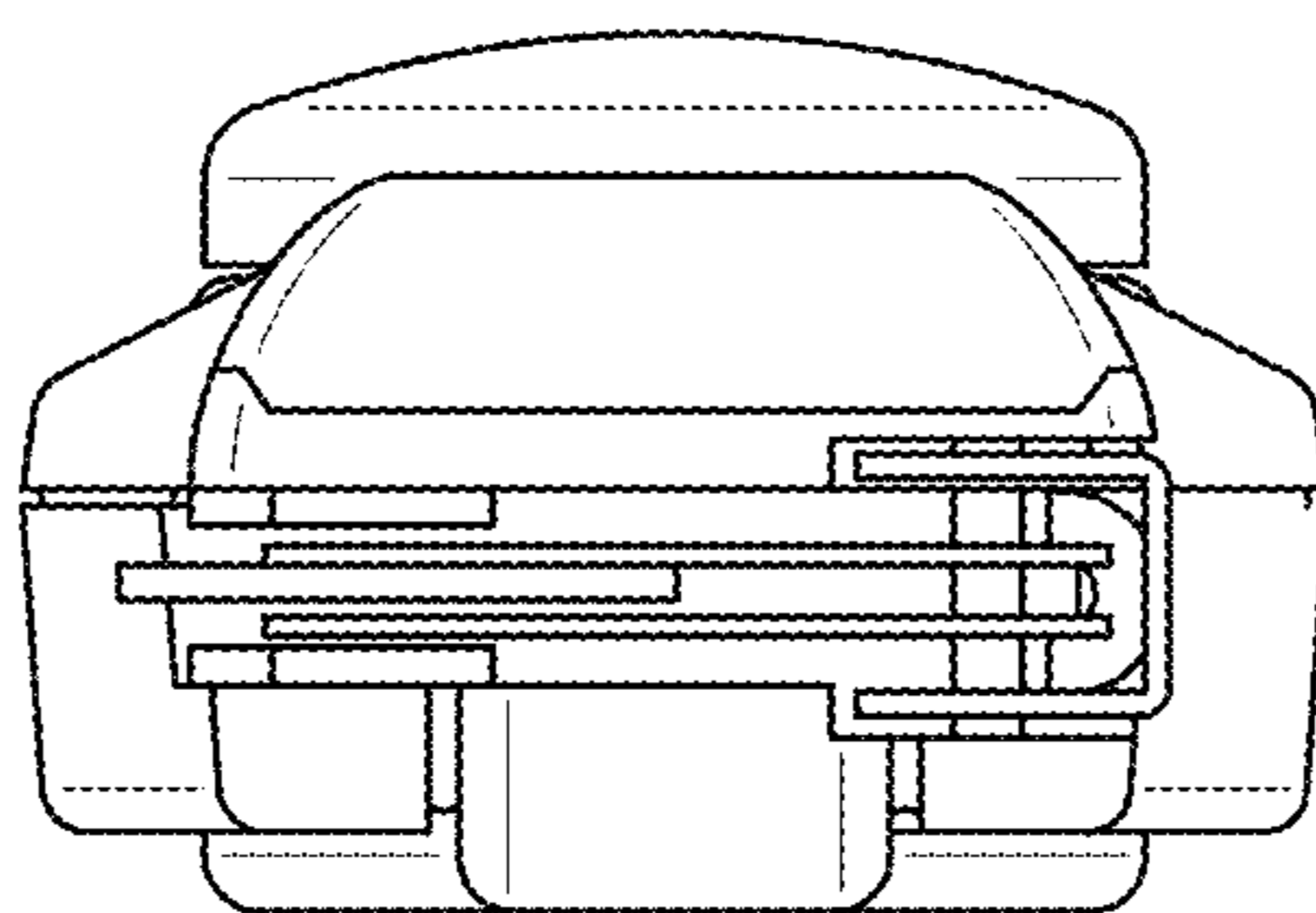


FIG. 7