



US00D727701S

(12) **United States Design Patent**  
**Goldy et al.**

(10) **Patent No.:** **US D727,701 S**  
(45) **Date of Patent:** **\*\* Apr. 28, 2015**

- (54) **BAR TOOL**
- (71) Applicants: **Robert Goldy**, New York, NY (US);  
**Edwin Chan**, Brooklyn, NY (US)
- (72) Inventors: **Robert Goldy**, New York, NY (US);  
**Edwin Chan**, Brooklyn, NY (US)
- (73) Assignee: **Trend Right Research And  
Development Corporation**, New York,  
NY (US)
- (\*\*) Term: **14 Years**
- (21) Appl. No.: **29/483,451**
- (22) Filed: **Feb. 28, 2014**
- (51) **LOC (10) Cl.** ..... **07-99**
- (52) **U.S. Cl.**  
USPC ..... **D8/34**
- (58) **Field of Classification Search**  
USPC ..... D8/14, 16, 18, 19, 33-43, 88, 89, 105,  
D8/107; 7/112, 113, 151-156, 118;  
81/3.07, 3.09, 3.2, 3.27, 3.29, 3.31,  
81/3.35, 3.37, 3.4, 3.48, 3.49, 3.55  
See application file for complete search history.

8,015,642	B1	9/2011	Oakley	
8,113,681	B2 *	2/2012	Dallas et al.	362/184
D658,964	S *	5/2012	Elsener	D8/105
8,281,437	B2	10/2012	Hunkele	
8,499,390	B2	8/2013	Danias-Borkin	
8,631,722	B1	1/2014	Davis	
D705,637	S *	5/2014	Salles	D8/105
D711,720	S *	8/2014	Vanderbeek	D8/105
2013/0160213	A1	6/2013	Salles	
2013/0192004	A1 *	8/2013	Salin et al.	7/118

**OTHER PUBLICATIONS**

The Original BarBack Beverage Multi-Tool Advertisement; <http://www.originalbarback.com/>, Feb 7, 2014.  
Mr. Bartender and Bar Laddie Combination Advertisement, Milwaukee Sentinel Newspaper, Dec. 4, 1954, p. 3.

\* cited by examiner

*Primary Examiner* — Elizabeth Albert

(74) *Attorney, Agent, or Firm* — Dinsmore & Shohl LLP

(56) **References Cited**

**U.S. PATENT DOCUMENTS**

899,408	A *	9/1908	Kampfe	30/408
D448,267	S *	9/2001	Jean et al.	D8/105
D469,677	S *	2/2003	Hung	D8/105
D471,421	S *	3/2003	Lang	D8/105
D477,524	S *	7/2003	Chen	D8/105
7,290,896	B2 *	11/2007	Dallas et al.	362/184
D623,915	S *	9/2010	Willoughby	D8/40

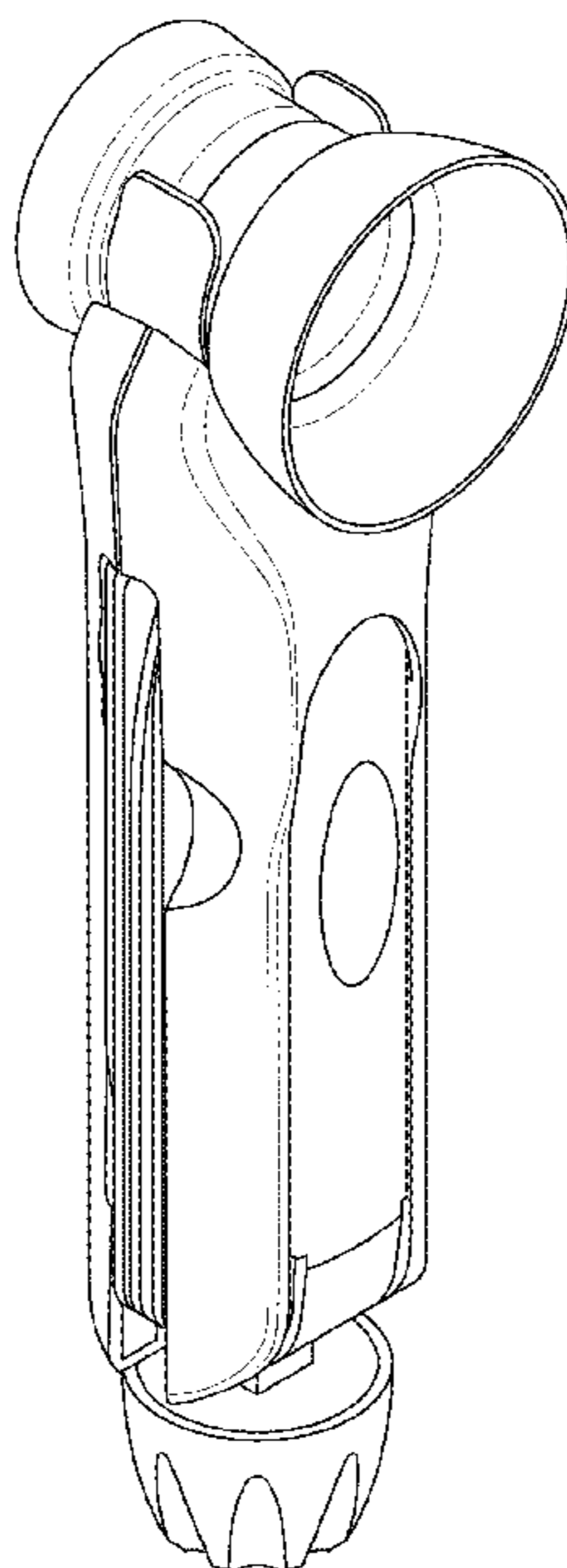
(57) **CLAIM**

The ornamental design for a bar tool, as shown and described.

**DESCRIPTION**

FIG. 1 is a perspective view of a bar tool showing my new design;  
FIG. 2 is a front elevation view of the bar tool of FIG. 1;  
FIG. 3 is a rear elevation view of the bar tool of FIG. 1;  
FIG. 4 is a right side elevation view of the bar tool of FIG. 1  
FIG. 5 is a left side elevation view of the bar tool of FIG. 1;  
FIG. 6 is a top plan view of the bar tool of FIG. 1; and,  
FIG. 7 is a bottom plan view of the bar tool of FIG. 1.

**1 Claim, 4 Drawing Sheets**



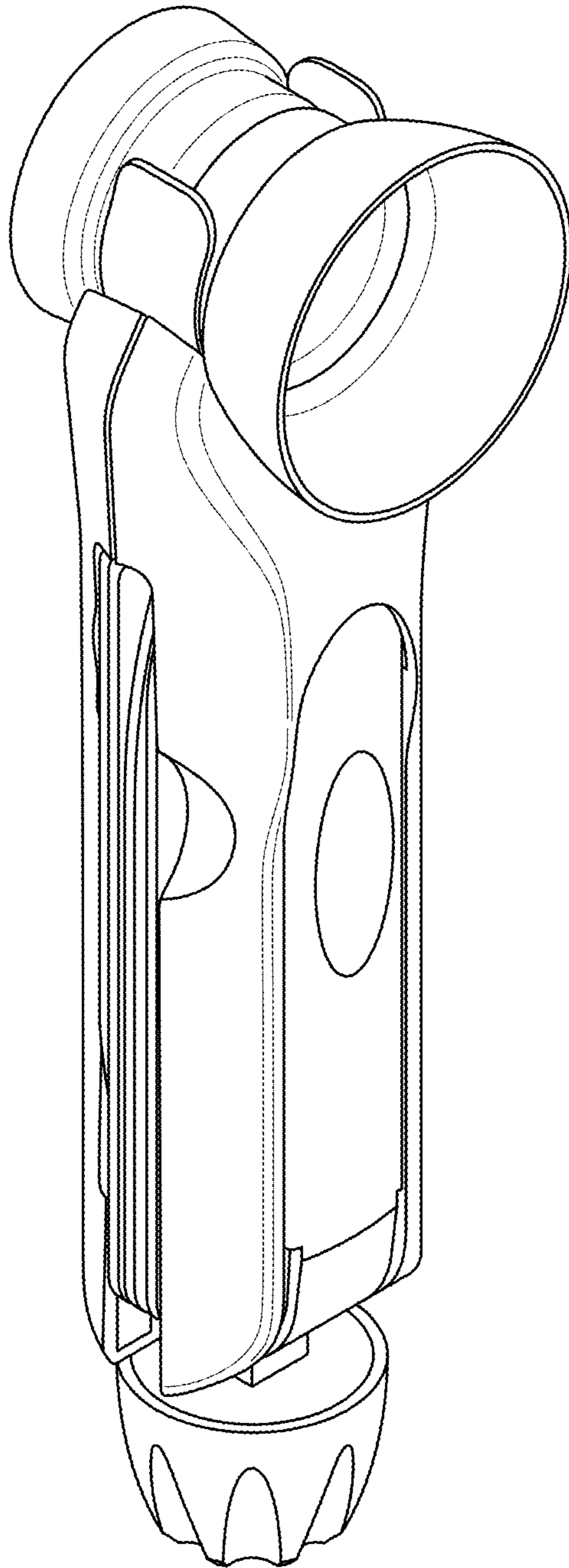


FIG. 1

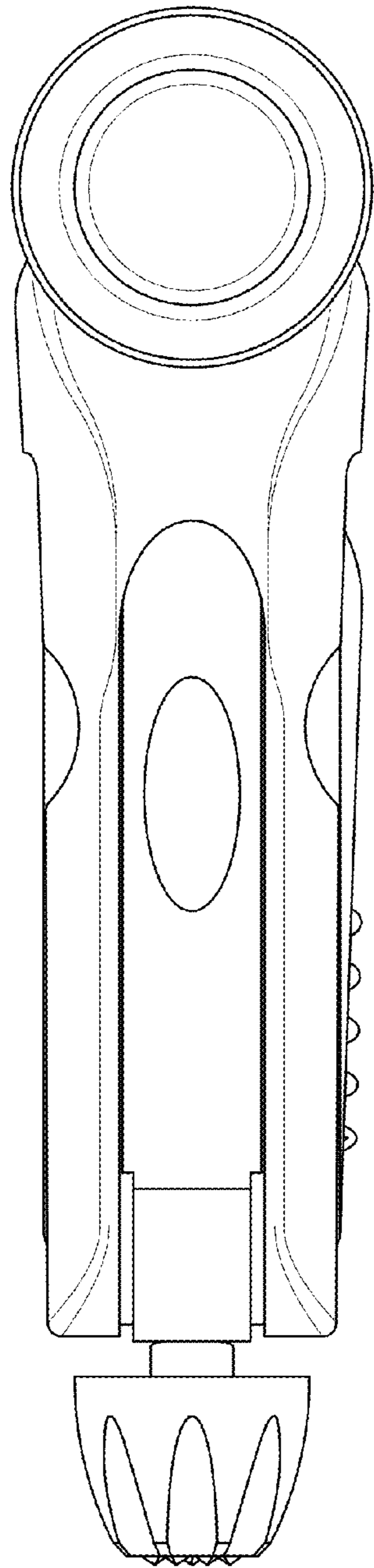


FIG. 2

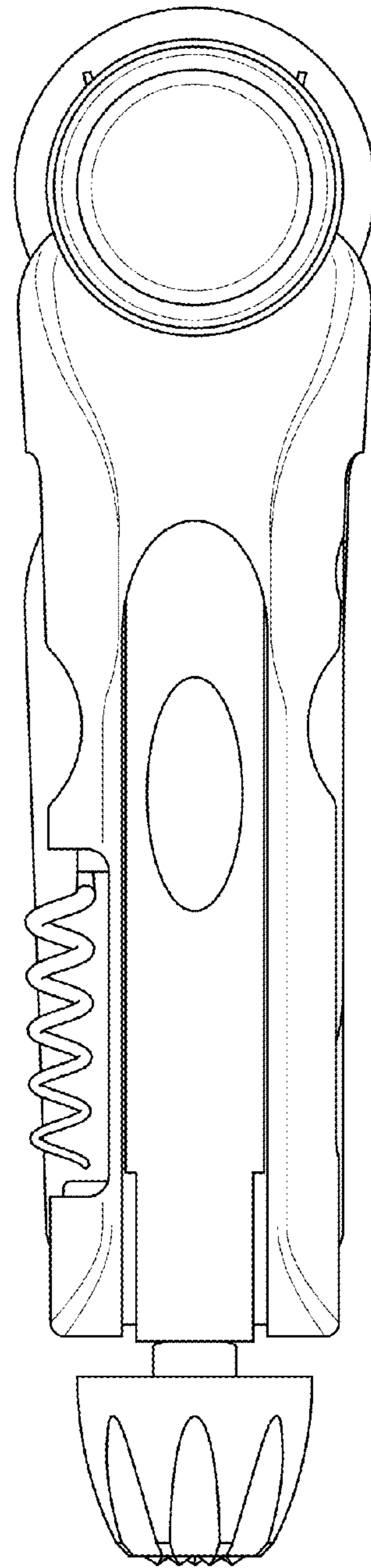


FIG. 3

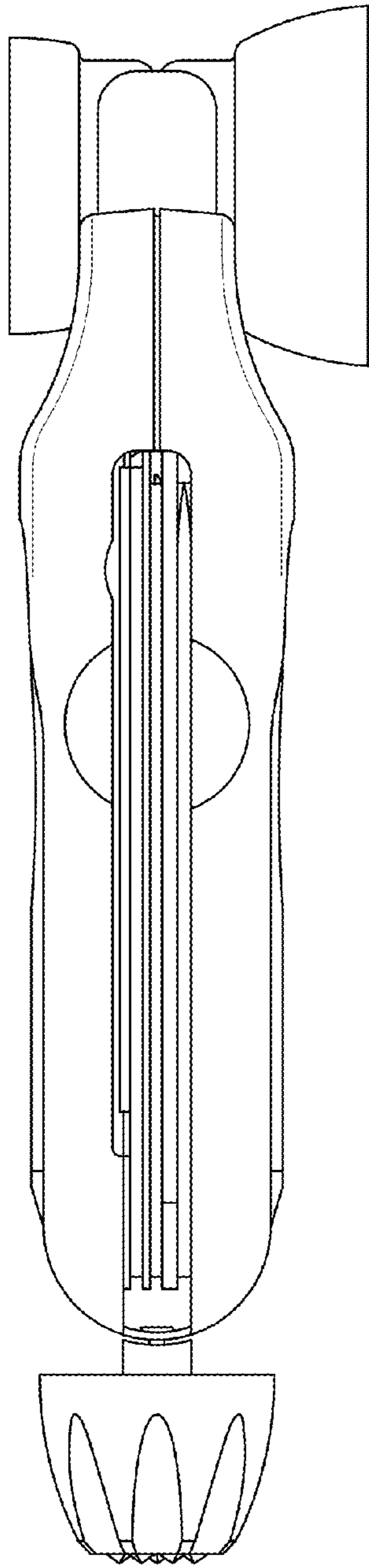


FIG. 4

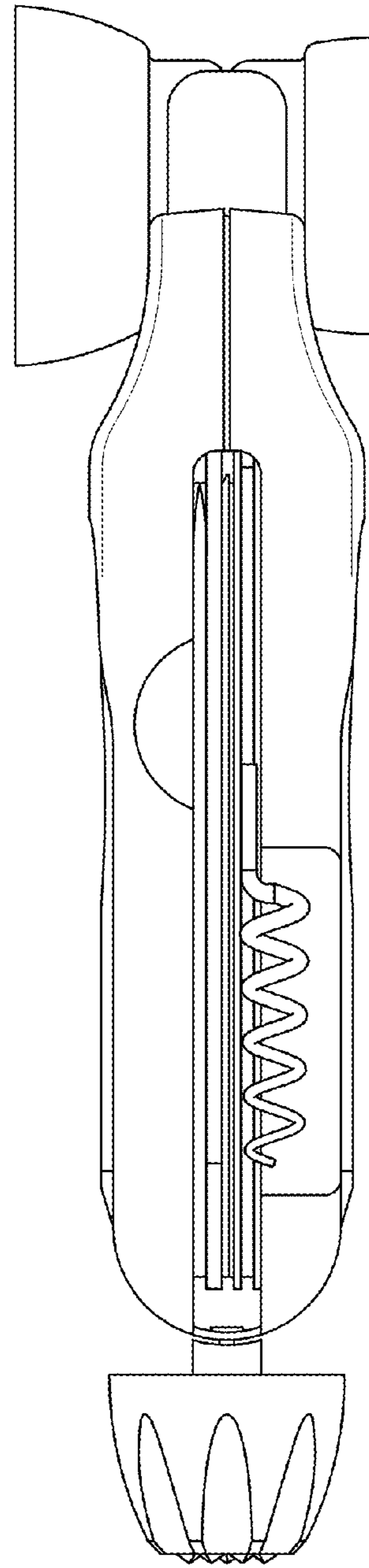


FIG. 5

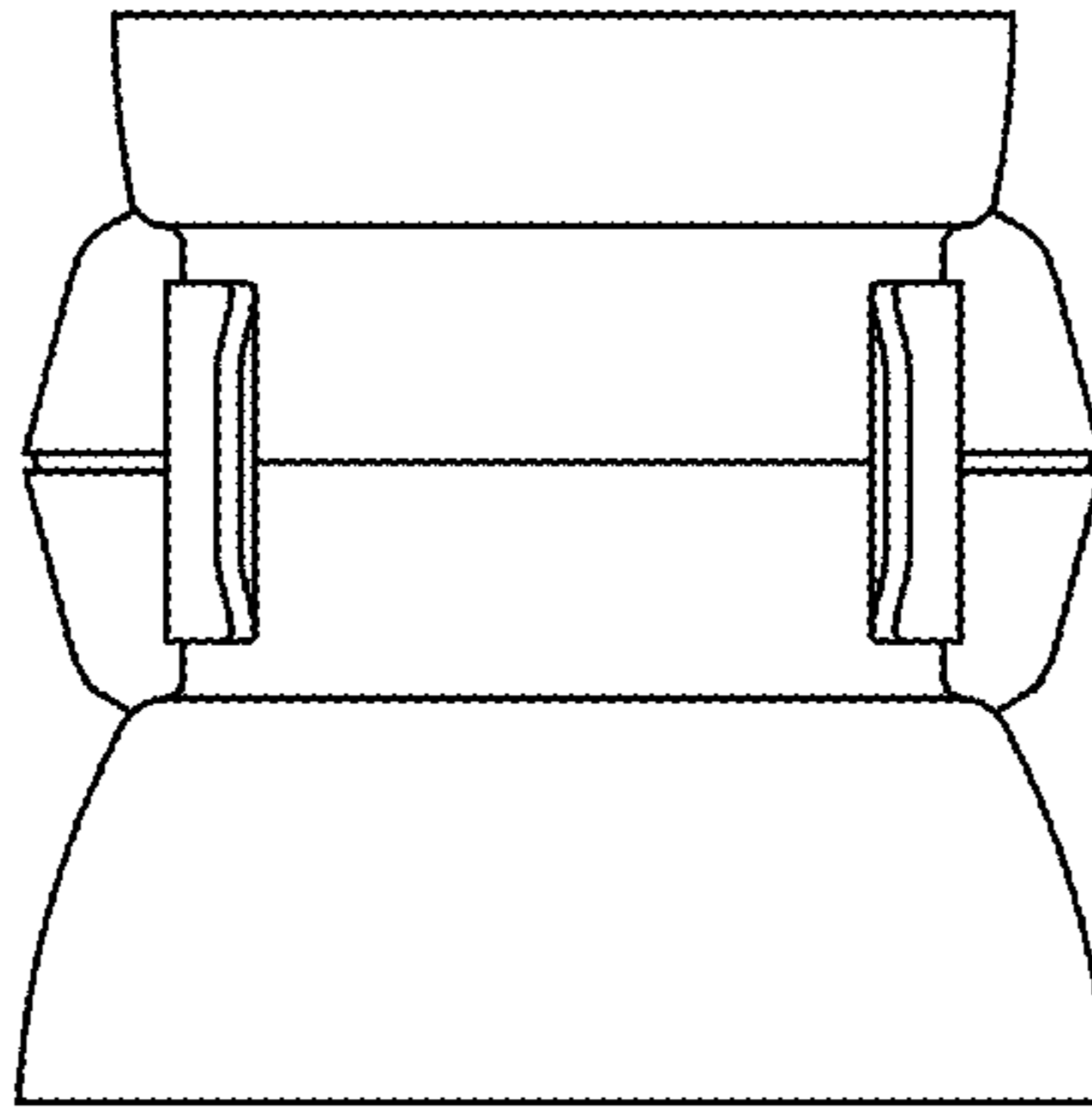


FIG. 6

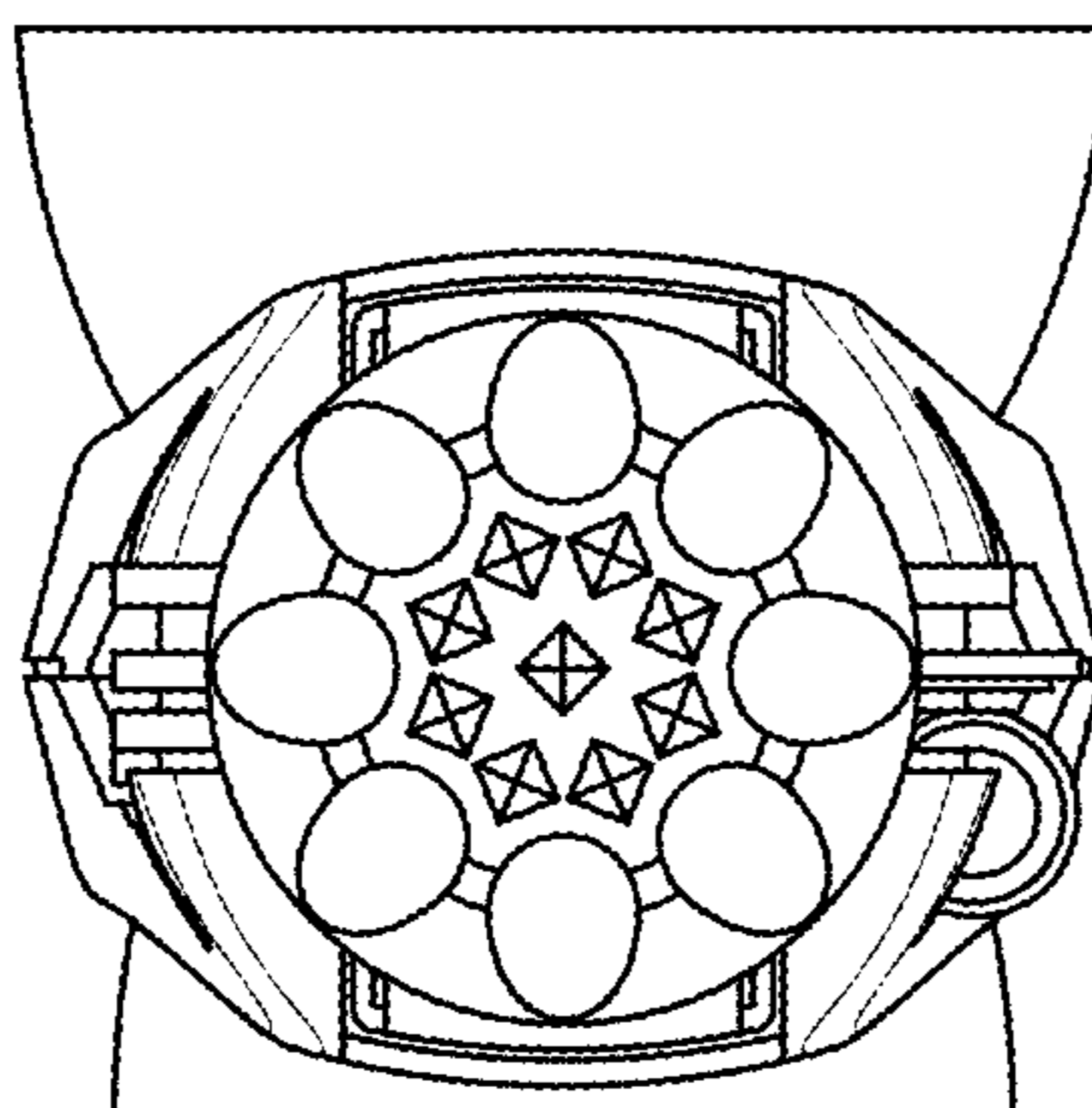


FIG. 7