



US00D727700S

(12) **United States Design Patent**
Huang

(10) **Patent No.:** **US D727,700 S**

(45) **Date of Patent:** **** Apr. 28, 2015**

(54) **TIRE TOOL**

(71) Applicant: **Poul Chang Metal Industry Co., Ltd.**,
Taichung (TW)

(72) Inventor: **Chia-Hao Huang**, Taichung (TW)

(73) Assignee: **Poul Chang Metal Industry Co., Ltd.**,
Taichung (TW)

(**) Term: **14 Years**

(21) Appl. No.: **29/459,486**

(22) Filed: **Jun. 30, 2013**

(51) **LOC (10) Cl.** **08-05**

(52) **U.S. Cl.**
USPC **D8/31**

(58) **Field of Classification Search**
USPC D8/14, 31, 88, 89; 81/15.2; 7/100;
157/1.3

See application file for complete search history.

(56) **References Cited**

U.S. PATENT DOCUMENTS

D277,640 S *	2/1985	Drexler	D8/88
5,343,921 A *	9/1994	Kusner	157/1.3
D395,809 S *	7/1998	Brown et al.	D8/31
D487,683 S *	3/2004	Kliskey	D8/31

* cited by examiner

Primary Examiner — Sheryl Lane

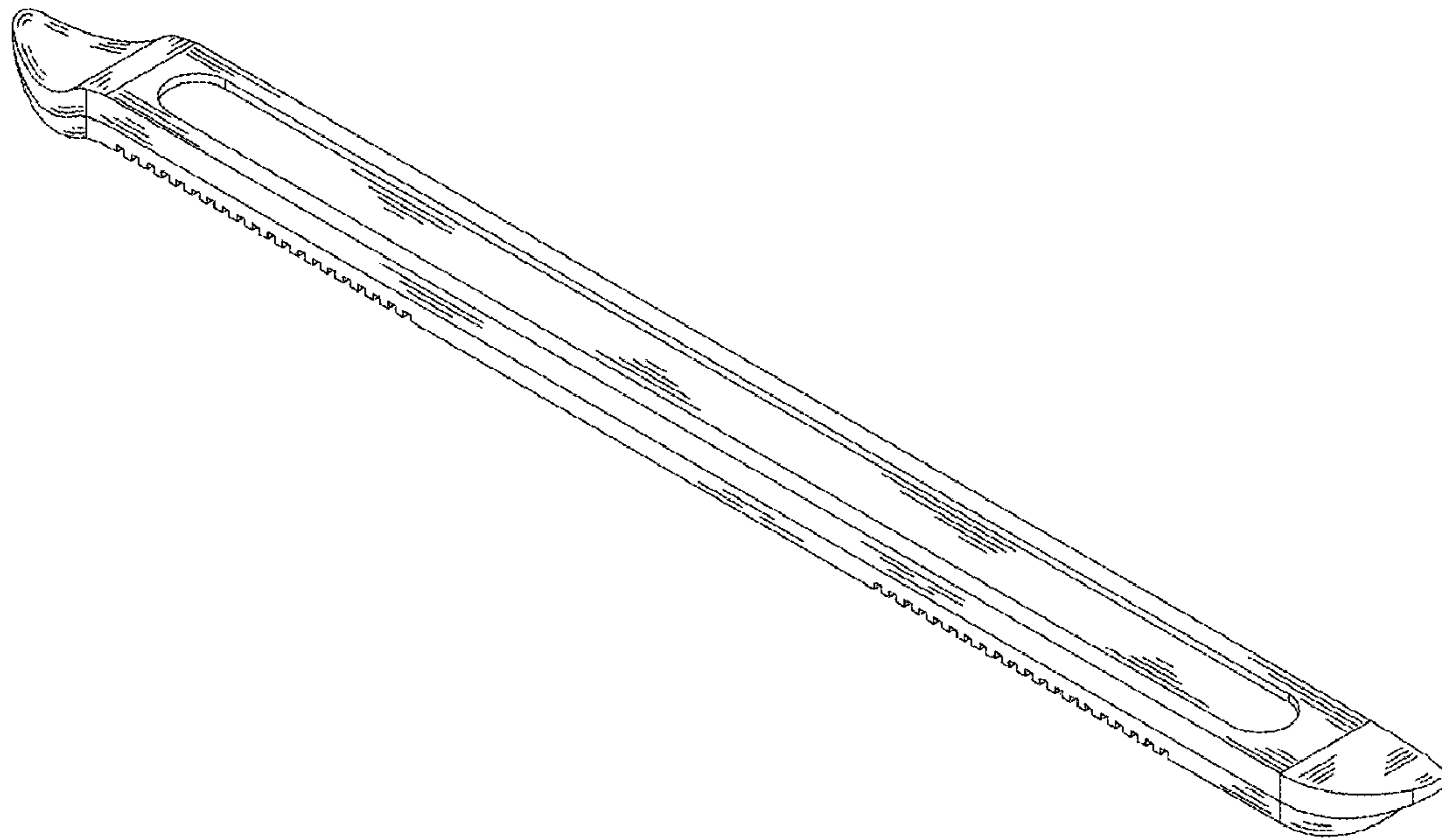
(57) **CLAIM**

The ornamental design for a tire tool, as shown and described.

DESCRIPTION

FIG. 1 is a perspective view of a tire tool showing my new design;
FIG. 2 is a front side view thereof;
FIG. 3 is a back side view thereof;
FIG. 4 is a left side view thereof;
FIG. 5 is a right side view thereof;
FIG. 6 is a top plan view thereof; and,
FIG. 7 is a bottom plan view thereof.

1 Claim, 4 Drawing Sheets



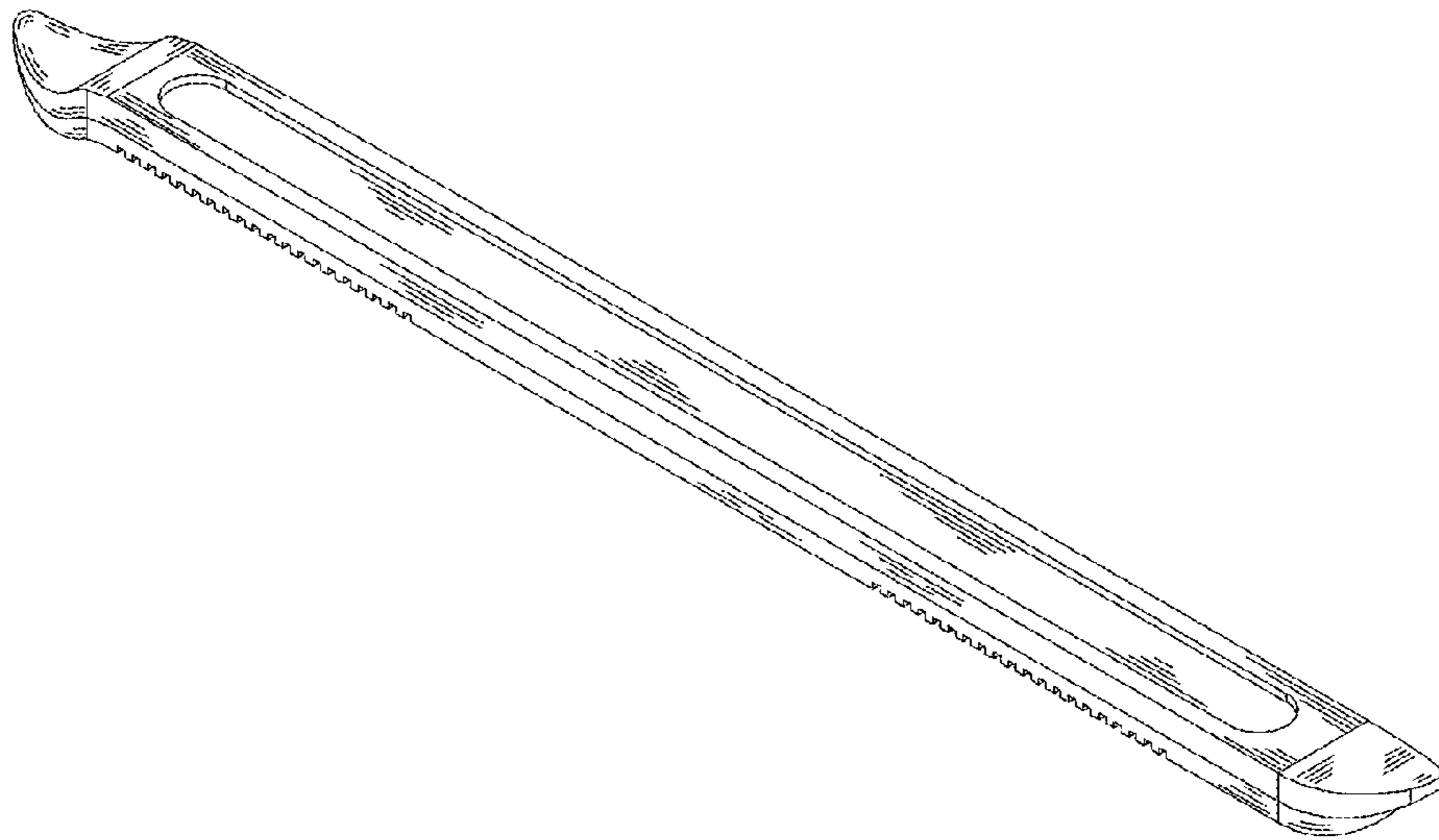


FIG. 1

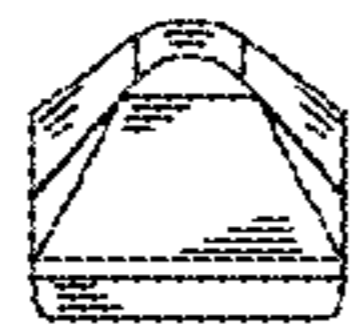


FIG. 2

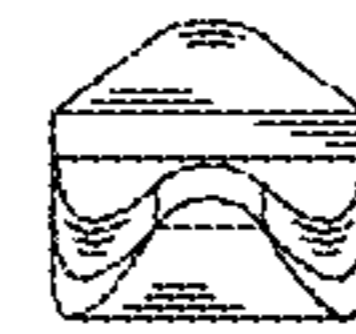


FIG. 3

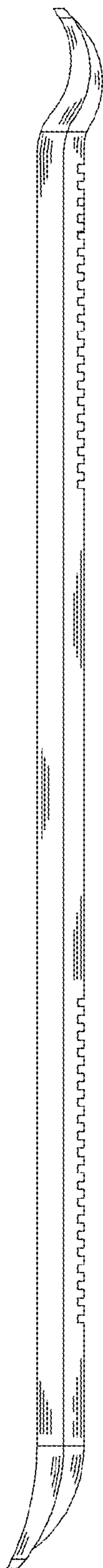


FIG. 4

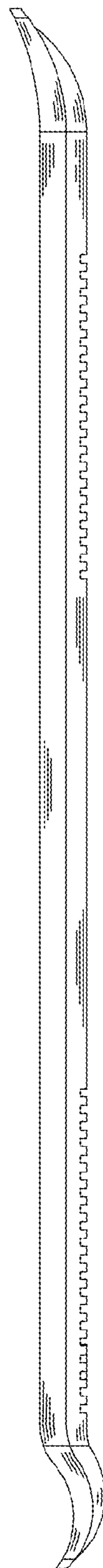


FIG. 5

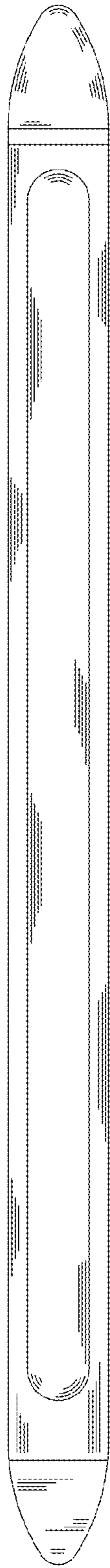


FIG. 6

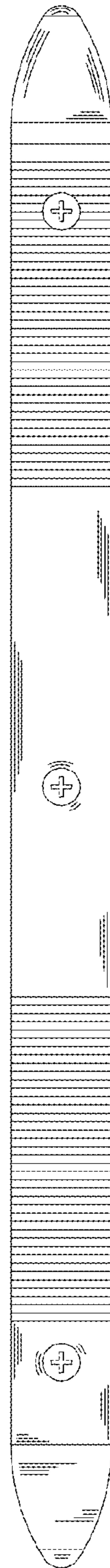


FIG. 7