



US00D727699S

(12) **United States Design Patent**
Chen

(10) **Patent No.:** **US D727,699 S**
(45) **Date of Patent:** **** Apr. 28, 2015**

- (54) **WRENCH**
- (71) Applicant: **Yi-Fu Chen**, Taichung (TW)
- (72) Inventor: **Yi-Fu Chen**, Taichung (TW)
- (**) Term: **14 Years**
- (21) Appl. No.: **29/441,829**
- (22) Filed: **Jan. 10, 2013**
- (51) **LOC (10) Cl.** **08-05**
- (52) **U.S. Cl.**
USPC **D8/27; D8/28**
- (58) **Field of Classification Search**
CPC B25B 13/02; B25B 13/08
USPC D8/17, 21-29; 81/58, 58.2, 119, 124.2,
81/124.4, 125.1, 186
See application file for complete search history.

- 7,387,052 B2 * 6/2008 Chang et al. 81/177.1
- D599,179 S * 9/2009 Robinson et al. D8/22
- 7,631,582 B2 * 12/2009 Hu 81/177.1

* cited by examiner

Primary Examiner — Randall Gholson

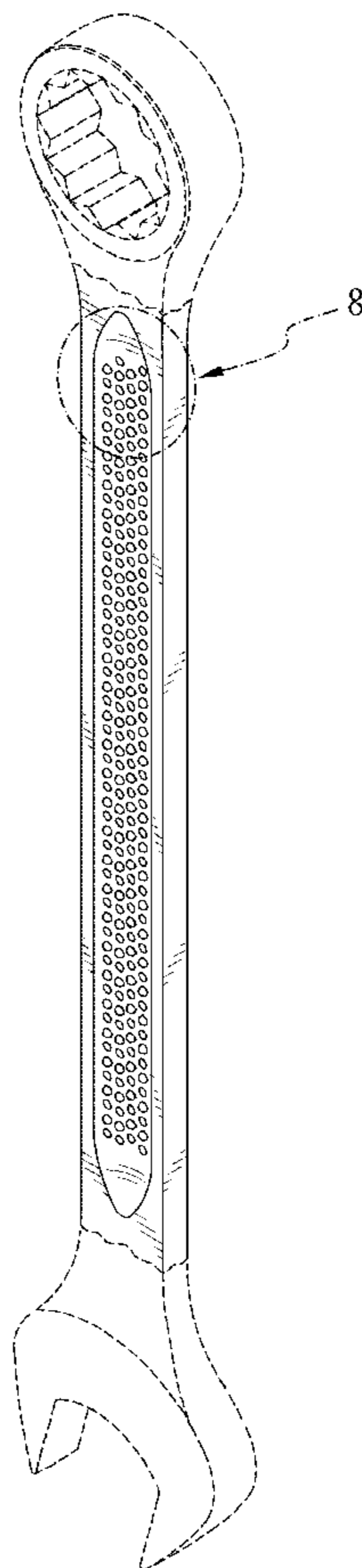
(57) **CLAIM**
The ornamental design for a wrench, as shown and described.

DESCRIPTION

FIG. 1 is a perspective view of a wrench showing my new design;
 FIG. 2 is a front elevational view thereof;
 FIG. 3 is a rear elevational view thereof;
 FIG. 4 is a left side view thereof;
 FIG. 5 is a right side view thereof;
 FIG. 6 is a top plan view thereof;
 FIG. 7 is a bottom plan view thereof;
 FIG. 8 is an enlarged perspective view of the ornamental design for a wrench of a circle 8 shown in FIG. 1; and,
 FIG. 9 is an enlarged cross-sectional view of the ornamental design for a wrench along a line 9-9 shown in FIG. 2.
 The broken lines depict portions of the wrench that form no part of the claimed design.

- (56) **References Cited**
U.S. PATENT DOCUMENTS
6,182,538 B1 * 2/2001 Chen 81/177.1
D476,868 S * 7/2003 Wright et al. D8/28
D562,653 S * 2/2008 Hu et al. D8/27
D567,041 S * 4/2008 Wu D8/27
7,380,483 B2 * 6/2008 Hu 81/176.1

1 Claim, 6 Drawing Sheets



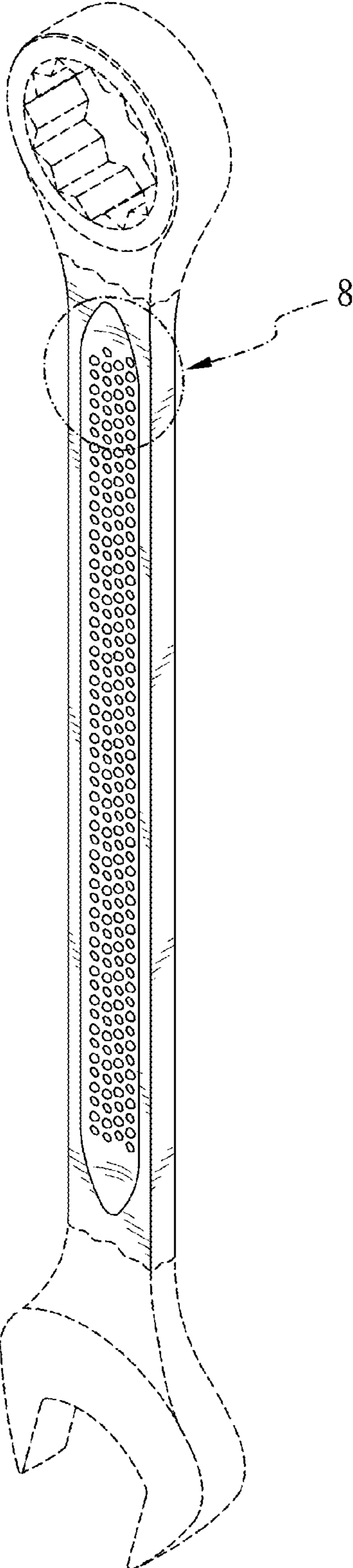


FIG. 1

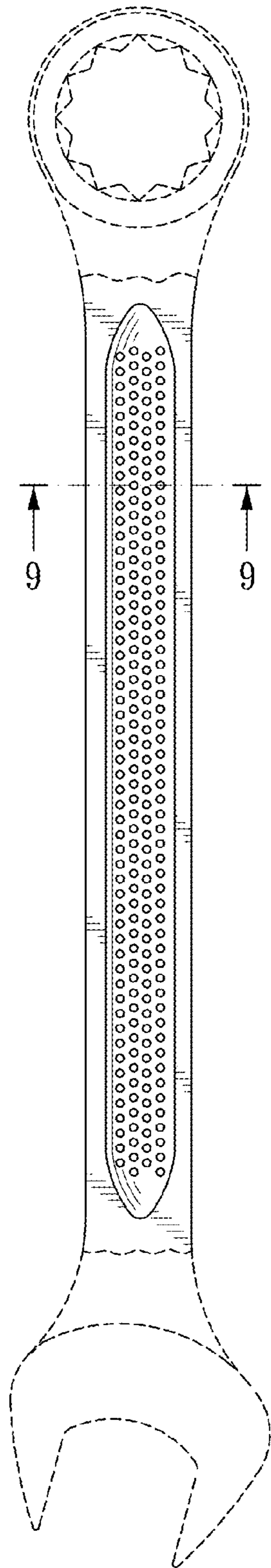


FIG. 2

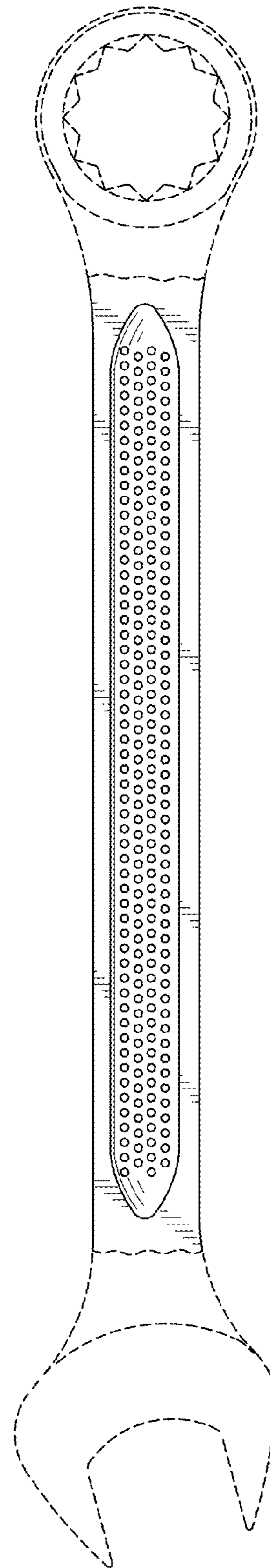


FIG. 3

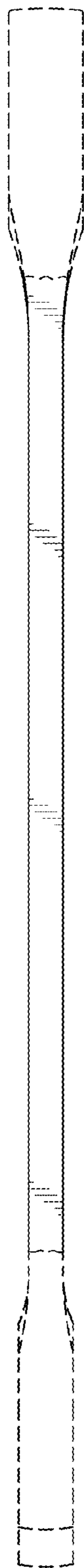


FIG. 4

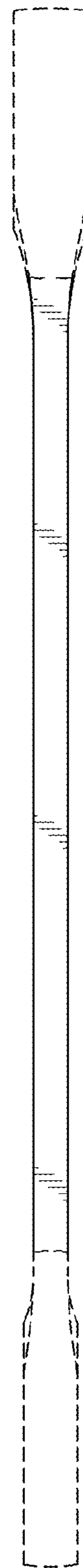


FIG. 5



FIG. 6

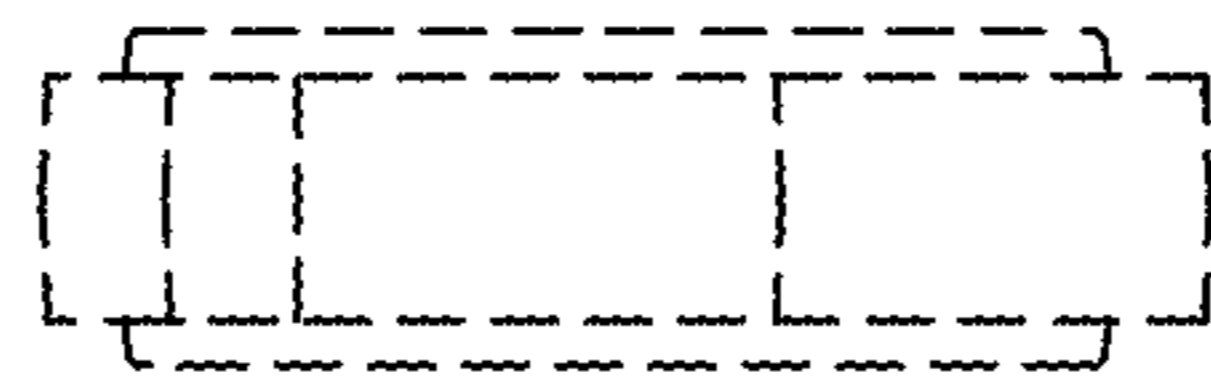


FIG. 7

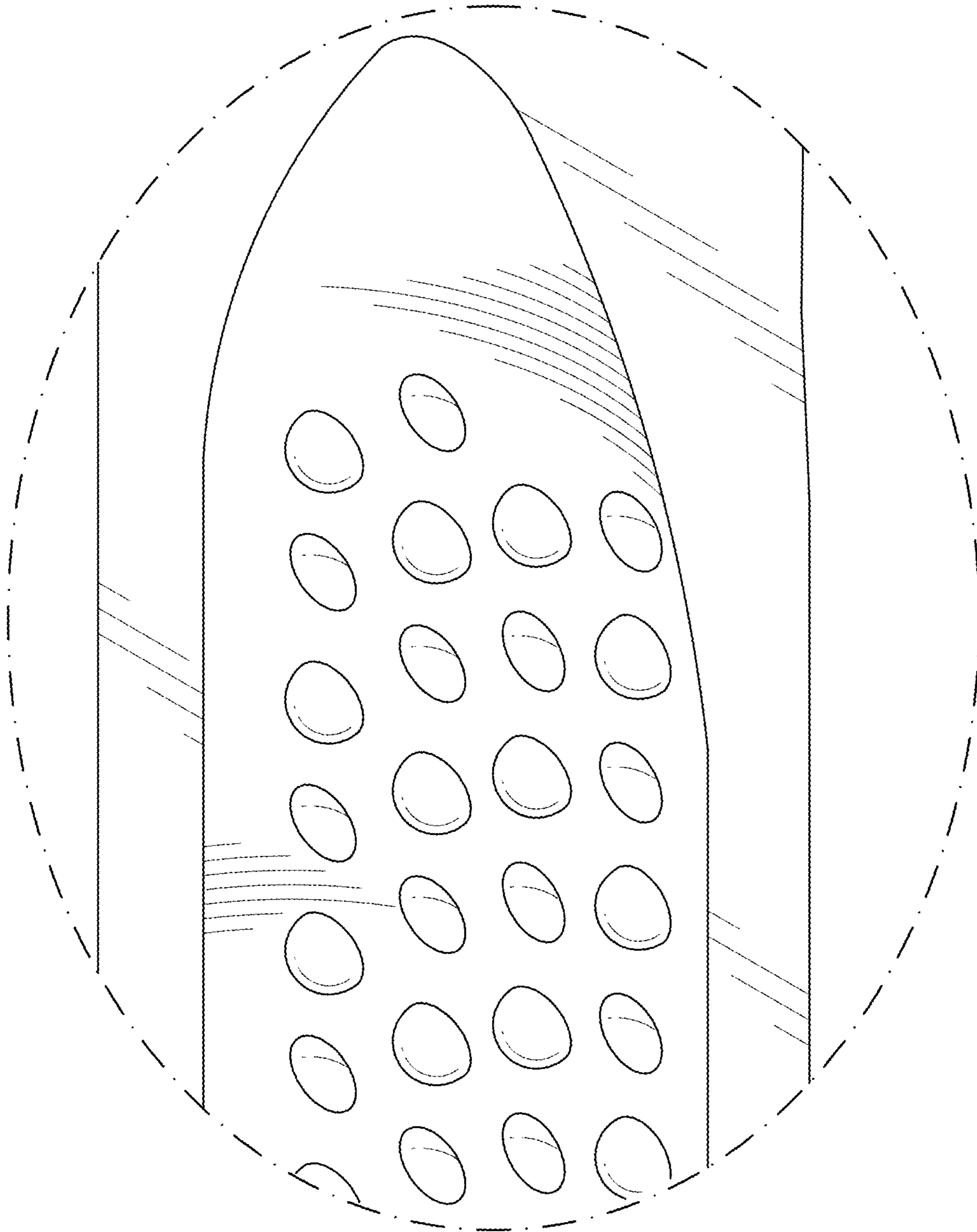


FIG. 8

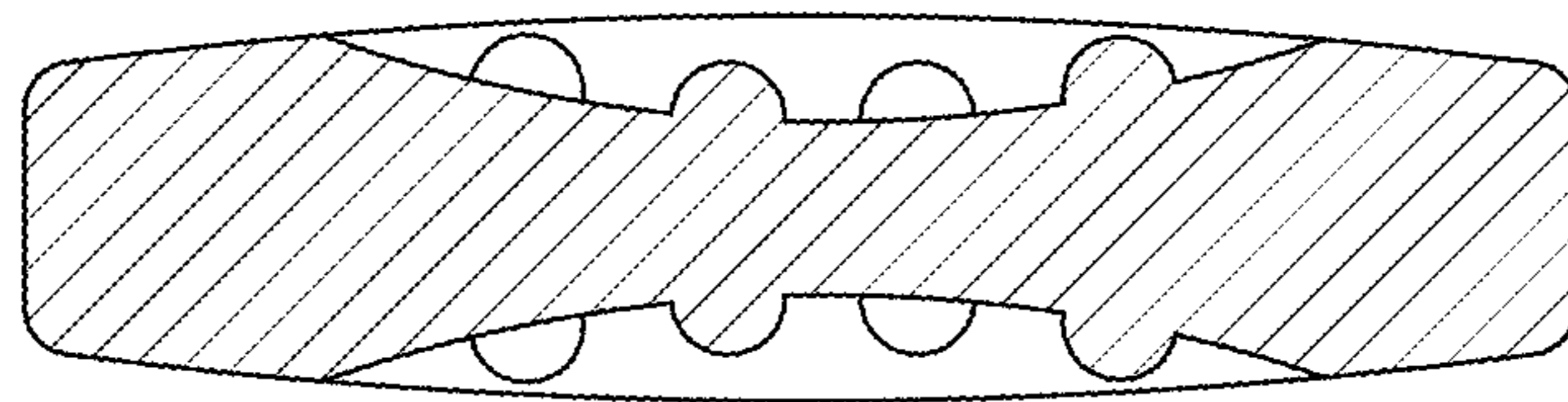


FIG. 9