



US00D727695S

(12) **United States Design Patent**  
**Tinius**

(10) **Patent No.:** **US D727,695 S**

(45) **Date of Patent:** **\*\* Apr. 28, 2015**

(54) **CUTTING HEAD**

(71) Applicant: **Andreas Stihl AG & Co. KG**,  
Waiblingen (DE)

(72) Inventor: **Michael Tinius**, Ulm (DE)

(73) Assignee: **Andreas Stihl AG & Co. KG**,  
Waiblingen (DE)

(\*\*) Term: **14 Years**

(21) Appl. No.: **29/444,649**

(22) Filed: **Feb. 1, 2013**

(30) **Foreign Application Priority Data**

Sep. 7, 2012 (EP) ..... 002098970-0003

(51) **LOC (10) Cl.** ..... **08-01**

(52) **U.S. Cl.**  
USPC ..... **D8/8; D15/17**

(58) **Field of Classification Search**  
USPC ..... D15/1, 16, 17, 28; D8/1, 7, 8, 9;  
30/276, 347, 208-210, 228, 282, 283;  
56/127, 295, 12.7, 233, 234, DIG. 17;  
12/56.7, 295  
See application file for complete search history.

(56) **References Cited**

**U.S. PATENT DOCUMENTS**

D254,173 S \* 2/1980 Proulx ..... D8/8  
D298,905 S \* 12/1988 Petherick et al. .... D8/8  
D335,674 S \* 5/1993 Hoshino ..... D15/18

D340,462 S \* 10/1993 Cowart ..... D15/17  
D346,727 S \* 5/1994 Eriksson ..... D8/8  
D362,600 S \* 9/1995 Kiyooka et al. .... D8/8  
5,577,374 A \* 11/1996 Huston ..... 56/12.1  
D460,904 S \* 7/2002 Riley et al. .... D8/8  
D465,975 S \* 11/2002 Iacona ..... D8/8  
D479,961 S \* 9/2003 Iacona ..... D8/8  
D482,581 S \* 11/2003 Nystrom ..... D8/8  
D482,941 S \* 12/2003 Nystrom ..... D8/8  
D502,368 S \* 3/2005 Nystrom et al. .... D8/8  
D560,107 S \* 1/2008 Grey ..... D8/8  
D597,804 S \* 8/2009 Alliss ..... D8/8  
D598,254 S \* 8/2009 Alliss ..... D8/8  
D598,255 S \* 8/2009 Alliss ..... D8/8  
7,882,642 B2 \* 2/2011 Proulx ..... 30/276  
D653,920 S \* 2/2012 Cigarini ..... D8/8  
D715,608 S \* 10/2014 Cigarini ..... D8/8

\* cited by examiner

*Primary Examiner* — Mark Goodwin

(74) *Attorney, Agent, or Firm* — McGuireWoods LLP

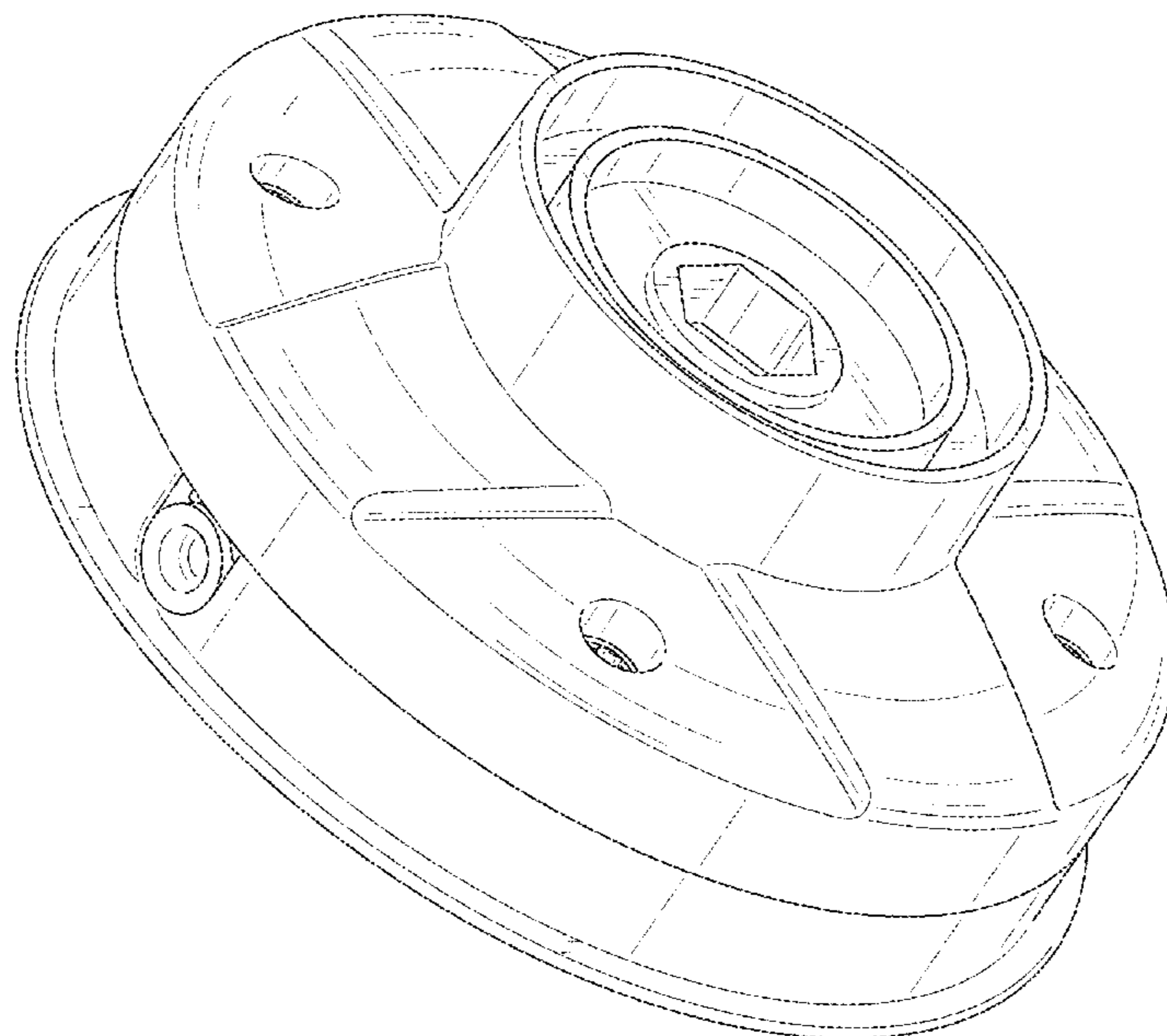
(57) **CLAIM**

I claim the ornamental design for a cutting head, as shown and described.

**DESCRIPTION**

FIG. 1 is a left side perspective view of the cutting head;  
FIG. 2 is a front side view of the cutting head shown in FIG. 1;  
FIG. 3 is a rear side view of the cutting head shown in FIG. 1;  
FIG. 4 is a left side -view of the cutting head shown in FIG. 1;  
FIG. 5 is a right side of the cutting head shown in FIG. 1;  
FIG. 6 is a top view of the cutting head shown in FIG. 1; and,  
FIG. 7 is a bottom view of the cutting head shown in FIG. 1.

**1 Claim, 7 Drawing Sheets**



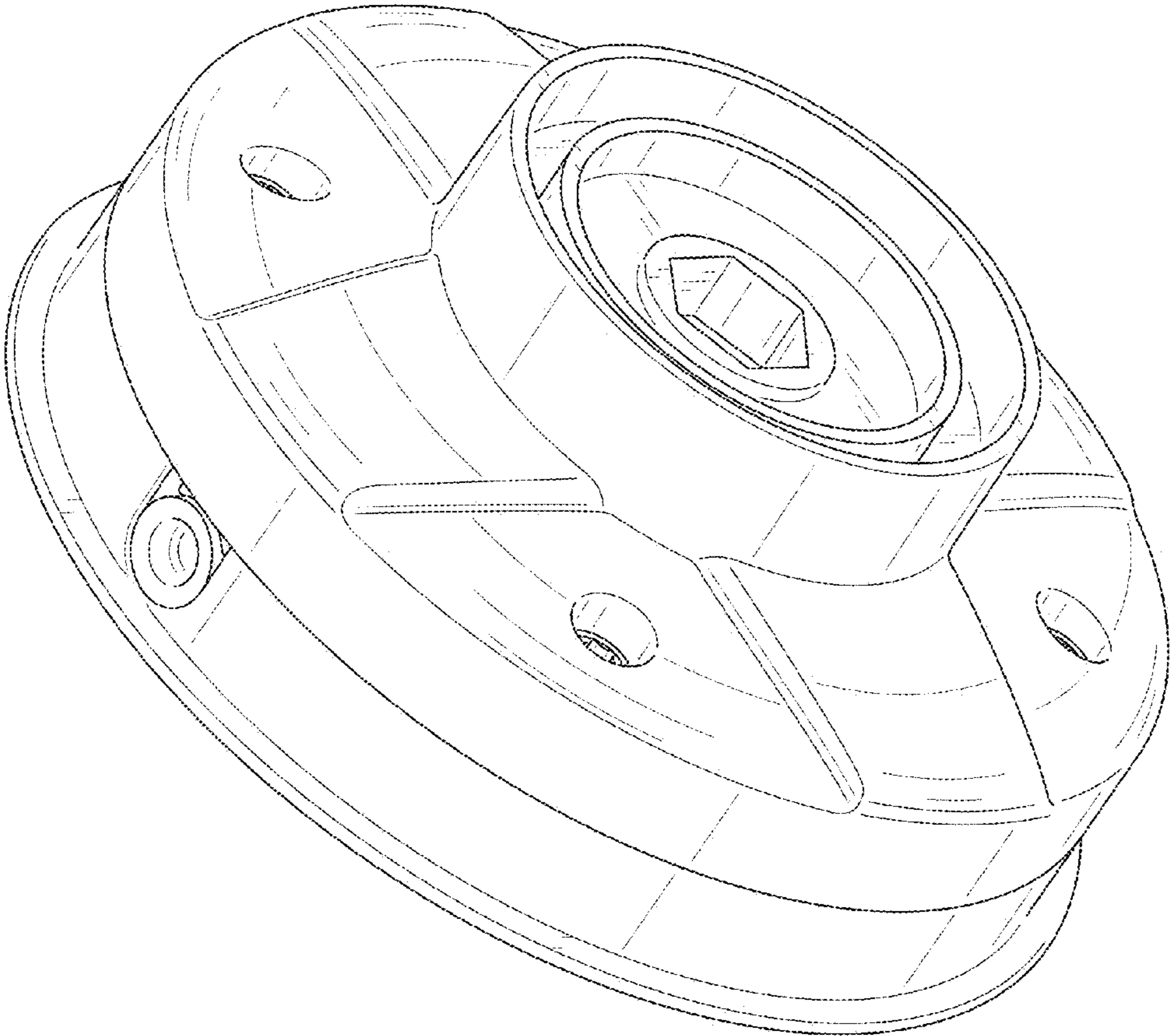


FIG. 1

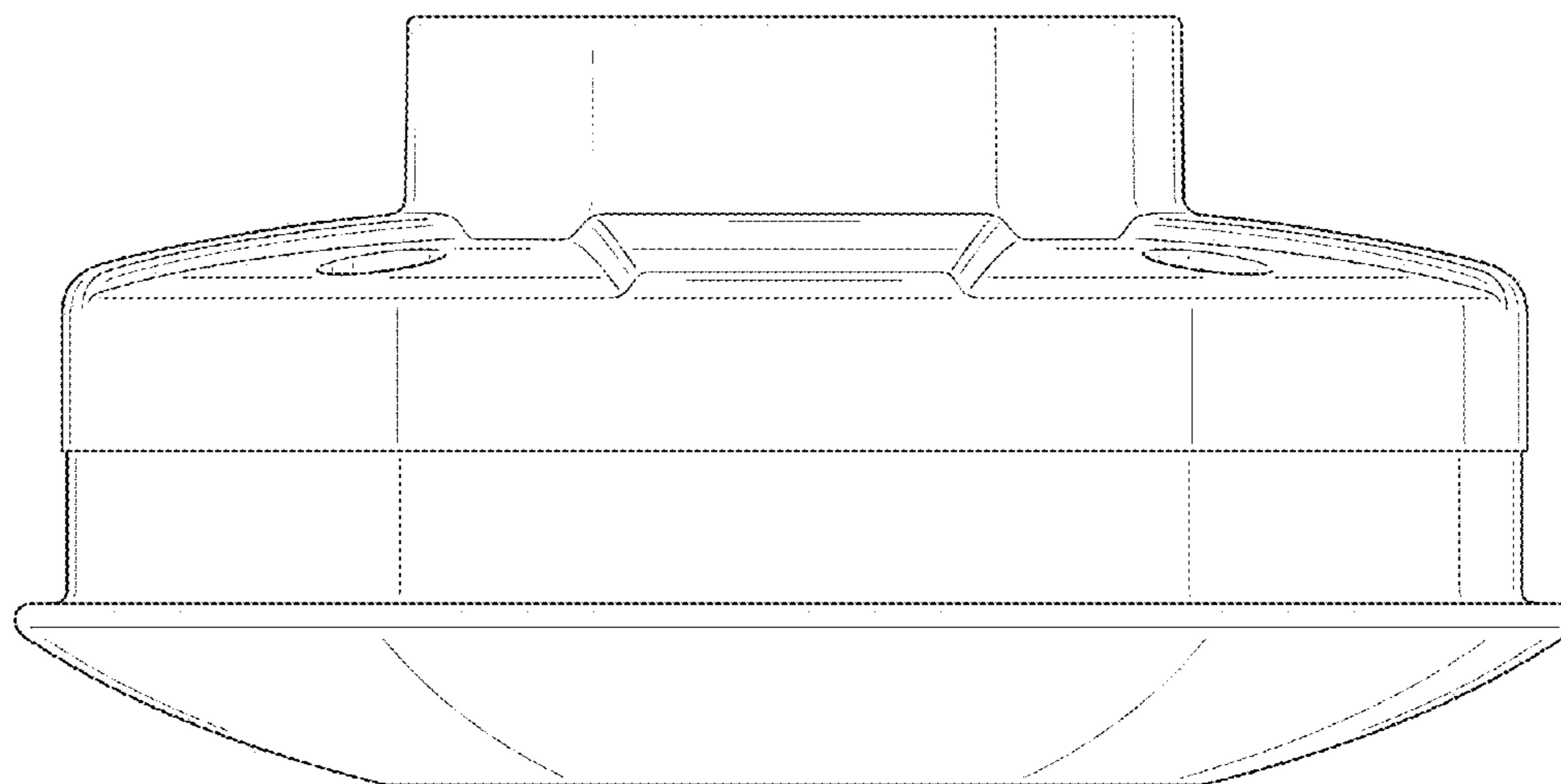


FIG. 2

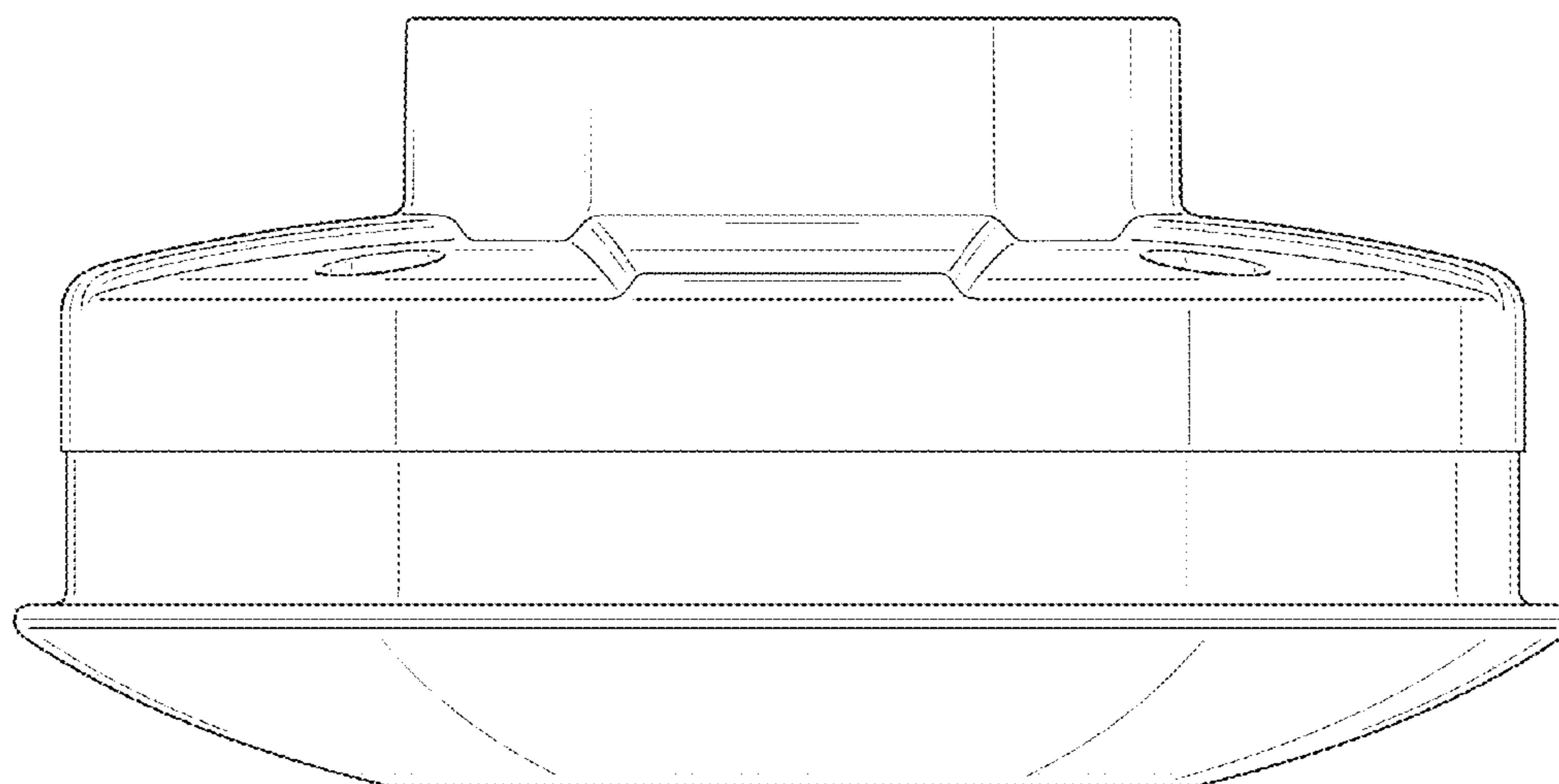


FIG. 3

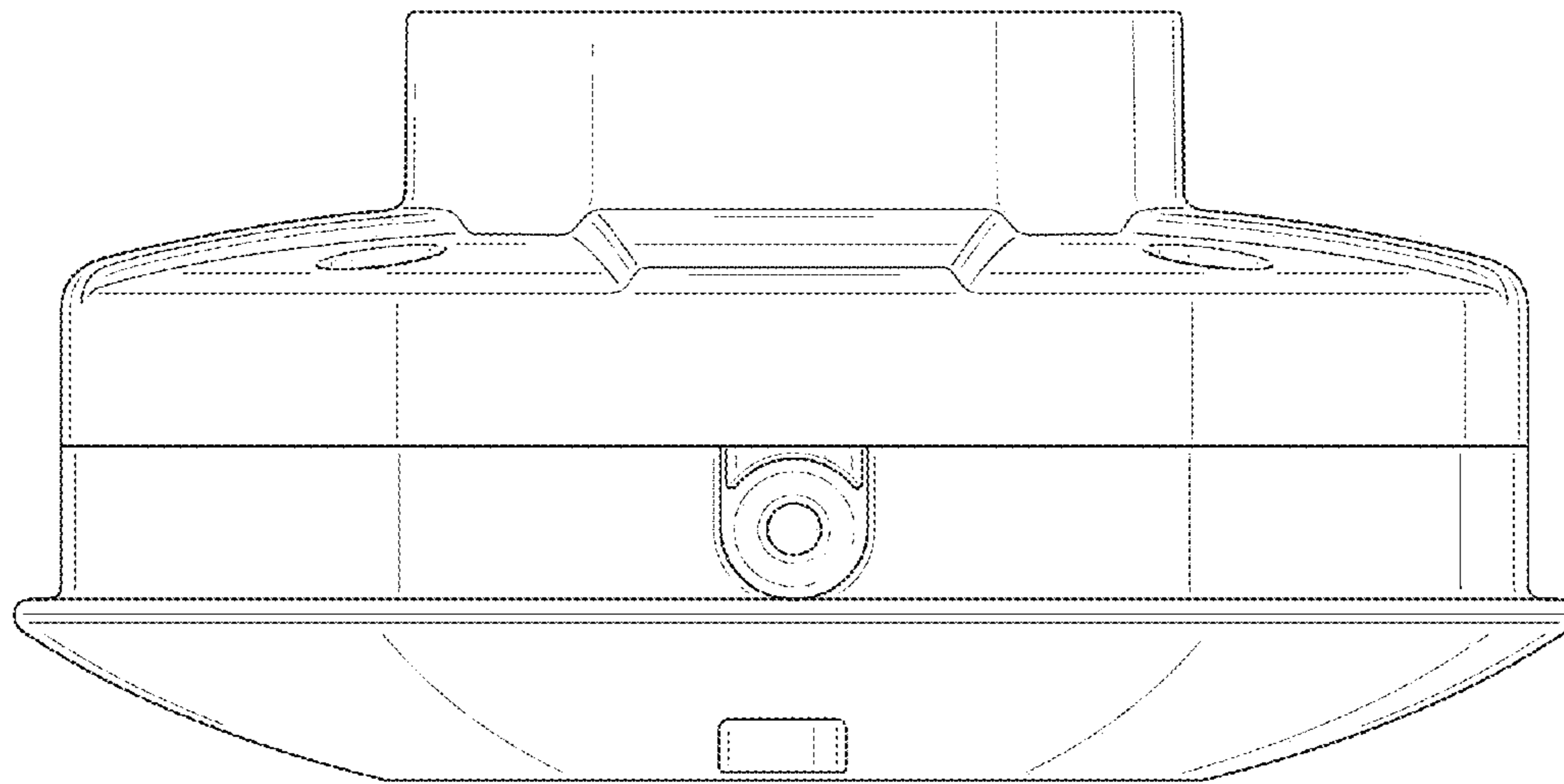


FIG. 4

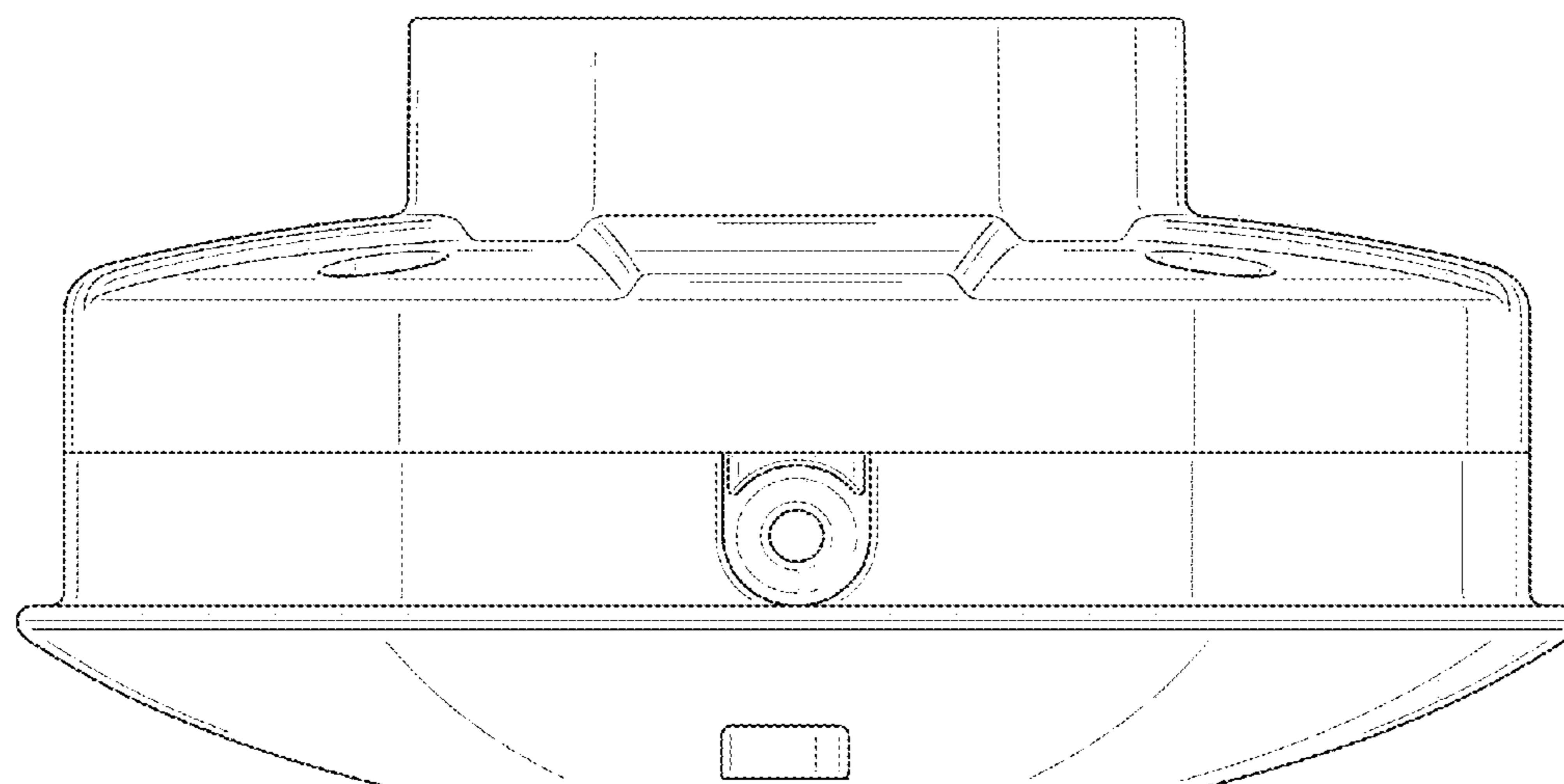


FIG. 5

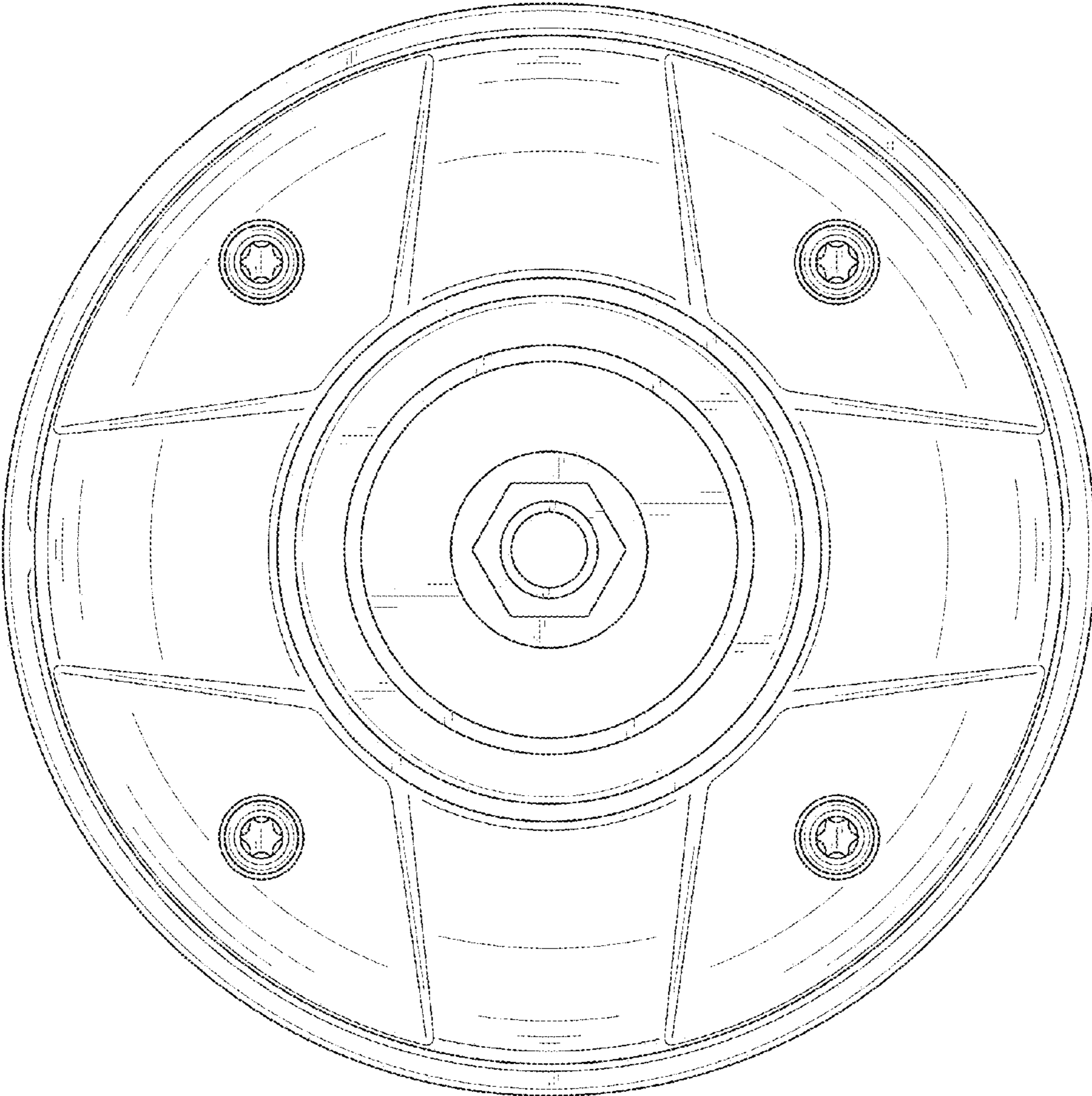


FIG. 6

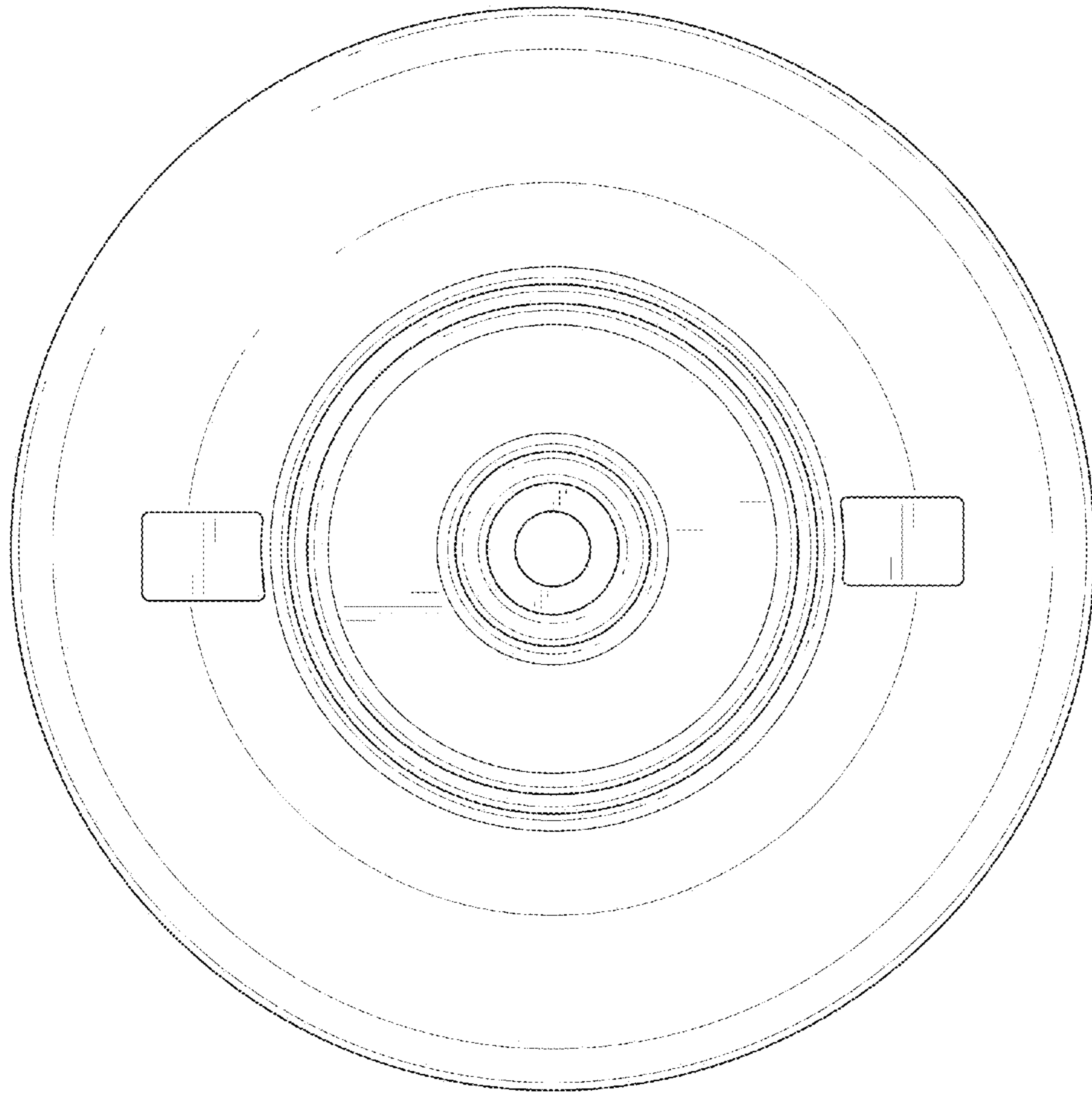


FIG. 7