

US00D727694S

(12) **United States Design Patent**  
**Johnson, Sr. et al.**

(10) **Patent No.:** **US D727,694 S**  
(45) **Date of Patent:** **\*\* Apr. 28, 2015**

(54) **FRUIT-CATCHING NET**  
(71) Applicants: **Melvin J. Johnson, Sr.**, Miami Gardens, FL (US); **Melvin J. Johnson, Jr.**, Miami Gardens, FL (US)  
(72) Inventors: **Melvin J. Johnson, Sr.**, Miami Gardens, FL (US); **Melvin J. Johnson, Jr.**, Miami Gardens, FL (US)  
(\*\*) Term: **14 Years**

D506,652	S	*	6/2005	Bynum	.....	D8/1
D515,370	S	*	2/2006	Huegel	.....	D8/1
D580,718	S	*	11/2008	Smith	.....	D8/1
D587,077	S	*	2/2009	Smith	.....	D8/1
7,594,754	B2	*	9/2009	Costello	.....	383/4
D622,560	S	*	8/2010	Kuhn et al.	.....	D8/1
D638,672	S	*	5/2011	Schneider	.....	D8/1
D639,125	S	*	6/2011	von Boetticher	.....	D8/1
D639,621	S	*	6/2011	von Boetticher	.....	D8/1
8,151,548	B1	*	4/2012	Sherry	.....	56/329
8,230,812	B2	*	7/2012	Ross	.....	119/174
D703,497	S	*	4/2014	Haggard	.....	D8/1
2009/0025357	A1	*	1/2009	Parsa	.....	56/329

(21) Appl. No.: **29/463,478**  
(22) Filed: **Dec. 9, 2013**  
(51) **LOC (10) Cl.** ..... **08-01**  
(52) **U.S. Cl.**  
USPC ..... **D8/1**  
(58) **Field of Classification Search**  
USPC ..... D8/1; 56/329; 47/31-32  
See application file for complete search history.

\* cited by examiner

*Primary Examiner* — Sheryl Lane

(57) **CLAIM**  
We claim the ornamental design for a fruit-catching net, as shown and described.

**DESCRIPTION**

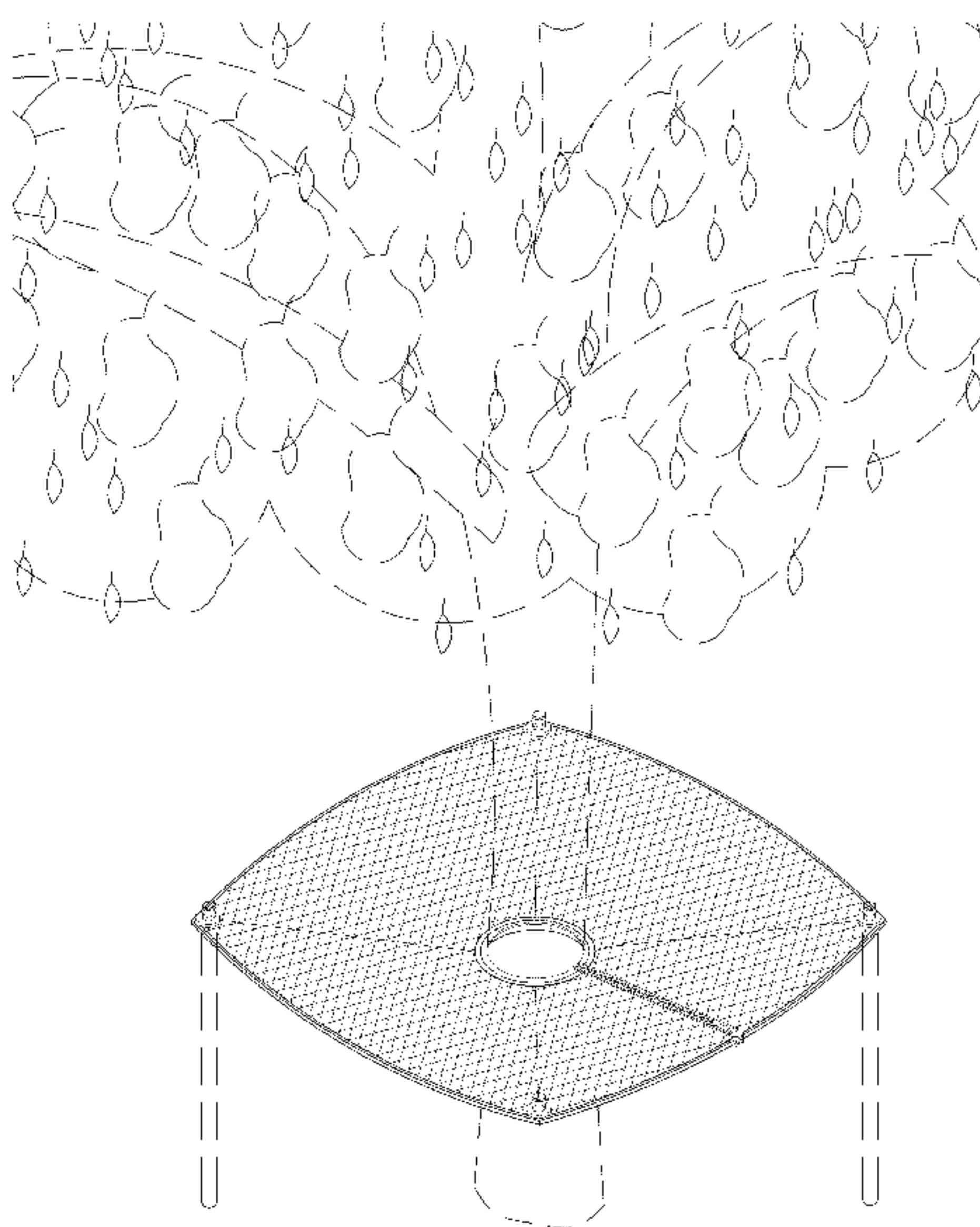
FIG. 1 is a top view of the fruit-catching net.  
FIG. 2 is a bottom view of the claimed design.  
FIG. 3 is a left side view of the claimed design.  
FIG. 4 is a rear side view of the claimed design.  
FIG. 5 is a front side view of the claimed design.  
FIG. 6 is a perspective side view of the claimed design; and,  
FIG. 7 is a perspective view of the claimed design in use with a tree, and supported via a plurality of stakes. The tree and stakes are depicted in broken lines, which is environmental matter that forms no part of the claimed design.  
The broken line shown in FIG. 1 represents environment and forms no part of the claimed design.

(56) **References Cited**

U.S. PATENT DOCUMENTS

1,366,563	A	*	1/1921	Fleckner	.....	56/329
1,415,863	A	*	5/1922	Boelman	.....	56/329
1,473,081	A	*	11/1923	Cook	.....	56/329
1,515,551	A	*	11/1924	Christo	.....	56/329
2,436,173	A	*	2/1948	Knapp	.....	56/329
2,509,569	A	*	5/1950	Langford	.....	56/329
2,649,680	A	*	8/1953	Brown	.....	56/329
4,901,513	A	*	2/1990	Kim et al.	.....	56/329
5,848,522	A	*	12/1998	Coviello, Jr.	.....	56/329
D408,233	S	*	4/1999	Price	.....	D8/1
6,640,490	B1	*	11/2003	Boehringer	.....	47/9
D483,629	S	*	12/2003	Markfelder	.....	D8/1

**1 Claim, 5 Drawing Sheets**





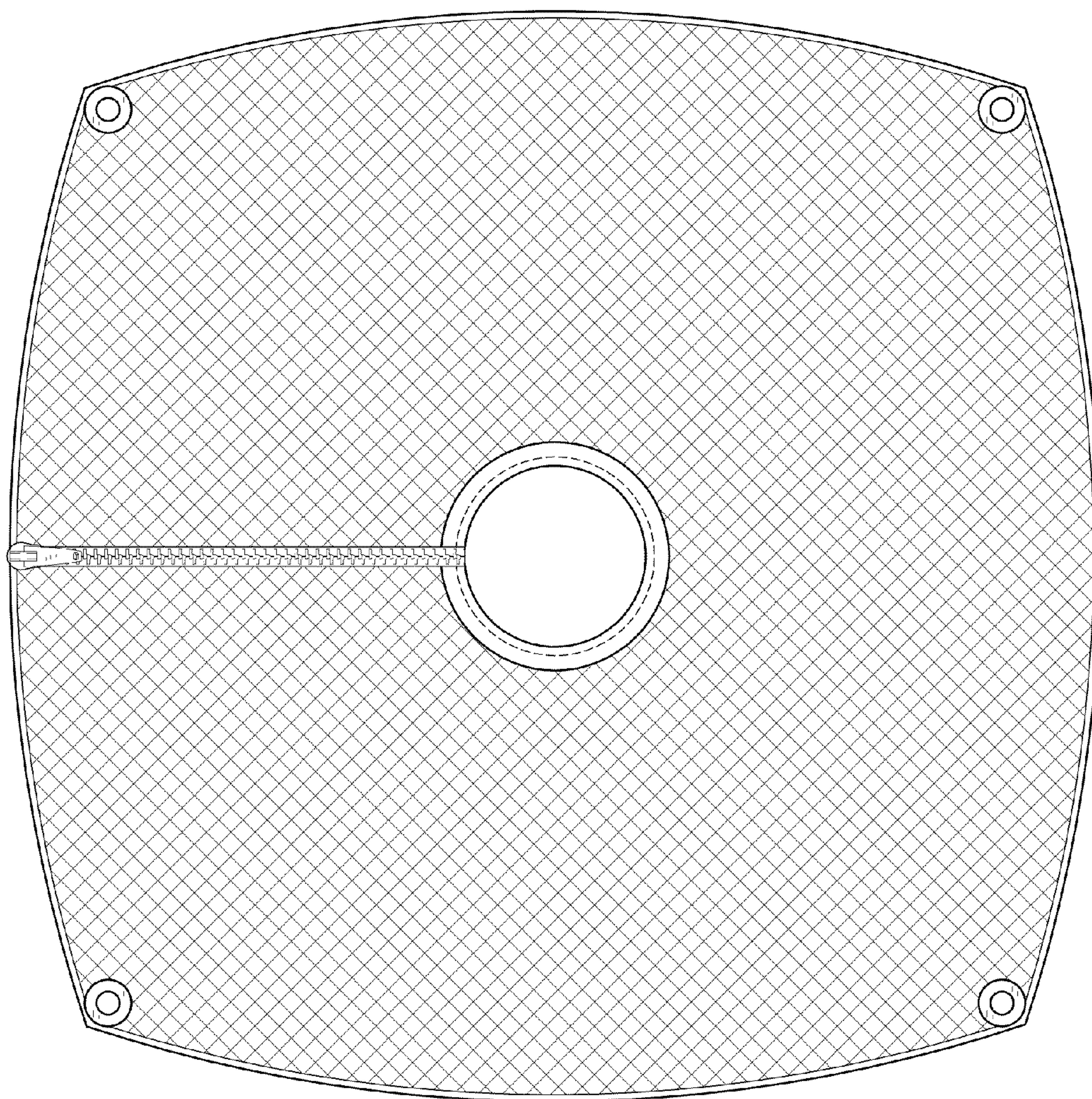


FIG. 1



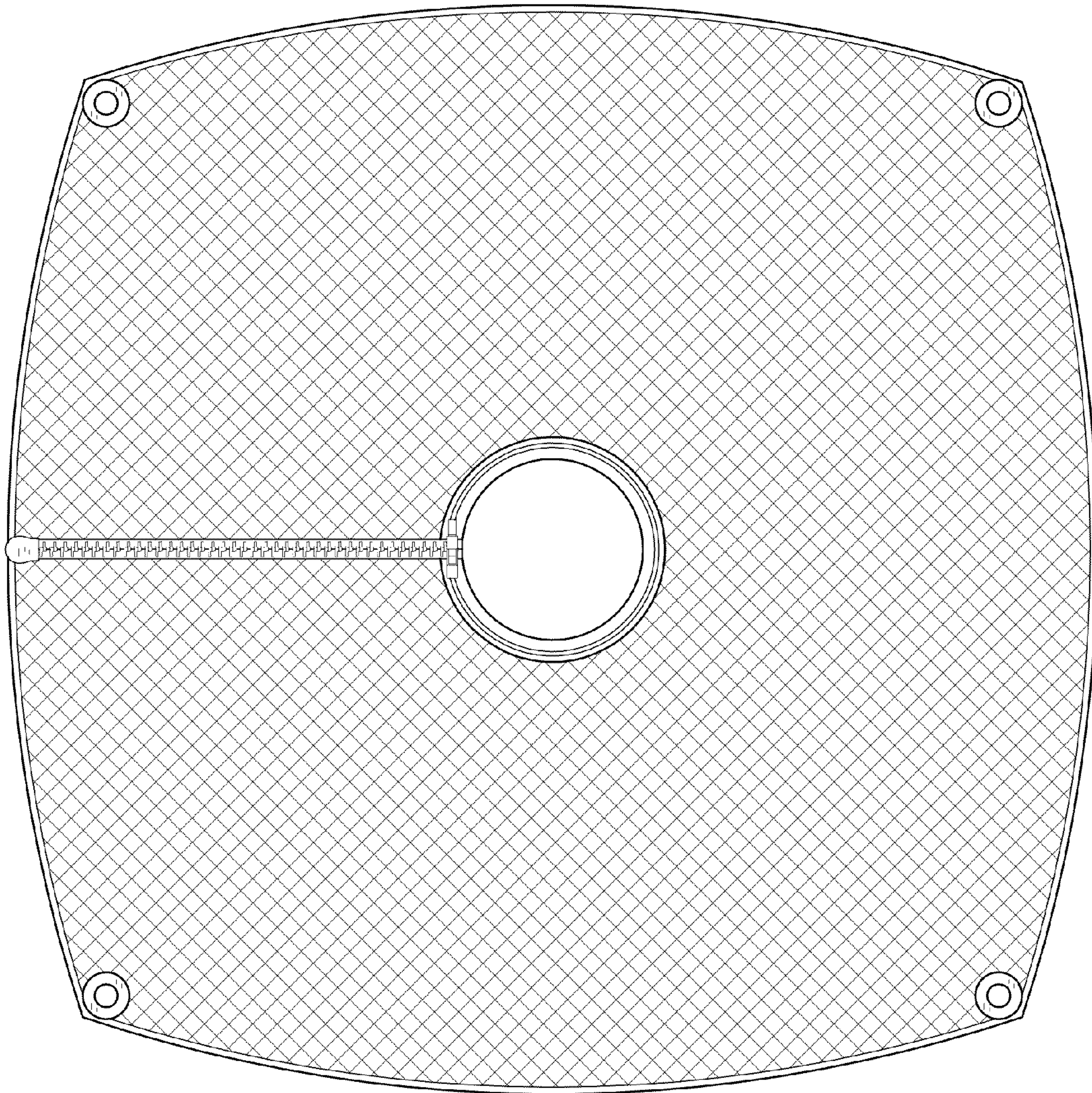


FIG. 2

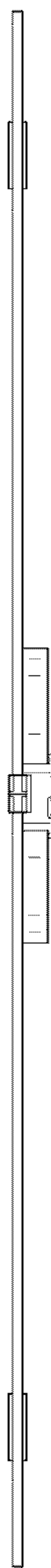


FIG. 4

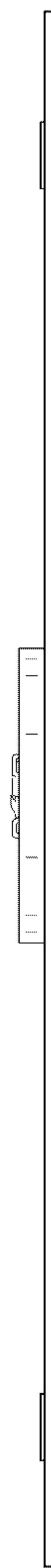


FIG. 5

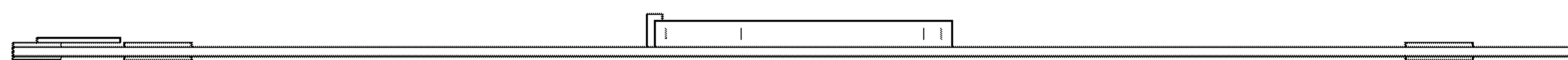


FIG. 3



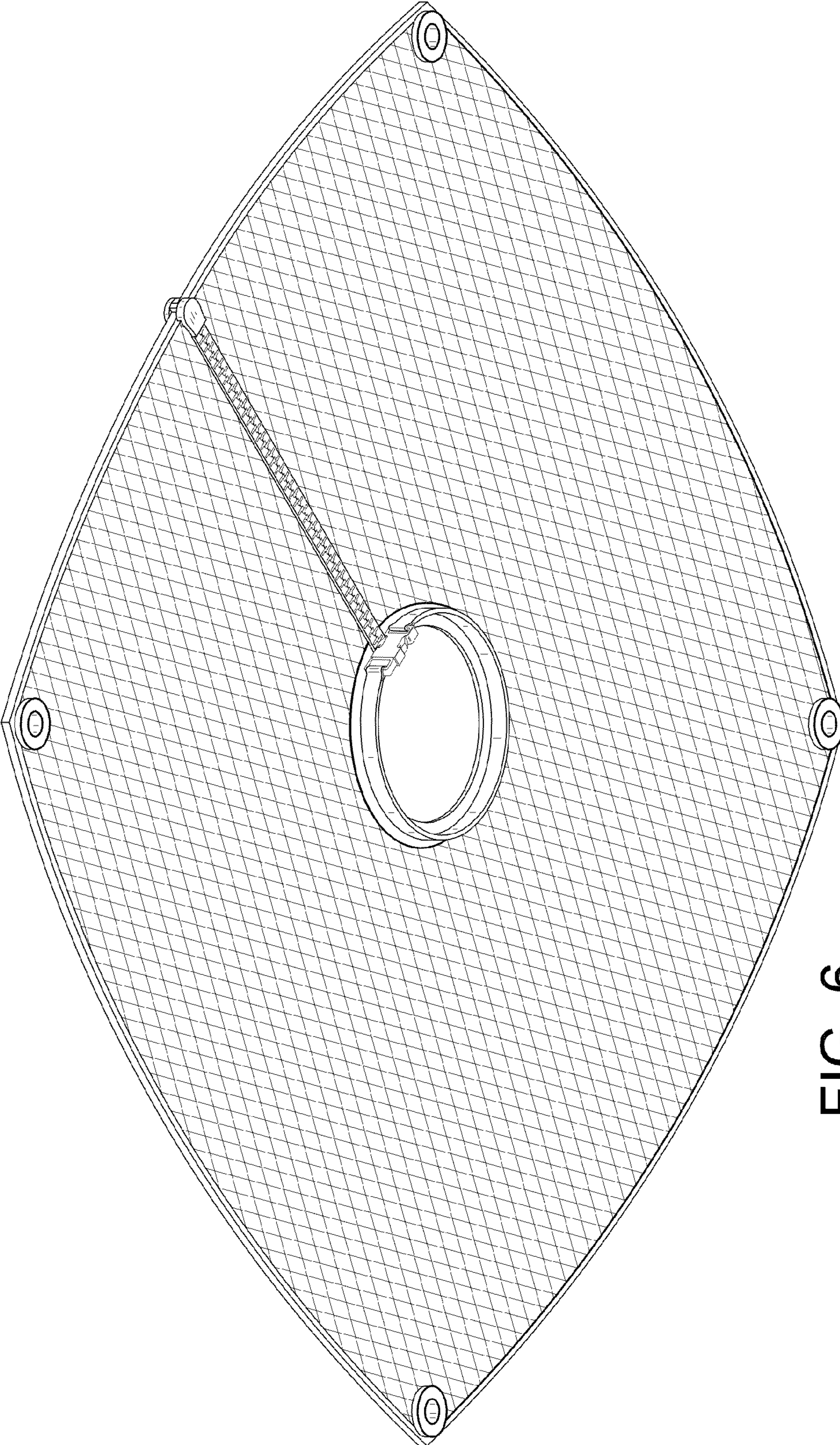


FIG. 6

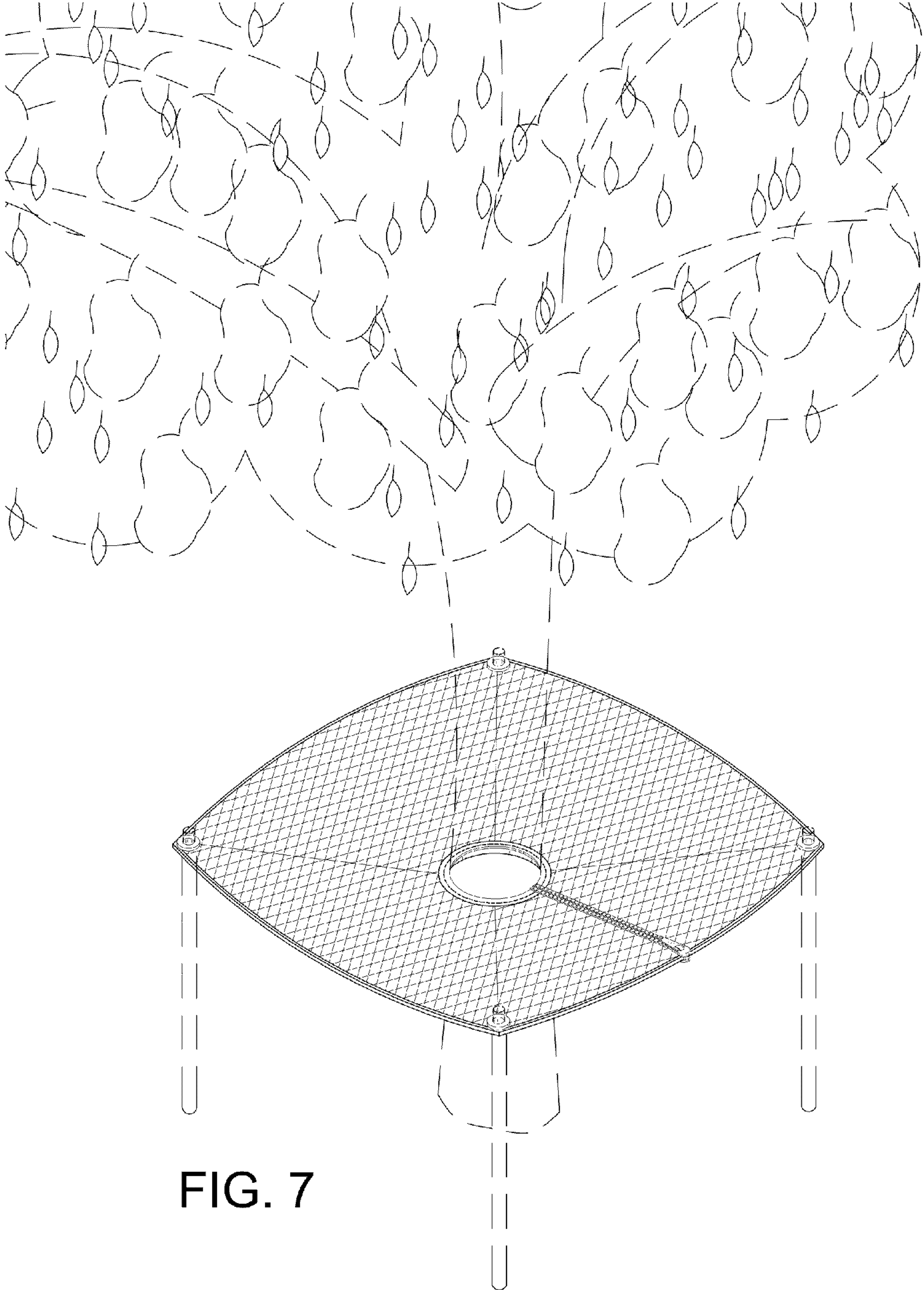


FIG. 7