



US00D727693S

(12) **United States Design Patent**
Napoli

(10) **Patent No.:** **US D727,693 S**

(45) **Date of Patent:** **** Apr. 28, 2015**

(54) **CUP HOLDER WITH STRAPS**

(71) Applicant: **Tom Napoli**, Santee, CA (US)

(72) Inventor: **Tom Napoli**, Santee, CA (US)

(**) Term: **14 Years**

(21) Appl. No.: **29/462,464**

(22) Filed: **Aug. 5, 2013**

Related U.S. Application Data

(63) Continuation of application No. 29/412,022, filed on Jan. 29, 2012, now Pat. No. Des. 688,537.

(51) **LOC (10) Cl.** **07-99**

(52) **U.S. Cl.**
USPC **D7/701**

(58) **Field of Classification Search**
USPC D7/701-707, 607, 624.2; D3/202, 229, D3/327; 222/132, 130, 465.1, 481; 206/315.11; 211/74, 60.1, 70.6; 294/154, 149, 147, 160, 143, 31.2, 33; 248/309.1, 311.2; 24/302; 220/23.4, 220/23.83, 203.23, 902, 903, 592.2; 383/110, 109, 113

See application file for complete search history.

(56) **References Cited**

U.S. PATENT DOCUMENTS

1,778,248 A * 10/1930 Doughty 222/132
2,570,283 A * 10/1951 Stevens 222/132

6,517,036 B1 * 2/2003 Ramirez, Jr. 248/150
7,328,818 B2 * 2/2008 Prabucki 222/146.6
2003/0097736 A1 * 5/2003 Blankenship 24/302
2006/0261019 A1 * 11/2006 Chao et al. 211/74
2007/0095999 A1 * 5/2007 Dubois 248/311.2

* cited by examiner

Primary Examiner — Terry Wallace

(74) *Attorney, Agent, or Firm* — Lewis Kohn & Walker LLP; Kent Walker; Kari Moyer-Henry

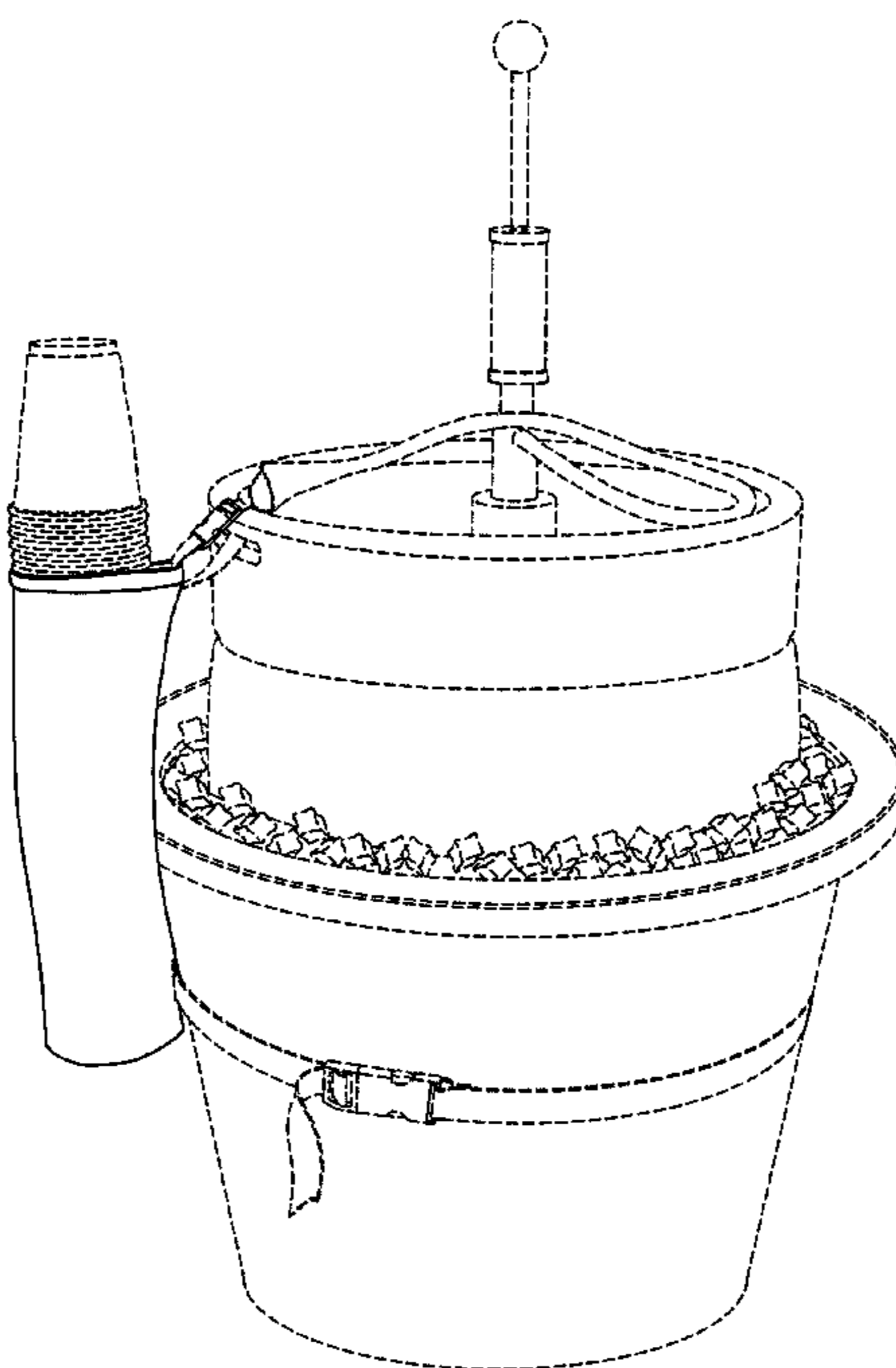
(57) **CLAIM**

The ornamental design for a cup holder with straps, as shown and described.

DESCRIPTION

FIG. 1 is a perspective view of the cup holder with straps embodiment of the present invention; FIG. 2 is a front elevational view of the cup holder with straps from FIG. 1; FIG. 3 is a back elevational view of the cup holder with straps from FIG. 1; FIG. 4 is a left side elevational view of the cup holder with straps from FIG. 1; FIG. 5 is a right side elevational view of the cup holder with straps from FIG. 1; FIG. 6 is a top elevational view of the cup holder with straps from FIG. 1; and, FIG. 7 is a bottom elevational view of the cup holder with straps from FIG. 1. Any broken line illustration of environmental structure in the drawings is not part of the design sought to be patented.

1 Claim, 4 Drawing Sheets



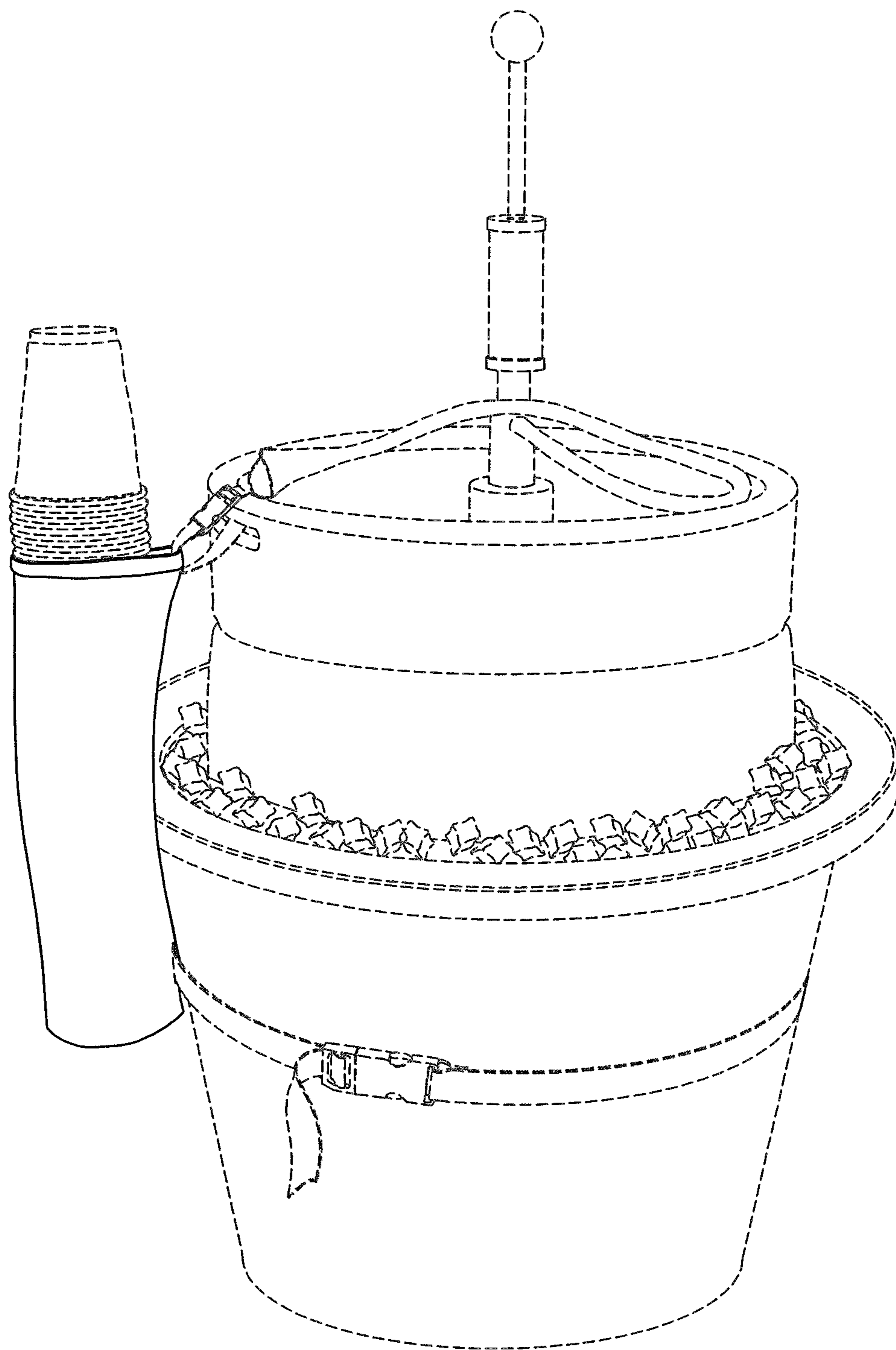


Fig. 1

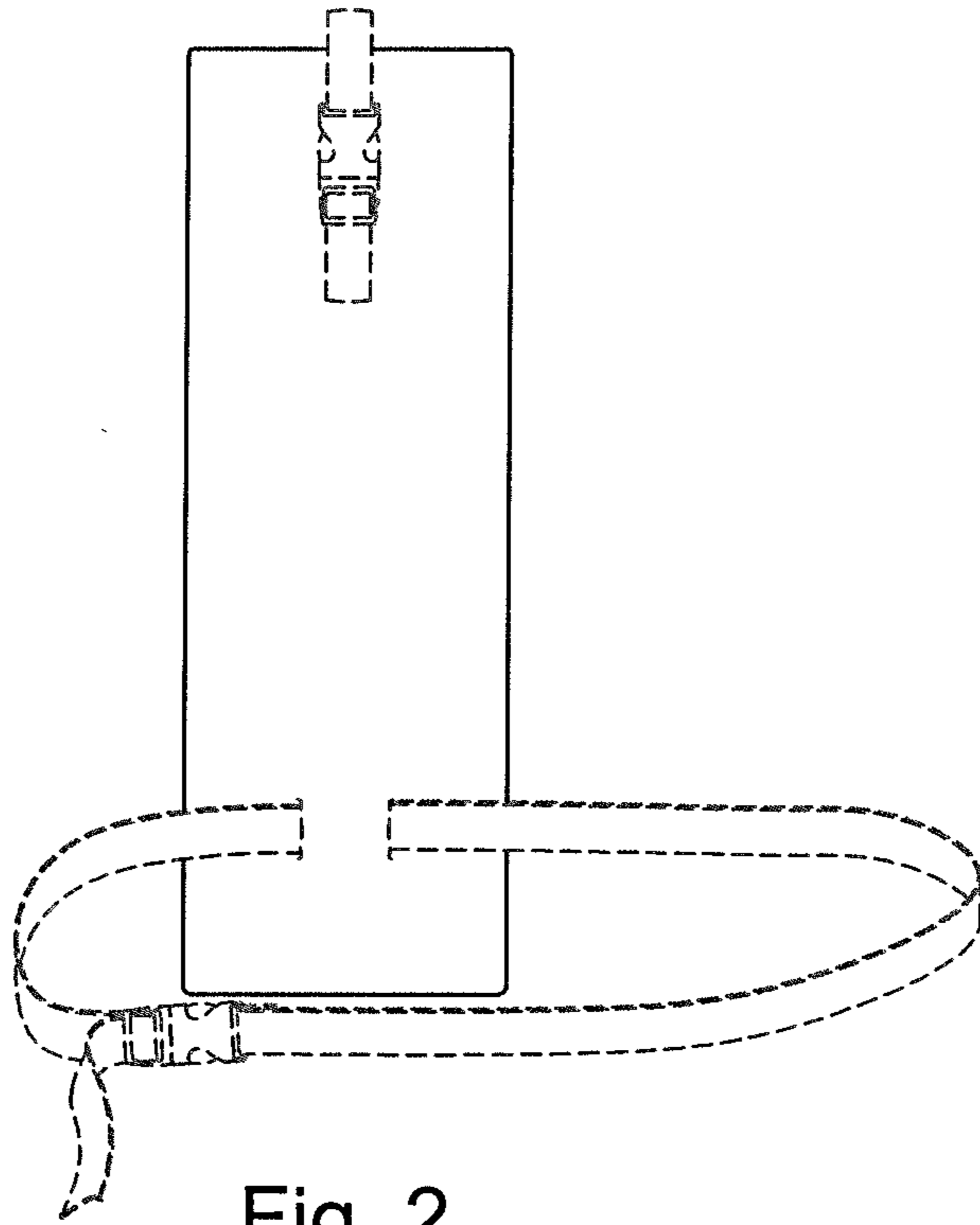


Fig. 2

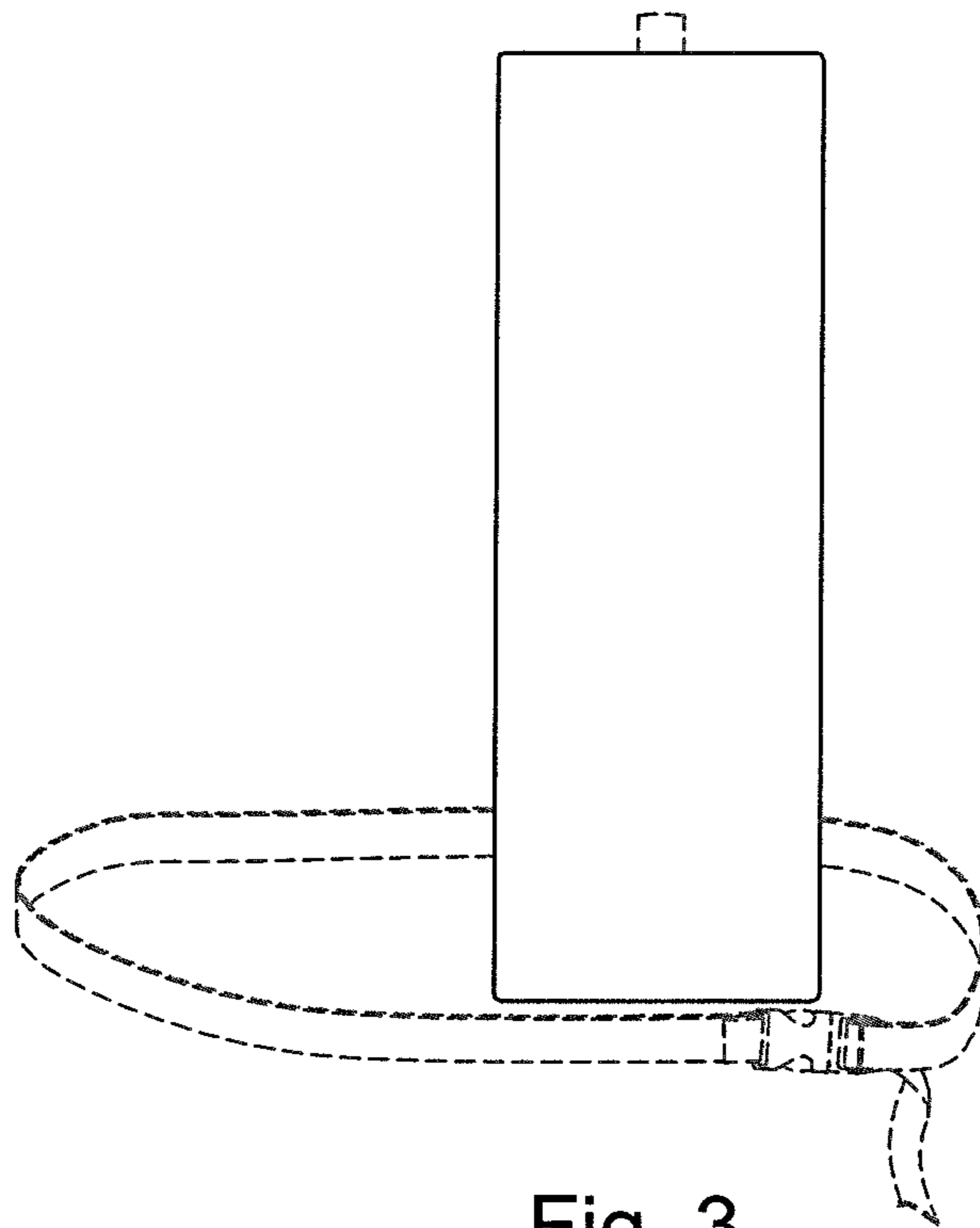


Fig. 3

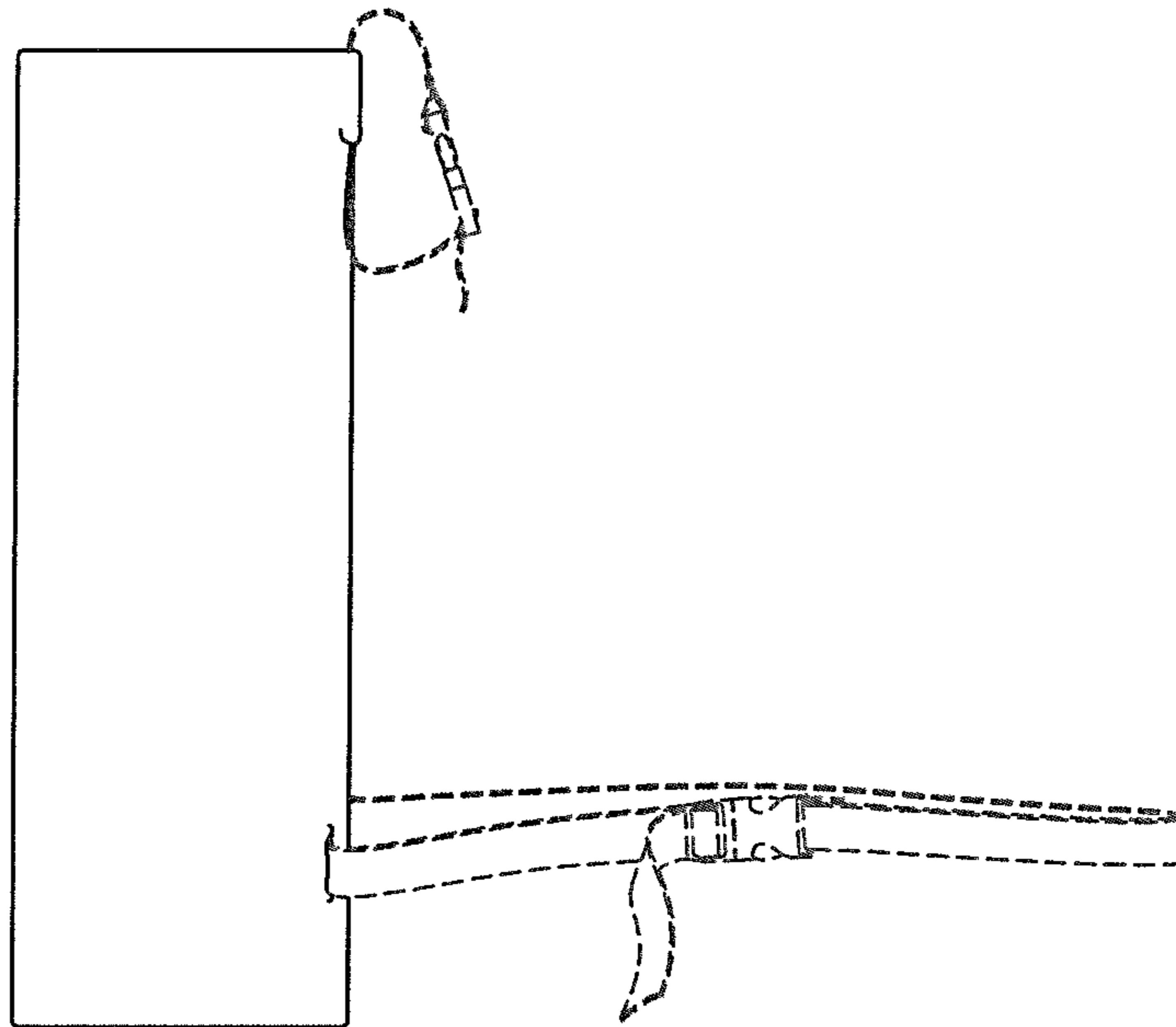


Fig. 4

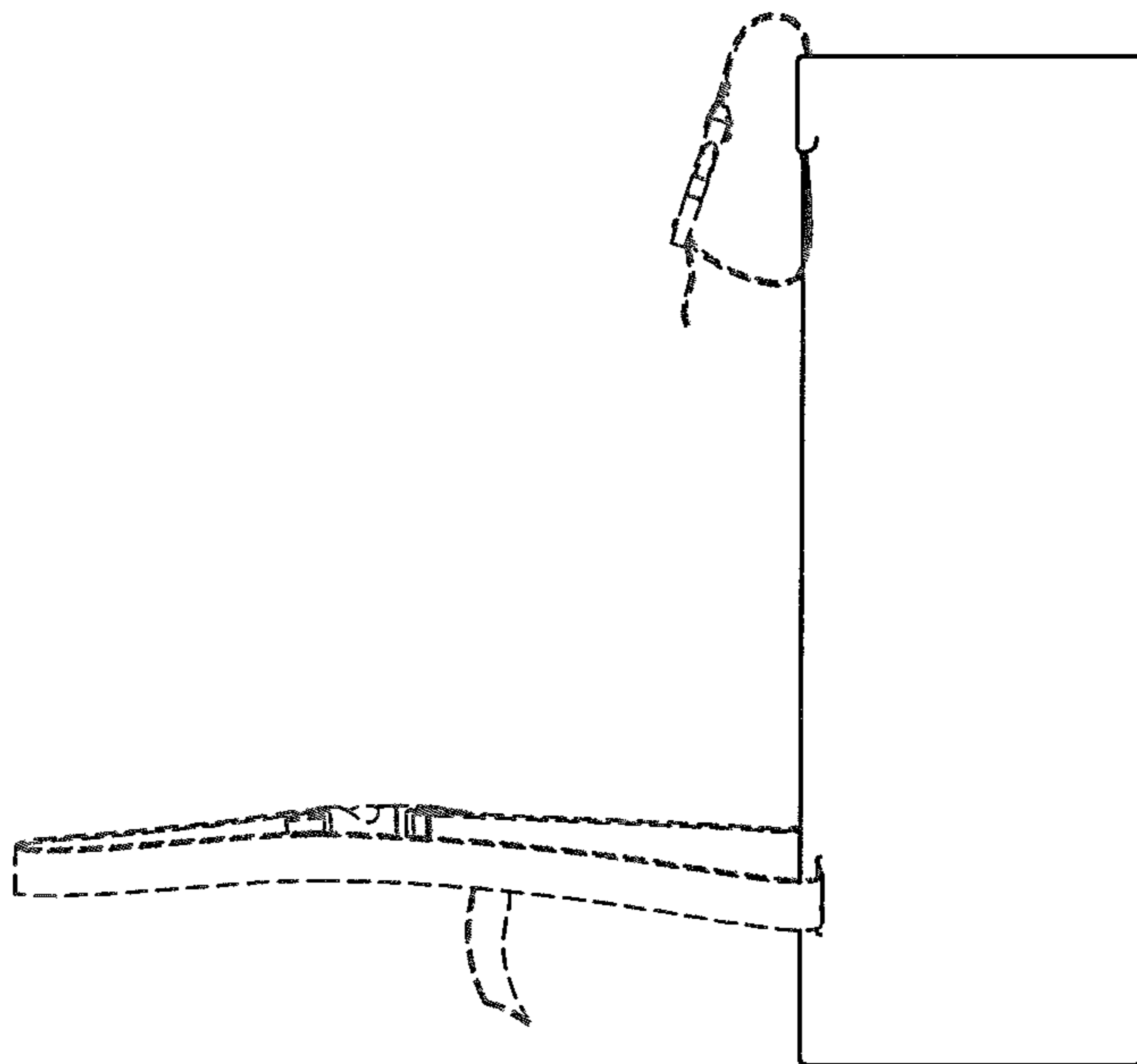


Fig. 5

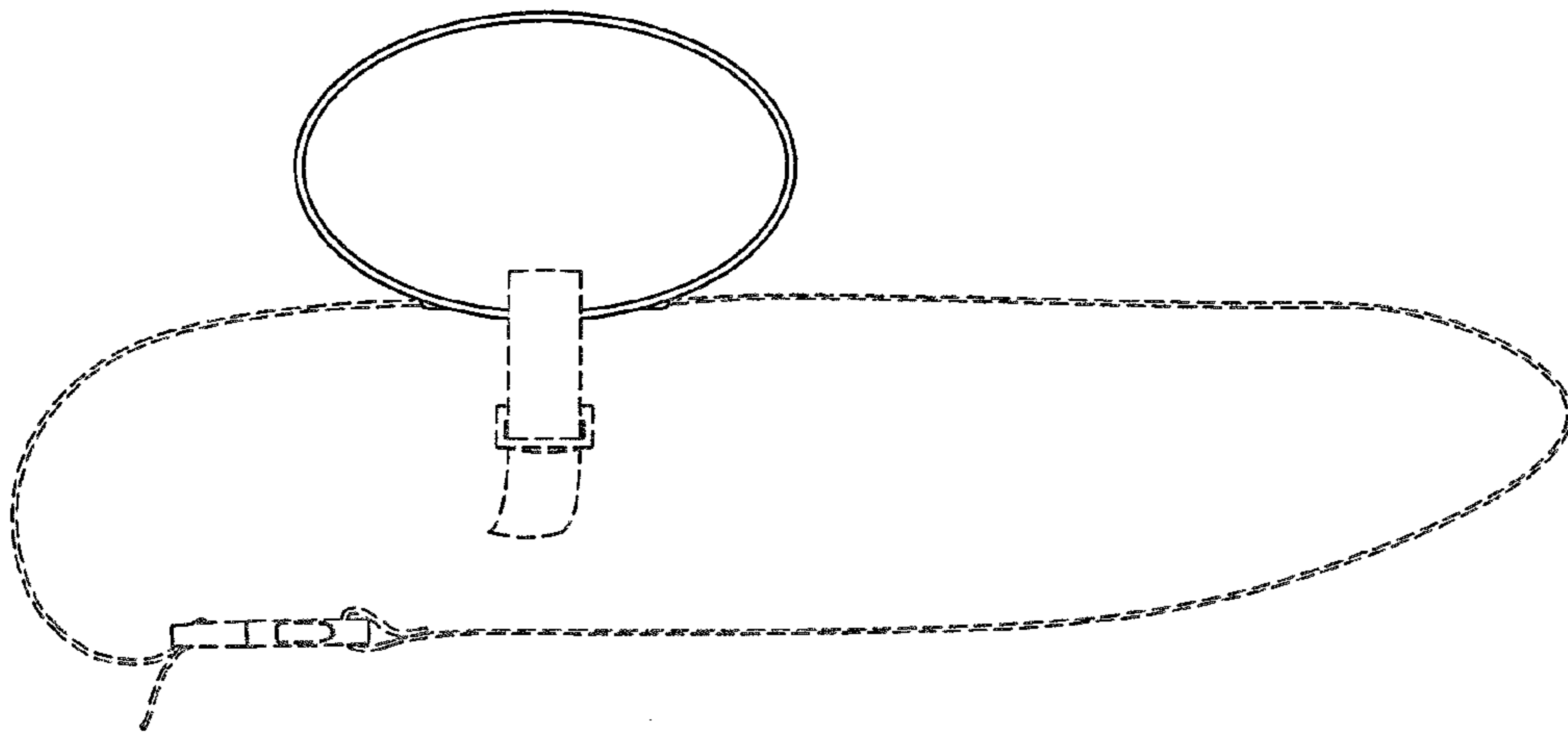


Fig. 6

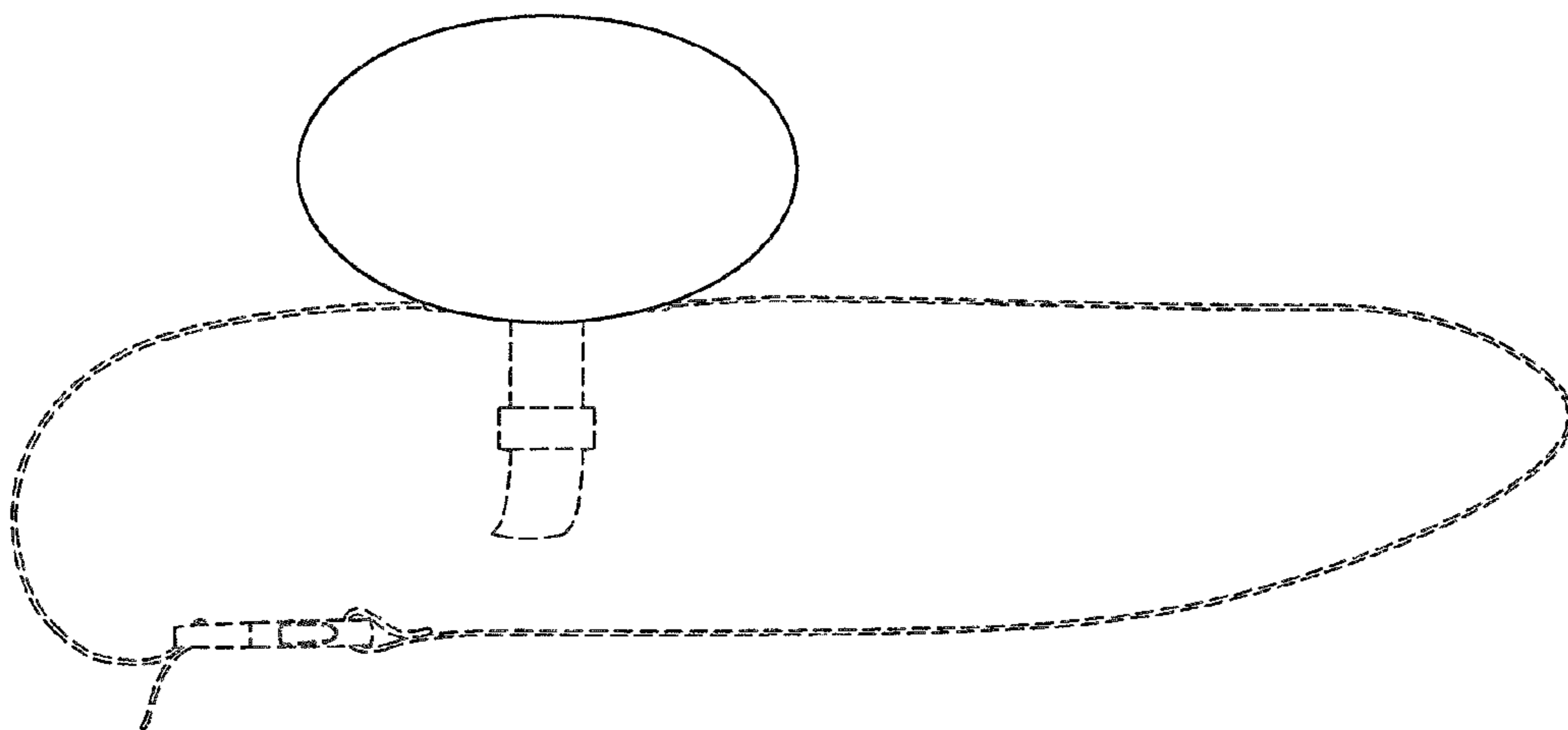


Fig. 7