



US00D727691S

(12) **United States Design Patent**  
**Wang**

(10) **Patent No.:** **US D727,691 S**  
(45) **Date of Patent:** **\*\* Apr. 28, 2015**

(54) **SPOON**

(56) **References Cited**

(71) Applicant: **Pacific Solution Marketing Inc.,**  
Ontario (CA)

U.S. PATENT DOCUMENTS

(72) Inventor: **Weide Wang,** Shanghai (CN)

854,745	A *	5/1907	King	30/150
D375,232	S *	11/1996	Held	D7/645
5,735,050	A *	4/1998	Hsieh	30/324
D403,569	S *	1/1999	Frazer	D8/105
D414,988	S *	10/1999	Santini	D7/644
D487,494	S *	3/2004	Glessner	D22/118
D536,221	S	2/2007	Kamins	
D537,302	S *	2/2007	Vrhovski	D7/645
D552,937	S *	10/2007	Ito	D7/653
D554,951	S	11/2007	McGrath	
D568,696	S *	5/2008	Seidenfaden	D7/653
D571,162	S	6/2008	Fite et al.	
D575,593	S	8/2008	Svartström	
D602,312	S *	10/2009	Footman et al.	D7/645
D608,602	S *	1/2010	Davies et al.	D7/644
D701,103	S *	3/2014	Marfione et al.	D8/99
2003/0029044	A1 *	2/2003	Mattson et al.	30/324

(73) Assignee: **Pacific Solution Marketing Inc.,**  
Ontario, CA (US)

(\*\*) Term: **14 Years**

(21) Appl. No.: **29/470,974**

(22) Filed: **Oct. 25, 2013**

(51) **LOC (10) Cl.** ..... **07-03**

(52) **U.S. Cl.**  
USPC ..... **D7/644; D7/653**

(58) **Field of Classification Search**  
CPC ..... A01B 1/20; A01B 1/22; A01D 9/02;  
A01D 9/04; A01D 9/06; A47G 21/00; A47G  
21/004; A47G 21/005; A47G 21/02; A47G  
21/023; A47G 21/04; A47G 21/06; A47G  
21/08; A47J 43/28; A47J 43/281; A47J  
43/282; A61F 13/10; A61J 7/0023; B25G  
1/00; B25G 1/01; B25G 1/02; B25G 3/00;  
B26B 3/00; B26B 3/02; B26B 11/00; B26B  
11/006; B65D 75/56; B65D 75/563; B65D  
75/566; B67B 7/00; B67B 7/724; B67B 7/73  
USPC ..... D7/368, 401.2, 642-645, 649-652,  
D7/653-664, 669, 675-677, 683, 688-689,  
D7/691; D8/99, 105, 107, 300-301;  
D22/117-118; 16/110.1, 407, 430;  
30/1, 137, 142-150, 322-329, 340,  
30/342-345; 294/25-26, 49, 55.5, 57

See application file for complete search history.

\* cited by examiner

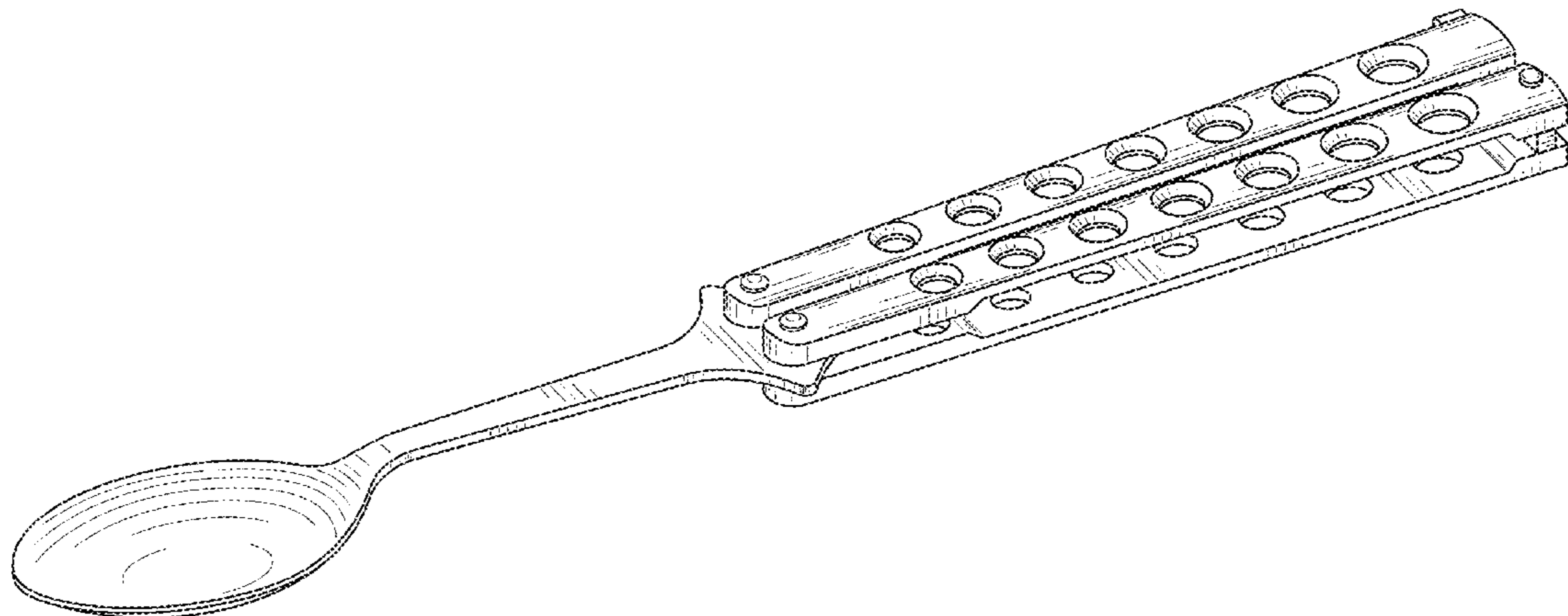
*Primary Examiner* — Ricky Pham  
(74) *Attorney, Agent, or Firm* — KB Ash Law Group PC

(57) **CLAIM**  
The ornamental design for a spoon, as shown and described.

**DESCRIPTION**

FIG. 1 is a perspective view of a spoon, showing my new design;  
FIG. 2 is a right side view thereof;  
FIG. 3 is a left side view thereof;  
FIG. 4 is a top view thereof;  
FIG. 5 is a bottom view thereof;  
FIG. 6 is a front view thereof; and,  
FIG. 7 is a back view thereof.

**1 Claim, 3 Drawing Sheets**



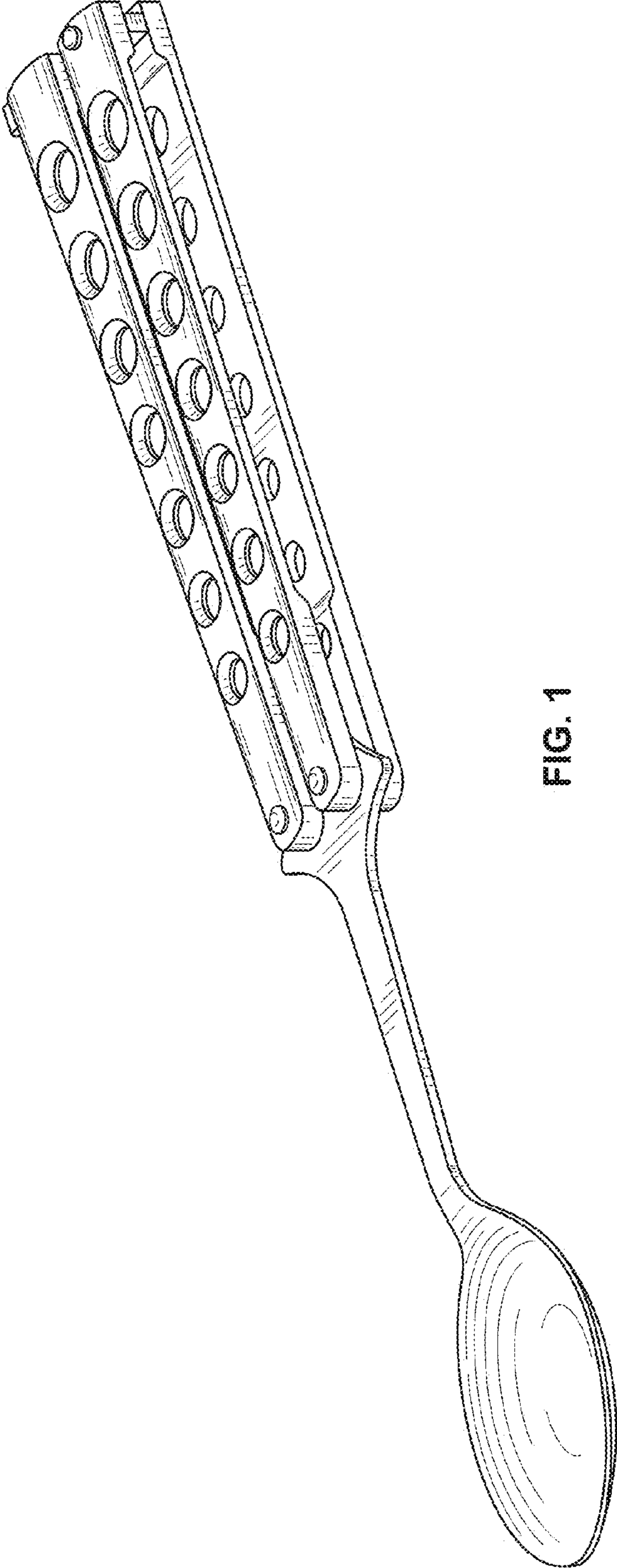


FIG. 1

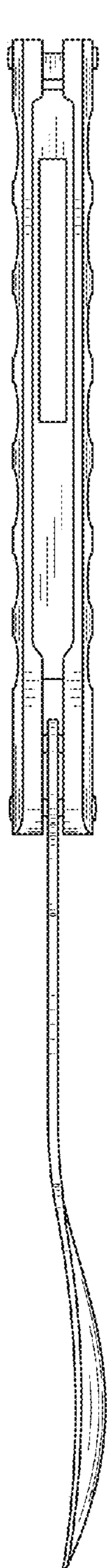


FIG. 2

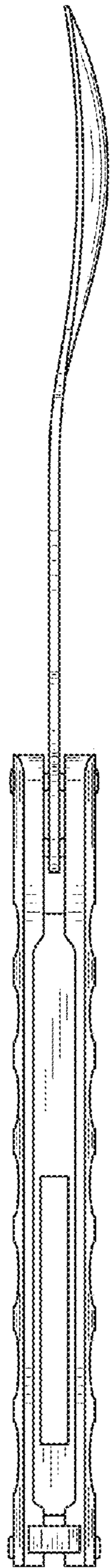


FIG. 3

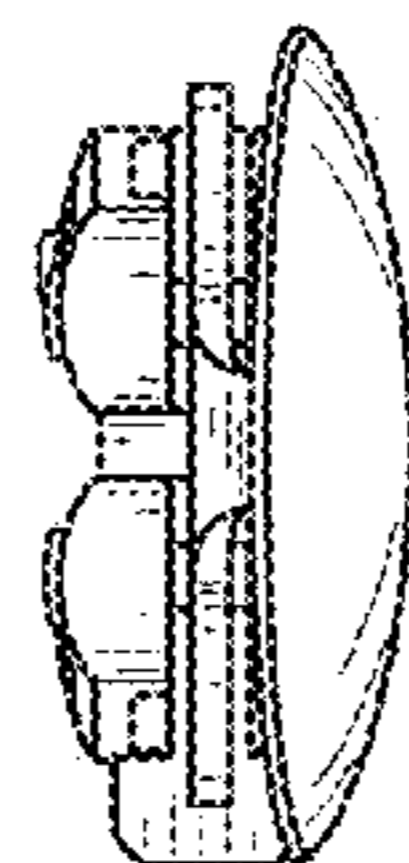


FIG. 4

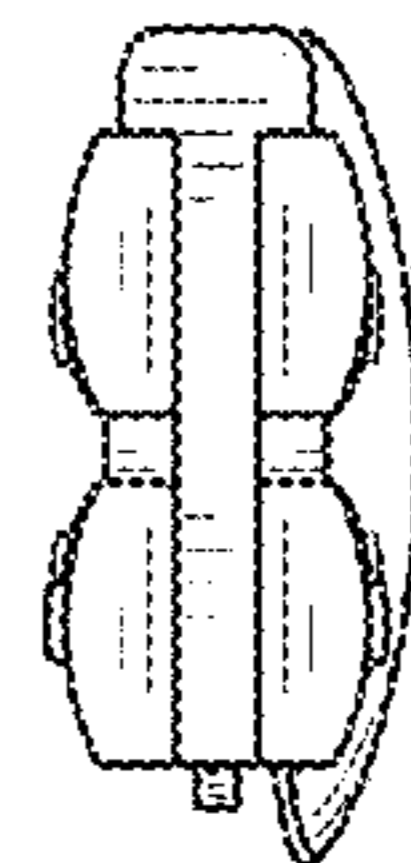


FIG. 5

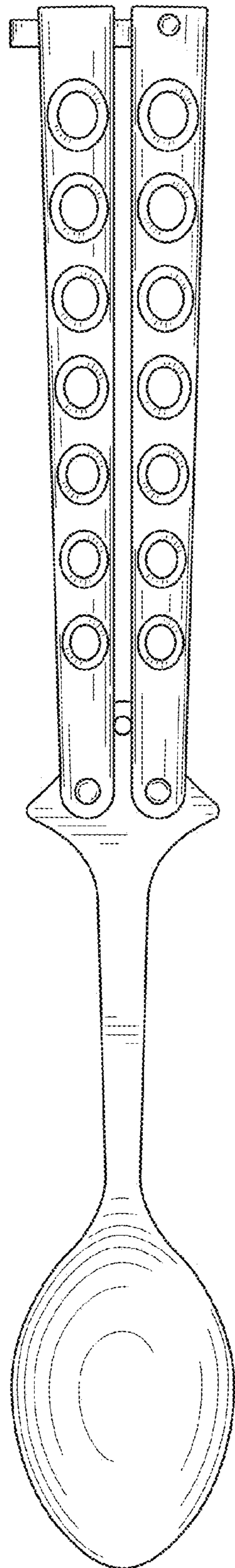


FIG. 6

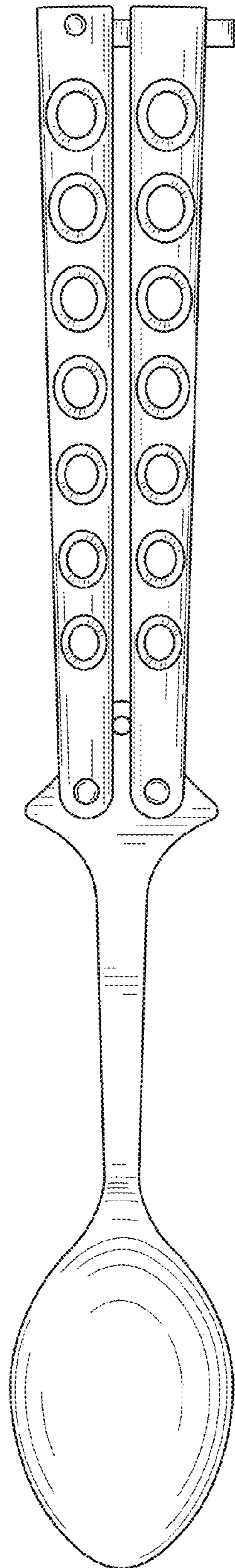


FIG. 7