



US00D727690S

(12) **United States Design Patent**
Wang

(10) **Patent No.:** **US D727,690 S**
(45) **Date of Patent:** **** Apr. 28, 2015**

(54) **FORK**

(71) Applicant: **Pacific Solution Marketing Inc.,**
Ontario, CA (US)

(72) Inventor: **Weide Wang,** Shanghai (CN)

(73) Assignee: **Pacific Solution Marketing Inc.,**
Ontario, CA (US)

(**) Term: **14 Years**

(21) Appl. No.: **29/470,972**

(22) Filed: **Oct. 25, 2013**

(51) **LOC (10) Cl.** **07-03**

(52) **U.S. Cl.**
USPC **D7/644; D7/653**

(58) **Field of Classification Search**
CPC A01B 1/20; A01B 1/22; A01D 9/02;
A01D 9/04; A01D 9/06; A47G 21/00; A47G
21/004; A47G 21/005; A47G 21/02; A47G
21/023; A47G 21/04; A47G 21/06; A47G
21/08; A47J 43/28; A47J 43/281; A47J
43/282; A61F 13/10; A61J 7/0023; B25G
1/00; B25G 1/01; B25G 1/02; B25G 3/00;
B26B 3/00; B26B 3/02; B26B 11/00; B26B
11/006; B65D 75/56; B65D 75/563; B65D
75/566; B67B 7/00; B67B 7/724; B67B 7/73
USPC D7/368, 401.2, 642-645, 649-652,
D7/653-664, 669, 675-677, 683, 688-689,
D7/691; D8/99, 105, 107, 300-301;
D22/117-118; 16/110.1, 407, 430;
30/1, 137, 142-150, 322-329, 340,
30/342-345; 294/25-26, 49, 55.5, 57

See application file for complete search history.

(56) **References Cited**

U.S. PATENT DOCUMENTS

| | | | | | |
|--------------|------|---------|-----------------|-------|---------|
| 854,745 | A * | 5/1907 | King | | 30/150 |
| D375,232 | S * | 11/1996 | Held | | D7/645 |
| 5,735,050 | A * | 4/1998 | Hsieh | | 30/324 |
| D403,569 | S * | 1/1999 | Frazer | | D8/105 |
| D414,988 | S * | 10/1999 | Santini | | D7/644 |
| D487,494 | S * | 3/2004 | Glesser | | D22/118 |
| D536,221 | S | 2/2007 | Kamins | | |
| D537,302 | S * | 2/2007 | Vrhovski | | D7/645 |
| D552,937 | S * | 10/2007 | Ito | | D7/653 |
| D562,084 | S | 2/2008 | McGrath | | |
| D568,696 | S * | 5/2008 | Seidenfaden | | D7/653 |
| D575,593 | S | 8/2008 | Svartström | | |
| D602,312 | S * | 10/2009 | Footman et al. | | D7/645 |
| D608,602 | S * | 1/2010 | Davies et al. | | D7/644 |
| D701,103 | S * | 3/2014 | Marfione et al. | | D8/99 |
| 2003/0029044 | A1 * | 2/2003 | Mattson et al. | | 30/324 |

* cited by examiner

Primary Examiner — Ricky Pham

(74) *Attorney, Agent, or Firm* — KB Ash Law Group PC

(57) **CLAIM**

The ornamental design for a fork, as shown and described.

DESCRIPTION

FIG. 1 is a perspective view of a fork, showing my new design;

FIG. 2 is a right side view thereof;

FIG. 3 is a left side view thereof;

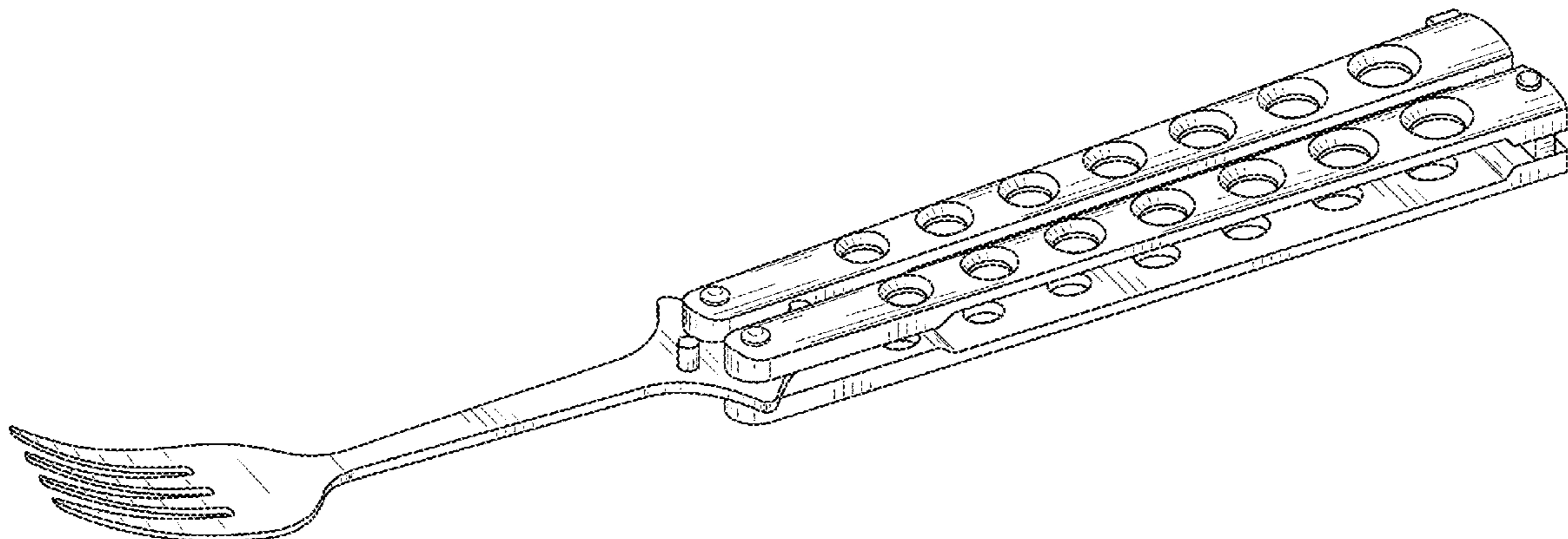
FIG. 4 is a top view thereof;

FIG. 5 is a bottom view thereof;

FIG. 6 is a front view thereof; and,

FIG. 7 is a back view thereof.

1 Claim, 3 Drawing Sheets



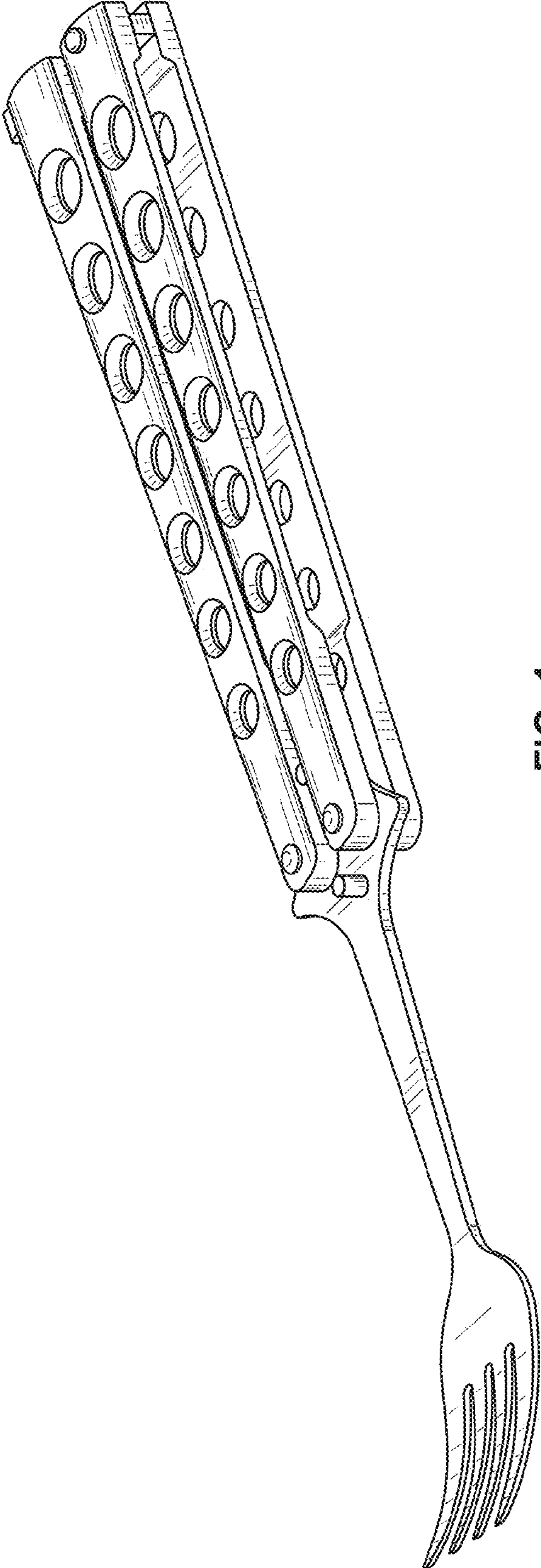


FIG. 1

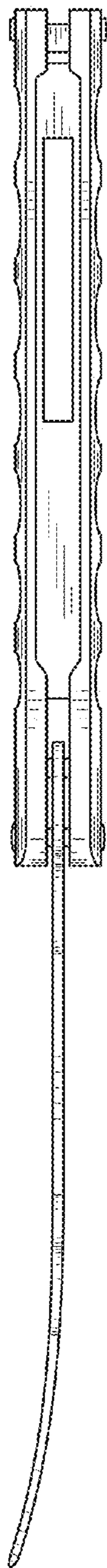


FIG. 2

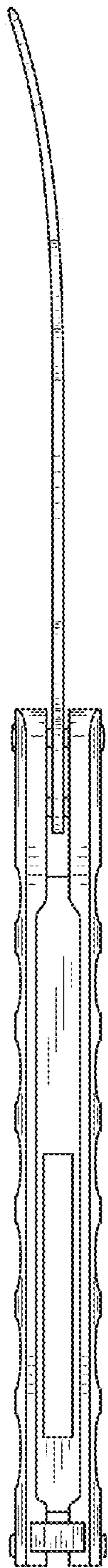


FIG. 3

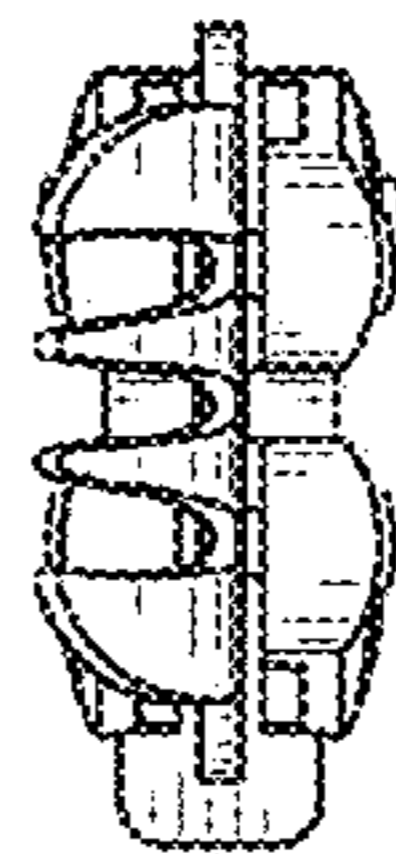


FIG. 4

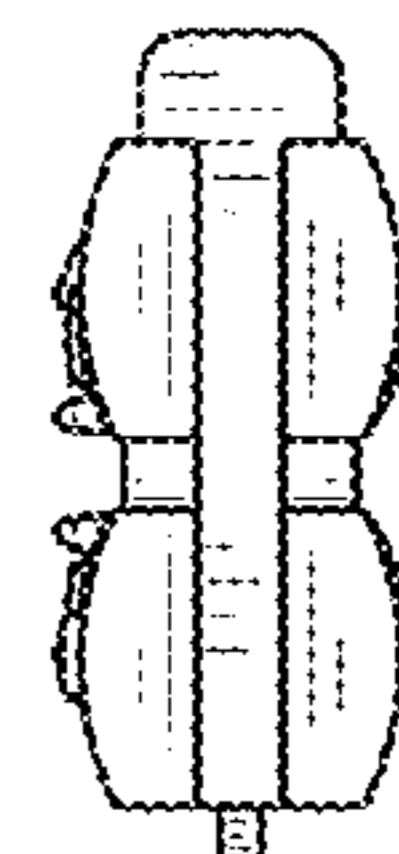


FIG. 5

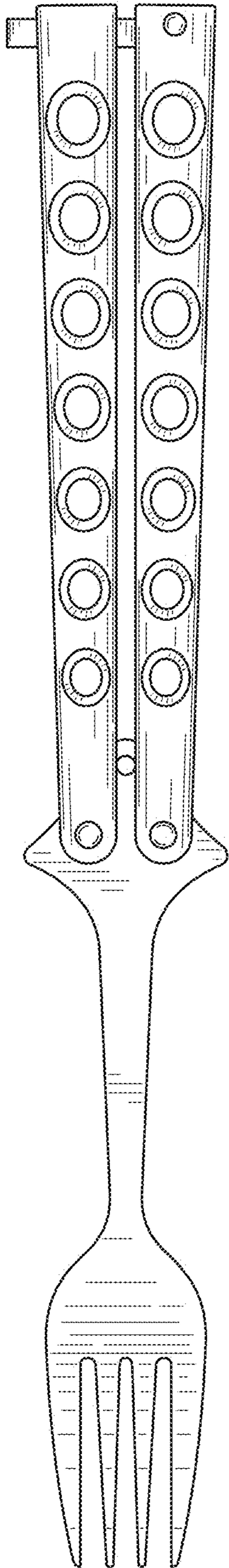


FIG. 6

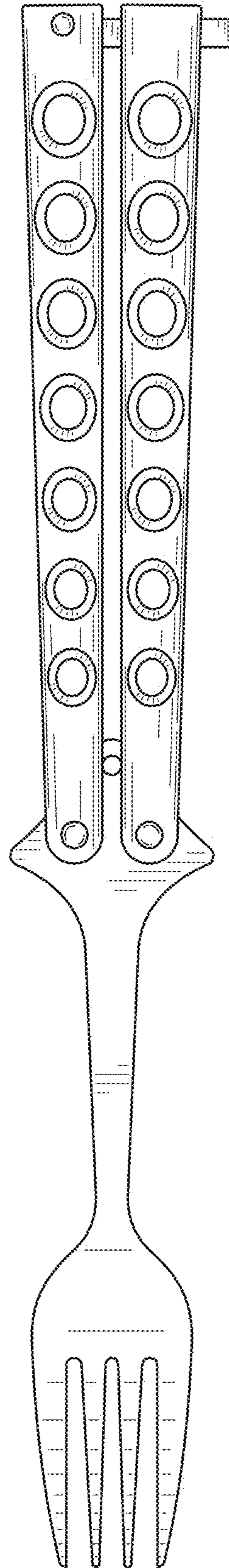


FIG. 7