



US00D727689S

(12) **United States Design Patent**
Wampold

(10) **Patent No.:** **US D727,689 S**

(45) **Date of Patent:** **** Apr. 28, 2015**

(54) **DRINK HOLDER**

(71) Applicant: **Steve Wampold**, Marlborough, CT (US)

(72) Inventor: **Steve Wampold**, Marlborough, CT (US)

(73) Assignee: **Steve Wampold**, Marlborough, CT (US)

(**) Term: **14 Years**

(21) Appl. No.: **29/482,915**

(22) Filed: **Feb. 24, 2014**

(51) **LOC (10) Cl.** **07-01**

(52) **U.S. Cl.**

USPC **D7/625**; D7/606

(58) **Field of Classification Search**

CPC ... F25D 31/007; F25D 3/06; F25D 2331/805;
F25D 27/00

USPC D7/605–608, 604, 514, 509, 619.2,
D7/625; D16/216–219; 220/902, 903,
220/592.16, 592.2, 592.17, 592.24,
220/737–741; 62/457.1–457.9; 215/12.1,
215/12.2, 13.1, 392–396; 248/311.2;
211/74, 71.01; 206/457

See application file for complete search history.

(56) **References Cited**

U.S. PATENT DOCUMENTS

4,344,303	A *	8/1982	Kelly, Jr.	62/530
4,540,611	A *	9/1985	Henderson	428/12
D514,884	S *	2/2006	Smith et al.	D7/509
2010/0051498	A1 *	3/2010	Tsai	206/521
2012/0193366	A1 *	8/2012	Miller	220/592.17

* cited by examiner

Primary Examiner — Terry Wallace

(74) *Attorney, Agent, or Firm* — Bachman & LaPointe, P.C.

(57) **CLAIM**

The ornamental design for a drink holder, as shown and described.

DESCRIPTION

FIG. 1 is a top front perspective view of a drink holder showing my new design thereof;

FIG. 2 is a front view of the drink holder of FIG. 1;

FIG. 3 is a left side view of the drink holder of FIG. 1;

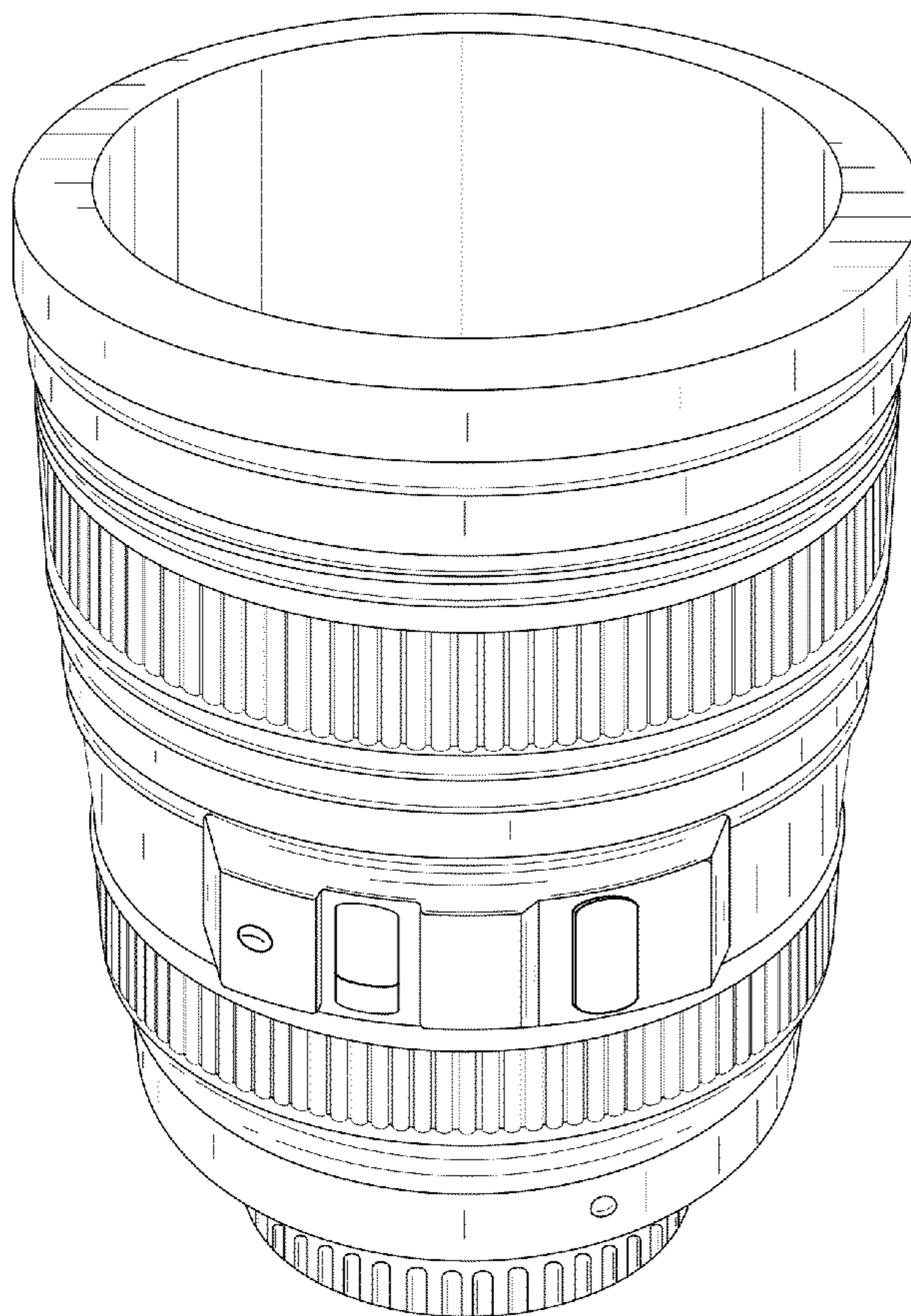
FIG. 4 is a right side view of the drink holder of FIG. 1;

FIG. 5 is a rear view of the drink holder of FIG. 1;

FIG. 6 is a top view of the drink holder of FIG. 1; and,

FIG. 7 is a bottom view of the drink holder of FIG. 1.

1 Claim, 7 Drawing Sheets



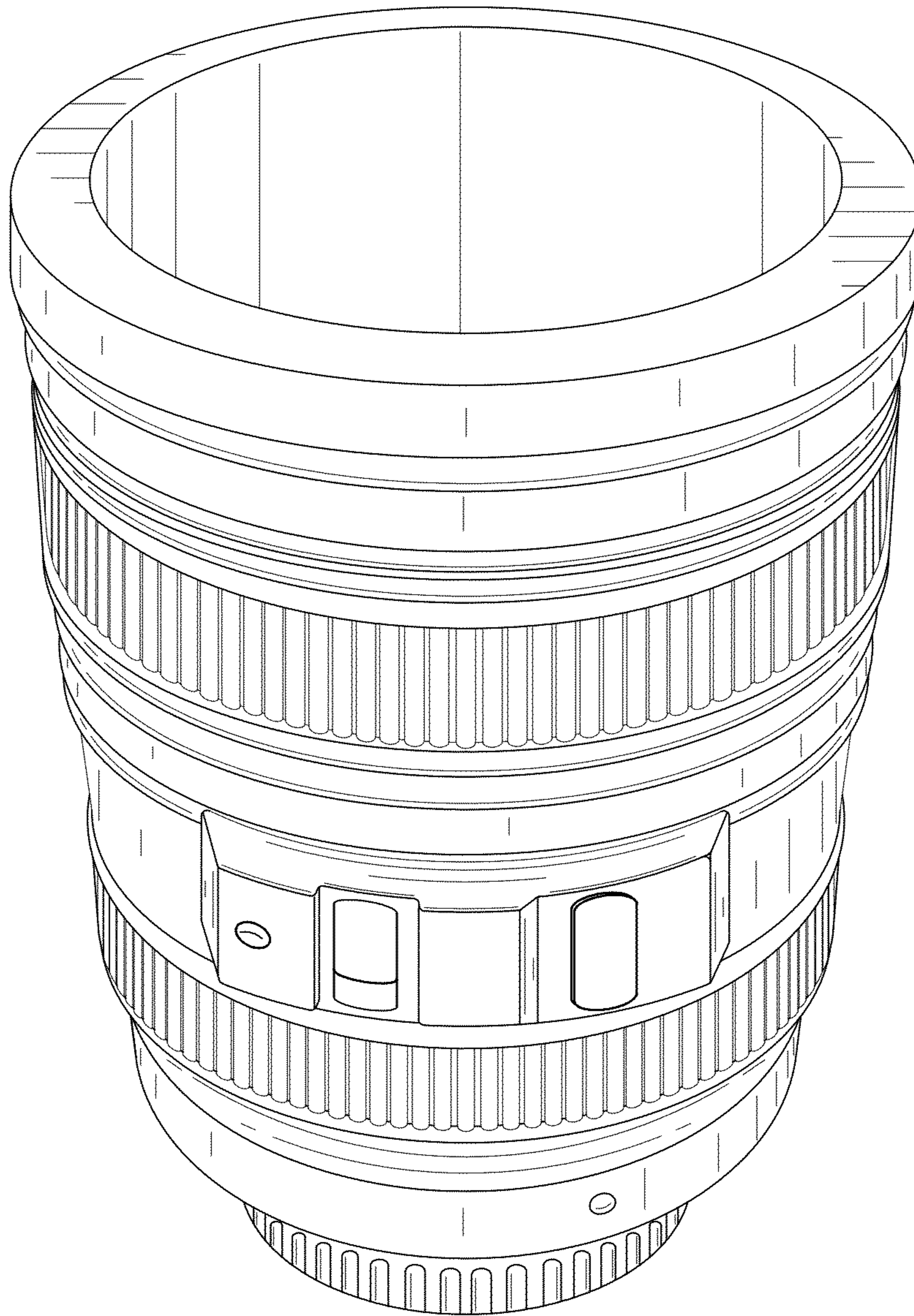


FIG. 1

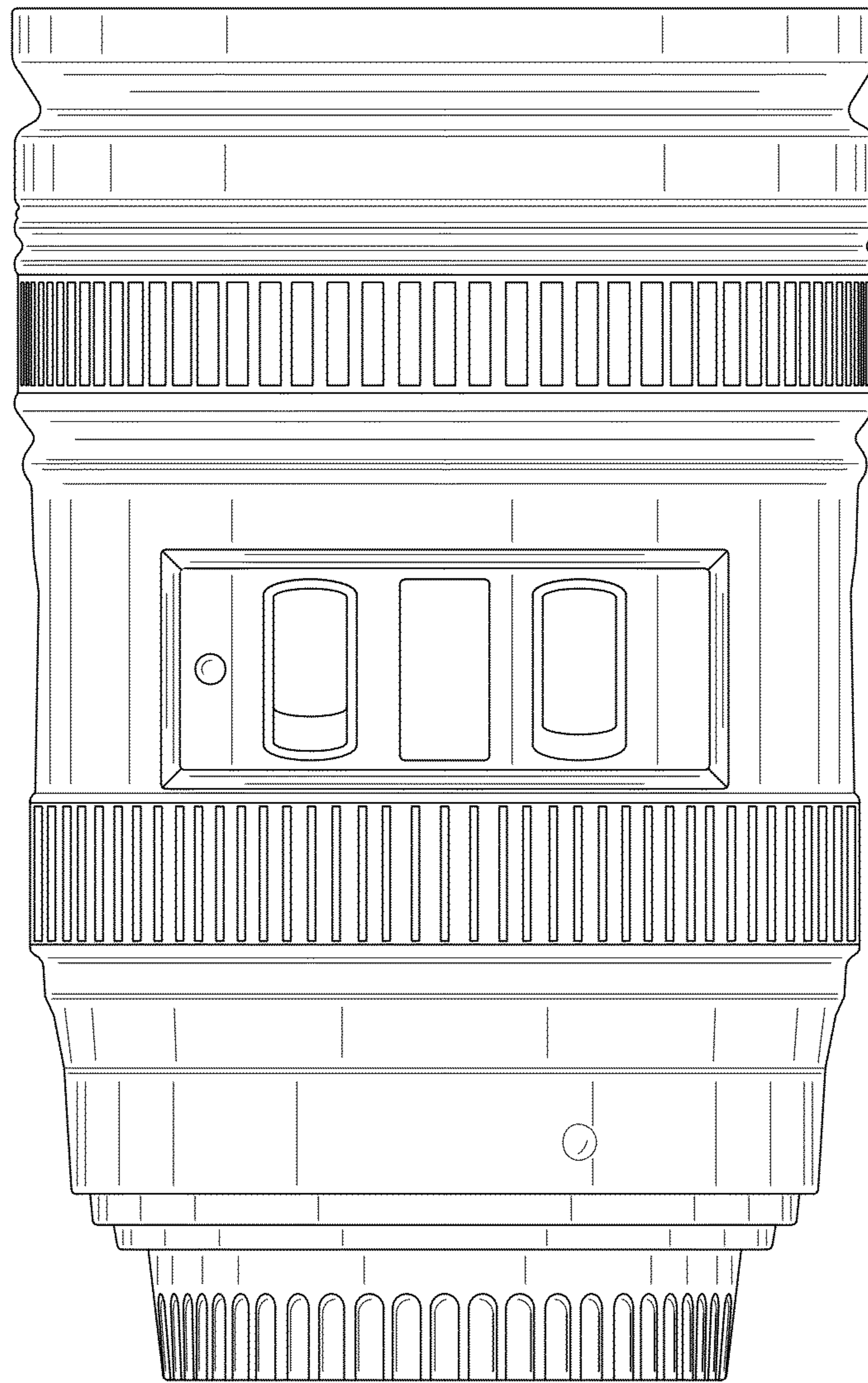


FIG. 2

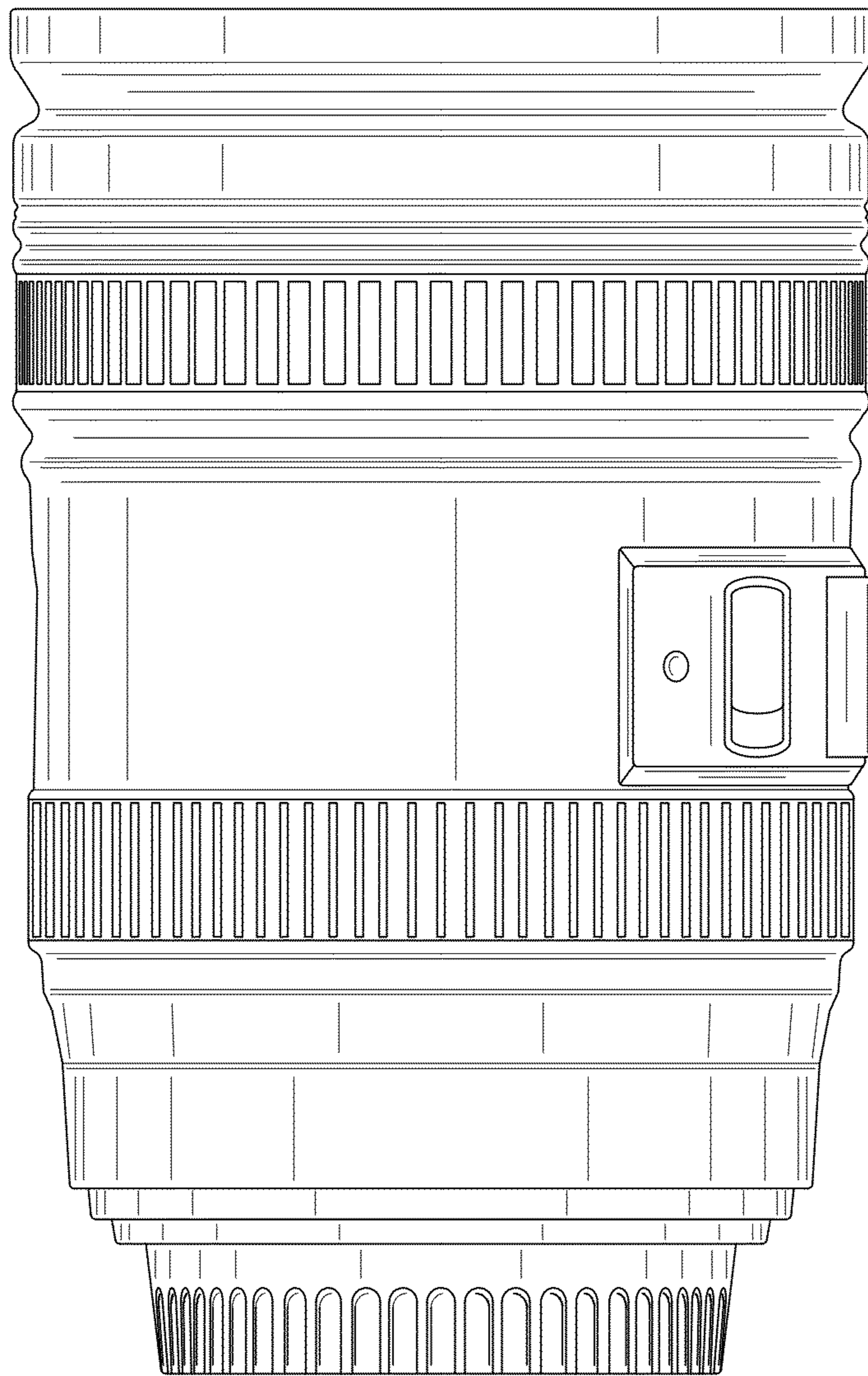


FIG. 3

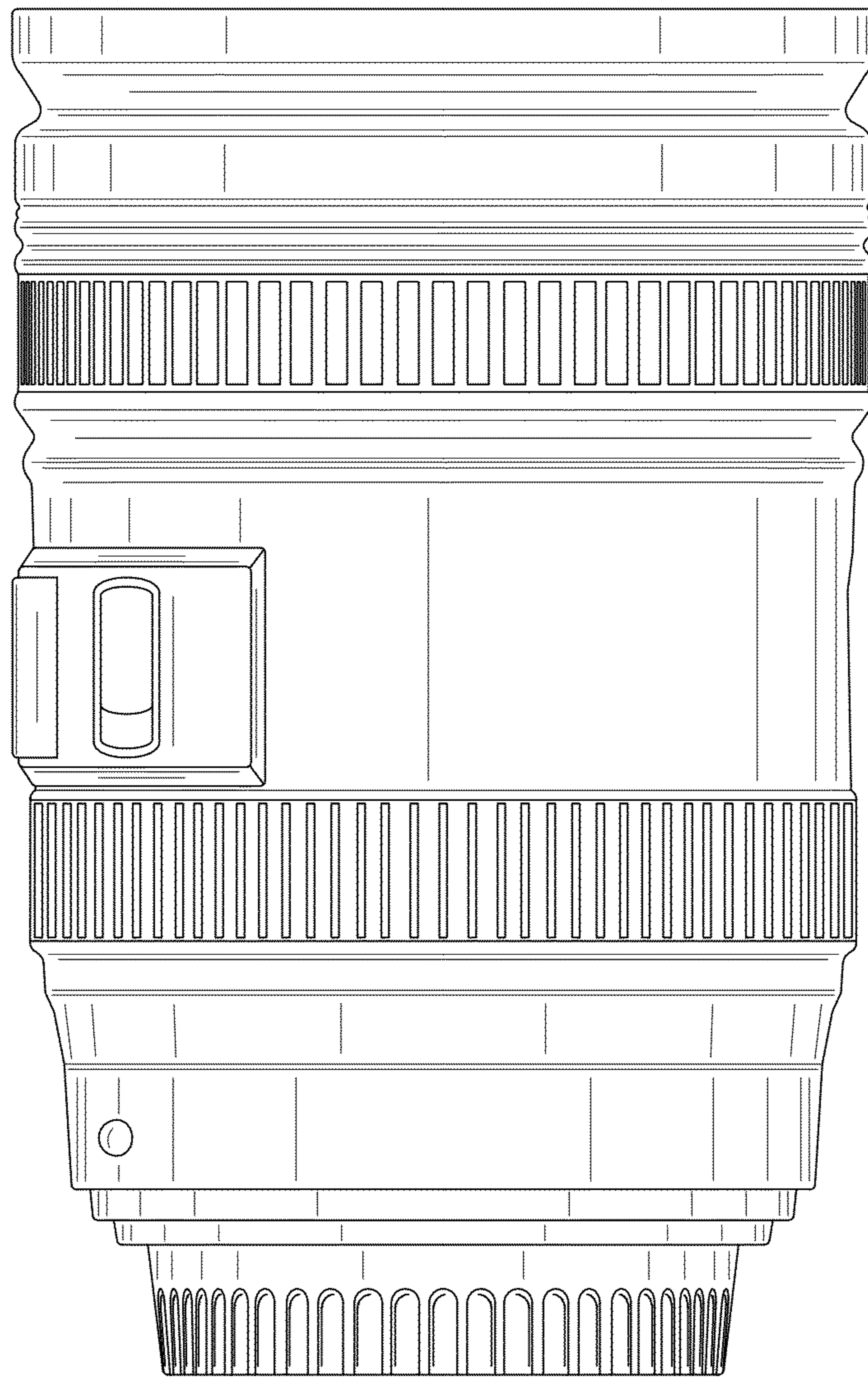


FIG. 4

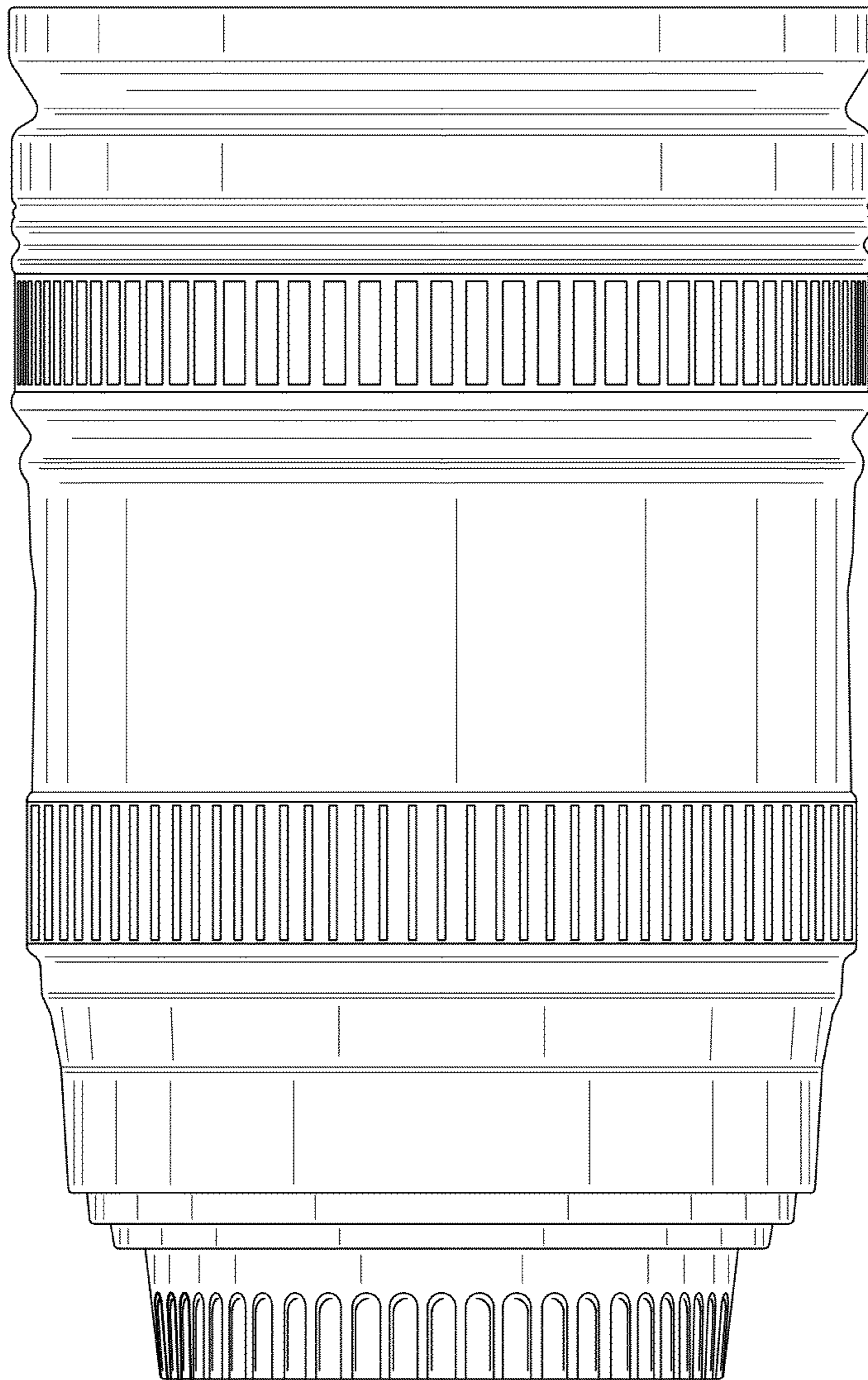


FIG. 5

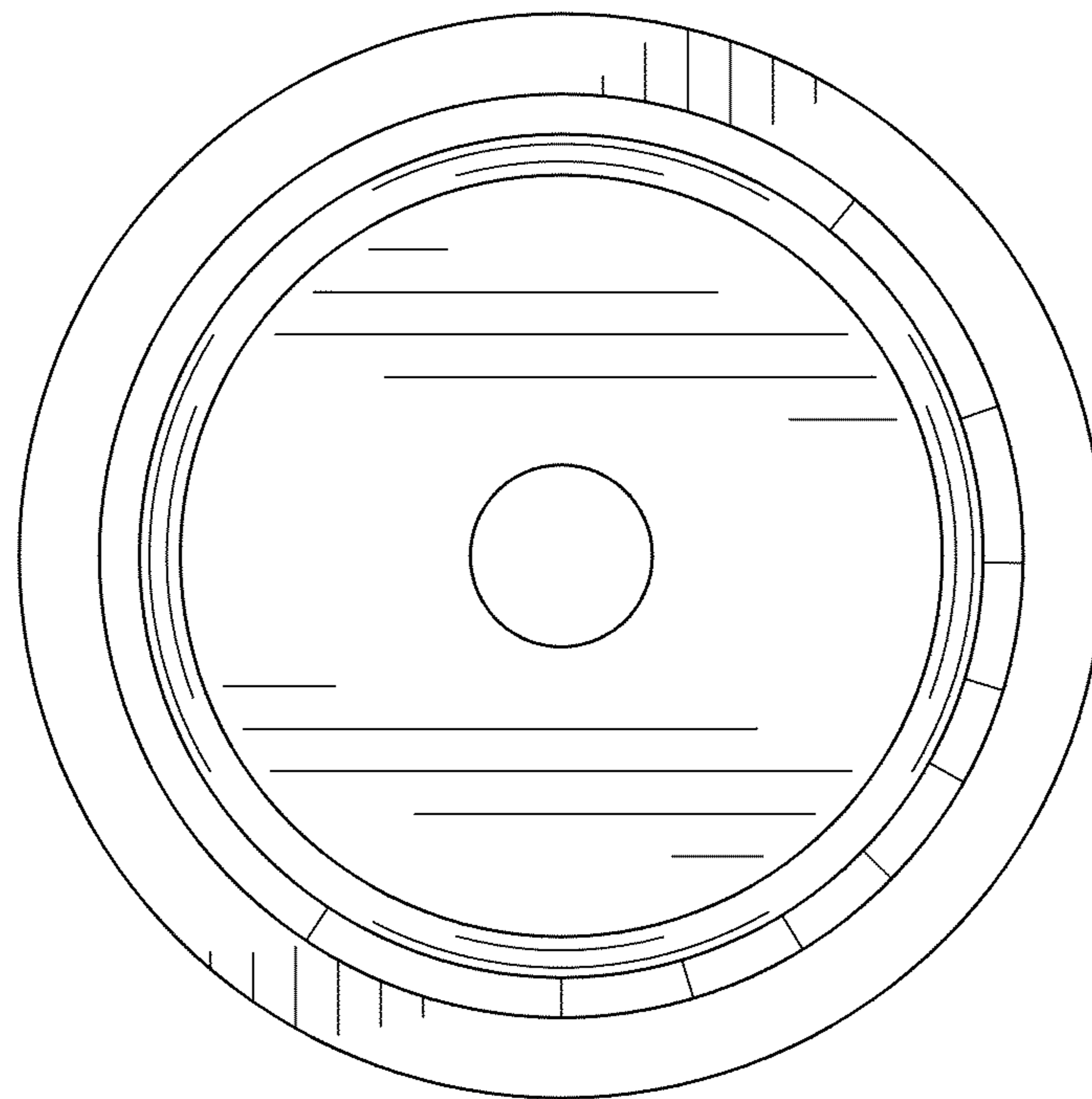


FIG. 6

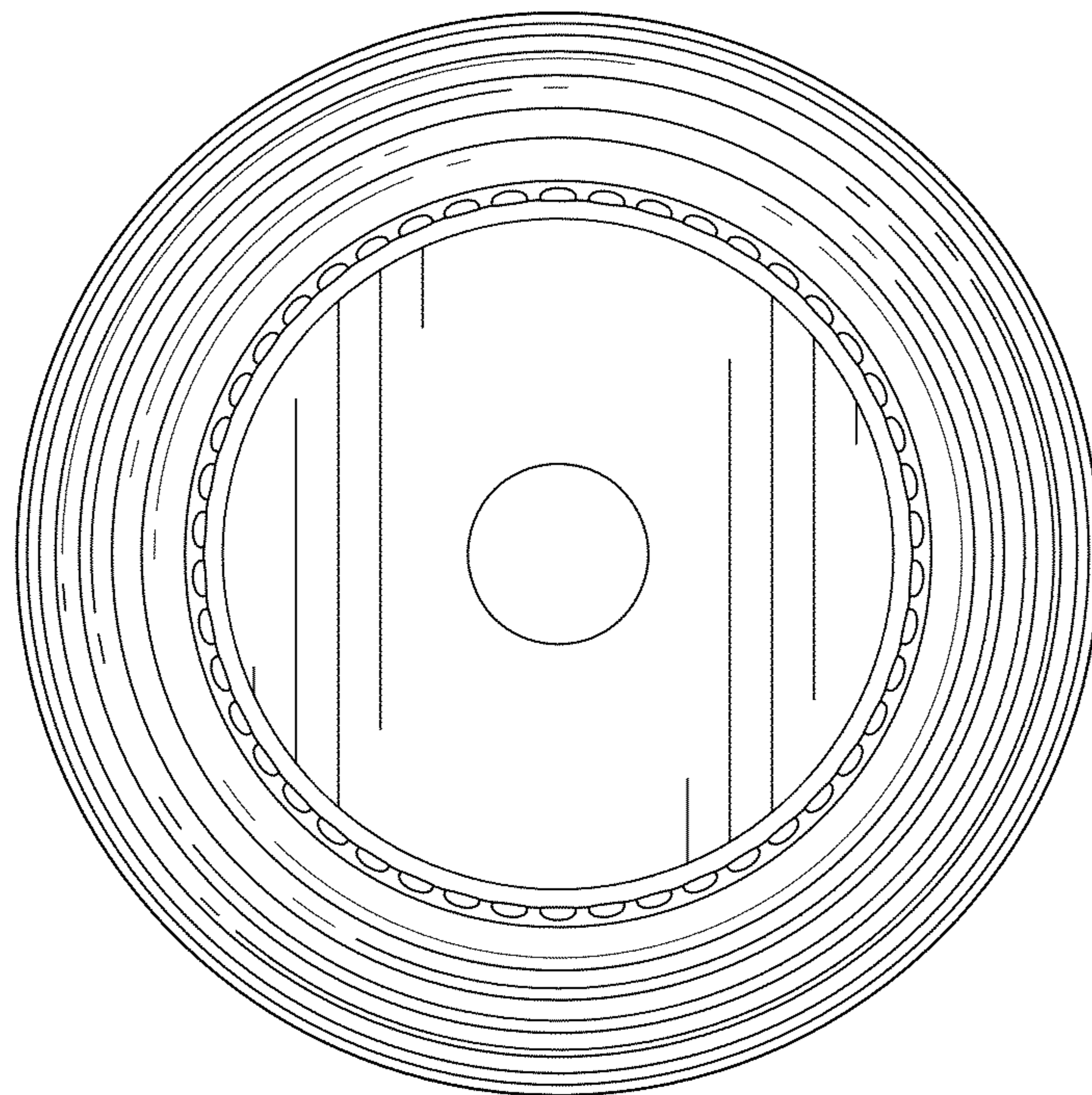


FIG. 7